

### Destinatar

Firma  
Referinta  
Adresa  
Phone  
Fax  
E-mail

### Expeditior

#### Cod articol :

60195100

#### Customer pos. no.:

#### Articol:

1 ESYBOX MAX 85/120 T

#### Date pompa

Presiune nominala: 1200 kPa  
Constant pressure range : 100 - 1200 kPa (300 kPa by default)  
Temperatura min. fluid 0 °C  
Temperatura max. fluid 50 °C  
Temperatura max. ambienta 55 °C

#### Date de functionare cerute

Debit :  
Înaltime de pompare :  
Fluid pompat : Apă  
Temperatura fluid: 20 °C  
Densitate 998.3 kg/m³  
Vasozitate cinematica: 1.005 mm²/s  
Presiune de vapori: 2.34 kPa

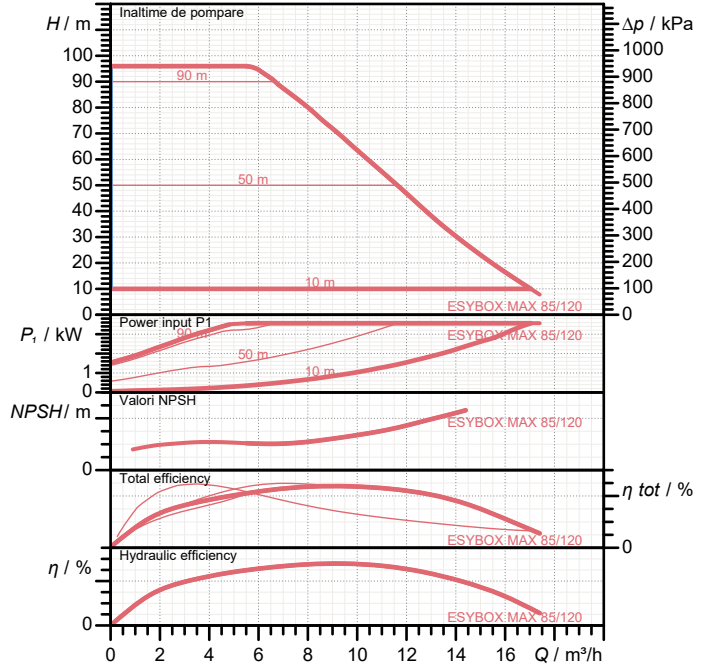
#### Materiale

Fitting Technopolymer PA66 30%GF  
Manifold Otel inox AISI 304  
Flange Technopolymer PA66 30%GF  
Corp pompa Technopolymer PA66 30%GF  
Pump body ring Technopolymer PP 30%GF  
Rotor Technopolymer PP 30%GF/AISI 304  
Difuzor Technopolymer PP 30%GF/AISI 304  
Motor axis Otel inox AISI 303  
Garnitura OR EPDM  
Motor flange Technopolymer PA66 30%GF  
Etansare mecanica Impregnated carbon-resin/Silicon carbide/EPDM  
Motor liner Otel inox AISI 304  
Corp motor Technopolymer PA66 30%GF  
Conveyor tube Technopolymer PP 30%GF  
Pressure sensor Nylon/EPDM  
Non-return valve POM/EPDM/AISI 302  
Non-return valve body Technopolymer PA66 30%GF  
Tank Noryl/Rubber  
Delivery body Technopolymer PA66 30%GF  
Outer liner Otel inox AISI 304

#### Date motor

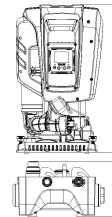
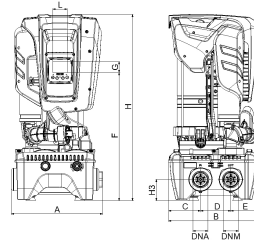
Putere absorbita P1 1 x 3.5 kW  
Maximum speed : 5350 1/min  
Tensiune nominala : 3~ 380-460 V 50 Hz  
Curent nominal : 1 x 5.5 A  
Grad de protecție: IP X5

#### Curve tolerance according to ISO 9906



#### Date disponibile:

Debit :  
Înaltime de pompare :



#### Dimensiuni de gabarit mm

A	375	E	127.7	H3	87
B	384	F	526	L	59.5
C	131.8	G	45		
D	124.5	H	766		
DNA	1"1/4 - 2"	H1	613		
DNM	1"1/4 - 2"	H2	228		

Masa 39 kg

#### Racorduri pompa:

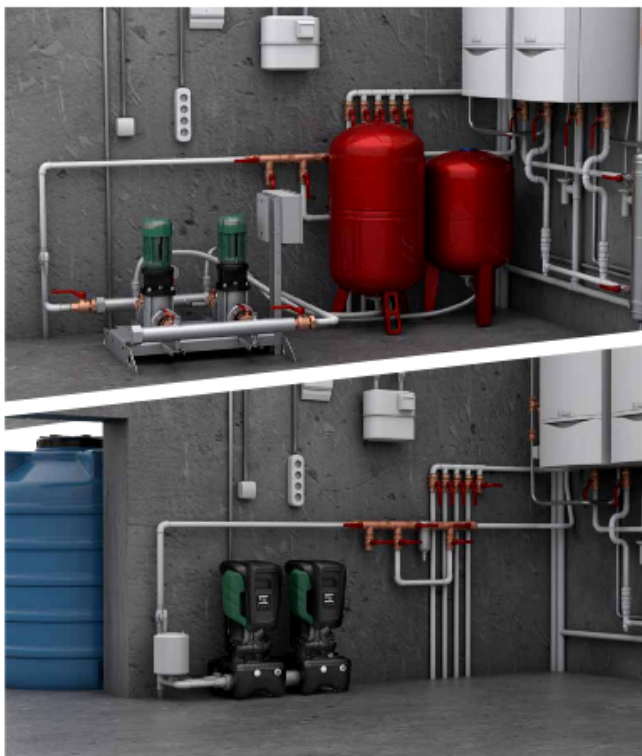
Partea cu aspiratia: 1"1/4 - 2" G / 1200 kPa  
Partea cu refularea: 1"1/4 - 2" G / 1200 kPa

# ENERGY SAVING

BEFORE

AFTER

- **20%**  
Compared with  
traditional inverter pump



**D+CONNECT**  
BUILT-IN



As quick as a "click"





# CURBELOR CARACTERISTICE

01/15/2024

Pagina 3 / 4

DAB PUMPS S.p.A.  
Via Marco Polo, 14 - 35035 Mestrino (PD), Italy  
Tel. +39 049 5125000 - Fax +39 049 5125950  
www.dabpumps.com

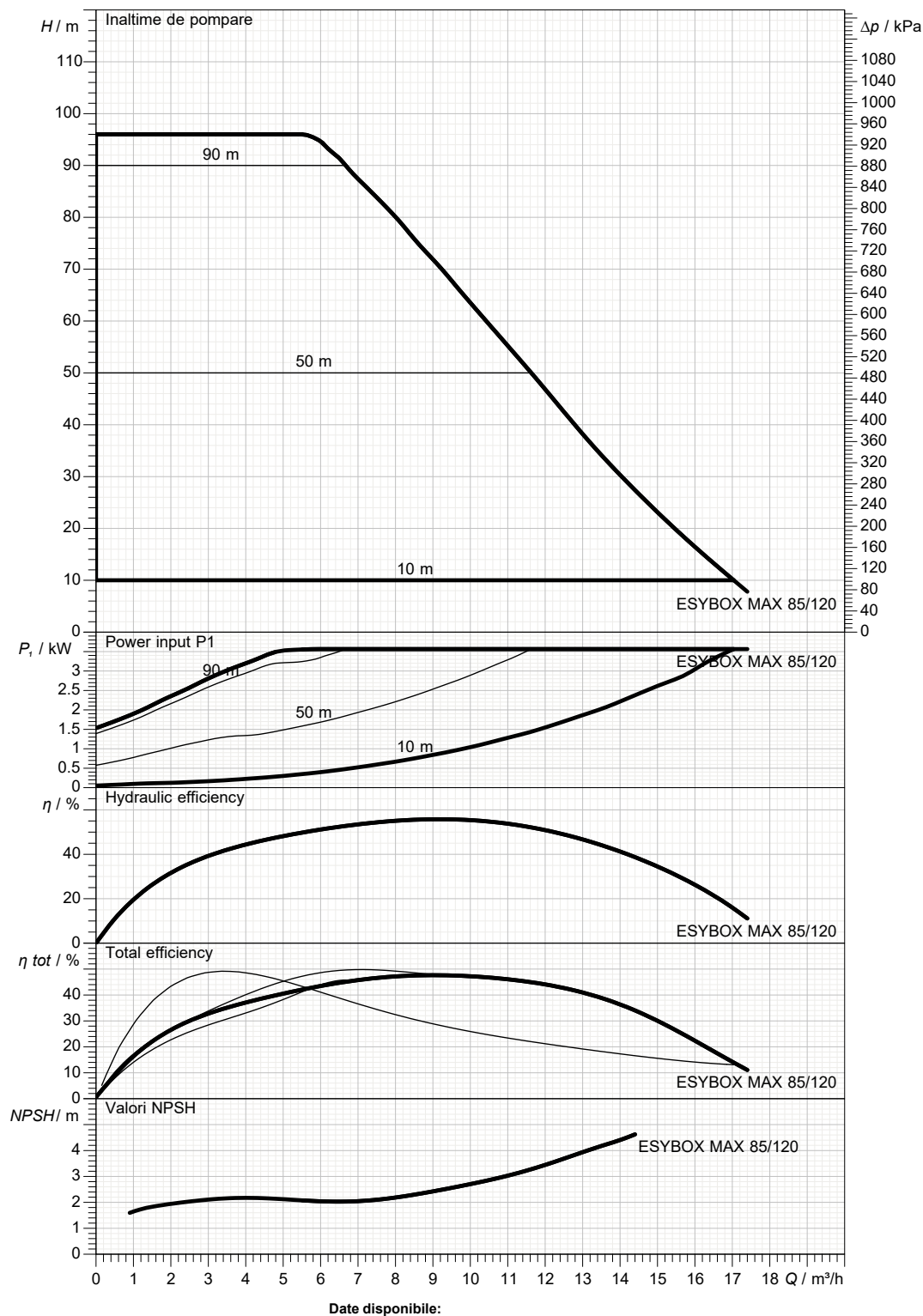
Destinatar

Expedito

Firma  
Referinta  
Adresa  
Phone  
Fax  
E-mail

## 1 ESYBOX MAX 85/120 T

Curve tolerance according to ISO 9906



Date disponibile:

Partea cu aspiratia:  
1"1/4 - 2" G  
1200 kPa

Partea cu refularea:  
1"1/4 - 2" G  
1200 kPa

Debit :

Înaltime de pompare :

Viteza nominala:  
5350 1/min

MAIN\_PROJECT\_TITLE

BUSINESS\_PROCESS\_ID

OWNER\_

ISSUE\_DATE

01/15/2024



# DESEN DIMENSIONAL

01/15/2024

Pagina 4 / 4

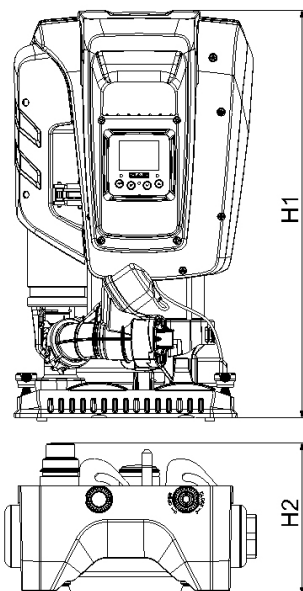
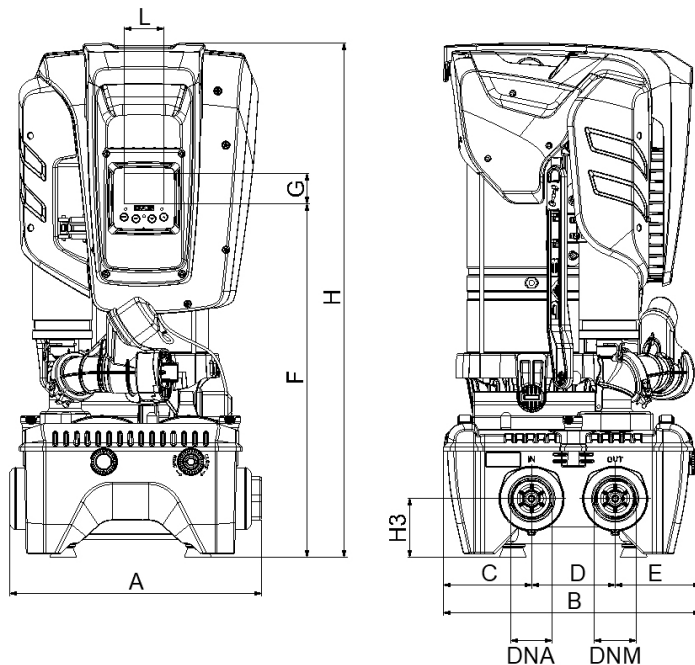
DAB PUMPS S.p.A.  
Via Marco Polo, 14 - 35035 Mestrino (PD), Italy  
Tel. +39 049 5125000 - Fax +39 049 5125950  
www.dabpumps.com

Destinatar

Expeditor

Firma  
Referinta  
Adresa  
Phone  
Fax  
E-mail

## 1 ESYBOX MAX 85/120 T



Dimensiuni in mm

Racorduri pompa:

1	A	375	H2	228			
2	B	384	H3	87			Aspiratie
3	C	131.8	L	59.5			1"1/4 - 2" G
4	D	124.5					1200 kPa
5	DNA	1"1/4 - 2"					Refulare
6	DNM	1"1/4 - 2"					1"1/4 - 2" G
7	E	127.7					1200 kPa
8	F	526					
9	G	45					
10	H	766					
11	H1	613					

MAIN\_PROJECT\_TITLE

BUSINESS\_PROCESS\_ID

OWNER

ISSUE\_DATE

01/15/2024