

### Destinatar

Firma  
Referinta  
Adresa  
Phone  
Fax  
E-mail

### Expeditior

**Cod articol :**  
60169944

**Customer pos. no.:**

**Articol:**

2 NKP-G 50-200/210 + KVCX 65/80 IE3

**Date pompa**

MEI  $\geq 0,50$

Diametru rotor: 210 mm

Presiune nominala: 1000 kPa

Temperatura min. fluid 0 °C

Temperatura max. fluid 40 °C

Temperatura max. ambienta 40 °C

**Date de functionare cerute**

Debit :

Înaltime de pompare :

Fluid pompat : Apă

Temperatura fluid: 20 °C

Densitate 998.3 kg/m<sup>3</sup>

Vascozitate cinematica: 1.005 mm<sup>2</sup>/s

Presiune de vapori: 2.34 kPa

**Date disponibile:**

Debit :

Înaltime de pompare :

**Materiale**

Corp pompa Fonta 200 UNI ISO 185

Suport Fonta 200 UNI ISO 185

Rotor Fonta 200 UNI ISO 185

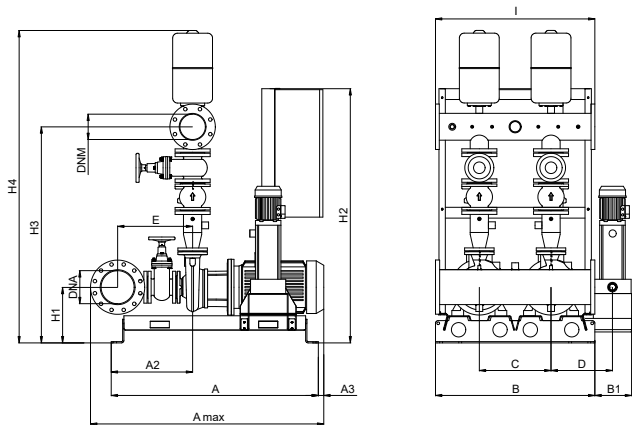
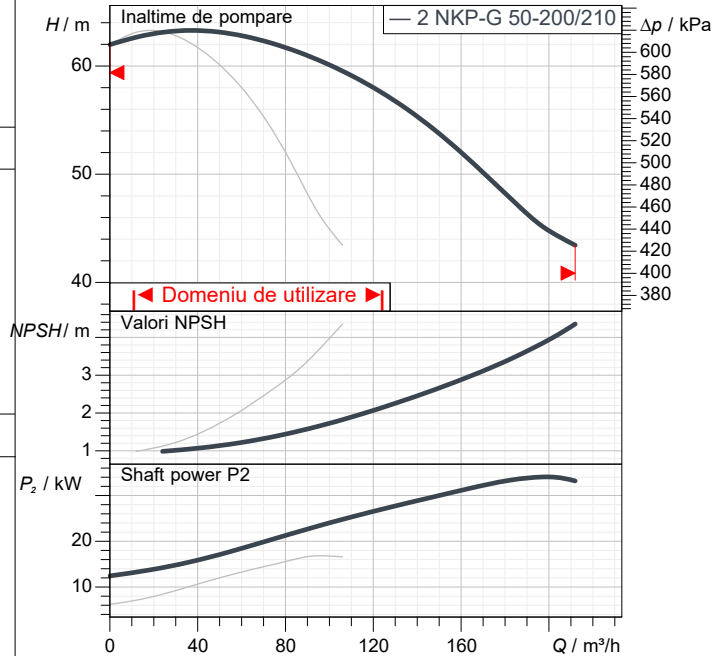
Etansare mecanica SEE "SHAFT SEAL" SECTION

Garnitura OR Etilen propilen EPDM

Arbore pompa AISI 304 - UNI 6900/71

Suction and discharge manifolds Galvanized steel

**Curve tolerance according to ISO 9906**



WITHOUT the jockey pump, do not consider B1 and D.

**Masa** 0 kg

**Date motor**

Marca :

Putere nominala P2: 2 x 18.5 kW

Viteza nominala: 2950 1/min

Tensiune nominala : 3~ 400 V 50 Hz

Curent nominal : 2 x 33 A

Grad de protecție: IP 55

**Dimensiuni de gabarit mm**

A	1300	H4	1835
A2	579	I	1000
Amax	1290		
B	1000		
B1	259		
C	450		
D	398		
DNA	DN 150		
DNM	DN 125		
E	435		
H1	350		
H2	1600		
H3	1245		

**Racorduri pompa:**

Partea cu aspiratia: DN 150 / 1000 kPa

Partea cu refularea: DN 125 / 1000 kPa

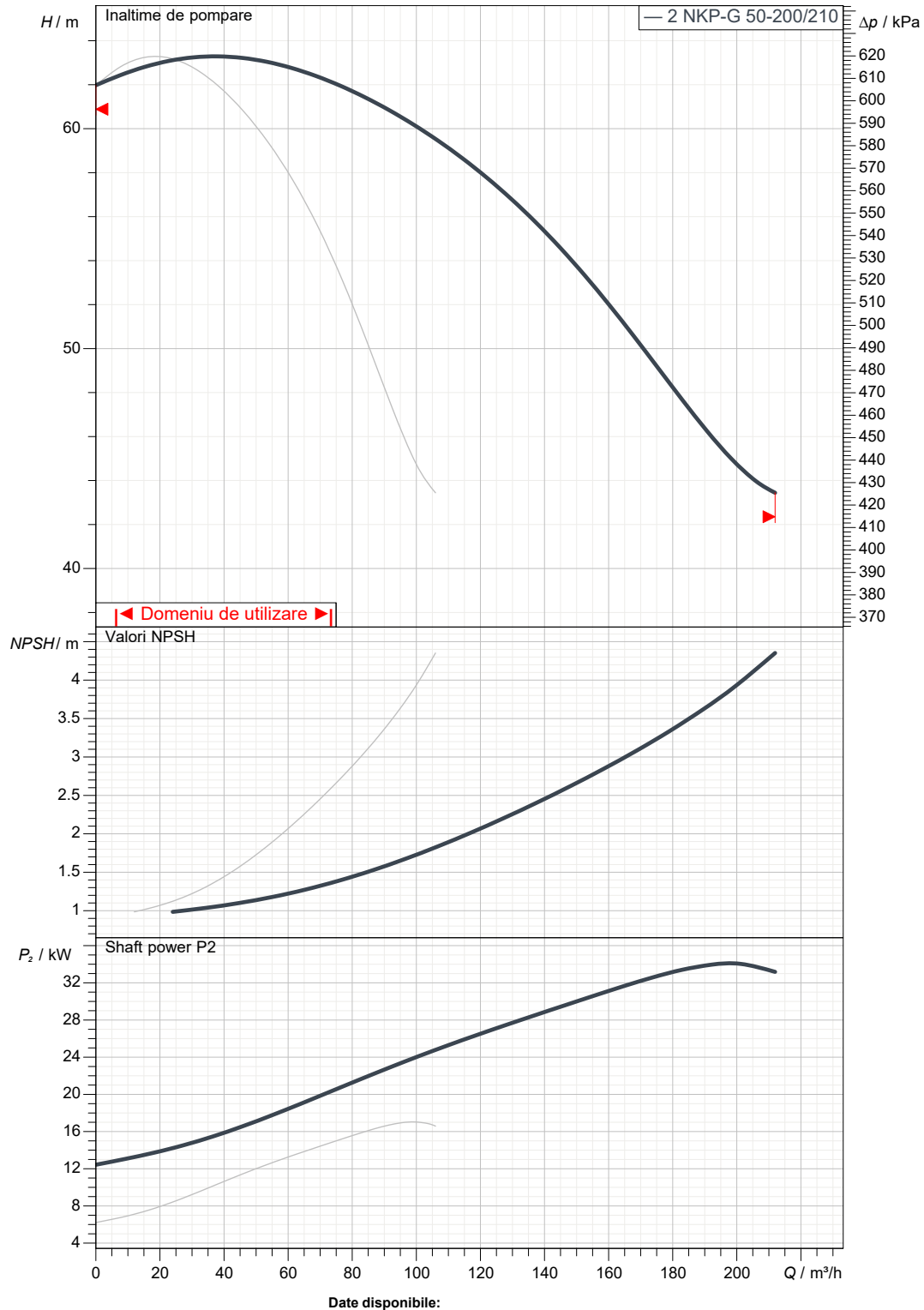
Destinatari

Expeditor

 Firma  
 Referinta  
 Adresa  
 Phone  
 Fax  
 E-mail

## 2 NKP-G 50-200/210 + KVCX 65/80 IE3

Curve tolerance according to ISO 9906


 Partea cu aspiratia:  
 DN 150  
 1000 kPa

 Partea cu refularea:  
 DN 125  
 1000 kPa

Debit :

Înaltime de pompare :

 Viteza nominala:  
 2950 1/min

Oferta

ID oferta

Creat de

Creat

04/09/2024



# DESEN DIMENSIONAL

04/09/2024

Pagina 3 / 3

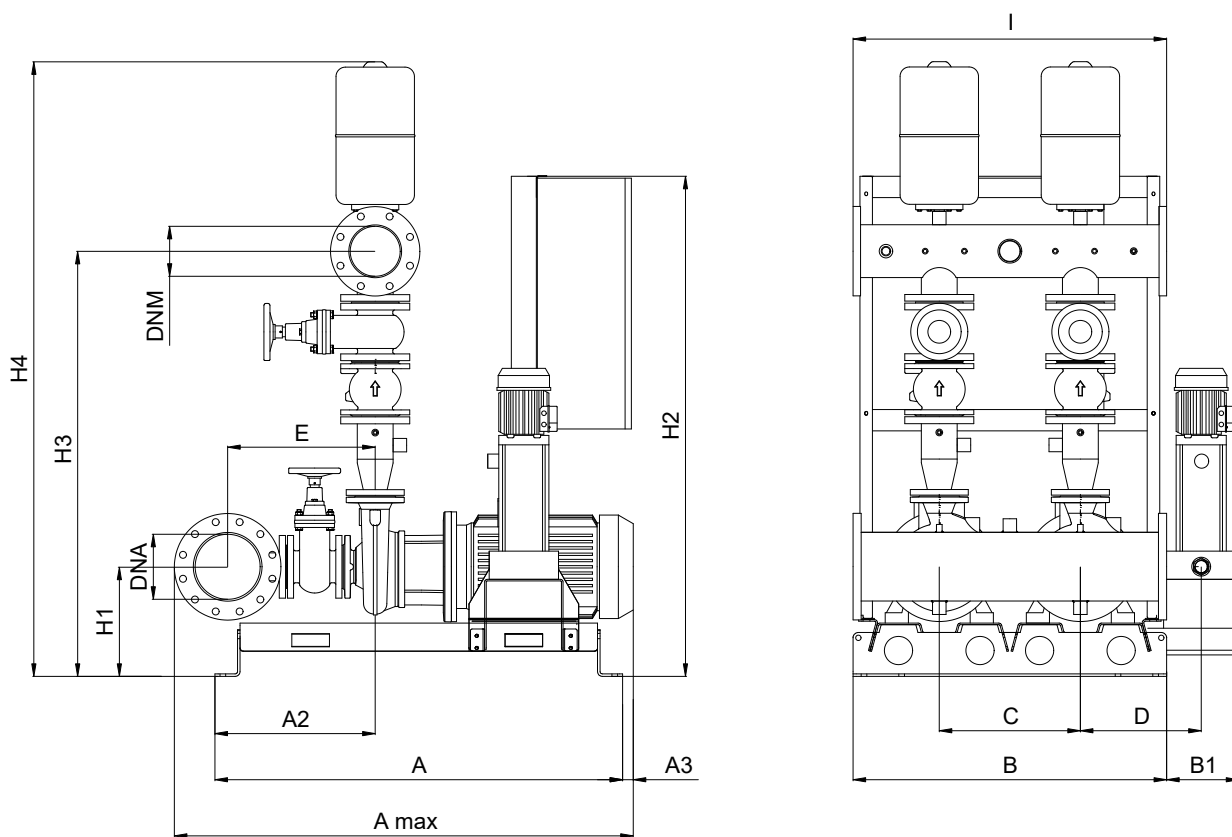
DAB PUMPS S.p.A.  
Via Marco Polo, 14 - 35035 Mestrino (PD), Italy  
Tel. +39 049 5125000 - Fax +39 049 5125950  
www.dabpumps.com

Destinatar

Expeditor

Firma  
Referinta  
Adresa  
Phone  
Fax  
E-mail

## 2 NKP-G 50-200/210 + KVCX 65/80 IE3



WITHOUT the jockey pump, do not consider B1 and D.

**Dimensiuni in mm**

**Racorduri pompa:**

1	A	1300	H3	1245			
2	A2	579	H4	1835			
3	Amax	1290	I	1000			
4	B	1000					Aspiratie
5	B1	259					DN 150
6	C	450					1000 kPa
7	D	398					
8	DNA	DN 150					Refulare
9	DNM	DN 125					DN 125
10	E	435					1000 kPa
11	H1	350					
12	H2	1600					

MAIN_PROJECT_TITLE	BUSINESS_PROCESS_ID	OWNER	ISSUE_DATE 04/09/2024
--------------------	---------------------	-------	--------------------------