

Destinatar

Firma
Referinta
Adresa
Phone
Fax
E-mail

Expeditor

Cod articol :

60150995

Articol:

EVOPLUS B 100/450.100 M

Date pompa

Presiune nominala: 1600 kPa
Temperatura min. fluid -10 °C
Temperatura max. fluid 110 °C
EEI : ≤ 0,20

Presiune minima la nivelul apei:

Temperatura : °C 90 100
Presiune minima la nivelul apei: m 20 25

Date de functionare cerute

Debit :
Inaltime de pompare :
Fluid pompat (%) :
Temperatura fluid: 20 °C
Densitate 998.3 kg/m³
Vasozitate cinematica: 1.005 mm²/s
Presiune de vapori: 2.34 kPa

Date disponibile:

Debit :
Inaltime de pompare :

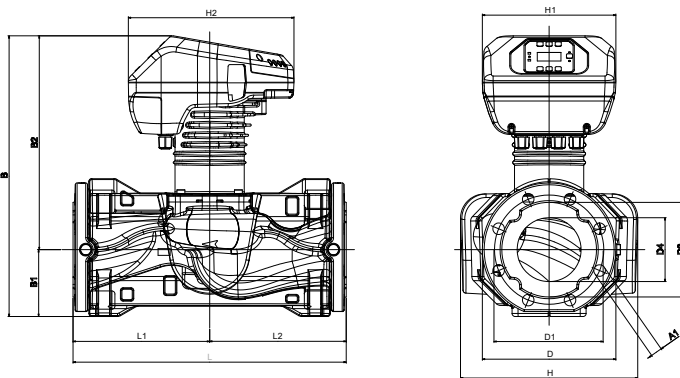
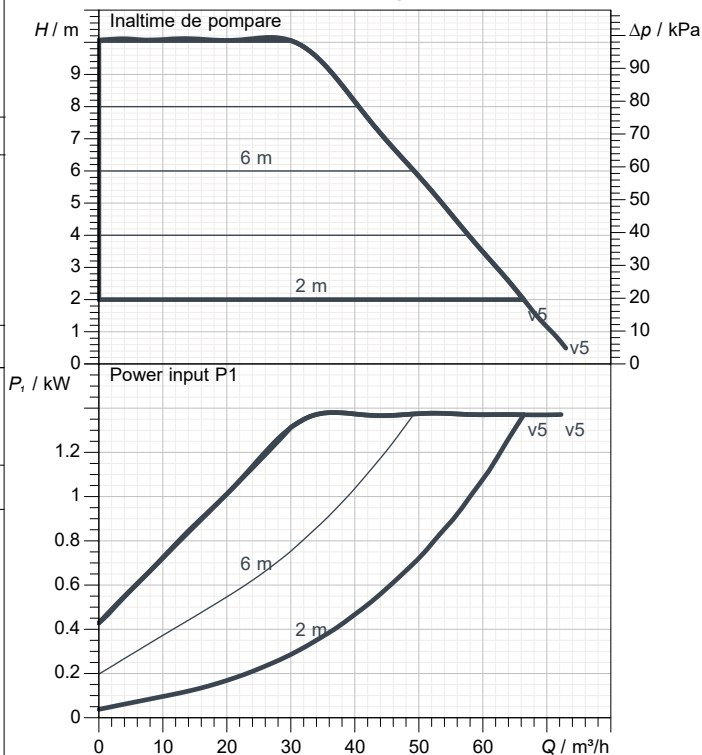
Materiale

Corp pompa Cast iron 250 UNI ISO 185 - CTF
Rotor Tecnopolimer
Arbore motor Otel inox
Inel de etansare EPDM
Carcasa motorului Aluminu turnat la cald
Flansa de inchidere Otel inox
Suport inel de echilibrare Otel inox

Date motor

Marca : DAB
Putere absorbita P1 1.38 kW
Tensiune nominala : 1~ 220-240 V 50 Hz
Curent nominal : 6 A
Grad de protectie: IP 44

Curve tolerance according to ISO 9906



Dimensiuni de gabarit mm

A1	19	D3	156	L1	225		
B	463	D4	105	L2	225		
B1	110	H	292				
B2	353	H1	220				
D	220	H2	273				
D1	180	L	450				

Masa 36.8 kg

Racorduri pompa:

Partea cu aspiratia: DN 100 / PN 6
Partea cu refularea: DN 100 / PN 6



CURBELOR CARACTERISTICE

07/22/2022

Pagina 2 / 3

DAB PUMPS S.p.A.
Via Marco Polo, 14 - 35035 Mestrino (PD), Italy
Tel. +39 049 5125000 - Fax +39 049 5125950
www.dabpumps.com

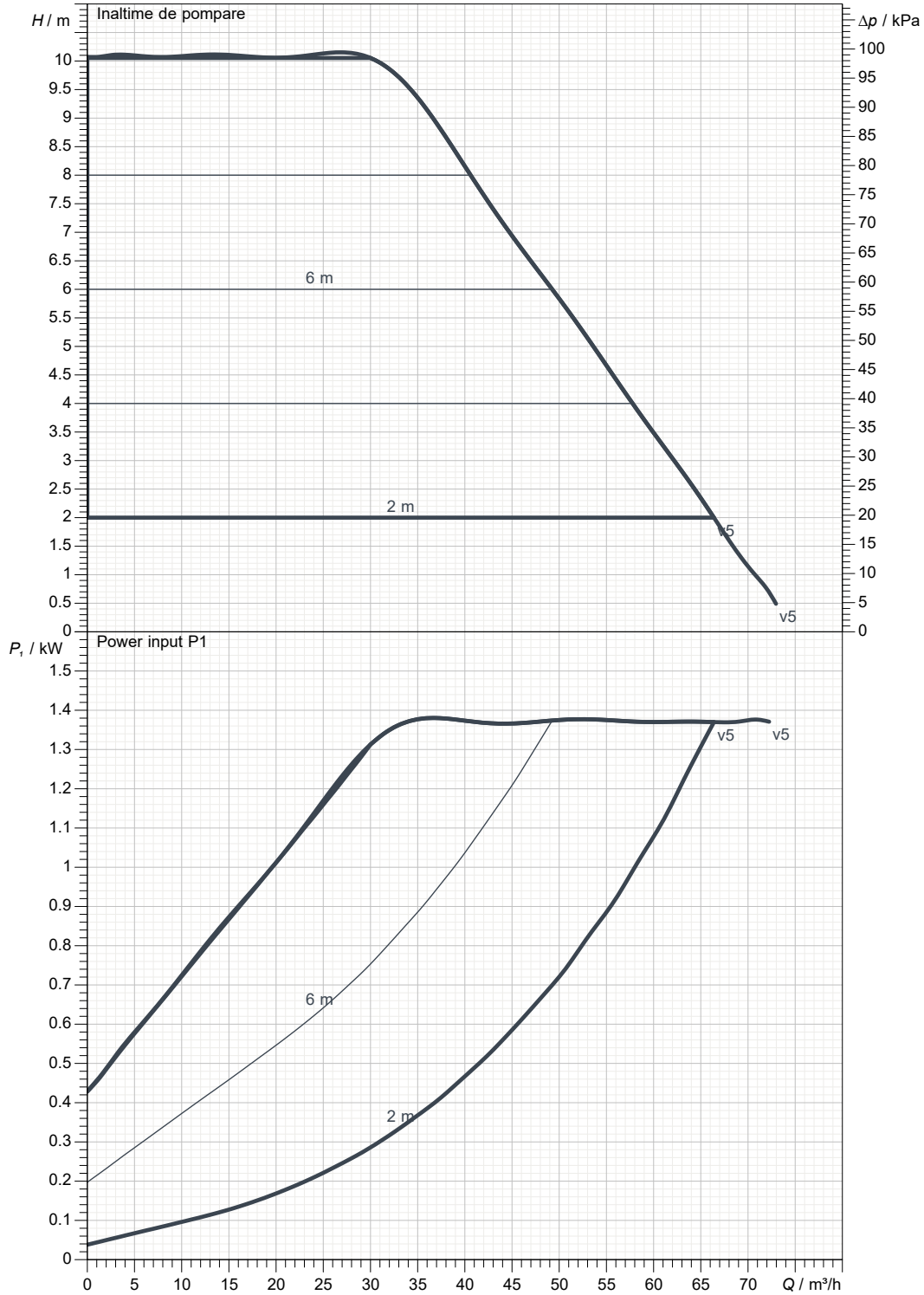
Destinatar

Expeditor

Firma
Referinta
Adresa
Phone
Fax
E-mail

EVOPLUS B 100/450.100 M

Curve tolerance according to ISO 9906



Date disponibile:

Partea cu aspiratia:
DN 100
PN 6

Partea cu refularea:
DN 100
PN 6

Debit :

Înăltime de pompare :

Viteza nominala:
2900 1/min

MAIN_PROJECT_TITLE

BUSINESS_PROCESS_ID

OWNER_

ISSUE_DATE

07/22/2022



DESEN DIMENSIONAL

07/22/2022

Pagina 3 / 3

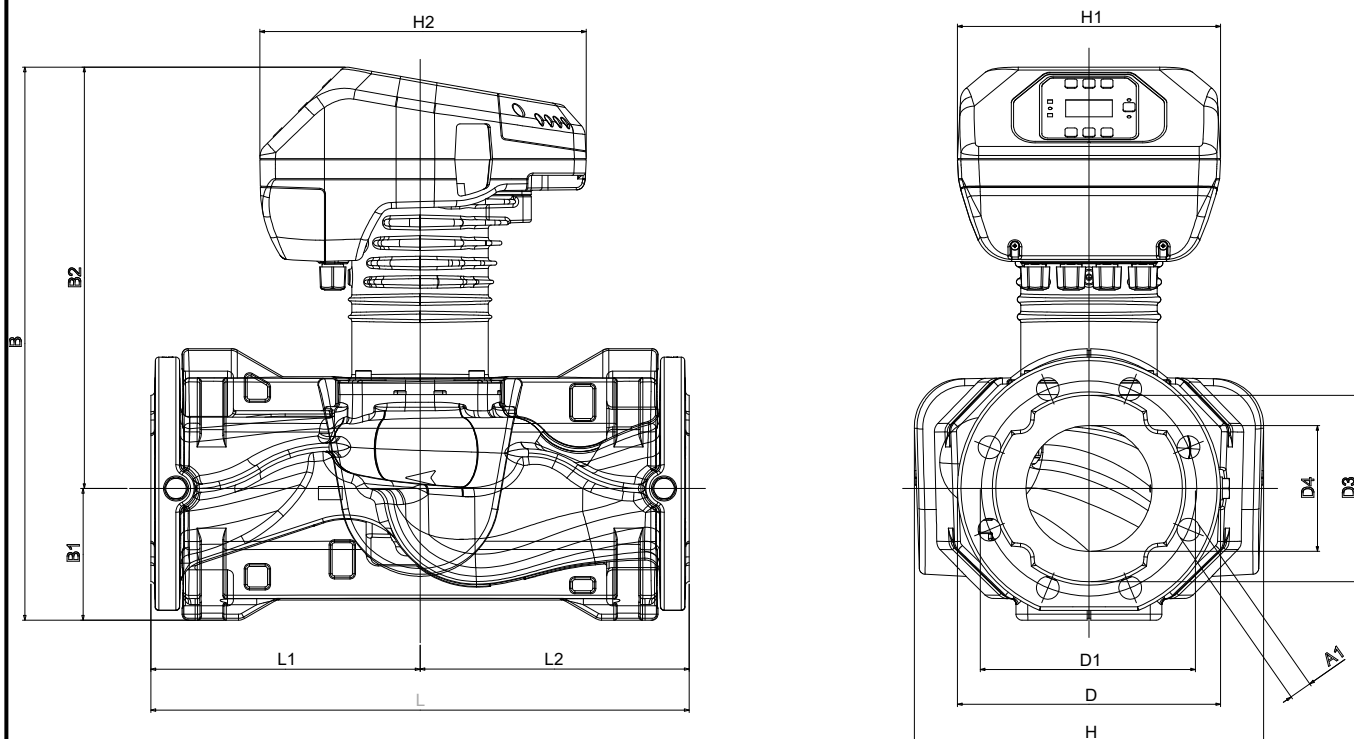
DAB PUMPS S.p.A.
Via Marco Polo, 14 - 35035 Mestrino (PD), Italy
Tel. +39 049 5125000 - Fax +39 049 5125950
www.dabpumps.com

Destinatar

Expeditor

Firma
Referinta
Adresa
Phone
Fax
E-mail

EVOPLUS B 100/450.100 M



Dimensiuni in mm

Racorduri pompa:

1	A1	19	L1	225			
2	B	463	L2	225			
3	B1	110					Aspiratie
4	B2	353					DN 100
5	D	220					PN 6
6	D1	180					
7	D3	156					Refulare
8	D4	105					DN 100
9	H	292					PN 6
10	H1	220					
11	H2	273					
12	L	450					

MAIN_PROJECT_TITLE	BUSINESS_PROCESS_ID	OWNER	ISSUE_DATE 07/22/2022
--------------------	---------------------	-------	--------------------------