



CURBELOR CARACTERISTICE

03/10/2023

Pagina 2 / 3

DAB PUMPS S.p.A.
Via Marco Polo, 14 - 35035 Mestrino (PD), Italy
Tel. +39 049 5125000 - Fax +39 049 5125950
www.dabpumps.com

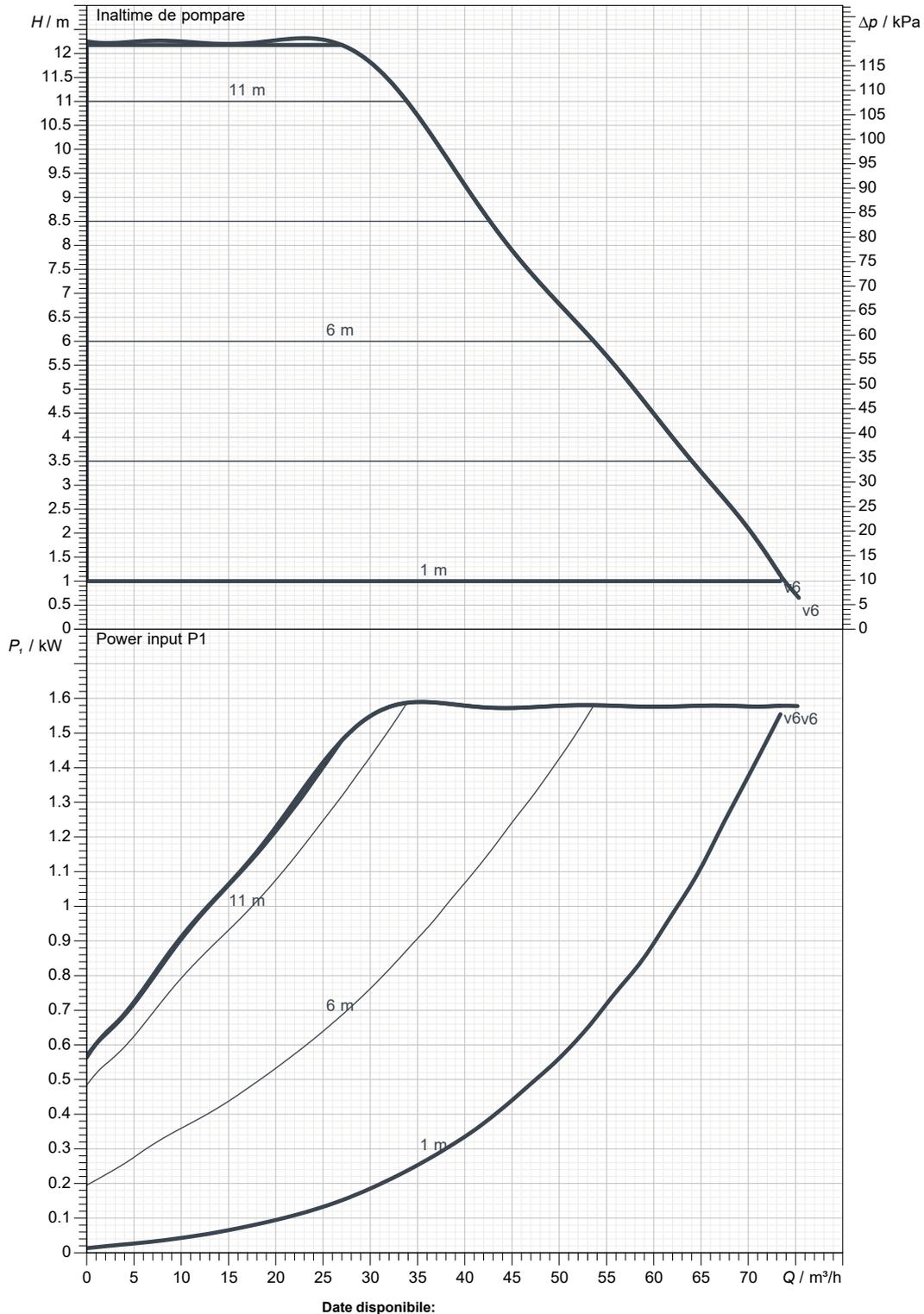
Destinatar

Expeditor

Firma
Referinta
Adresa
Phone
Fax
E-mail

EVOPLUS B 120/450.100 M

Curve tolerance according to ISO 9906



Partea cu aspiratia:
DN 100
PN 6

Partea cu refularea:
DN 100
PN 6

Debit :

Înaltime de pompare :

Viteza nominala:
2900 1/min

MAIN_PROJECT_TITLE

BUSINESS_PROCESS_ID

OWNER_

ISSUE_DATE

03/10/2023



DESEN DIMENSIONAL

03/10/2023

Pagina 3 / 3

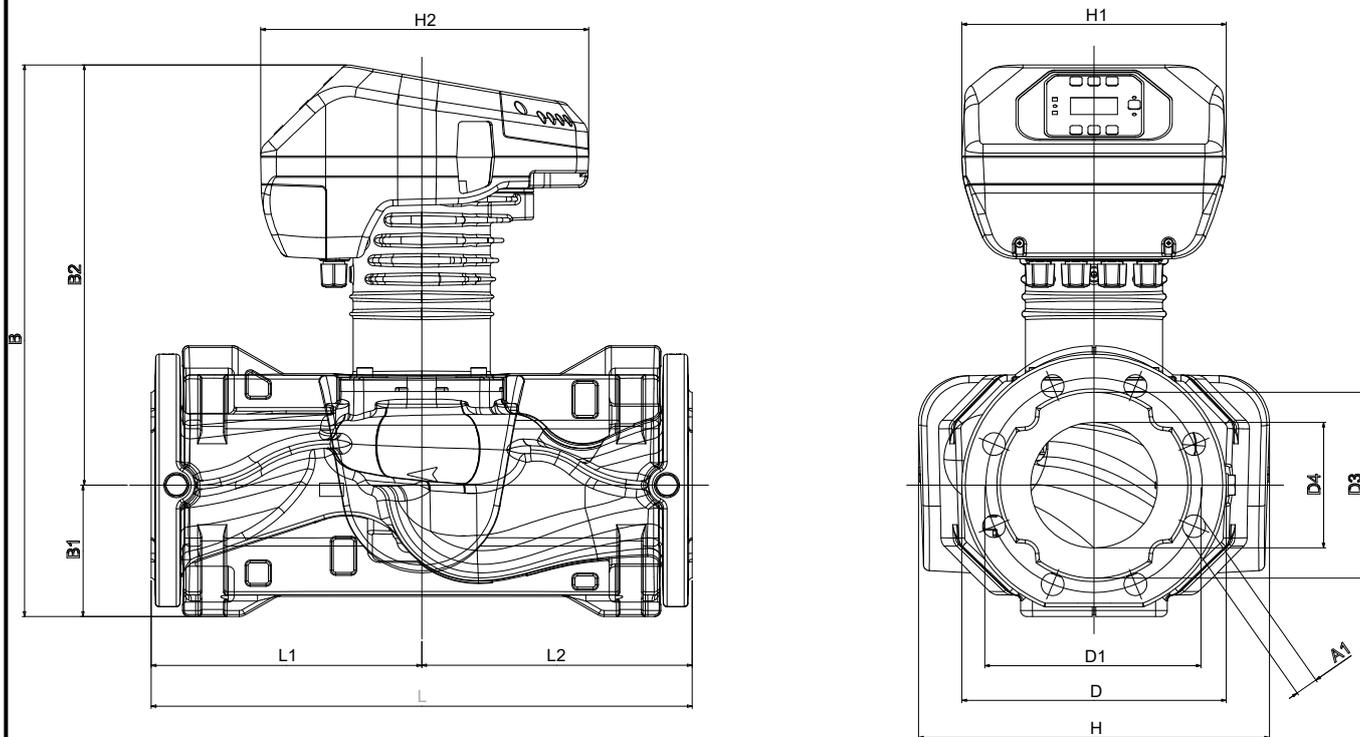
DAB PUMPS S.p.A.
Via Marco Polo, 14 - 35035 Mestrino (PD), Italy
Tel. +39 049 5125000 - Fax +39 049 5125950
www.dabpumps.com

Destinatar

Expeditor

Firma
Referinta
Adresa
Phone
Fax
E-mail

EVOPLUS B 120/450.100 M



Dimensiuni in mm

Racorduri pompa:

| | | | | | | |
|----|----|-----|----|-----|--|-----------|
| 1 | A1 | 19 | L | 450 | | |
| 2 | B | 463 | L1 | 225 | | Aspiratie |
| 3 | B1 | 110 | L2 | 225 | | DN 100 |
| 4 | B2 | 353 | | | | PN 6 |
| 5 | D | 220 | | | | |
| 6 | D1 | 180 | | | | |
| 7 | D3 | 156 | | | | Refulare |
| 8 | D4 | 105 | | | | DN 100 |
| 9 | H | 292 | | | | PN 6 |
| 10 | H1 | 220 | | | | |
| 11 | H2 | 273 | | | | |

| | | | |
|--------------------|---------------------|-------|---------------------------------|
| MAIN_PROJECT_TITLE | BUSINESS_PROCESS_ID | OWNER | ISSUE_DATE 03/10/2023 |
|--------------------|---------------------|-------|---------------------------------|