



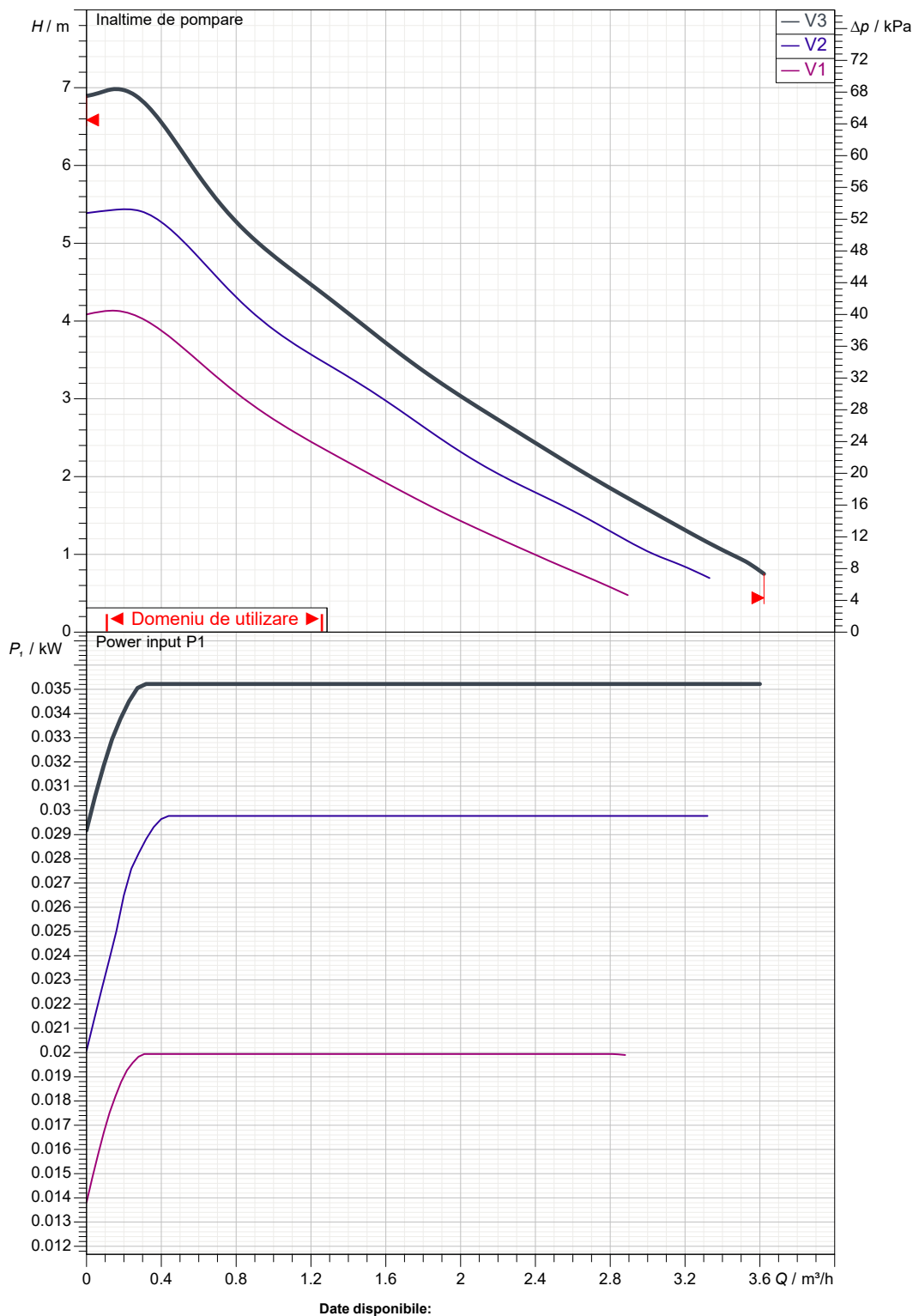
Destinatari

Expeditor

 Firma  
 Referinta  
 Adresa  
 Phone  
 Fax  
 E-mail

**EVOSTA2 40-70/150 SAN**

Curve tolerance according to ISO 9906


 Partea cu aspiratia:  
 1" 1/2 G  
 1000 kPa

 Partea cu refularea:  
 1" 1/2 G  
 1000 kPa

Debit :

Înaltime de pompare :

 Viteza nominala:  
 2900 1/min

MAIN\_PROJECT\_TITLE

BUSINESS\_PROCESS\_ID

OWNER\_

ISSUE\_DATE

12/23/2022



# DESEN DIMENSIONAL

12/23/2022

Pagina 3 / 3

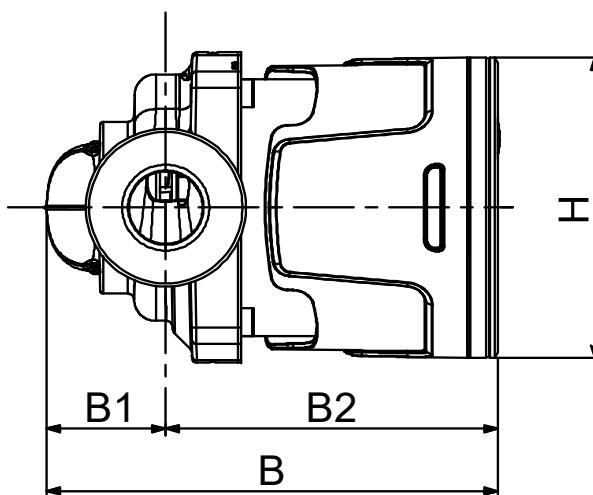
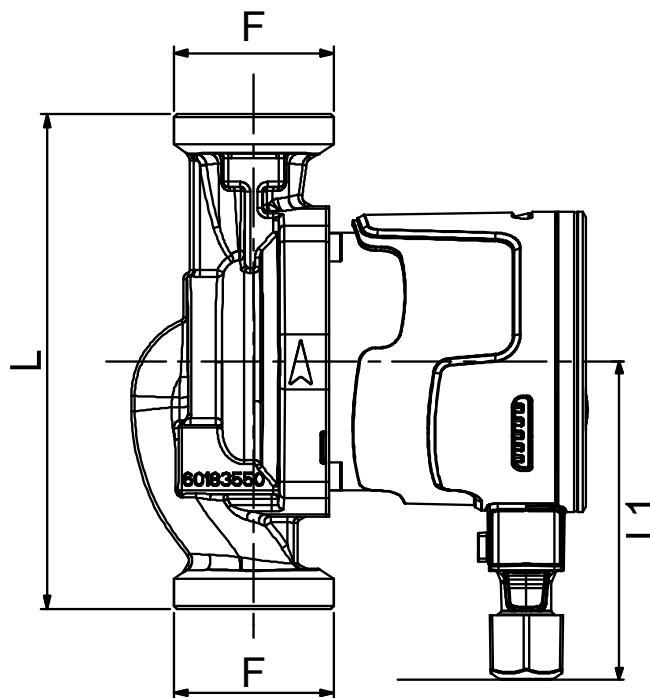
DAB PUMPS S.p.A.  
Via Marco Polo, 14 - 35035 Mestrino (PD), Italy  
Tel. +39 049 5125000 - Fax +39 049 5125950  
www.dabpumps.com

Destinatar

Expeditor

Firma  
Referinta  
Adresa  
Phone  
Fax  
E-mail

## EVOSTA2 40-70/150 SAN



**Dimensiuni in mm**

1	B	134.6
2	B1	35.5
3	B2	99.1
4	F	1"1/2
5	H	91
6	L	150
7	L1	96
8		
9		
10		
11		

**Racorduri pompa:**

Aspiratie  
1" 1/2 G  
1000 kPa  
  
Refulare  
1" 1/2 G  
1000 kPa

MAIN\_PROJECT\_TITLE

BUSINESS\_PROCESS\_ID

OWNER

ISSUE\_DATE

12/23/2022