

Destinatar

Firma
Referinta
Adresa
Phone
Fax
E-mail

Expeditor

Cod articol : 60194419
Customer pos. no.:

Articol:
FEKA 600 M-NA 40th - 10m

Date pompa

Free passage : 25 mm
Aspiration level minimum : 38 mm
Max. immersion depth : 7 m
Temperatura min. fluid : 0 °C
Temperatura max. fluid : 35 °C

Date de functionare cerute

Debit :
Înăltime de pompare :
Fluid pompat : Apă
Temperatura fluid: 20 °C
Densitate : 998.3 kg/m³
Vascozitate cinematica: 1.005 mm²/s
Presiune de vapori: 2.34 kPa

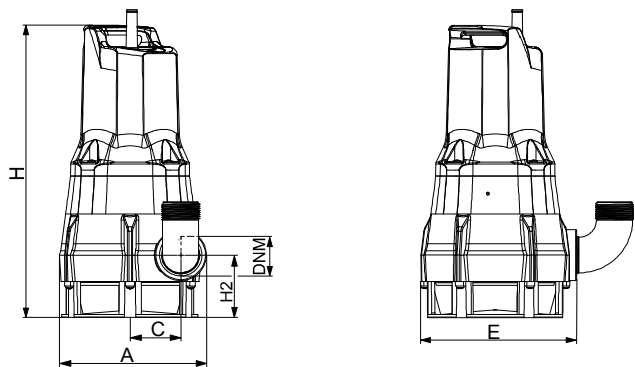
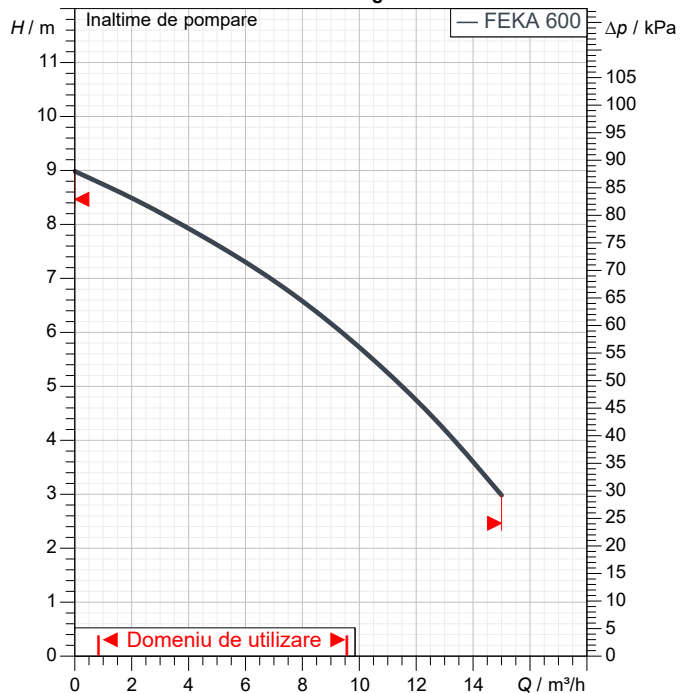
Date disponibile:

Debit :
Înăltime de pompare :

Materiale

Corp pompa : Tecnopolimer
Rotor : Tecnopolimer
Garnitura OR : Cauciuc NBR
Arbore rotor : Stainless Steel AISI 431
Grila de aspiratie : Tecnopolimer
Calota motor : AISI 304 X5 Cr Ni 1810 UNI 6900/71

Curve tolerance according to ISO 9906



Date motor

Masa 4.6 kg

Marca : DAB
Putere nominala P2: 0.5 kW
Tensiune nominala : 1~ 230 V 50 Hz
Curent nominal : 3.1 A
Grad de protecție: IP 68
Cable length m : 10

Dimensiuni de gabarit mm

A	163				
C	56				
DNM	1"1/4 G				
E	174				
H	349				
H2	71				

Racorduri pompa:

Partea cu aspiratia: /
Partea cu refularea: 1" 1/4 G / --



CURBELOR CARACTERISTICE

01/09/2023

Pagina 2 / 3

DAB PUMPS S.p.A.
Via Marco Polo, 14 - 35035 Mestrino (PD), Italy
Tel. +39 049 5125000 - Fax +39 049 5125950
www.dabpumps.com

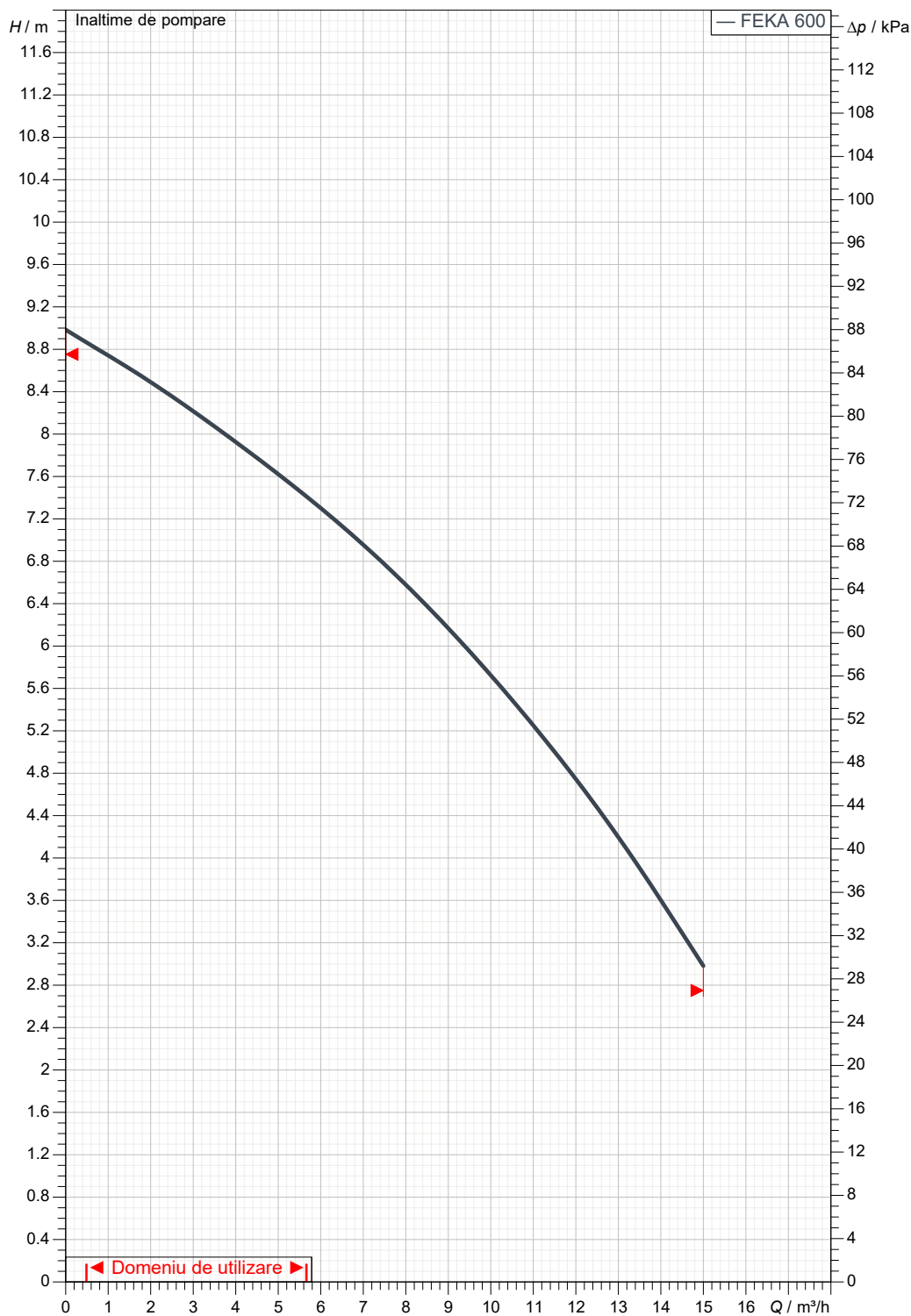
Destinatar

Expeditor

Firma
Referinta
Adresa
Phone
Fax
E-mail

FEKA 600 M-NA 40th - 10m

Curve tolerance according to ISO 9906



Date disponibile:

Partea cu aspiratia:

Partea cu refularea:

Debit :

Înaltime de pompare :

Viteza nominala:

1" 1/4 G
--

2900 1/min

MAIN_PROJECT_TITLE

BUSINESS_PROCESS_ID

OWNER_

ISSUE_DATE

01/09/2023



DESEN DIMENSIONAL

01/09/2023

Pagina 3 / 3

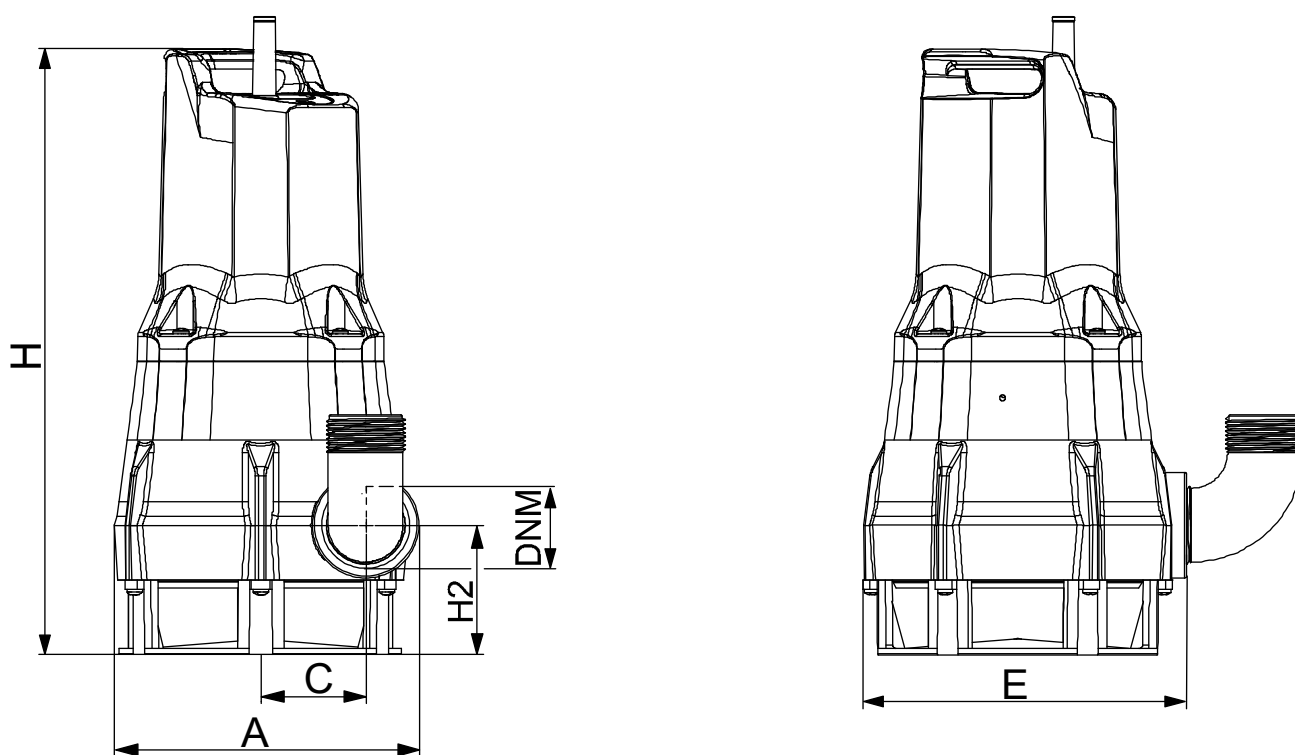
DAB PUMPS S.p.A.
Via Marco Polo, 14 - 35035 Mestrino (PD), Italy
Tel. +39 049 5125000 - Fax +39 049 5125950
www.dabpumps.com

Destinatar

Expeditor

Firma
Referinta
Adresa
Phone
Fax
E-mail

FEKA 600 M-NA 40th - 10m



Dimensiuni in mm

Racorduri pompa:

1	A	163							
2	C	56							
3	DNM	1"1/4 G							Aspiratie
4	E	174							
5	H	349							
6	H2	71							
7									Refulare
8									1" 1/4 G
9									--
10									
11									

MAIN_PROJECT_TITLE

BUSINESS_PROCESS_ID

OWNER

ISSUE_DATE

01/09/2023