

Destinatar

Expeditor

Firma
Referinta
Adresa
Phone
Fax
E-mail

Cod articol : 103040080
Customer pos. no.:

Articol:
FEKA VS 1000 M - A

Date pompa

Free passage : 50 mm
Presiune nominala:
Temperatura min. fluid 0
Temperatura max. fluid 50 °C
Temperatura max. ambienta 40 °C

Date de functionare cerute

Debit :
Inaltime de pompare :
Fluid pompat : Apă
Temperatura fluid: 20 °C
Densitate 998.3 kg/m³
Vasozitate cinematica: 1.005 mm²/s
Presiune de vapori: 2.34 kPa

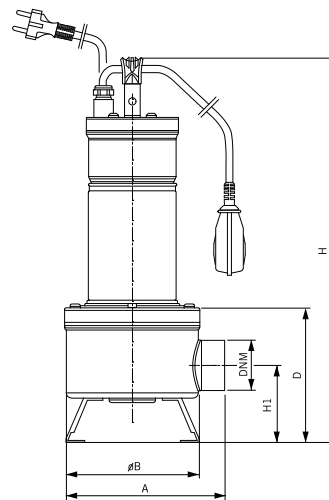
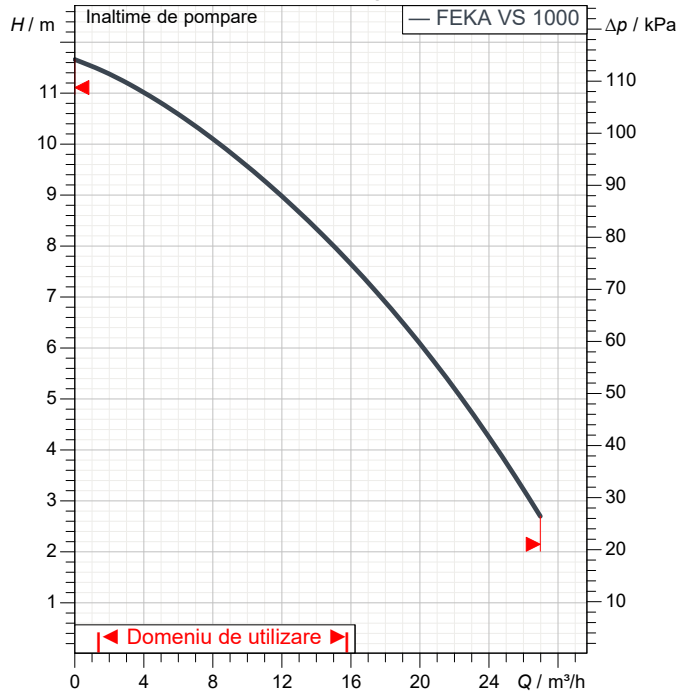
Date disponibile:

Debit :
Inaltime de pompare :

Materiale

Corp pompa AISI 304
Rotor AISI 304
Arbore motor AISI 316
Disc suport etansare AISI 304
Carcasa motorului AISI 304
Etansare mec. completa pe partea pozitiva Silicon carbide/Silicon carbide
Etansare mec. completa pe partea negativa Carbon/Alumina

Curve tolerance according to ISO 9906



Date motor

Masa 19.3 kg

Marca : DAB
Putere nominala P2: 1 kW
Viteza nominala: 2800 1/min
Tensiune nominala : 1~ 220-240 V 50 Hz
Curent nominal : 6.63 A
Grad de protectie: IP 68

Dimensiuni de gabarit mm

A	203				
B	170				
D	172				
DNM	2" F				
H	537				
H1	98				

Racorduri pompa:

Partea cu aspiratia: /
Partea cu refularea: 2" GAS / --



CURBELOR CARACTERISTICE

04/08/2024

Pagina 2 / 3

DAB PUMPS S.p.A.
Via Marco Polo, 14 - 35035 Mestrino (PD), Italy
Tel. +39 049 5125000 - Fax +39 049 5125950
www.dabpumps.com

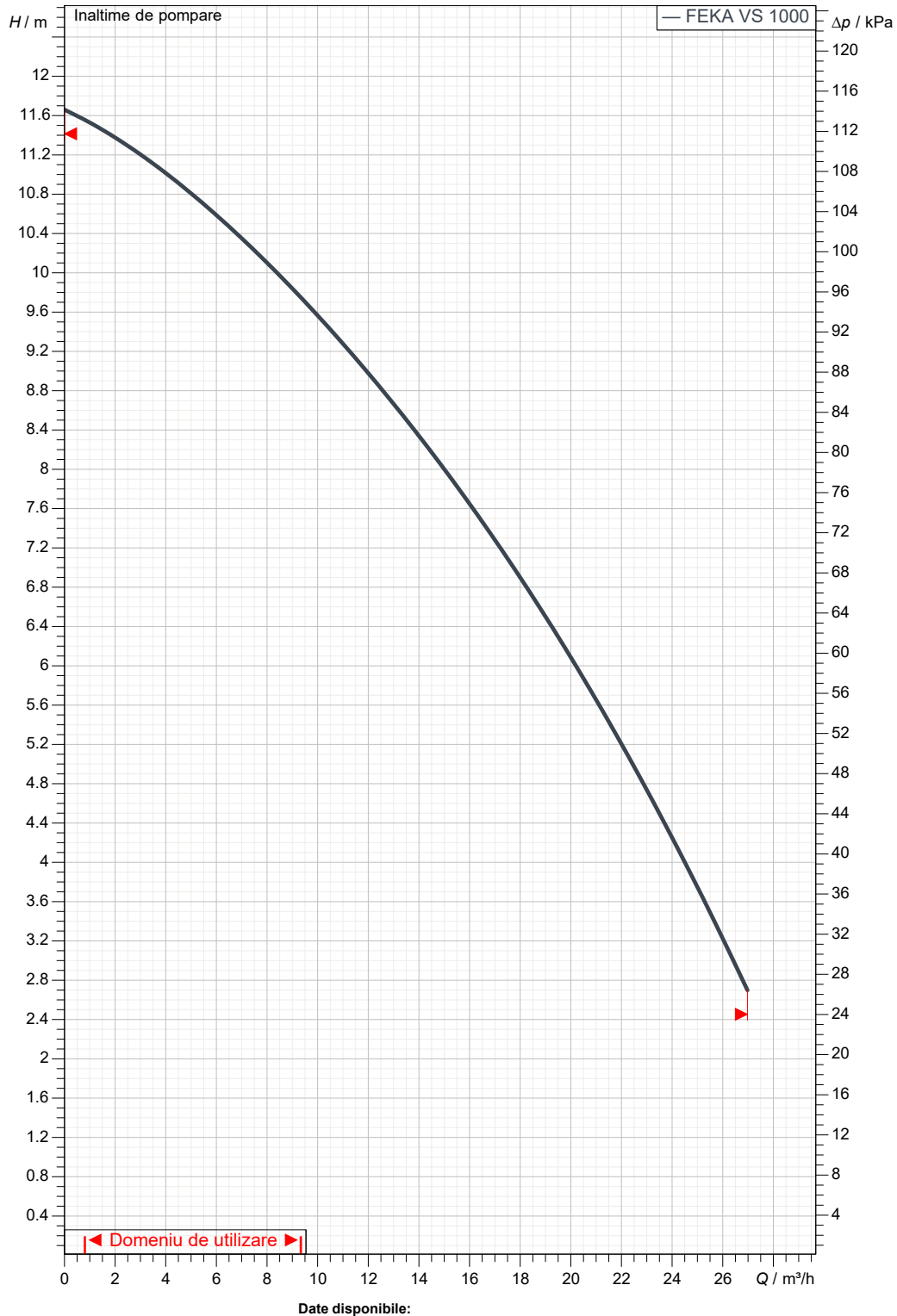
Destinatar

Expeditor

Firma
Referinta
Adresa
Phone
Fax
E-mail

FEKA VS 1000 M - A

Curve tolerance according to ISO 9906



Partea cu aspiratia:

Partea cu refularea:

Debit :

Înaltime de pompare :

Viteza nominala:

2" GAS
--

2800 1/min

MAIN_PROJECT_TITLE

BUSINESS_PROCESS_ID

OWNER_

ISSUE_DATE

04/08/2024



DESEN DIMENSIONAL

04/08/2024

Pagina 3 / 3

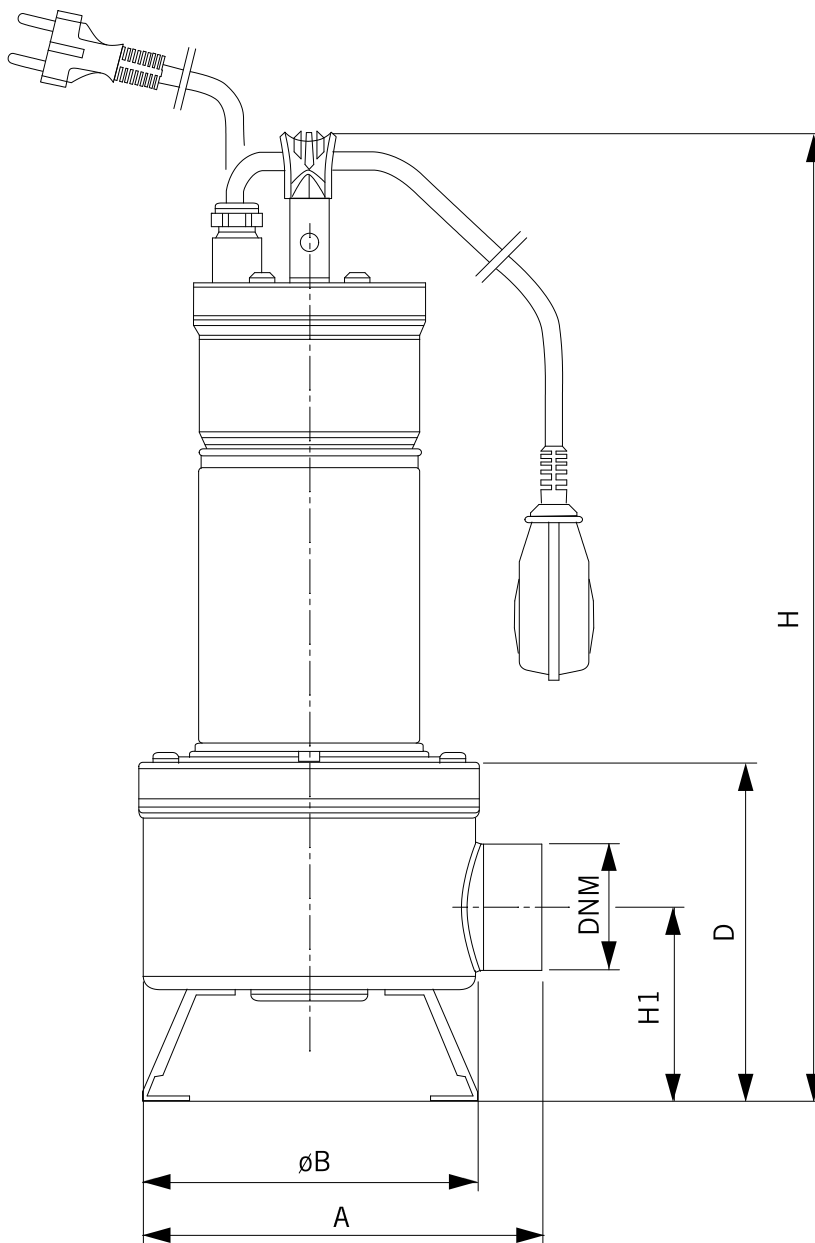
DAB PUMPS S.p.A.
Via Marco Polo, 14 - 35035 Mestrino (PD), Italy
Tel. +39 049 5125000 - Fax +39 049 5125950
www.dabpumps.com

Destinatar

Expeditor

Firma
Referinta
Adresa
Phone
Fax
E-mail

FEKA VS 1000 M - A



Dimensiuni in mm

Racorduri pompa:

1
2
3
4
5
6
7
8
9
10
11

A
B
D
DNM
H
H1

203
170
172
2" F
537
98

Aspiratie

Refulare
2" GAS
--

MAIN_PROJECT_TITLE

BUSINESS_PROCESS_ID

OWNER

ISSUE_DATE

04/08/2024