

Destinatar

Firma
Referinta
Adresa
Phone
Fax
E-mail

Expeditor

Cod articol :

103040000

Customer pos. no.:

Articol:

FEKA VS 550 M - A

Date pompa

Free passage : 50 mm
Presiune nominala:
Temperatura min. fluid 0
Temperatura max. fluid 50 °C
Temperatura max. ambianta 40 °C

Date de functionare cerute

Debit :
Inaltime de pompare :
Fluid pompat : Apă
Temperatura fluid: 20 °C
Densitate 998.3 kg/m³
Vasozitate cinematica: 1.005 mm²/s
Presiune de vapori: 2.34 kPa

Date disponibile:

Debit :
Inaltime de pompare :

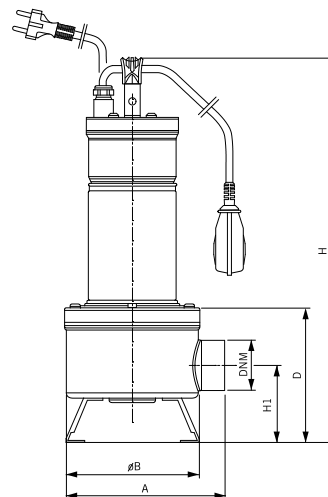
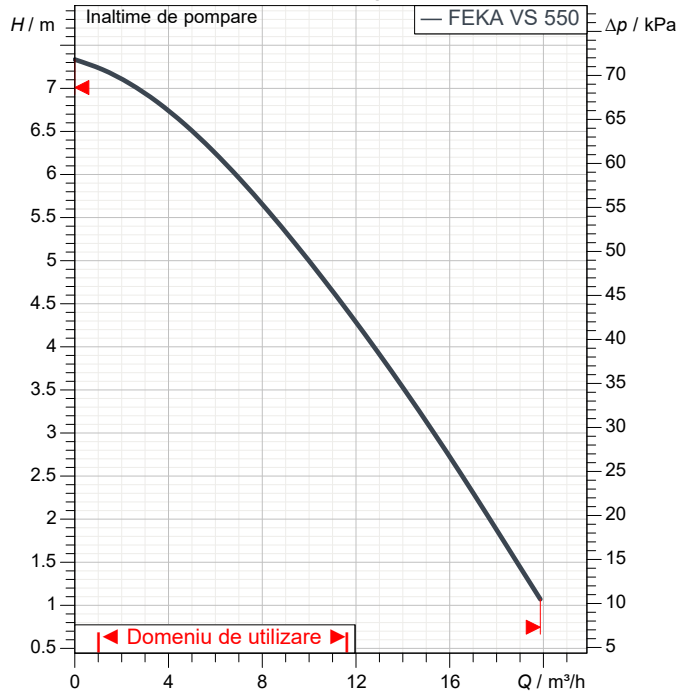
Materiale

Corp pompa AISI 304
Rotor AISI 304
Arbore motor AISI 316
Disc suport etansare AISI 304
Carcasa motorului AISI 304
Etansare mec. completa pe partea pozitiva Silicon carbide/Silicon carbide
Etansare mec. completa pe partea negativa Carbon/Alumina

Date motor

Marca : DAB
Putere nominala P2: 0.55 kW
Viteza nominala: 2800 1/min
Tensiune nominala : 1~ 220-240 V 50 Hz
Curent nominal : 4.2 A
Grad de protectie: IP 68

Curve tolerance according to ISO 9906



Masa 16.3 kg

Dimensiuni de gabarit mm

Dimensiune	Valoare (mm)				
A	203				
B	170				
D	172				
DNM	2" F				
H	492				
H1	98				

Racorduri pompa:

Partea cu aspiratia: /
Partea cu refularea: 2" GAS / --



CURBELOR CARACTERISTICE

04/08/2024

Pagina 2 / 3

DAB PUMPS S.p.A.
Via Marco Polo, 14 - 35035 Mestrino (PD), Italy
Tel. +39 049 5125000 - Fax +39 049 5125950
www.dabpumps.com

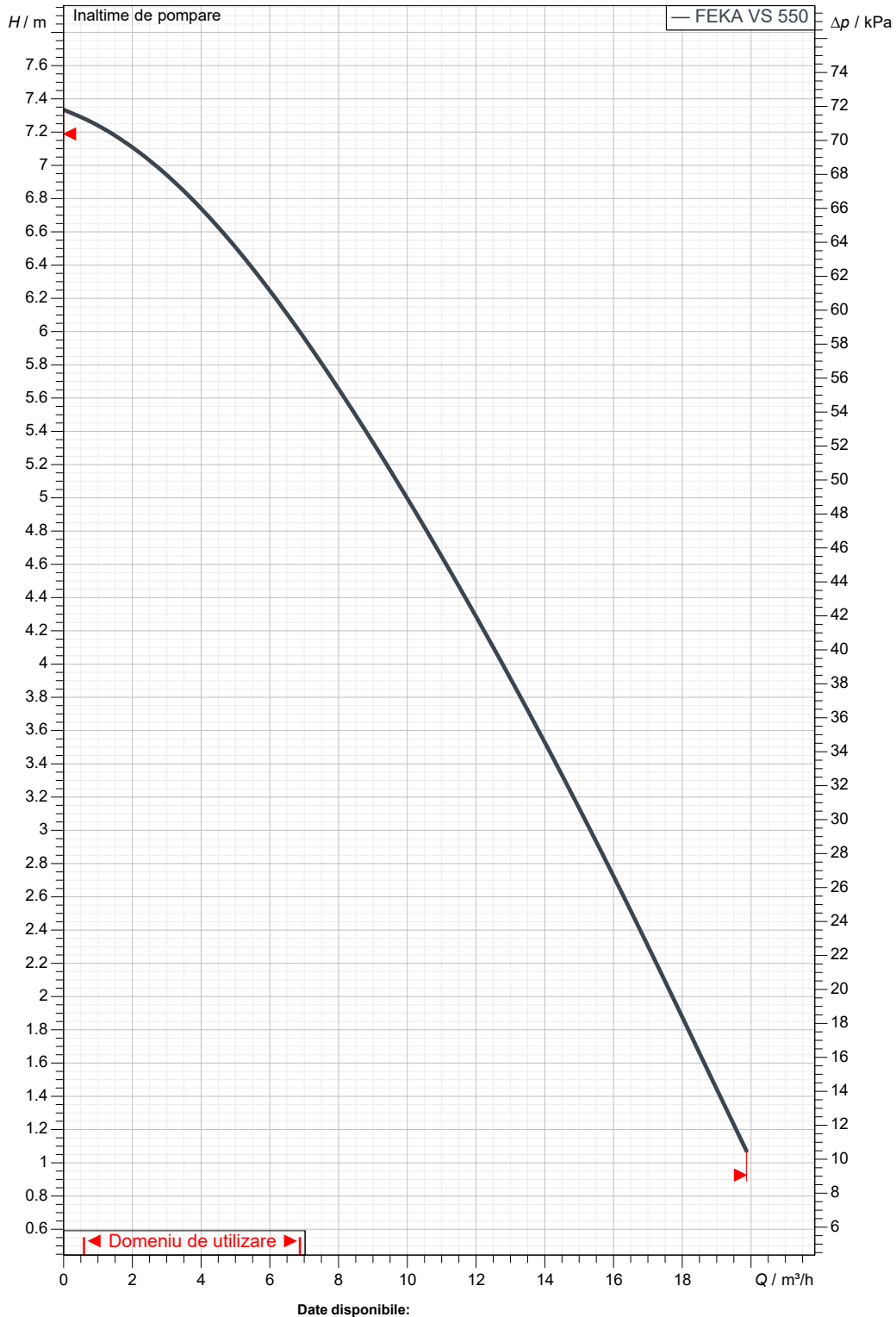
Destinatar

Expeditor

Firma
Referinta
Adresa
Phone
Fax
E-mail

FEKA VS 550 M - A

Curve tolerance according to ISO 9906



Partea cu aspiratia:

Partea cu refularea:
2" GAS
--

Debit :

Înaltime de pompare :

Viteza nominala:
2800 1/min

MAIN_PROJECT_TITLE

BUSINESS_PROCESS_ID

OWNER_

ISSUE_DATE

04/08/2024



DESEN DIMENSIONAL

04/08/2024

Pagina 3 / 3

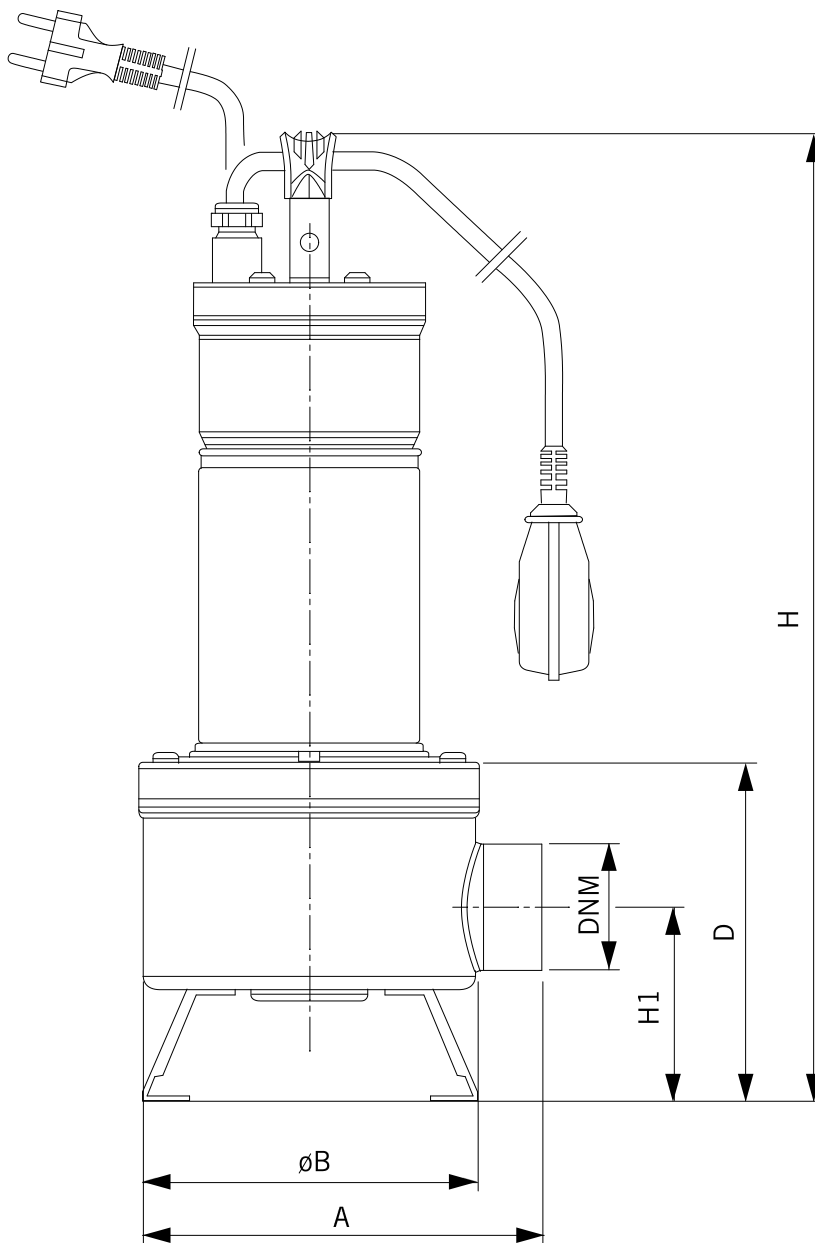
DAB PUMPS S.p.A.
Via Marco Polo, 14 - 35035 Mestrino (PD), Italy
Tel. +39 049 5125000 - Fax +39 049 5125950
www.dabpumps.com

Destinatar

Expeditor

Firma
Referinta
Adresa
Phone
Fax
E-mail

FEKA VS 550 M - A



Dimensiuni in mm

Racorduri pompa:

1
2
3
4
5
6
7
8
9
10
11

A 203
B 170
D 172
DNM 2" F
H 492
H1 98

Aspiratie

Refulare
2" GAS
--

MAIN_PROJECT_TITLE

BUSINESS_PROCESS_ID

OWNER

ISSUE_DATE

04/08/2024