

Destinatar

 Firma
 Referinta
 Adresa
 Phone
 Fax
 E-mail

Expeditor
Cod articol :

60186046

Customer pos. no.:
Articol:

EVOSTA2 40-70/130

Date pompa

 Presiune nominala: 1000 kPa
 Temperatura min. fluid -10 °C
 Temperatura max. fluid 110 °C
 EEI : ≤ 0,18

Presiune minima la nivelul apei:

 Temperatura : °C 90
 Presiune minima la nivelul apei: m 10

Date de functionare cerute

 Debit :
 Inaltime de pompare :
 Fluid pompat (%) :
 Temperatura fluid: 20 °C
 Densitate 998.3 kg/m³
 Vascositate cinematica: 1.005 mm²/s
 Presiune de vapori: 2.34 kPa

Date disponibile:

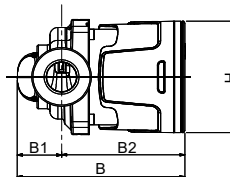
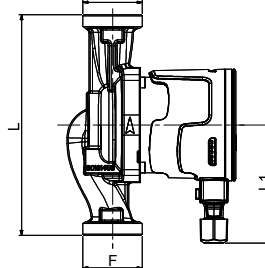
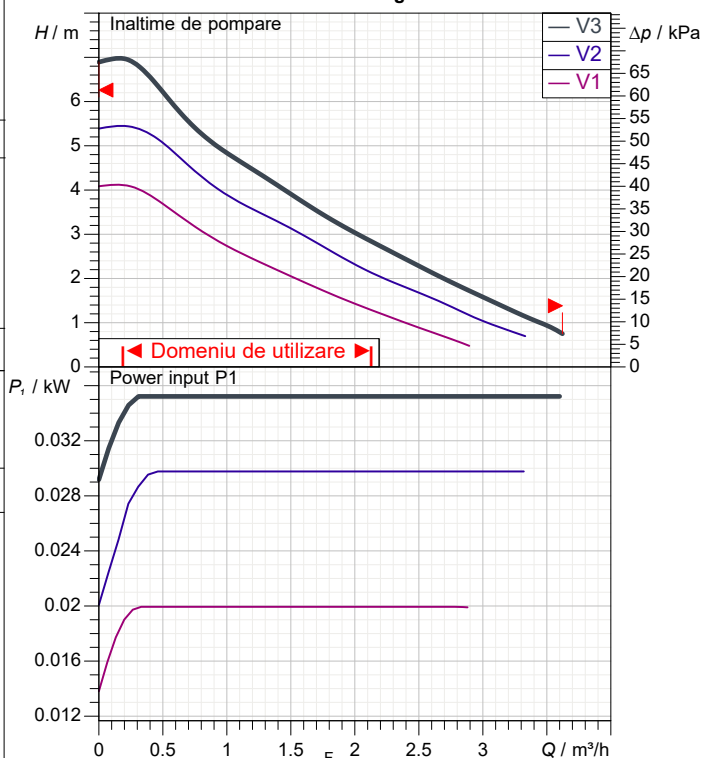
 Debit :
 Inaltime de pompare :

Materiale

 Camasa stator AISI 316
 Rotor Ultrason
 Arbore Alumina
 Bearing housing Alama
 Bushing Alumina
 Rotor Fe
 Axial bearing Grafit

Date motor

 Marca : DAB
 Putere absorbita P1 0.035 kW
 Tensiune nominala : 1~ 230 V 50 Hz
 Curent nominal : 0.32 A
 Grad de protectie: IP X5

Curve tolerance according to ISO 9906

Dimensiuni de gabarit mm

B	134.6	L1	96				
B1	35.5						
B2	99.1						
F	1"1/2						
H	91						
L	130						

Masa 2.02 kg

Racorduri pompa:

 Partea cu aspiratia: 1 " 1/2 G
 Partea cu refularea: 1 " 1/2 G



CURBELOR CARACTERISTICE

01/08/2024

Pagina 2 / 3

DAB PUMPS S.p.A.
Via Marco Polo, 14 - 35035 Mestrino (PD), Italy
Tel. +39 049 5125000 - Fax +39 049 5125950
www.dabpumps.com

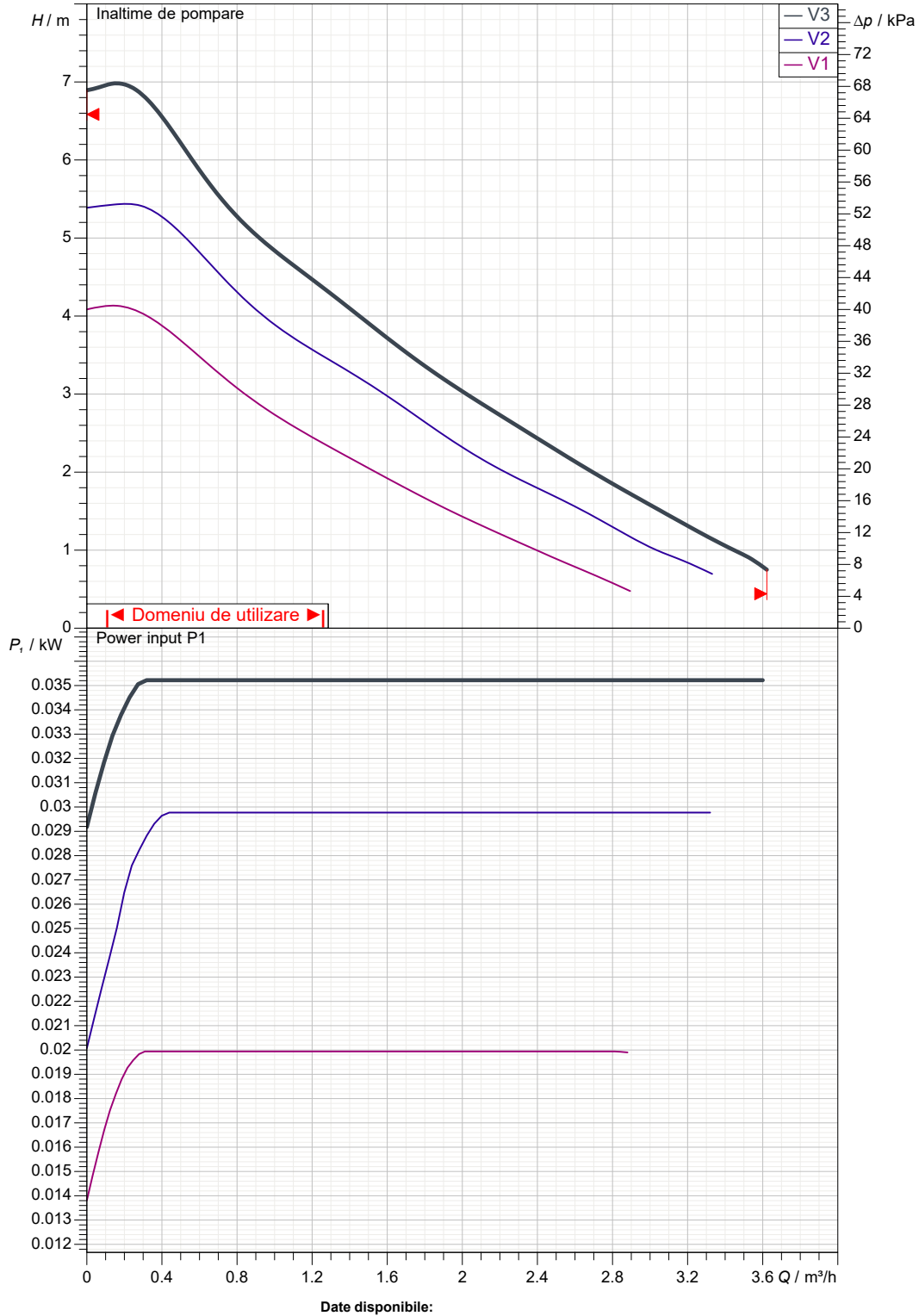
Destinatar

Expeditor

Firma
Referinta
Adresa
Phone
Fax
E-mail

EVOSTA2 40-70/130

Curve tolerance according to ISO 9906



Partea cu aspiratia:
1" 1/2 G
1000 kPa

Partea cu refularea:
1" 1/2 G
1000 kPa

Debit :

Înaltime de pompare :

Viteza nominala:
2900 1/min

MAIN_PROJECT_TITLE

BUSINESS_PROCESS_ID

OWNER_

ISSUE_DATE

01/08/2024



DESEN DIMENSIONAL

01/08/2024

Pagina 3 / 3

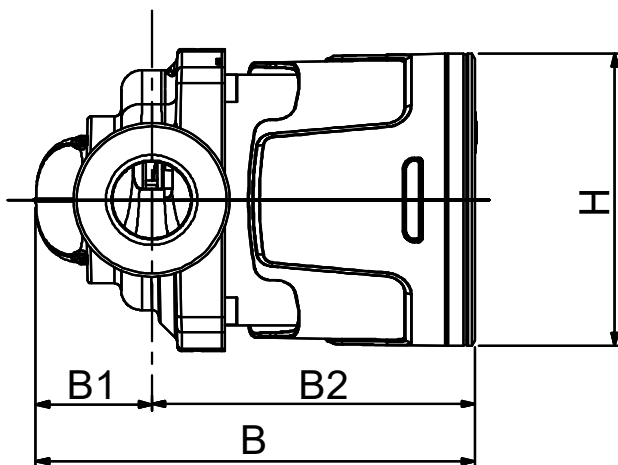
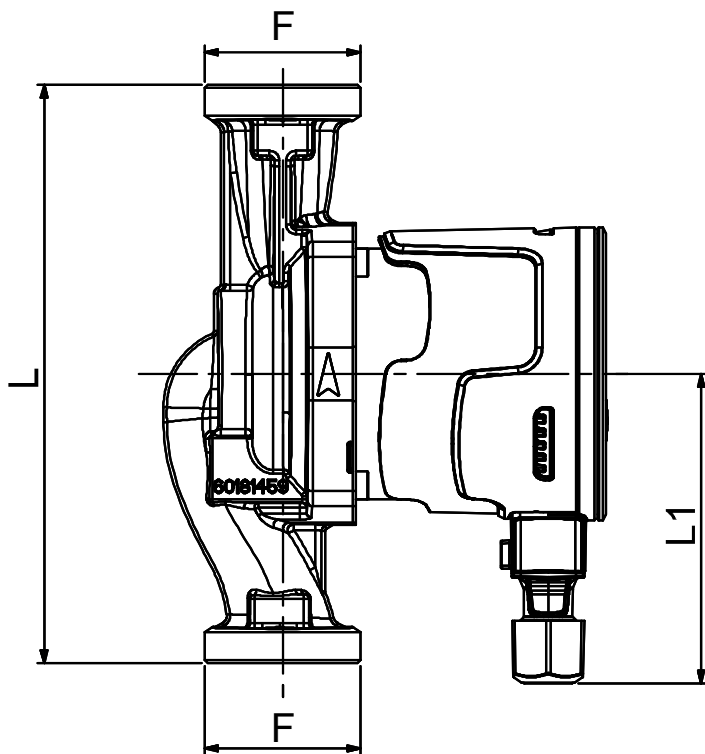
DAB PUMPS S.p.A.
Via Marco Polo, 14 - 35035 Mestrino (PD), Italy
Tel. +39 049 5125000 - Fax +39 049 5125950
www.dabpumps.com

Destinatar

Expeditor

Firma
Referinta
Adresa
Phone
Fax
E-mail

EVOSTA2 40-70/130



Dimensiuni in mm

1	B	134.6
2	B1	35.5
3	B2	99.1
4	F	1"1/2
5	H	91
6	L	130
7	L1	96
8		
9		
10		
11		

Racorduri pompa:

Aspiratie
1" 1/2 G
1000 kPa

Refulare
1" 1/2 G
1000 kPa

MAIN_PROJECT_TITLE

BUSINESS_PROCESS_ID

OWNER

ISSUE_DATE

01/08/2024