



Low thermal inertia



Low water content



Versatility



Easy to stock and install



Working pressure



STANDARD SUPPLY

3, 4, 5, 6-element

The water diaphragm (retainer cap) is included in the package.

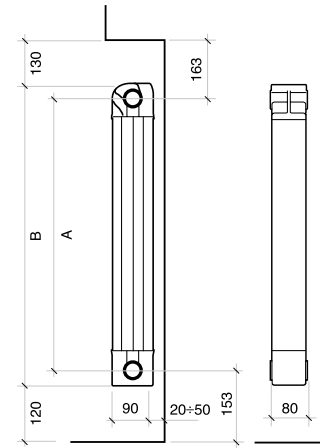
COLOURS

RAL 9010 White

Internal anticorrosion treatment  provided as standard

All models **Maior S/90 Aleternum** are guaranteed **20 years** from installation date on manufacturing faults, provided that the installation has been performed in compliance with the current norms and respecting the instructions relating to the installation, the correct use and the correct maintenance as illustrated on this catalogue.

Model	Heat output				
	ΔT 30	ΔT 40	ΔT 50	ΔT 60	ΔT 70
	W/sect.	W/sect.	W/sect.	W/sect.	W/sect.
900	91,0	134,9	183,0	234,8	289,9
1000	96,7	143,5	195,0	250,5	309,6
1200	110,7	164,2	223,0	286,3	353,7
1400	123,8	183,5	249,0	319,5	394,6
1600	134,5	201,2	275,0	355,0	440,5
1800	148,6	219,9	298,0	382,0	471,3
2000	157,8	236,1	322,8	416,7	517,1



MEASURES EXPRESSED IN MILLIMETRES

Model	Code	Depth	Height	Centre distance	Length	Connection diameters	Water capacity	Heat output ΔT 30	Heat output ΔT 50	Exponent	Coefficient
		mm	(B) mm	(A) mm	mm	inches	litres/sect.	W/sect.	W/sect.	n	Km
900	88AA14	90	966	900	80	G1	0,42	91,0	183,0	1,3669	0,8712
1000	88BA14	90	1066	1000	80	G1	0,47	96,7	195,0	1,3740	0,9029
1200	88CA14	90	1266	1200	80	G1	0,55	110,7	223,0	1,3711	1,0443
1400	88DA14	90	1466	1400	80	G1	0,65	123,8	249,0	1,3682	1,1794
1600	88EA14	90	1666	1600	80	G1	0,74	134,5	275,0	1,4005	1,1479
1800	88FA14	90	1866	1800	80	G1	0,83	148,6	298,0	1,3623	1,4444
2000	88GA14	90	2066	2000	80	G1	0,92	157,8	322,8	1,4007	1,3463

Maximum working pressure: 1600 kpa (16 bar)

Characteristic equation of the model $\Phi=Km \Delta T^n$

Stated heat output values are in accordance with European Standard EN 442-1:2014 and certified by Cetiat - Notified body No. 1623.

Item	Description	Code
	A 72 1/2" Plug/Adapters/Brackets kit, colour white (Rough brackets, not painted): 1 Bleed valve 1/2"; 1 Rh blanking plug; 1 Lh blanking plug; 2 Rh adapters 1/2"; 2 Lh adapters 1/2"; 4 O-ring seals; 2 Supporting brackets	550118
	A 73 3/4" Plug/Adapters/Brackets kit, colour white (Rough brackets, not painted): 1 Bleed valve 3/4"; 1 Rh blanking plug; 1 Lh blanking plug; 2 Rh adapters 3/4"; 2 Lh adapters 3/4"; 4 O-ring seals; 2 Supporting brackets	550119
	A 30/1 Rubber lockshield plug (water diaphragm)	521011
	A 32/1 O-ring seal for nipples, plugs and adapters	530102
	A 33/1 Nipple for Maior	521012
	A 36/4 4 Element towel rail - Colour: White RAL 9010	570014
	A 36/5 5 Element towel rail - Colour: White RAL 9010	570024
	A 36/6 6 Element towel rail - Colour: White RAL 9010	570124

For other accessories, see from page 61