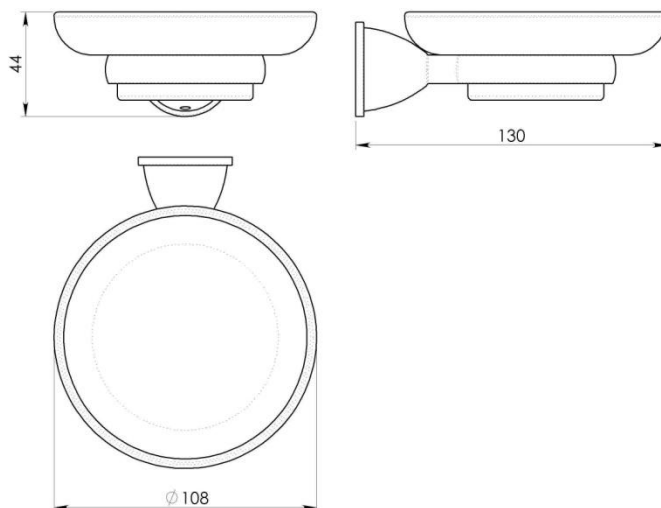


GE11

G- GENZIANA – Soap holder



Article

Net weight:	264 g
Width:	108 mm
Depth:	130 mm
Height:	44 mm

Chromed version packaging

Type:	cardboard with hook
Gross weight:	350 g
Width:	175 mm
Depth:	40 mm
Height:	200 mm

White version packaging

Type:	open box
Gross weight:	360 g
Width:	175 mm
Depth:	60 mm
Height:	200 mm

Materials

Cromall® wall plate
Chromed or white painted (epoxy painting)
Cromall® cover, ring and support
Thermoplastic resins seal
Frosted glass plate

Other specifications

Wall plate dimension: **Ø39 mm**

The article is provided with :

- 2 screws and 2 plugs

Tools required for assembly not included

Drill with **6mm** bit and screwdriver