

# Data sheet



## Bottle odour trap

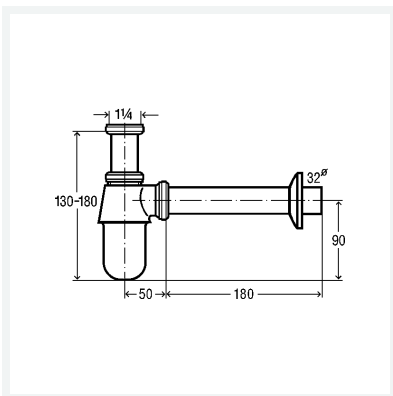
### Equipment

cup Ø 50 mm, adjusting pipe 75 mm, drain pipe 200 mm

quality controlled in accordance with **DIN EN 274**

**Model 5753**

**Article 100 674**



## Properties

Cylindrical thread	G	1 1/4
Nominal diameter	DN	32
Version	chrome-plated	
Weight	1.179 lb	
Volume	1802.64 cm <sup>3</sup>	
Material	Material	brass