

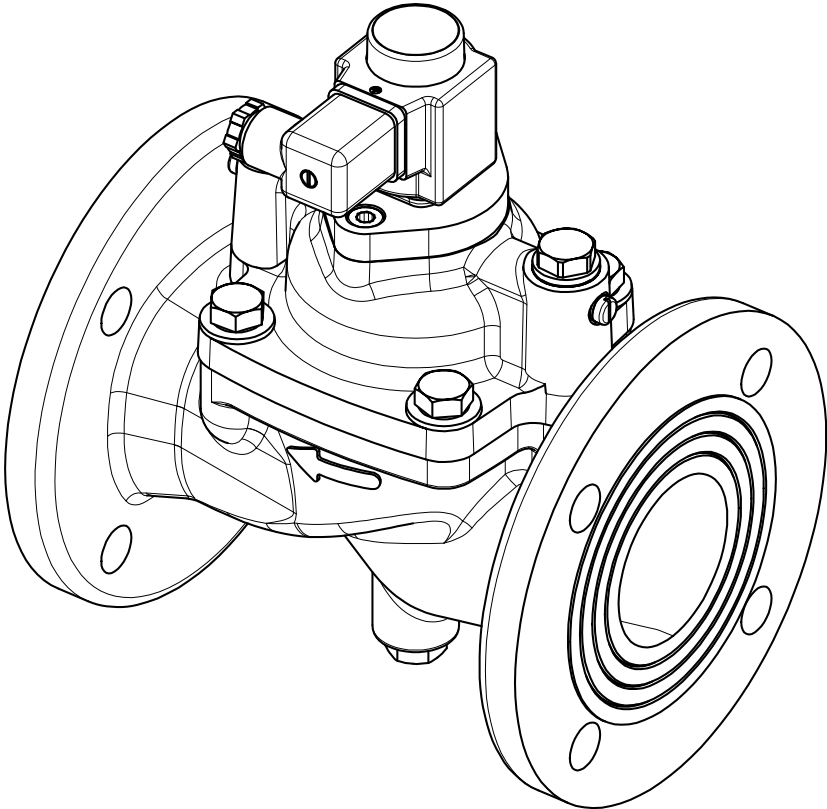
Installation guide

Solenoid valve

Type EV220B 65 - 100

016R9522

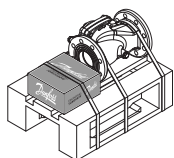
016R9522



The product contains



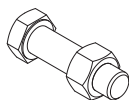
EV220B 65



EV220B 80 & 100



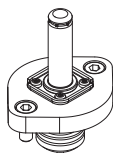
EV220B 65 - 100
Small box



8 pcs



2 pcs



1 pcs



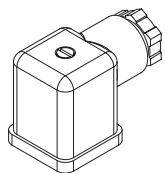
1 pcs



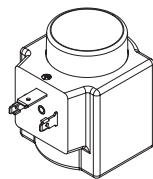
1 pcs*

*Only in case of water hammer risk, change the equalizing orifice. See page 6 for installation guide.

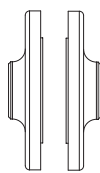
Accessories



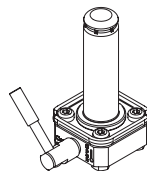
Cable plug



Coil BB/BE/BG/BY

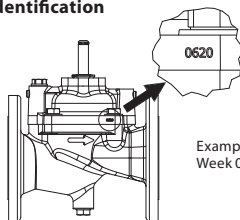


Flange set



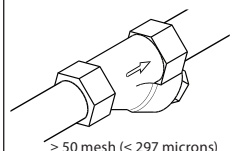
Manual override kit

Identification

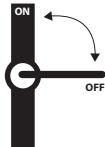


Example:
Week 06 / year: 2020

Recommendations



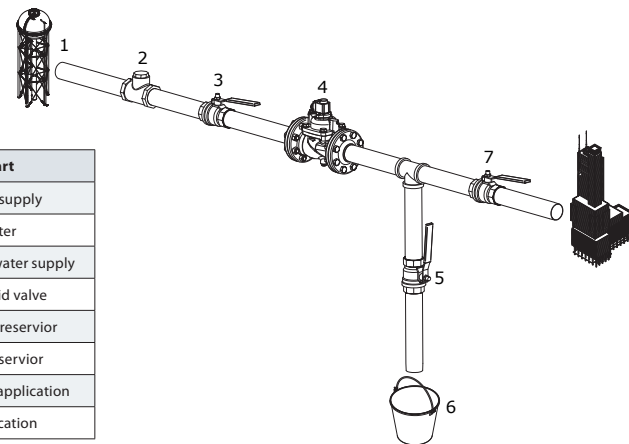
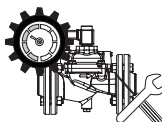
≥ 50 mesh (≤ 297 microns)



Water quality

Hardness 6 - 18 °dH
Conductivity 50 - 800 µS/cm t
Media temp. < 25°C

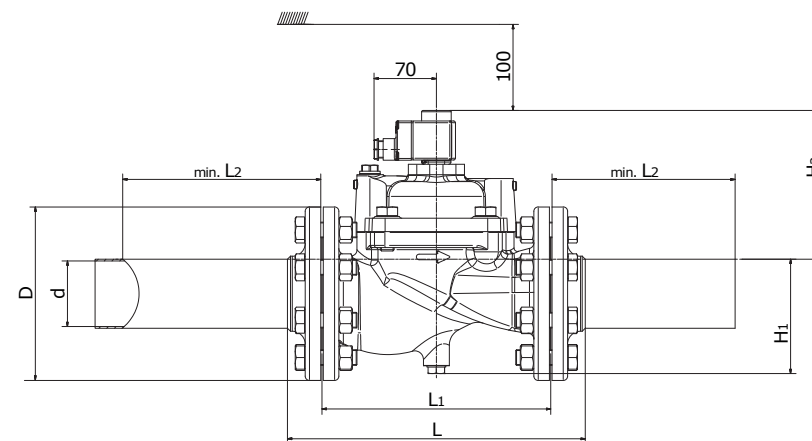
Maintenance
every 6 to 12 months



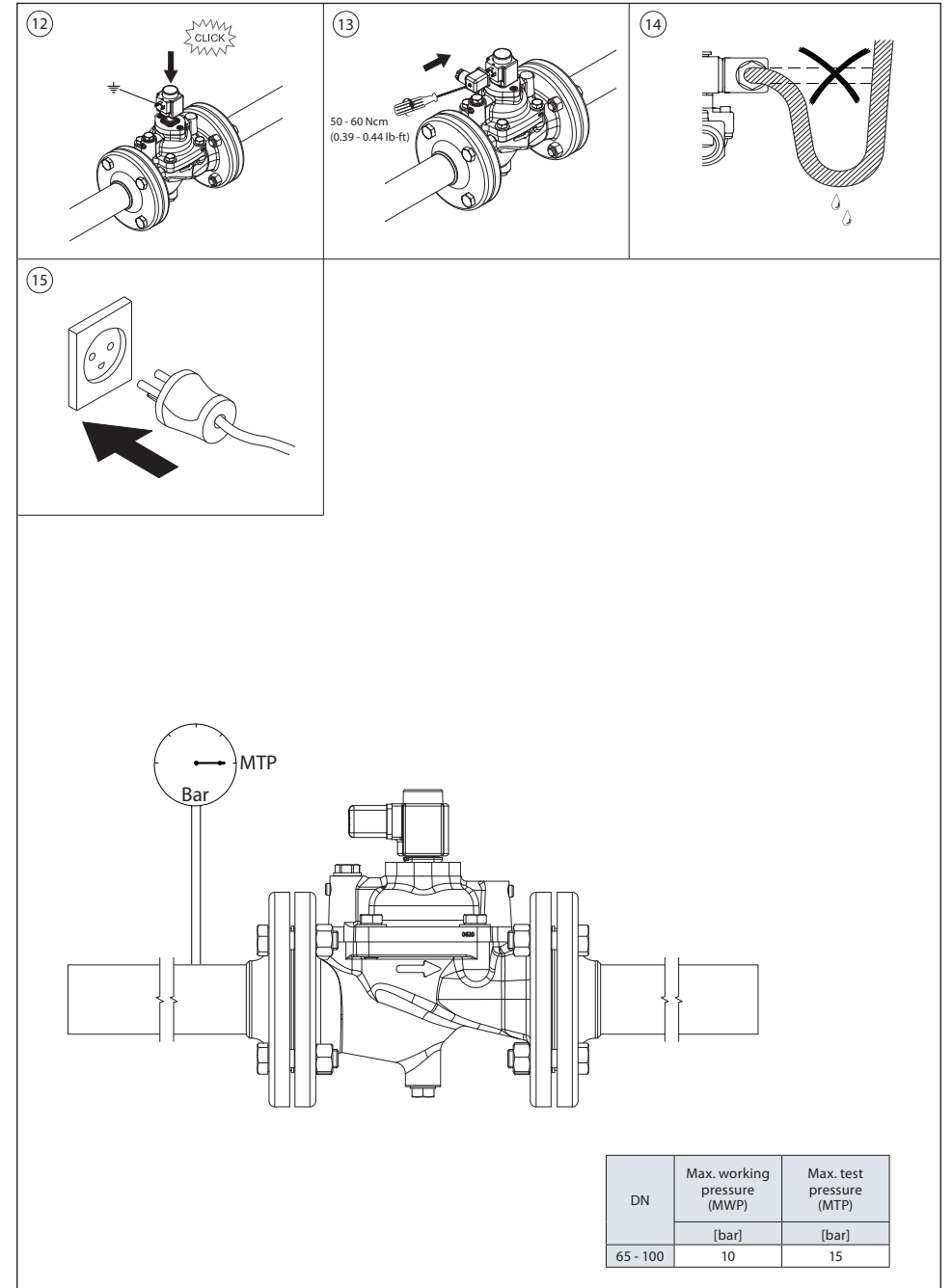
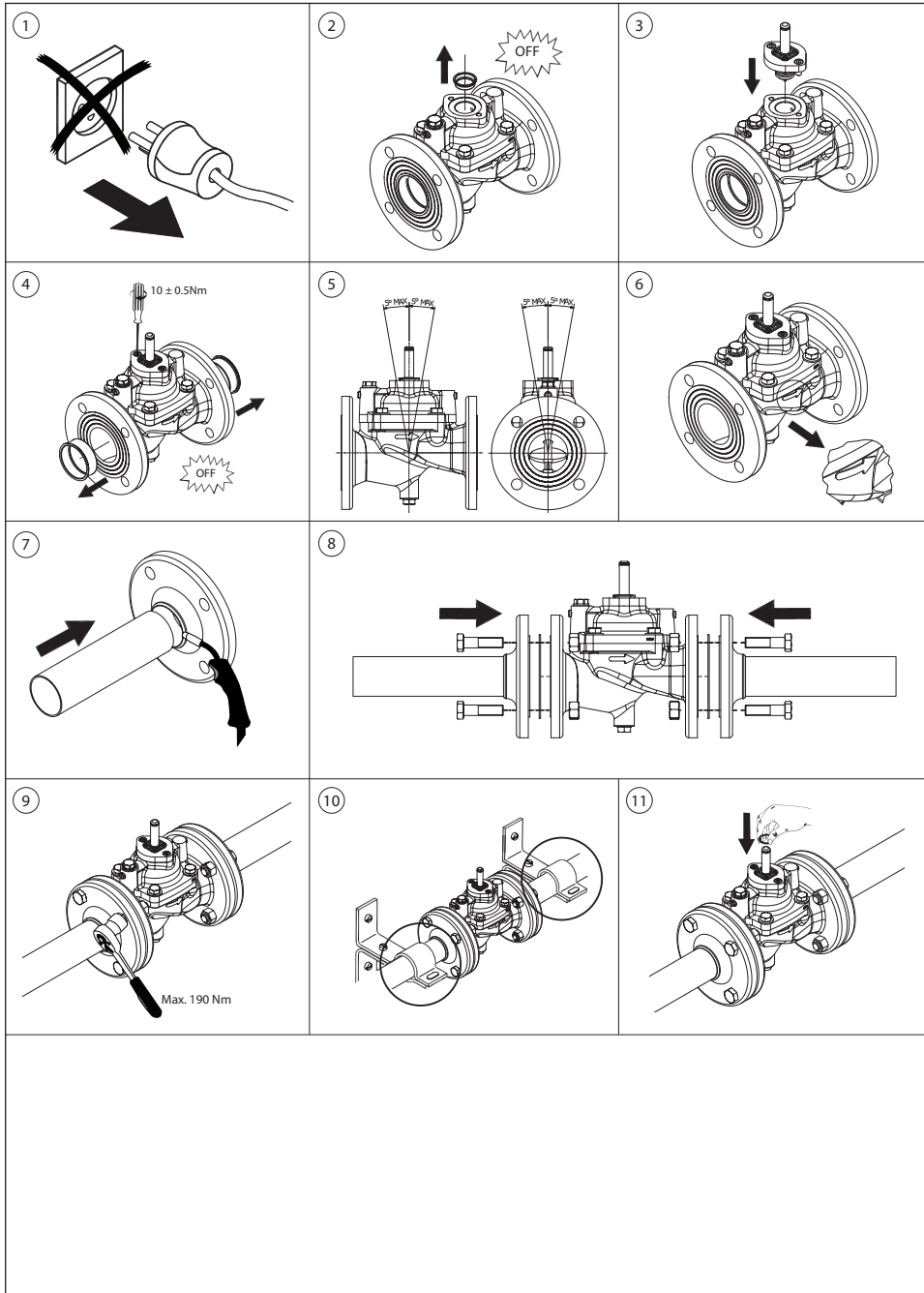
NO.	Part
1	Water supply
2	Filter
3	Ball valve, water supply
4	Solenoid valve
5	Ball, test reservoir
6	Test reservoir
7	Ball valve, application
8	Application



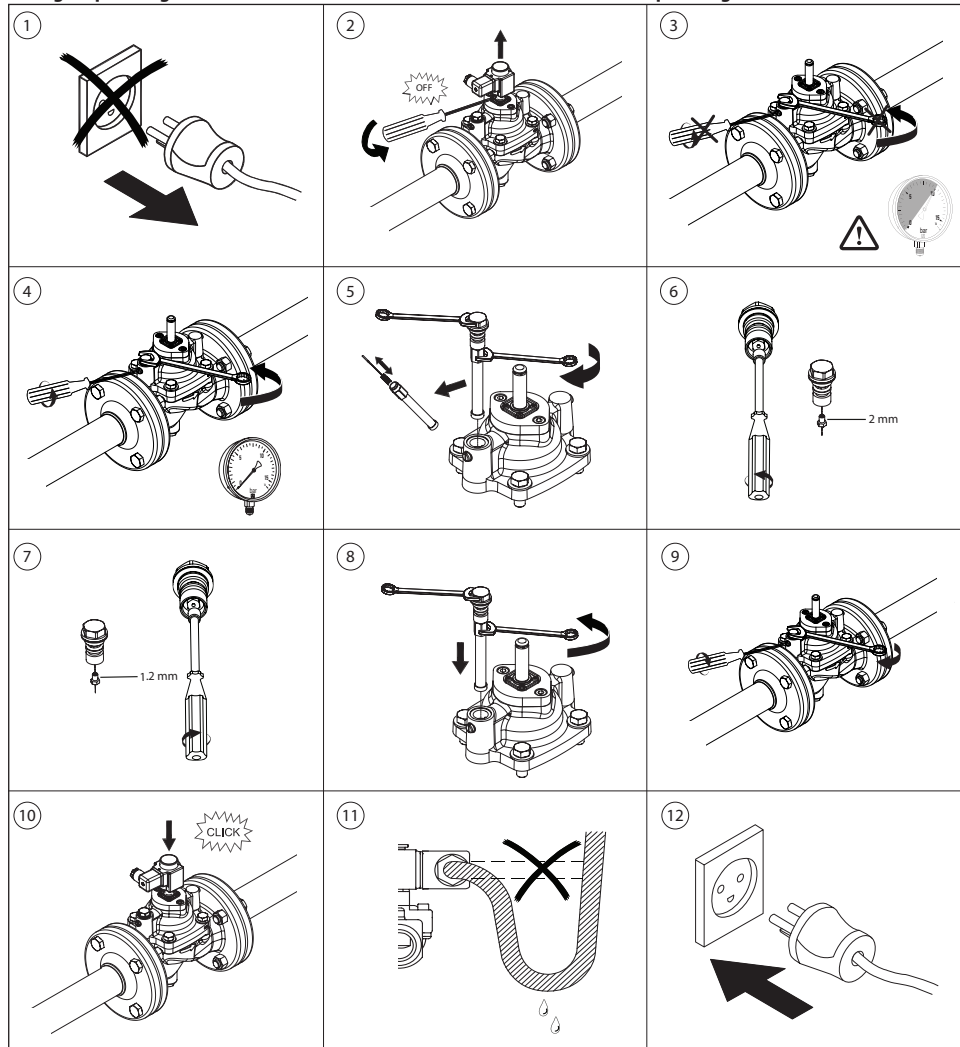
Type	L [mm]	L ₁ [mm]	Required min. L2* (mm)	B ₁ [mm] Coil type		øD [mm]	H ₁ [mm]	H ₂ [mm]	Weight without coil [kg]	Required min. inside tube diameter d** (mm)
				BB/BE	BG					
EV220B 65	320	224	300	46	66	185	85	185	24	65
EV220B 80	370	265	350	46	66	200	93	215	34	80
EV220B 100	430	315	400	46	66	220	103	240	44	100



* Avoid closing problems caused by turbulent flow it is required to have a straight tube on both sides of the valve.
** Required to keep same tube size for entire application, same or bigger inside diameter as valve orifice 65 / 80 / 100 mm.



Change equalizing orifice in case of water hammer. From 2 mm to 1.2 mm equalizing orifice.



Visit www.product.danfoss.com for further technical data
 para más información, visite www.product.danfoss.es
 Rendez-vous sur le site www.products.danfoss.fr pour plus de dobbées techniques