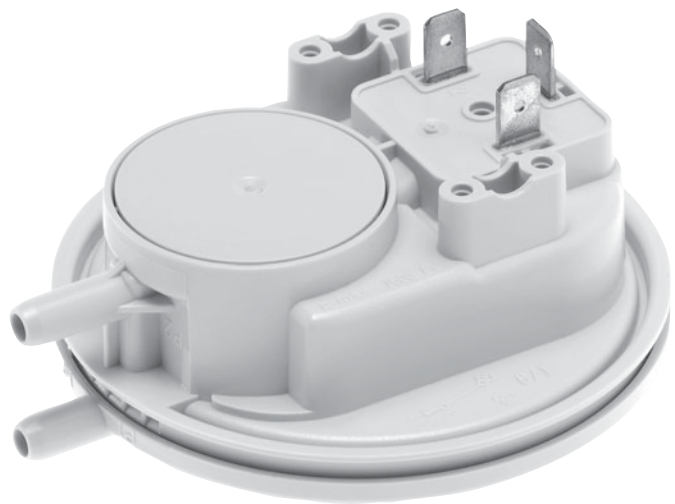


OEM Relative and differential pressure switch type 605

Pressure range
20 ... 400 Pa



Type 605 pressure switches are specially developed for use in gas fired heating systems. There are more than 10 million switches in use worldwide. Produced on a fully automated production line. High setting accuracy and repeatability, combined with excellent reliability characterise a quality of switch above the industry norm.

- Fitting of the switch
 - Fast mounting with snap bracket system
- Adjusting security
 - High contact strength (typically 10 cN) and self cleaning roll operation contact
 - Not susceptible to contact pollution
- Diaphragm design / material
 - Better long term stability achieved through the use of a 2 component silicon diaphragm.
 - Unique trapezoid diaphragm design provides for a better contact release and therefore a more accurate switching point

Technical overview

Pressure range

Relative and differential	20 ... 400 Pa ¹⁾
---------------------------	-----------------------------

Operating conditions

Medium		Air and neutral gases
Temperature ²⁾	Medium / ambient	-30 ... +110 °C
	Storage	-30 ... +110 °C
	< +85 °C	5000 Pa
Tolerable overload on one side	+85 ... +110 °C	1500 Pa
Smallest turn on pressure of 20 Pa ³⁾		Smallest switching differential 8 Pa

Materials in contact with the medium

Sensor		Silicone LSR
Case		PC Lexan 500R ⁴⁾

Electrical overview

Switching load		See Nominal loading limits
Contact system		Changeover switch
Service life	Mechanically	> 10 ⁶ switching cycles

Protection standard

Not mounted		IP 00
With contact safety guard		IP 30
With cover, without seal		IP 54
With cover and seal		IP 65

Reproducibility

Between		± 1 Pa
---------	--	--------

Electrical connection

AMP connector ⁵⁾		6.3 mm 4.8 mm
-----------------------------	--	------------------

Pressure connections

Pipe		Ø 6.2 mm
Orifice installed for damping pulsating pressure at P1, P2 (option)		

Mounting instructions

Installation arrangement		Please indicate installation arrangement
		With several brackets
Mounting		Fastening clip for quick mounting

Tests / Admissions

Gas appliance directive		90/396/EWG
DVGW certification		CE-0085AP0974
Low voltage directive		2006/95/EC

Weight

Without accessories		~ 60 g
---------------------	--	--------

Packaging

Multiple packaging in cardboard		300 pieces 1200 pieces
---------------------------------	--	---------------------------

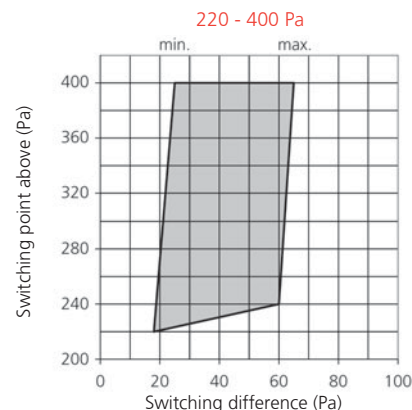
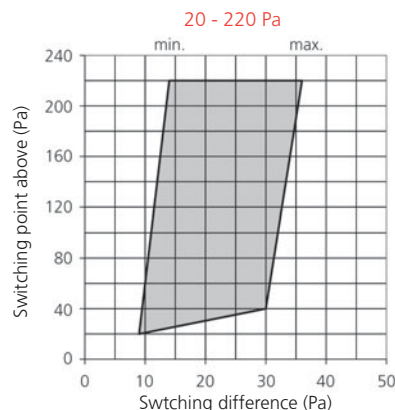
Adjustable switching differences

Switching difference adjustment only inside shaded area:

Example: Upper switching point 220 pascal.
Switching difference between 14 and 36 pascal.

Example: Upper switching point 40 pascal.
Switching difference between 9 and 30 pascal.

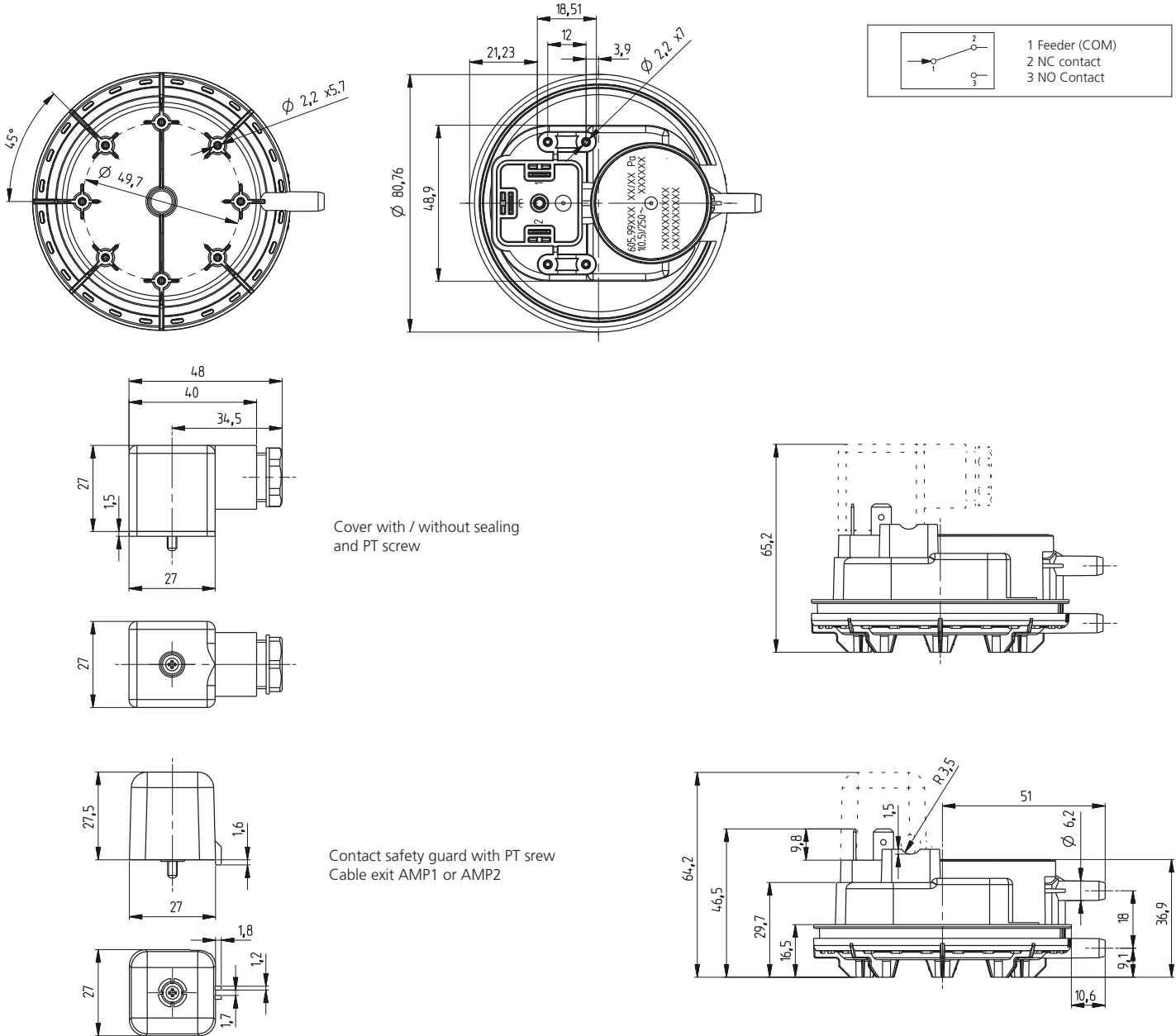
Example: Upper switching point 20 pascal,
smallest switching difference 8 pascal.



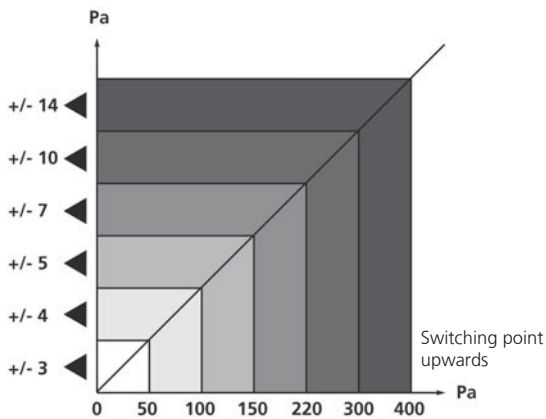
¹⁾ Higher pressures on request
⁴⁾ Fiberglass reinforced plastic 10% GF

²⁾ Higher temperatures on request
⁵⁾ According to DIN 46244

³⁾ Switching differential is factory-set

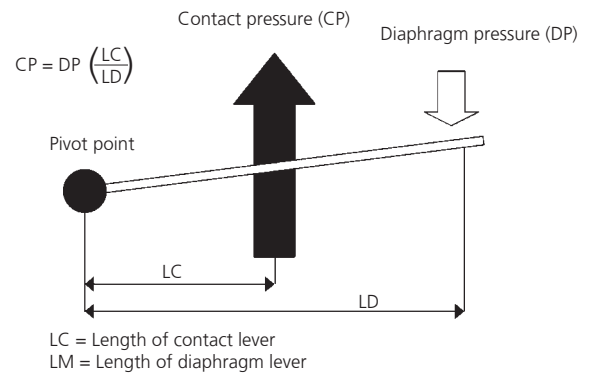


Tolerance of switching point

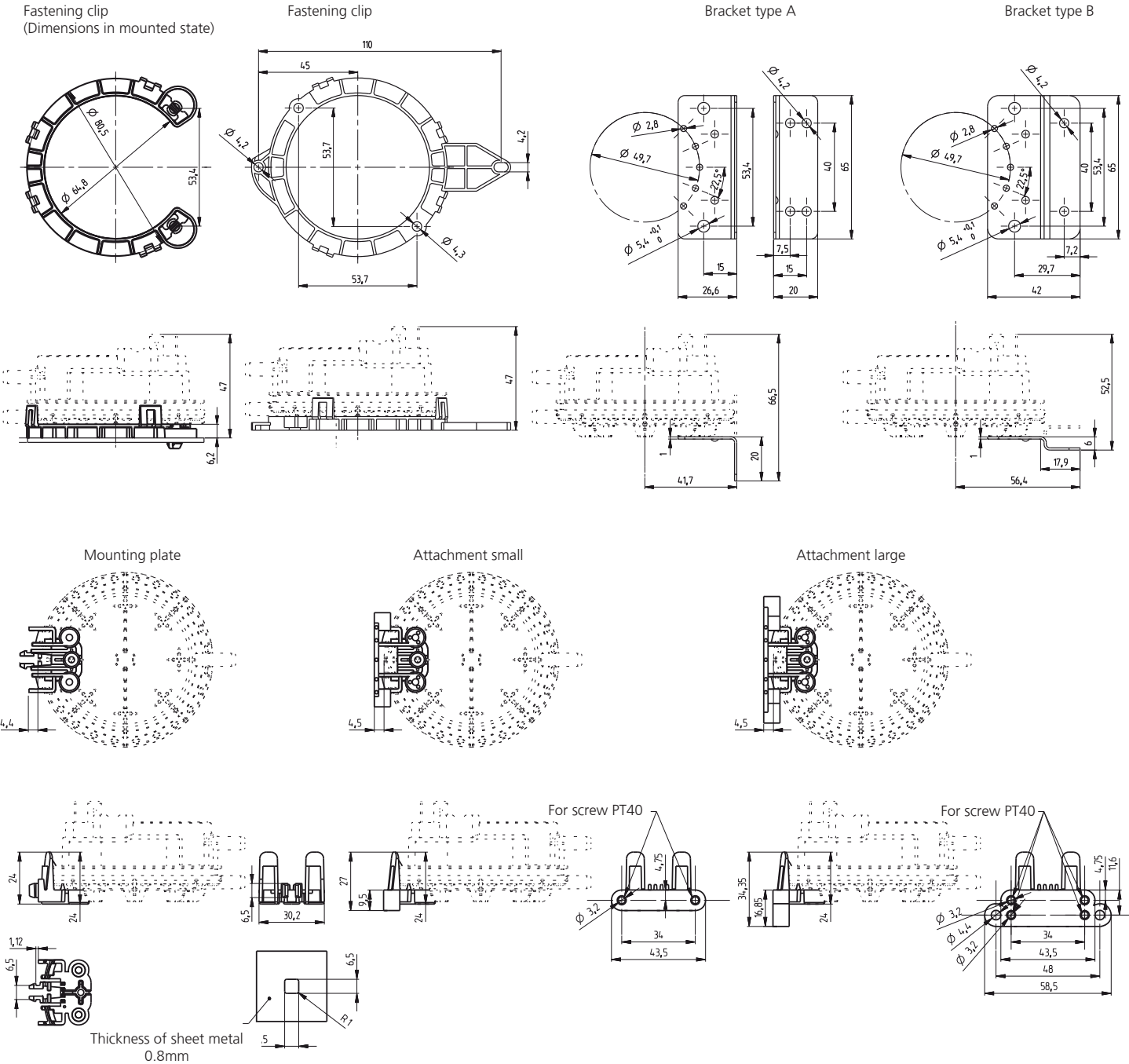


The principle of high contact pressure

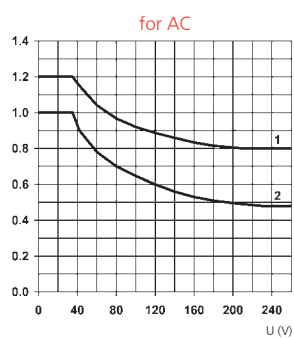
Simplified representation of the new DPS 605 contact system. The high contact pressure results from the optimized length ratios of LC and LD.



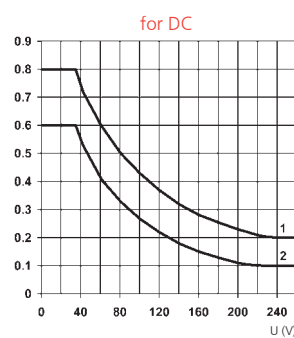
Cover with seal and PT screw	Order number	100306
Cover without seal and PT screw		100307
Cover with PT screw and cable output AMP-1		100297 + 102981 (PT screw)
Cover with PT screw and cable output AMP-2		100298 + 102981 (PT screw)
Fastening clip	Thickness of sheet metal 0.8 ... 1.1 mm	100294
	Thickness of sheet metal 1.8 ... 2.1 mm	100293
Fastening clip (with mounting holes)		106790
Bracket type A		100295
Bracket type B		100296
Calibration certificate		104551



Nominal loading limits



1 = ohmic
2 = inductive (cosφ 0.7)



1 = ohmic
2 = inductive
Can also be operated with TTL-load



FOR FINE PRESSURE AND FLOW MEASUREMENT

Huba Control AG
Headquarters

Industriestrasse 17
5436 Würenlos
Telefon +41 (0) 56 436 82 00
Telefax +41 (0) 56 436 82 82
info.ch@hubacontrol.com

Huba Control AG
Niederlassung Deutschland

Schlattgrabenstrasse 24
72141 Walddorfhäslach
Telefon +49 (0) 7127 23 93 00
Telefax +49 (0) 7127 23 93 20
info.de@hubacontrol.com

Huba Control SA
Succursale France

Rue Lavoisier
Technopôle Forbach-Sud
57602 Forbach Cedex
Téléphone +33 (0) 387 847 300
Télécopieur +33 (0) 387 847 301
info.fr@hubacontrol.com

Huba Control AG
Vestiging Nederland

Hamseweg 20A
3828 AD Hoogland
Telefoon +31 (0) 33 433 03 66
Telefax +31 (0) 33 433 03 77
info.nl@hubacontrol.com

Huba Control AG
Branch Office United Kingdom

Unit 13 Berkshire House
County Park Business Centre
Shrivenham Road
Swindon - Wiltshire SN1 2NR
Phone +44 (0) 1993 776667
Fax +44 (0) 1993 776671
info.uk@hubacontrol.com

www.hubacontrol.com