



Oil Burner Controls

LMO14...
LMO24...
LMO44...

Microcontroller-based oil burner controls for the startup, supervision and control of forced draft oil burners in intermittent operation. Standard versions with an oil throughput up to 30 kg / h, special versions above 30 kg / h.

The LMO14..., LMO24..., LMO44... and this Data Sheet are intended for use by OEMs which integrate the burner controls in their products.

Use, features

Use	The LMO... are designed for the startup and supervision of 1- or 2-stage forced draft oil burners in intermittent operation. Yellow-burning flames are supervised with photo resistive detectors QRB..., blue-burning flames with blue-flame detectors QRC... In terms of housing dimensions, electrical connections and flame detectors, the LMO... are identical with the LOA... oil burner controls.
General features	<ul style="list-style-type: none"> - Oil burners with fans to EN 267 - Burner controls for use with atomization oil burners of monoblock design to DIN EN 230:2005-10 - LMO44... for use with stationary direct-fired air heaters - Undervoltage detection - Electrical remote reset - Bridging contact for oil preheater - Monitoring of time for oil preheater - Accurate and reproducible control sequence thanks to digital signal handling - Controlled intermittent operation after 24 hours of continuous operation - Limitation of the number of repetitions - Multicolor indication of fault status and operational status messages

Warning notes



To avoid injury to persons, damage to property or the environment, the following warning notes must be observed!

Do not open, interfere with or modify the unit!

- All activities (mounting, installation and service work, etc.) must be performed by qualified staff
- Before making any wiring changes in the connection area, completely isolate the plant from mains supply (all-polar disconnection). Ensure that the plant cannot be inadvertently switched on again and that it is indeed dead. If not observed, there is a risk of electric shock hazard
- Ensure protection against electric shock hazard by providing adequate protection for the burner control's connection terminals
- Each time work has been carried out (mounting, installation, service work, etc.), check to ensure that wiring is in an orderly state and make the safety checks as described in «Commissioning notes»
- Press the lockout reset button / operation button or the AGK20... lockout reset button extension only manually (applying a force of no more than 10 N) without using any tools or pointed objects
- Fall or shock can adversely affect the safety functions. Such units must not be put into operation, even if they do not exhibit any damage
- When replacing LOA26... or LOA36..., any ARK21... remote lockout reset module or similar modules fitted in the burner or boiler must be removed



Mounting notes

- Ensure that the relevant national safety regulations are complied with

Installation notes

- Always run the high-voltage ignition cables separately while observing the greatest possible distances to the unit and to other cables
- Install switches, fuses, earthing, etc., in compliance with local regulations
- Ensure that the maximum permissible amperages will not be exceeded (refer to «Technical data»)
- Do not feed external mains voltage to the control outputs of the unit. When testing the components controlled by the burner control (fuel valves, etc.), the LMO... may never be plugged in
- Do not mix up live and neutral conductors

Electrical connection of the flame detectors

It is important to achieve practically disturbance- and loss-free signal transmission:

- Never run the detector cable together with other cables
 - Line capacitance reduces the magnitude of the flame signal
 - Use a separate cable
- Observe the maximum permissible lengths of the detector cables (refer to «Technical data»)

Commissioning notes

- When commissioning the plant or when doing maintenance work, make the following safety checks:

	Safety check	Anticipated response
a)	Burner startup with flame detector darkened	Lockout at the end of «TSA»
b)	Burner startup with flame detector exposed to extraneous light	Lockout after no more than 40 seconds
c)	Burner operation with simulated loss of flame; for that purpose, darken the flame detector during operation and maintain that state	Repetition followed by lockout at the end of «TSA»

Standards and certificates



Conformity to EEC directives
 - Electromagnetic compatibility EMC (immunity)
 - Low-voltage directive

2004/108/EC
 2006/95/EC



ISO 9001: 2000
 Cert. 00739



ISO 14001: 2004
 Cert. 38233



Type	Identification code to EN 230:
LMO14...	F M L L X N
LMO24...	F M L L X N
LMO44...	F M L L X N to WLE

Service notes

- Use the KF8885 / KF8833 / KF8840 service adapters for short periods of time only

Life cycle

Burner controls has a designed lifetime* of 250,000 burner startup cycles which, under normal operating conditions in heating mode, correspond to approx. 10 years of usage (starting from the production date given on the type field). This lifetime is based on the endurance tests specified in standard EN230 and the table containing the relevant test documentation as published by the European Association of Component Manufacturers (Afecor) (www.afecor.org).

The designed lifetime is based on use of the burner controls according to the manufacturer's Data Sheet. After reaching the designed lifetime in terms of the number of burner startup cycles, or the respective time of usage, the burner control is to be replaced by authorized personnel.

* The designed lifetime is not the warranty time specified in the Terms of Delivery

Disposal notes



The unit contains electrical and electronic components and must not be disposed of together with domestic waste.

Local and currently valid legislation must be observed.

Mechanical design

The housing is made of impact-proof, heat-resistant and flame-retarding plastic. It is of plug-in design and engages audibly in the base. Burner controls LMO... are designed in black plastic.

The housing accommodates the

- microcontroller for the control sequence and the print relays for load control
- electronic flame signal amplifier
- lockout reset button with its integrated multicolor signal lamp (LED) for operational status and fault status messages and the socket for connecting the OCI400 interface adapter or the AGK20... lockout reset button extension

Indication and diagnostics




- Multicolor indication of operational status and fault status messages
- Transmission of operational status and fault status messages and detailed service information via additional OCI400 interface adapter and ACS400 / ACS410 PC Windows software

Type summary

Type reference	Mains voltage	Fuel valve stages	Burner capacity	1)	Remote reset	Times						Comparable type of LOA... 4)
						tw max.	t1 / t1' min.	TSA max.	t3 min.	t3n max.	t4 min.	
Standard versions												
LMO14.111C2	AC 230 V	1	<30 kg/h	•	•	2.5 s	15 / 16 s	10 s	15 s	10 s	---	LOA24.171B27 LOA26.171B27 ²⁾ LOA36.171A27 ²⁾
LMO14.113C2	AC 230 V	1	<30 kg/h	•	•	2.5 s	15 / 16 s	10 s	15 s	3 s	---	LOA24.173A27 ³⁾
LMO24.111C2	AC 230 V	2	<30 kg/h	•	•	2.5 s	15 / 16 s	10 s	15 s	10 s	15 s	LOA24.171B27 LOA26.171B27 ²⁾ LOA36.171A27 ²⁾
LMO24.111C1	AC 120 V	2	<30 kg/h	•	•	2.5 s	15 / 16 s	10 s	15 s	10 s	15 s	LOA24.171B17
LMO24.113C2	AC 230 V	2	<30 kg/h	•	•	2.5 s	15 / 16 s	10 s	15 s	3 s	15 s	LOA24.173A27 ³⁾
LMO24.255C2	AC 230 V	2	</> 30 kg/h	•	•	2.5 s	25 / 26 s	5 s	25 s	5 s	15 s	---
Version for flash-steam generators												
LMO24.011C2	AC 230 V	2	<30 kg/h	•	•	2.5 s	5 / 6 s	10 s	5 s	10 s	15 s	LOA24.571C27
Suited for direct-fired air heaters												
LMO44.255C2	AC 230 V	2	</> 30kg/h	•	•	2.5 s	25 / 26 s	5 s	25 s	5 s	5 s	LOA44.252A27

Legend

TSA	Ignition safety time
tw	Waiting time
t1	Prepurge time
t1'	Purge time
t3	Preignition time
t3n	Postignition time
t4	Interval from flame signal to release of «BV2»
1)	Bridging contact for oil preheater
2)	No «SA» function
3)	In case of replacement, ignition transformer must be rewired from terminal 7 (LOA...) to terminal 6 (LMO...)
4)	LMO... can replace LOA..., but the instructions given in the Data Sheet, other technical documentation and the specification must be followed

- Oil burner control** (without plug-in base) refer to «Type summary»
- Connection accessories for small burner controls** refer to Data Sheet N7201
- Plug-in base AGK11...
 - Cable holders AGK65..., AGK66, AGK67...
 - Cable strain relief elements for AGK67...
- Connection accessories for small burner controls** refer to Data Sheet N7203
- Plug-in base AGK13...
 - Plug-in housing AGK56...
 - Cover AGK68...
- Flame detectors**
- Photo resistive detectors QRB1... refer to Data Sheet N7714
 - Blue-flame detectors QRC1... refer to Data Sheet N7716
- Interface OCI400...** refer to Data Sheet N7614
- Interface between burner control and PC
Facilitates viewing and recording setting parameters on site in connection with the ACS400 / ACS410 software
- PC software ACS400** refer to User Documentation J7350
PC software for visualizing the burner controls
- PC software ACS410** refer to User Documentation J7352
PC software for setting the parameters and for visualizing the burner controls
- Demo case KF8891** refer to User Manual B7989
- For demonstrating the functions of burner controls
- Test adapter KF8885** refer to Operating Instructions B7986
- For checking the functions of burner controls on the burner
 - With switch for manual startup of the burner
 - With switch for simulating the oil preheater's release contact
 - With 2 pairs of jacks for measuring the flame detector current
-  **Test adapter KF8833**
- For checking the functions of burner controls on the burner
 - With signal lamps for program indication
 - With one pair of jacks for measuring the flame detector current
-  **Test adapter KF8840**
- For checking the functions of burner controls on the burner
 - With signal lamps for program indication
 - With on / off switch for simulating the flame signal
 - With holes for checking the control voltages at the tabs of the burner control
 - With one pair of jacks for measuring the flame detector's resistance
-  **Extension of lockout reset button**
- Extension 19 mm: **AGK20.19**
 - Extension 43 mm: **AGK20.43**
 - Extension 55 mm: **AGK20.55**

Technical data

General unit data	Mains voltage	AC 230 V +10 % / -15 % AC 120 V +10 % / -15 %
	Mains frequency	50...60 Hz \pm 6 %
	External primary fuse (Si)	6.3 A (slow)
	Power consumption	12 VA
	Perm. mounting orientation	Optional
	Weight	Approx. 200 g
	Safety class	I (burner control with plug-in base)
	Degree of protection	IP40 (to be ensured through mounting)
	Perm. cable lengths	Max. 3 m at a line capacitance of 100 pF/m
	Detector cable laid separately	10 m
	Remote reset laid separately	20 m

Perm. current at $\cos\phi \geq 0.6$	LMO14...	LMO24...	LMO44...
Terminal 1	Max. 5 A	Max. 5 A	Max. 5 A
Terminals 3 and 8	Max. 3 A	Max. 5 A	Max. 5 A
Terminals 4 and 5	Max. 1 A	Max. 1 A	Max. 1 A
Terminal 6	Max. 1 A	Max. 1 A	Max. 2 A
Terminal 10	Max. 1 A	Max. 1 A	Max. 1 A

Environmental conditions

Storage	DIN EN 60721-3-1
Climatic conditions	Class 1K3
Mechanical conditions	Class 1M2
Temperature range	-20...+60 °C
Humidity	<95 % r.h.
Transport	DIN EN 60721-3-2
Climatic conditions	Class 2K2
Mechanical conditions	Class 2M2
Temperature range	-20...+60 °C
Humidity	<95 % r.h.
Operation	DIN EN 60721-3-3
Climatic conditions	Class 3K3
Mechanical conditions	Class 3M3
Temperature range	
- LMO14... / LMO24...	-5...+60 °C
- LMO44...	-20...+60 °C
Humidity	<95 % r.h.



Condensation, formation of ice and ingress of water are not permitted!

Technical data (cont'd)

Flame supervision with QRB... or QRC...

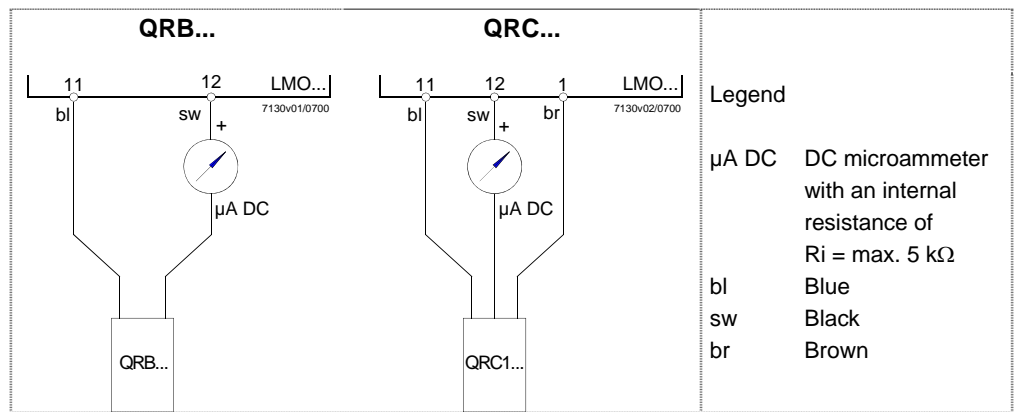
	Detector current required (with flame)	Perm. detector current (without flame)	Possible detector current with flame (typically)
QRB...¹⁾	Min. 45 µA	Max. 5.5 µA	Max. 100 µA
QRC...¹⁾	Min. 70 µA	Max. 5.5 µA	Max. 100 µA

Green LED for operational status indication

	Detector current in operation: - Flame signal instable - Green LED flashing	Detector current in operation: - Flame signal stable - Green LED steady on
QRB...¹⁾	<45 µA	>45 µA
QRC...¹⁾	<45 µA	>45 µA

- 1) The values given in the table above only apply under the following conditions:
- Mains voltage depending on execution AC 120 V or AC 230 V
 - Ambient temperature 23 °C

Measuring circuit for detector current



As an alternative to detector current measurement, the diagnostic tool OCI400 / with PC software ACS400 / ACS410 can be used. In that case, the DC microammeter is not required.

Function

Preconditions for startup	<ul style="list-style-type: none"> • Burner control is reset • Reset button «EK1» or «EK2» not used • All contacts in the line are closed and there is demand for heat • No undervoltage • Flame detector is darkened and there is no extraneous light
Undervoltage	<ul style="list-style-type: none"> • Safety shutdown from the operating position takes place should mains voltage drop below about AC 165 V (U_N = AC 230 V) or AC 75 V (U_N = AC 120 V) • Restart is initiated when mains voltage exceeds about AC 175 V (U_N = AC 230 V) or AC 95 V (U_N = AC 120 V)
Time supervision oil preheater	If the oil preheater's release contact does not close within 10 minutes, the burner control will initiate lockout.
Controlled intermittent operation	After no more than 24 hours of continuous operation, the burner control will initiate automatic controlled shutdown followed by a restart.
Control sequence in the event of fault	If lockout occurs, the outputs for the fuel valves, the burner motor and the ignition equipment will immediately be deactivated (<1 second). In the event of lockout, the LMO... remains locked and the red signal lamp (LED) will light up. The burner control can immediately be reset. This state is also maintained in the case of mains failure.

Cause	Response
Mains failure	Restart
Voltage has fallen below the undervoltage threshold	Safety shutdown, followed by restart
Extraneous light during «t1», 5 s before «BV1» release	Lockout at the end of «t1»
Extraneous light during «tw»	Prevention of startup, lockout after 40 seconds at the latest
No flame at the end of «TSA»	Lockout at the end of «TSA», blink code 2
Loss of flame during operation	Max. 3 repetitions, followed by lockout
Oil preheater's release contact does not close within 10 minutes	Lockout

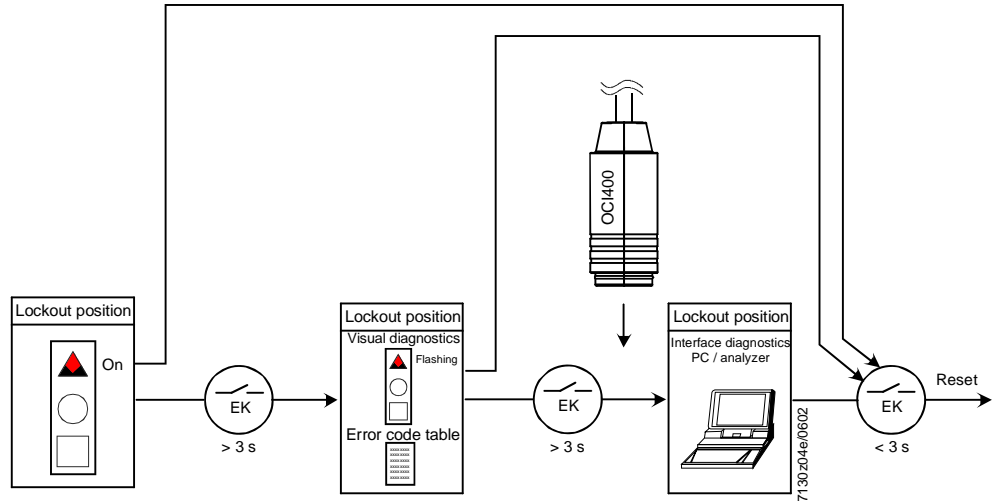
Resetting the burner control	When lockout occurs, the burner control can immediately be reset. To do this, press the lockout reset button for about 1 second (<3 seconds). The LMO... can only be reset when all contacts in the line are closed and when there is no undervoltage.
Ignition program with LMO14.113x2 and LMO24.113x2	If the flame is lost during «TSA», the burner will be reignited, but only until the end of «TSA». This means that several ignition attempts can be made during «TSA» (refer to «Control sequence»).
Limitation of repetitions	If the flame is lost during operation, a maximum of 3 repetitions can be made. If the flame is lost for the fourth time during operation, the burner will initiate lockout. The repetition count is restarted each time controlled switching on by «R» takes place.

Operation, display, diagnostics (cont'd)

Diagnostics of the cause of fault

After lockout, the red fault signal lamp remains steady on. In that condition, the visual diagnostics of the cause of fault according to the error code table can be activated by pressing the lockout reset button for more than 3 seconds. Pressing the reset button again for at least 3 seconds, the interface diagnostics will be activated. Interface diagnostics works only if the AGK20... lockout reset button extension is not fitted. If, by accident, interface diagnostics has been activated, in which case the slightly red light of the signal lamp flickers, it can be deactivated by pressing again the lockout reset button for at least 3 seconds. The instant of switching over is indicated by a yellow light pulse.

The following sequence activates the diagnostics of the cause of fault:



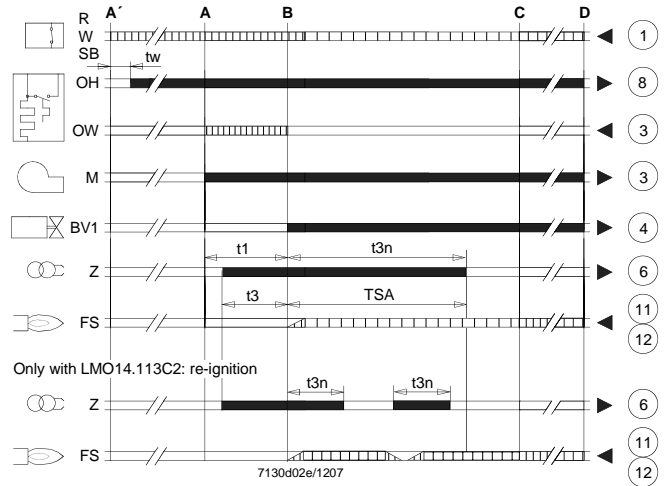
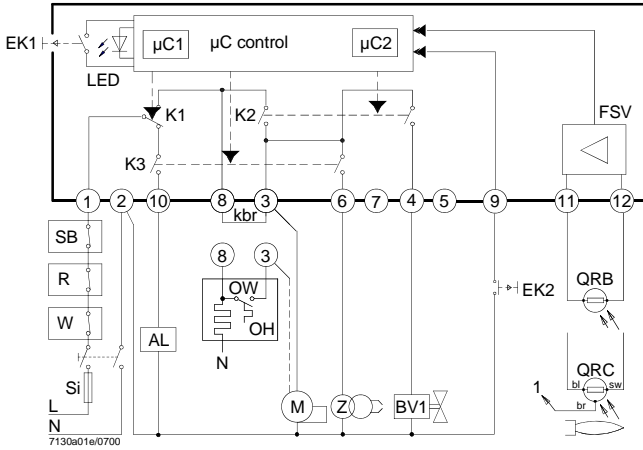
Error code table		
Red blink code of signal lamp (LED)	«AL» at term. 10	Possible cause
2 blinks	On	No establishment of flame at the end of «TSA» - Faulty or soiled fuel valves - Faulty or soiled flame detector - Poor adjustment of burner, no fuel - Faulty ignition equipment
3 blinks	On	Free
4 blinks	On	Extraneous light on burner startup
5 blinks	On	Free
6 blinks	On	Free
7 blinks	On	Too many losses of flame during operation (limitation of the number of repetitions) - Faulty or soiled fuel valves - Faulty or soiled flame detector - Poor adjustment of burner
8 blinks	On	Time supervision oil preheater
9 blinks	On	Free
10 blinks	Off	Wiring fault or internal fault, output contacts, other faults

During the time the cause of fault is diagnosed, the control outputs are deactivated burner remains shut down.

The diagnostics of the cause of fault is quit and the burner switched on again by resetting the burner control. Press the lockout reset button for about 1 second (<3 seconds).

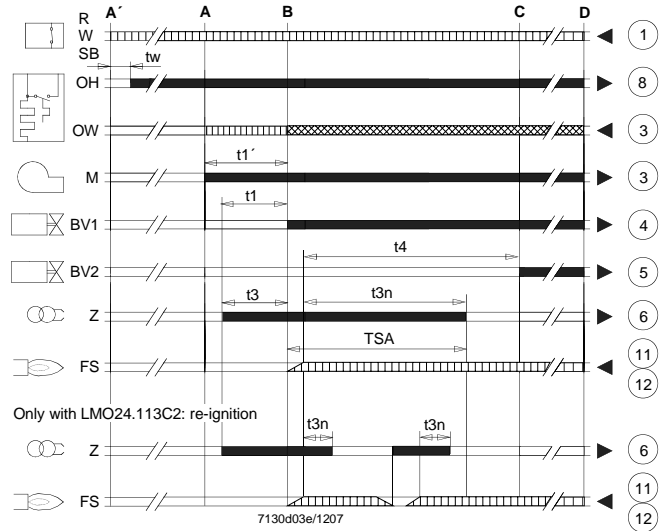
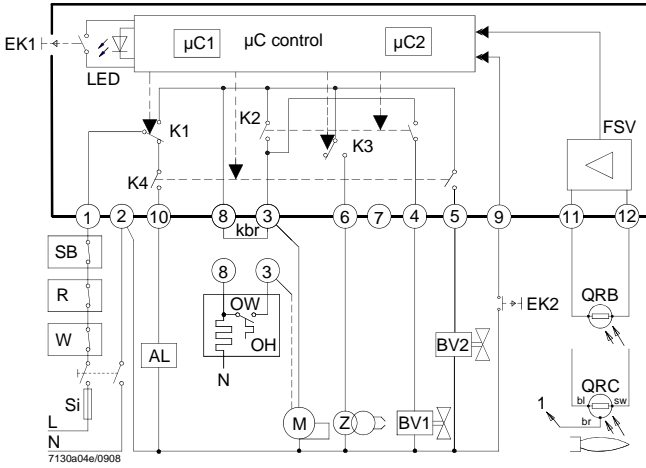
Connection diagram and internal diagram LMO14...

Control sequence LMO14...



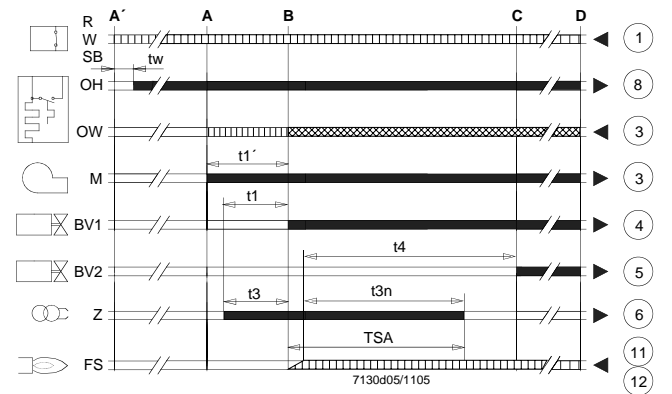
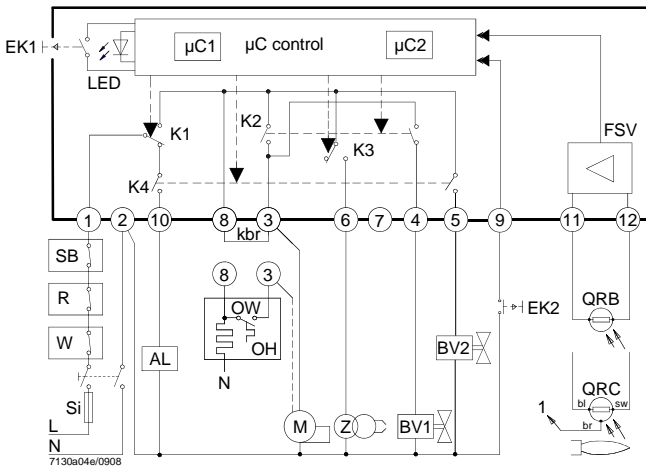
Connection diagram and internal diagram LMO24...

Control sequence LMO24...






Connection diagram and internal diagram LMO44...

Control sequence LMO44...



Legend

AL	Alarm device
BV...	Fuel valve
EK1	Lockout reset button
EK2	Remote lockout reset button
FS	Flame signal
FSV	Flame signal amplifier
K...	Contacts of control relay
kbr	Cable link (required only when no oil preheater is used)
LED	3-color signal lamp
M	Burner motor
OW	Release contact of oil preheater
OH	Oil preheater
QRB...	Photo resistive flame detector
QRC...	Blue-flame detector
	bl = blue, br = brown, sw = black
R	Control thermostat or pressurestat
SB	Safety limit thermostat
Si	External primary fuse
W	Limit thermostat or pressure switch
Z	Ignition transformer
TSA	Ignition safety time
tw	Waiting time
t1	Prepurge time
t1'	Purge time
t3	Preignition time
t3n	Postignition time
t4	Interval from flame signal to release of «BV2»
A'	Start of startup sequence with burners using an «OH»
A	Start of startup sequence with burners using no «OH»
B	Time of flame establishment
C	Operating position
D	Controlled shutdown by «R»
	Control signals
	Required input signals
	Perm. input signals
μC1	Microcontroller 1
μC2	Microcontroller 2

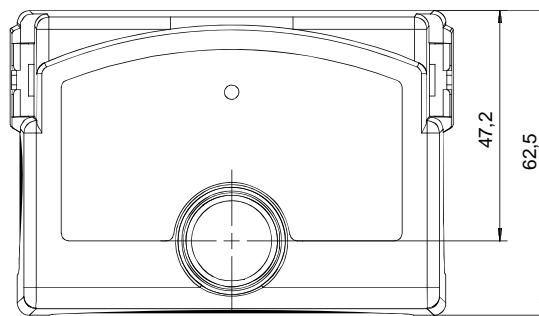
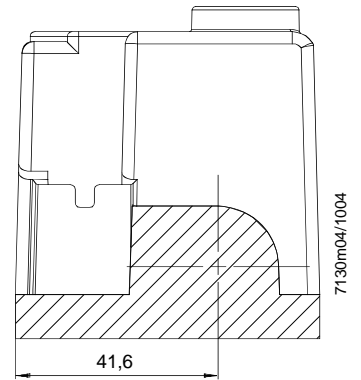
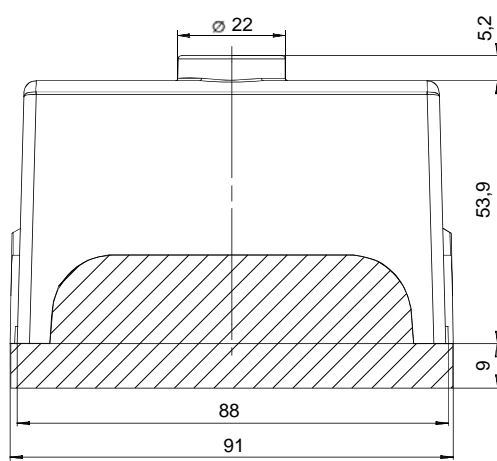
Dimensions

Dimensions in mm

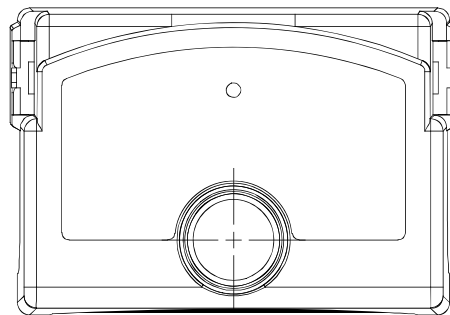
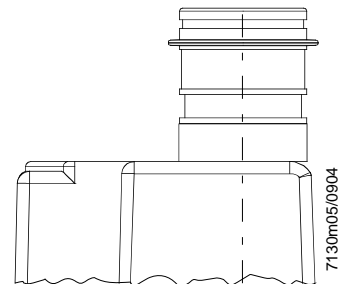
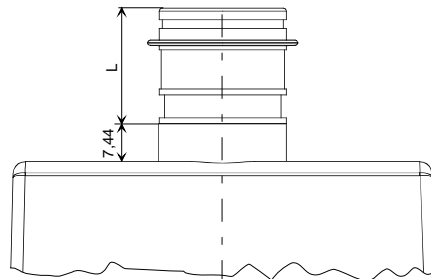
LMO...



Plug-in base AGK11... / AGK13...



LMO... with extension of lockout reset button AGK20...



Type reference	Length «L» in mm
AGK20.20	19
AGK20.43	43
AGK20.55	55