

BSG Pompe caratteristiche

12/02/2013

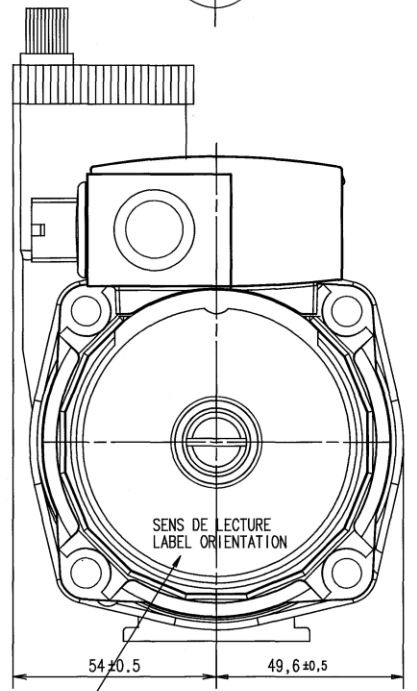
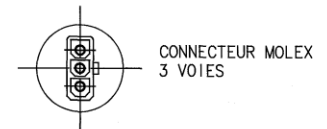
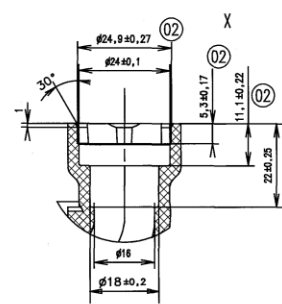
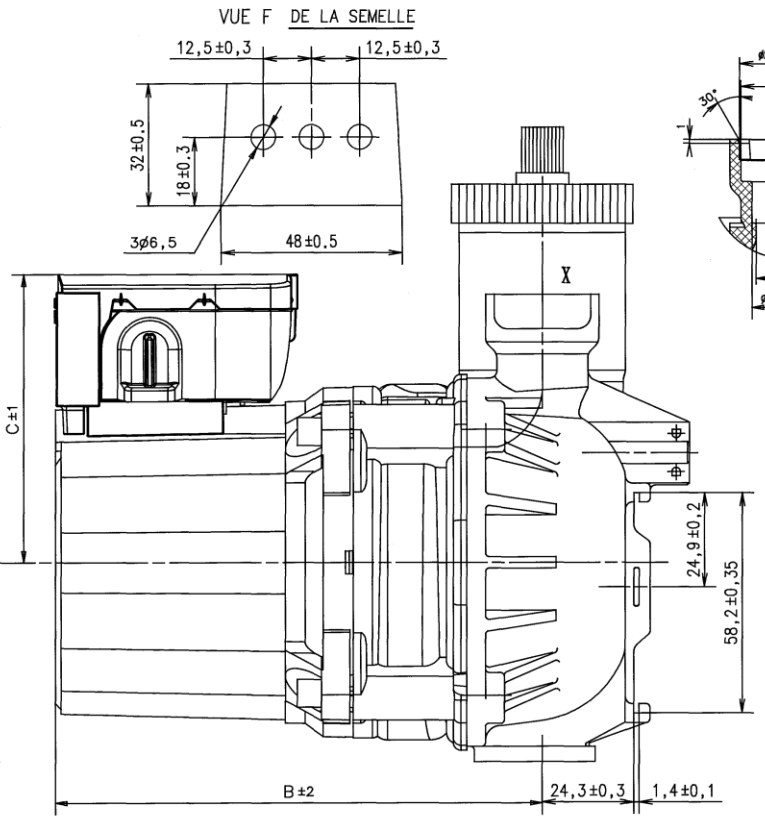
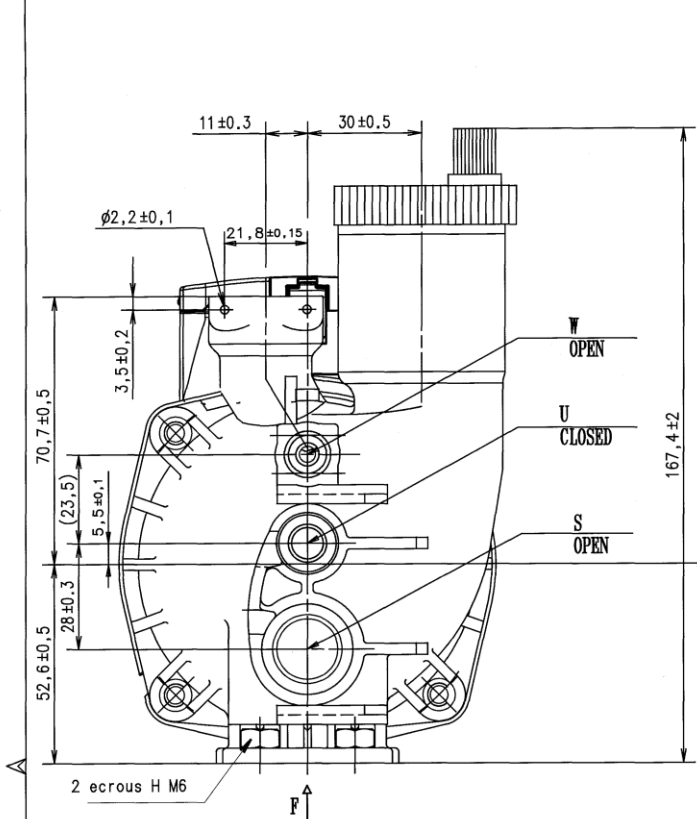
LECOCQ Antoine, Customer Quality Department

Codice BSG	Codice WILO
4022-3080-23	4512558

NFHUL15/5-1-CLF-12 UK

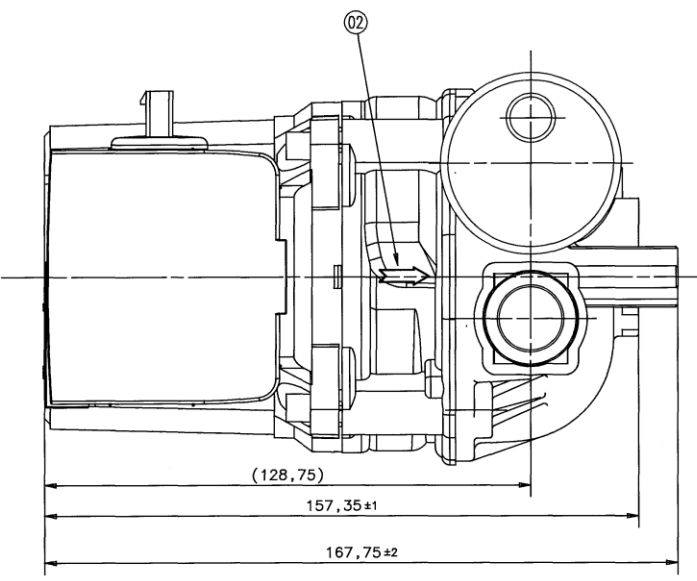
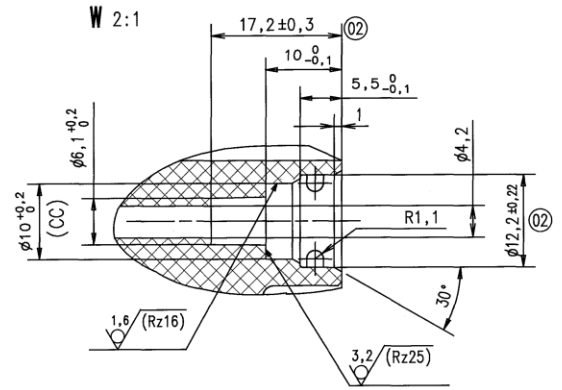
Codice BSG	Codice WILO
4028-1000-01	4513082

Motore NFHUL15/5-1-CLF-12



SYMBOLISE L'ORIENTATION DE LA PLAQUE D'IDENTITE
SHOWS LABEL ORIENTATION

M71-10	128,8	72.5	/2	13
M71-20	128,8	72.5	/4	13
PREMIUM	128,8	72.5		PREMIUM
M71-23	128,8	72.5	/4.1	34
M71-25	128,8	72.5	/5	42
M78-30	128,8	76	/4.3	35
M78-35	128,8	76	/5	43
M78-40	128,8	76	/6	53
M78-45	128,8	76	/6.7	57
M78-50	141,8	76	/7	63
TYPE	B	C	/*	**



ORIGINAL
WILO INTEC
Si imprimé en rouge
if red Printed

0.2 pour les trous des connections U, W, S, X
0.2

Screwing torque according to ST4513775 (critical dimensions)
COUPLE DE SERRAGE DES VIS SUIVANT ST 4513775 (CC) :

Part number/index		General tolerances		Surface finish	
CC : Critical dimension					
Dimensioning following ISO norms :					
8015, 8459, 1101, 8458, 3040, 2692, 10578					
Material				Scale 1/1	
NFHUL15/*-1 CLF12					

03	17/04/09	16668/3	BAALI		
02	08/01/09	16492/2	LE STRAT		
01	17/10/06	14715/5	LE STRAT		
Id	Date	Folder	Created by	Visa	
Approved by					

WILO INTEC Old drawing number : .
Drawing number : **4 517 741 03**

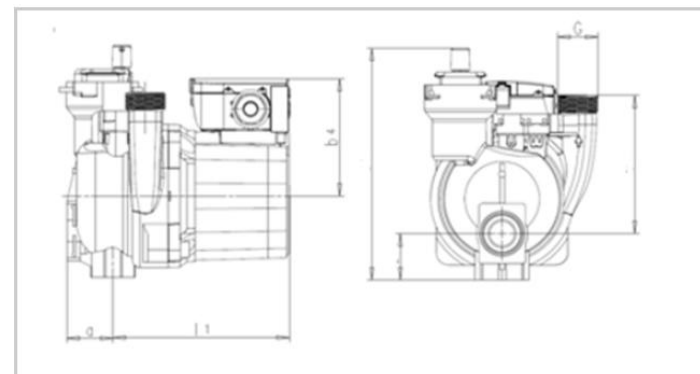
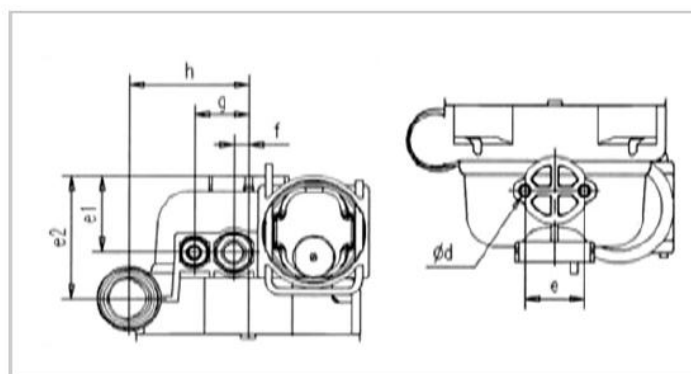
Codice BSG	Codice WILO
4022-3080-28	4513554

Codice BSG	Codice WILO
4028-1000-05	4514228

NFSL12/5-HE-1-CRF-9 UK

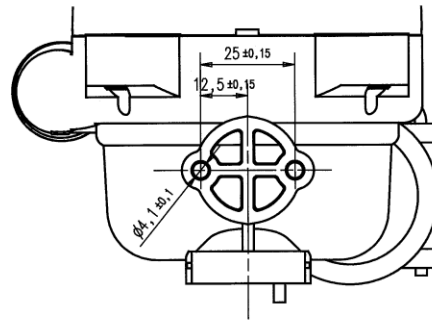
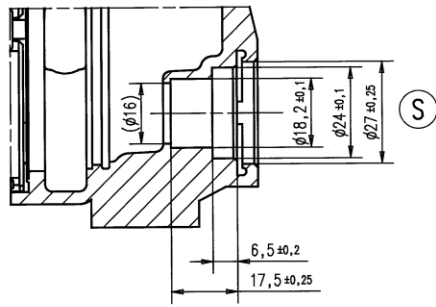
Motore NFSL12/5-HE-1-CRF-9

d	4,1
e	25
e1	31,5
e2	50,75
f	6
g	22
h	49

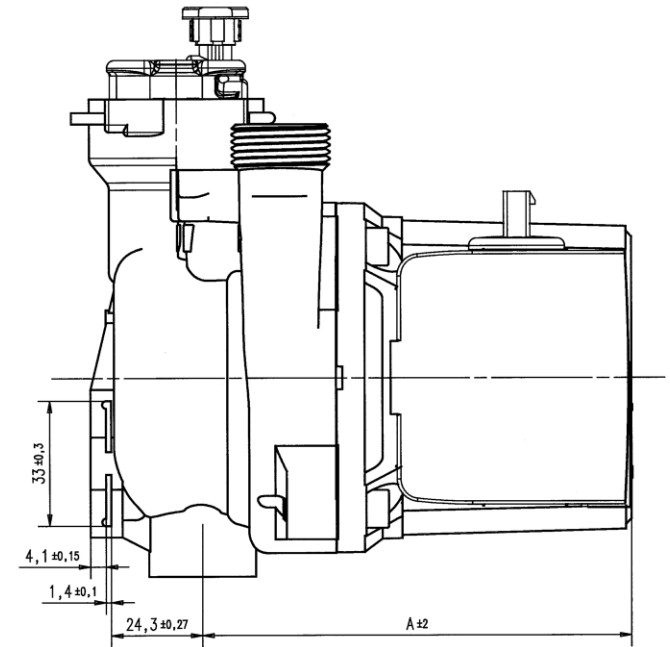
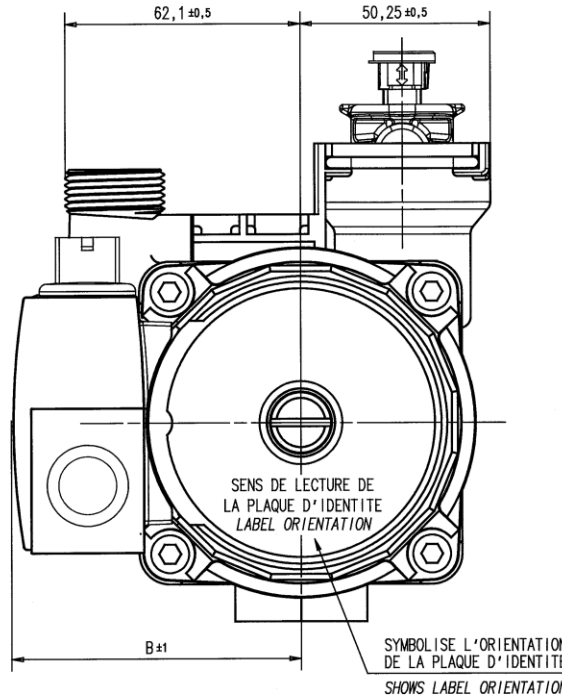
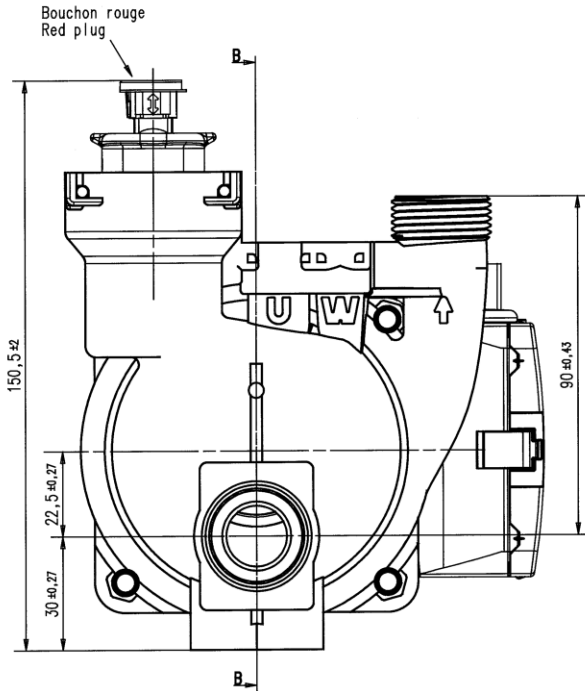


	Thread	Dimensions		
	G	l1	a	b4
NFSL12/Premium – DNFS,/Premium-12	3/4"	114	29,8	72,5
NFSL12/5 HE – DNFS,/43 HE-12	3/4"	114	29,8	72,5
NFSL12/6 HE – DNFS,/53 HE-12	3/4"	114	29,8	72,5
NFSL12/6 HEP – DNFS,/53 HEP-12	3/4"	114	29,8	76
NFSL12/6 Compact – DNFS,/53 Compact-12	3/4"	114	29,8	72,5
NFSL12/7 Compact – DNFS,/63 Compact-12	3/4"	127	29,8	76

	n l/min	P1 W	I A	Capacitor µf /VDB
NFSL12/5 HE DNFS,/43 HE-12	max	2400	77	2 / 400
		2000	56	
	min	1650	36	

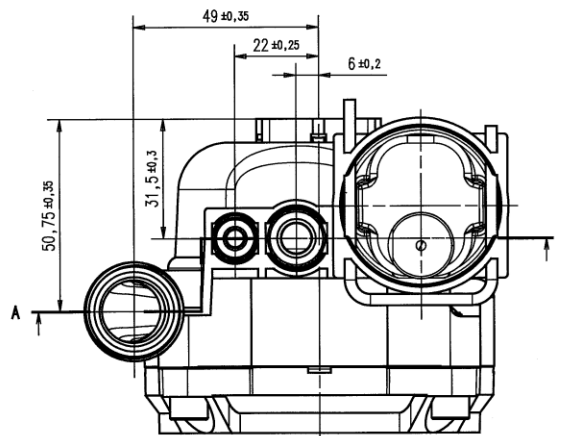
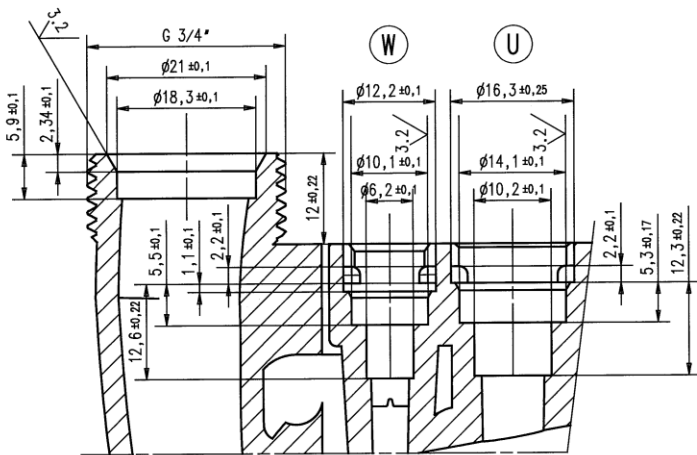


M71-10	114	72.5	/2	13
M71-20	114	72.5	/4	13
PREMIUM	114	72.5	PREMIUM	
M71-23	114	72.5	/4.1	34
M71-25	114	72.5	/5	42
M78-30	114	76	/4.3	35
M78-35	114	76	/5	43
M78-40	114	76	/6	53
M78-45	114	76	/6.7	57
M78-50	127	76	/7	63
TYPE	A	C	/*	**



ORIGINAL
WILO INTEC
Si imprimé en rouge
if red Printed

COUPLES DE VISSAGE (CC) SUIVANT SPECIFICATION TECHNIQUE 4513775
SCREWING TORQUE ACCORDING TO TECHNICAL SPECIFICATION 4513775 (CRITICAL DIMENSIONS)

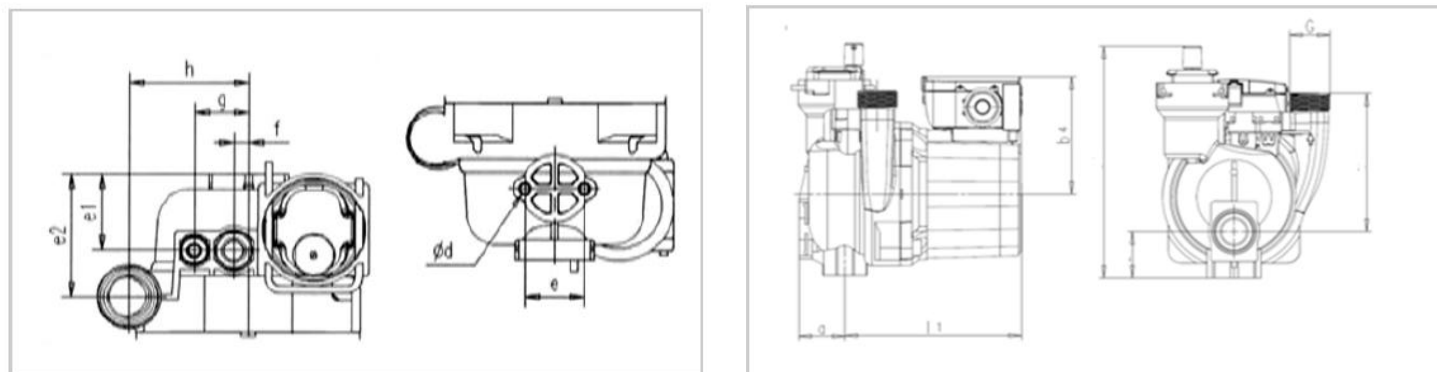


Part number/index : .	General tolerances : .	Surface finish : .
CC : Critical dimension		
Dimensioning following ISO norms : 8015, 5439, 1101, 5436, 3040, 2692, 10578		
Material : .	Scale 1:1	
NFSL 12/* HE-1 - CRF 9 IP44 DNFSL** HE12 - CRF 9 IP44		
01 27/05/08 16080/1 BOUET Je	Old drawing number : .	
Id Date Folder Created by	Drawing number : .	
Approved by	WILO INTEC	4 520 511 01

Codice BSG	Codice WILO
4022-3080-29	4513544

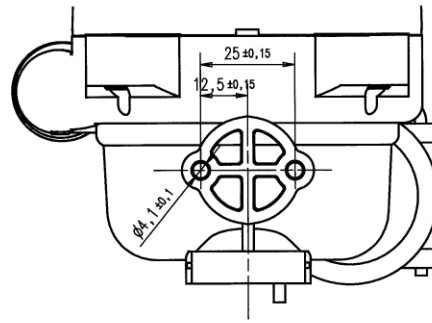
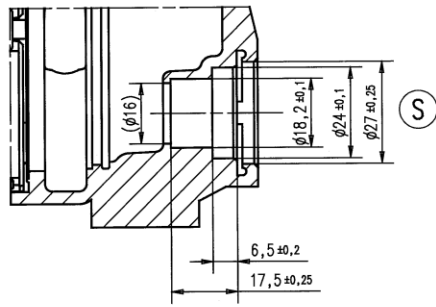
NFSL12/6-HEP-1-CRF-9

d	4,1
e	25
e1	31,5
e2	50,75
f	6
g	22
h	49

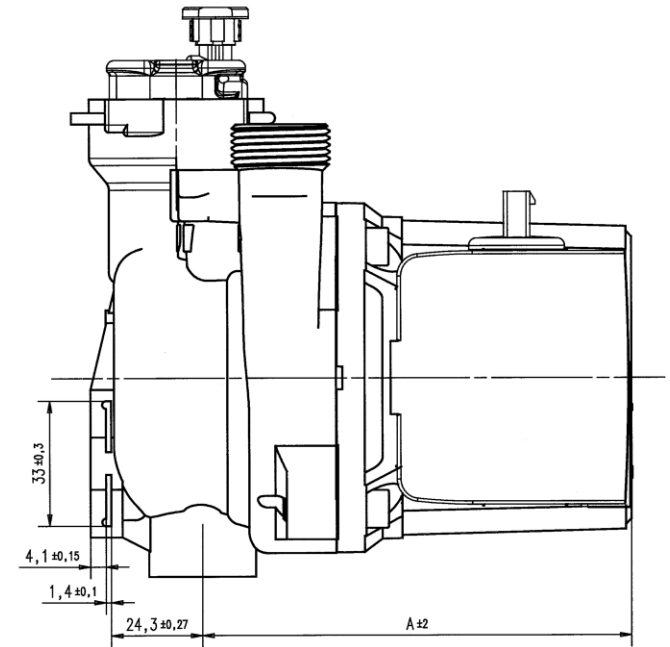
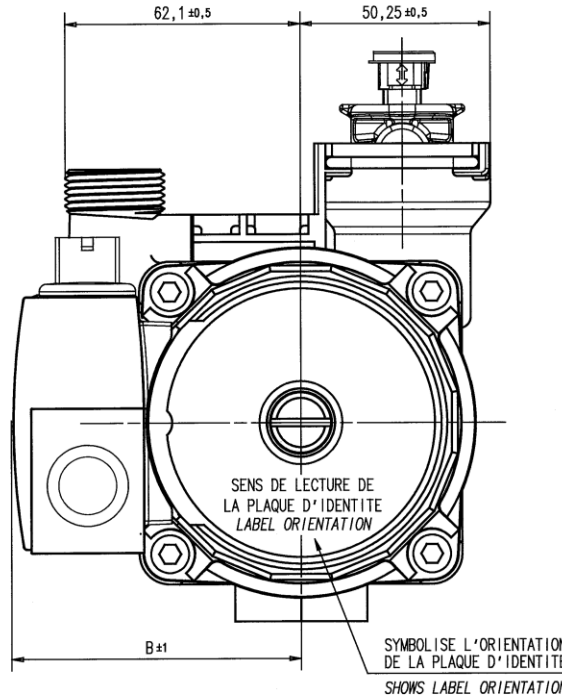
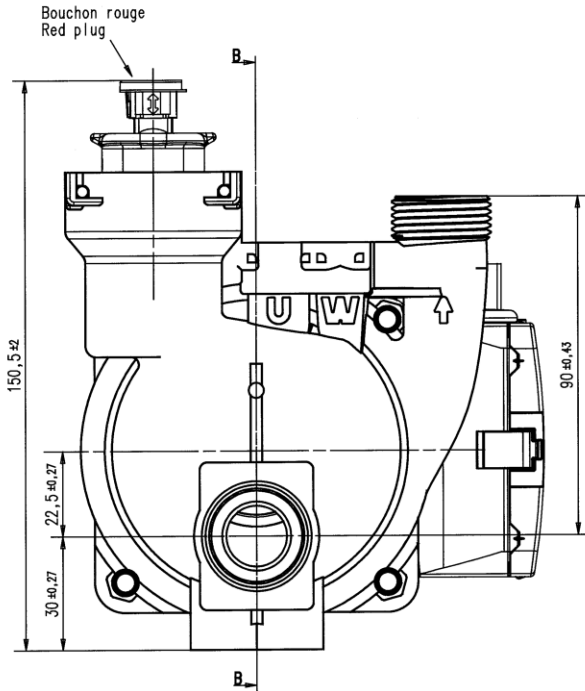


	Thread	Dimensions		
	G	l1	a	b4
NFSL12/Premium – DNFS,/Premium-12	3/4"	114	29,8	72,5
NFSL12/5 HE – DNFS,/43 HE-12	3/4"	114	29,8	72,5
NFSL12/6 HE – DNFS,/53 HE-12	3/4"	114	29,8	72,5
NFSL12/6 HEP – DNFS,/53 HEP-12	3/4"	114	29,8	76
NFSL12/6 Compact – DNFS,/53 Compact-12	3/4"	114	29,8	72,5
NFSL12/7 Compact – DNFS,/63 Compact-12	3/4"	127	29,8	76

	n l/min	P1 W	I A	Capacitor µf /VDB
NFSL12/6 HEP DNFS,/53 HEP-12	max	2400	83	2,6 /400
		2130	58	
	min	1820	40	

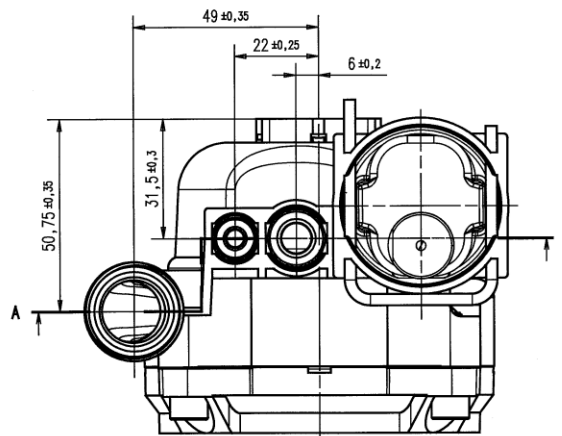
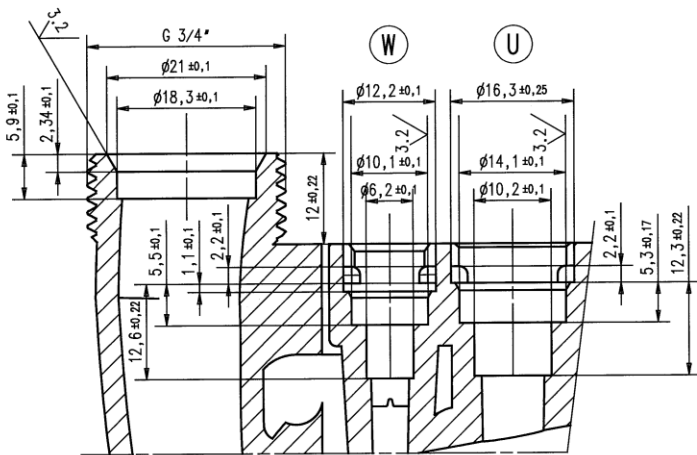


M71-10	114	72.5	/2	13
M71-20	114	72.5	/4	13
PREMIUM	114	72.5	PREMIUM	
M71-23	114	72.5	/4.1	34
M71-25	114	72.5	/5	42
M78-30	114	76	/4.3	35
M78-35	114	76	/5	43
M78-40	114	76	/6	53
M78-45	114	76	/6.7	57
M78-50	127	76	/7	63
TYPE	A	C	/*	**



ORIGINAL
WILO INTEC
Si imprimé en rouge
if red Printed

COUPLES DE VISSAGE (CC) SUIVANT SPECIFICATION TECHNIQUE 4513775
SCREWING TORQUE ACCORDING TO TECHNICAL SPECIFICATION 4513775 (CRITICAL DIMENSIONS)



Part number/index : .	General tolerances : .	Surface finish : .
CC : Critical dimension		
Dimensioning following ISO norms : 8015, 5439, 1101, 5436, 3040, 2692, 10578		
Material : .	Scale 1:1	
NFSL 12/* HE-1 - CRF 9 IP44 DNFSL** HE12 - CRF 9 IP44		
01 27/05/08 16080/1 BOUET Je	Old drawing number : .	
Id Date Folder Created by	Drawing number : .	
Approved by	WILO INTEC	4 520 511 01