



ASSEMBLY HANDBOOK


MATEL HAMMADDE SAN. ve TİC. A.Ş.

Branch : MATEL Hammadde San. ve Tic. A.Ş.
Yalı Mah. Ziya Gökalp Cad. No:3 34844 Maltepe / İSTANBUL
+90 216 441 22 84 (pbx)
+90 216 441 22 87 (fax)

Headquarters-Plant : SEREL Ceramic Sanitary Wares Factory
OSB Atatürk Cad. No:14 45030 MANİSA
+90 236 233 24 52 (pbx)
+90 236 233 24 55 (fax)

Web : www.serel.com.tr

E-Mail : info@serel.com.tr

MATEL HAMMADDE SAN ve TİC. A.Ş. , IS A MEMBER OF  **Elginkan** GROUP.

JANUARY - 2012

PREFACE

Living healthy and comfortable in today's modern buildings depends on efficient functioning of many integrated complex systems including sanitary plumbings. This is possible only if people, who take part at design, Project and application processes, have enough experience and knowledge about sanitary installations.

There are many examples for false installations, which were built by unexperienced and unqualified people. They have unfortunately a short lifetime caused by improper installations.

Technological developments and new design works let us update our product informations and instructions. This copy of the new edition is a revised and reviewed one, which includes all new SEREL products and their technical datas.

Finally we would like to thank all people, who did effort for this handbook. We kindly hope that it will be useful for your applications.

“Together for years...”

ADVISORY INSTRUCTIONS FOR THE ASSEMBLY AND INSTALLATION OF CERAMIC SANITARY WARES - I

- Before the installation begins; all dimensions, rules, instructions and user manuals must be inspected carefully.
- Take care of using original SEREL assembly kits etc.
- During architectural and mechanical design process, all ceramic sanitary wares must be predetermined.
- When finishing the piping system, trials for leakage and pressure must be carried out. After that, ends of pipings must be closed against external effects such as construction wastes, papers, cement, etc.
- Additional templates can be used for special cases.
- Always check out for the statical structure of the building.
- Considering urinals is preferable since they are hygienic and water-saving items.
- Waste holes for WC pans and bathtubs must be located at specific places, where they can be accessed easily .
- Extreme care must be taken of ceramic sanitary wares since they are fragile and vulnerable against external conditions of construction site like freeze; rain, transport, etc.
- Assembled sanitary wares inhouse must be protected against paint, whitewash, etc...
- Always check out for a considerable slope throughout the finished floor inside the bathroom , since it may cause problems during floor installed items like pedestals, bidets, wc pans, etc....
- The level of finished floor and wall are essentially important before the installation of concealed cistern systems.

ADVISORY INSTRUCTIONS FOR THE ASSEMBLY AND INSTALLATION OF CERAMIC SANITARY WARES - II

- The wall and floor intersections must be clear and straight to keep the angle in proper state required for the installation of back to wall close coupled wc pans.
- Notice the gap between hot and cold water inlets must not exceed the dimensions given on product's specifications.
- When installing washbasins onto preconstructed systems like gypsum panel walls, the distance between assembly holes behind the product must be checked out.
- The vanity-type basins must be used as cut-out templates during the preparation of counters.
- Be sure that beneath of shower trays must be fulfilled with dry sand before the installation. This gives an excellent fit to the product; besides it prevents the acoustical echo of the water drops falling on the surface.
- Always use appropriate drill bits and raw plugs .
- Extreme care must be taken on the location of assembly holes to drill, since they may intersect with other piping systems behind the finished wall (electrical, gas, etc...)
- The central tap hole is usually left open on basins. For concealed type of taps, the closed holes at two sides of the central hole must be opened carefully with the help of a hammer as shown on the page "Wasbasin Assembly".
- Vertical and horizontal axis are essentially helpful for the installation of ceramic sanitary wares. Always use water gauge and measuring tape.
- Do not use any construction wastes like cement, slag, rubble, etc. as a filling layer underneath the shower trays.

INDEX

ASSEMBLY INSTRUCTIONS

• Washbasin & Semi Pedestal (Spring Type Assembly)	11-11
• Washbasin & Semi Pedestal (Screw, Adjustable Type)	12-13
• Corner Washbasin	14-14
• BTW (Back to Wall) (Close Coupled WC Pan)	15-16
• BTW (Back to Wall) Universal WC Pan (With Straight Pipe)	17-18
• Standard WC Pan (With Special "S" Connector)	19-19
• Standard WC Pan (Universal P-Trap)	20-20
• Universal WC Pan (Connected to the Wall With Eccentric Trap)	21-21
• BTW (Back to Wall) Bidet	22-23
• Bidet	24-24
• Wall Hung Bidet	25-25
• Wall Hung WC Pan	26-26
• Syphon Urinal & Wall Separator (Plastic Syphon, Duroplast Lid, Assembly Kit with Adjustable Strip)	27-28
• Squatting Pan	29-29
• Shower Tray	30-30
• Ceramic Cover Syphon Group	31-31
• SEREL Marine (Assembly of Washbasin, Semi Pedestal, U-Type Furniture And Mirror)	32-34
• SEREL Orca Assembly of Monoblock Cistern (Vertical to Floor)	35-37
• SEREL Orca Assembly of Monoblock Cistern (Paralel to Floor)	38-40
• SEREL Verda Assembly of Monoblock Cistern (Vertical to Floor)	41-43
• SEREL Verda Assembly of Monoblock Cistern (Paralel to Floor)	44-46
• SEREL Renata Assembly of Monoblock Cistern (Vertical to Floor)	47-49
• SEREL Renata Assembly of Monoblock Cistern (Paralel to Floor)	50-52
• Assembly of Wall Hung WC Pan With Assembly Adaptor	53-54
• 0149 Assembly of Standard Urinal	55-55
• 0120 Assembly of Urinal Wall Separator	56-56
• 0129 Assembly of Syphon Urinal (Top/Rear Entrance of Clean Water)	57-58
• 0139 Assembly of Syphon Urinal (Top/Rear Entrance of Clean Water)	59-60
• Assembly of SEREL EQ Modular Shower Unit	61-62
• Changing the Component of SEREL SilentClose Seat Cover	63-63

INDEX

BATHROOM SUITS

• Marine	67-69
• Pebble	70-74
• Smart	75-81
• Diagonal	82-91
• Daphne	92-94
• Orca	95-100
• Verda	101-114
• Renata	115-119
• Petunya	120-131
• Delta	132-140
• Prelude	141-143
• Orkide	144-159
• Bianca	160-166
• Lale	167-177
• Friendly	178-194
• Lila & Damla	195-200
• Ena	201-202
• Sardes	203-205
• Zambak	206-209
• Krizantem	210-219
• Anemon	220-225

SPECIAL SERIES

• Minimal Washbasin Series	229-249
• Multifunctional Washbasins	250-252
• Special Serie for Disabled People	253-255
• Special Serie for Children	257-257

SINGLE PIECES

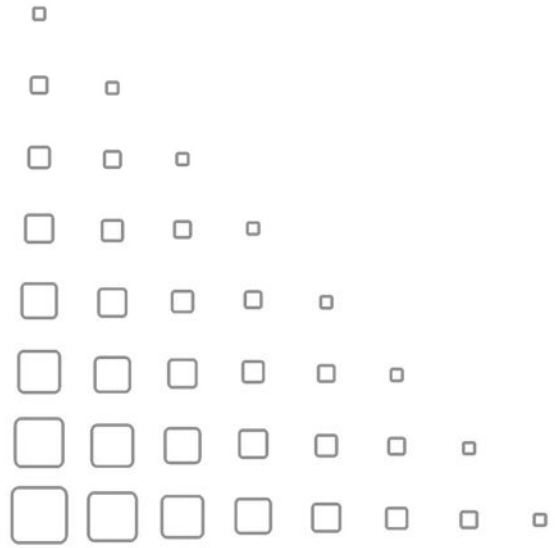
• Washbasins with Shelves	261-276
• Vanity Washbasins	277-287
• Washbasins	288-292
• WC Pans & Bidets	293-303
• Squatting Pans	304-304
• Urinals & Separators	305-314
• Shower Trays	315-340

COMPLEMENTARY PRODUCTS

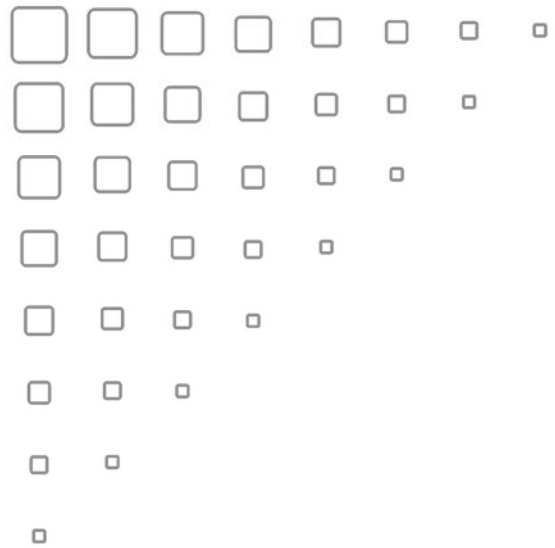
• Seats & Covers	343-346
------------------	---------

ACCESSORIES	349-355
-------------	---------

EXTRAS	359-360
--------	---------



ASSEMBLY INSTRUCTIONS



ASSEMBLY INSTRUCTIONS

Washbasin & Semi Pedestal (Spring, Adjustable Type)



- 1** See the location of closed holes at washbasin, first.



- 2** When you look behind of the basin; you will see the closed holes. Never try to open them from this side.



- 3** The central tap holes are left open during the mass production. For recessed tap systems; the closed holes at left and right sides must be open with a sharp pointed hammer with patience, from the top.



- 4** The front of the washbasin will be temporarily set to 800 mm. above the finished floor and the centres of assembly holes behind will be traced on the wall. Always use additional axis and centres to assist for a proper and balanced assembly process.



- 5** Drill the holes with suitable bits, insert raw plugs. Install the interval taps for clean water and washbasin tap. Slide the plastik bushes and washers, screw the nuts.



- 6** After fixing the washbasin, make the connections between interval taps and basin tap with 3/8" flexible connection pipe.



- 7** Attack spring system to holes on suitable one as shown on picture.



- 8** The main body of the assembly kit is fixed to washbasin assembly bolt, with the help of nuts, as shown on the above.



- 9** The hook of the assembly kit is fixed on to the hole of the semi pedestal.

ASSEMBLY INSTRUCTIONS

Washbasin & Semi Pedestal (Screw, Adjustable Type) - I



1 See the location of closed holes at washbasin, first.



2 When you look behind of the basin; you will see the closed holes. Never try to open them from this side.



3 The central tap holes are left open during the mass production. For recessed tap systems; the closed holes at left and right sides must be open with a sharp pointed hammer with patience, from the top.



4 The front of the washbasin will be temporarily set to 800 mm. above the finished floor and the centres of assembly holes behind will be traced on the wall. Always use additional axis and centres to assist for a proper and balanced assembly process.



5 Drill the holes with suitable bits, insert raw plugs. Install the interval taps for clean water and washbasin tap. Slide the plastik bushes and washers, screw the nuts.



6 After fixing the washbasin, make the connections between interval taps and basin tap.



7 Semi pedestal is fixed to washbasin with this assembly kit shown on the image.



8 The main body of the assembly kit is fixed to washbasin assembly bolt, with the help of nuts, as shown on the above.



9 The hook of the assembly kit is fixed on to the hole of the semi pedestal.

ASSEMBLY INSTRUCTIONS

Washbasin & Semi Pedestal (Screw, Adjustable Type) - II



- 10** After fixing both hooks, begin to screw the bolt by hand. See the semi pedestal starts to rise slowly and get closer to washbasin.



- 11** Finally use a cross-head screwdriver to finish the screwing.



- 12** Check the final balance with a water gauge. Test the tap and look for a possible leakage. Silicone based pastes may be applied on the joining edges of the ceramic and finished wall for a better tightness and aesthetic view.

ASSEMBLY INSTRUCTIONS

Corner Washbasin



- 1** Prepare the waste water outlet and clean water inlets as given on product specification page. Temporarily place the basin, that its front will be at 800 mm. above the finished floor. Mark the assembly points on the wall. Drill the points with suitable bits, insert the plugs. Then screw the assembly bolts through the raw plugs.



- 2** Mount the tap and syphon on the corner basin. Place the basin on the assembly bolts, insert the plastic bushes and fix the bolts with nuts.



- 3** After fixing the washbasin, make the connections between interval taps and basin tap. Silicone based pastes may be applied on the joining edges of the ceramic and finished wall for a better tightness and aesthetic view.

ASSEMBLY INSTRUCTIONS

BTW (Back To Wall) Close Coupled WC Pan – I (With Special “S” Connector)



- 1** The waste water pipe on the floor is left at an extended height to set it up later. At the beginning of the installation, the extension will be cut off as shown.



- 2** The gap between the waste water outlet and the finished wall must be set 250 mm. Draw an axis on the floor by using the mid-point of the waste water pipe.



- 3** Fix the special “S” pipe to the ring, join the “S” pipe with the waste water pipe on the floor. Fix the ring to the wall with “S” pipe on it.



- 4** Install the flushing mechanisms to the cistern.



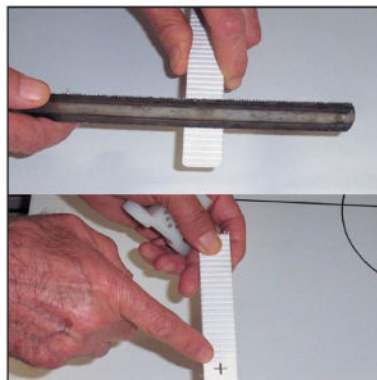
- 5** Install the cistern on the WC pan and place it temporarily to assembly position.



- 6** Use the projection of the WC pan and assembly holes at sides as template and trace contour lines on the floor.



- 7** For a proper assembly; check the gap at the bottom of the WC pan. NOTICE: This dimension may vary upon each item. So, check each WC pan individually before commencing the installation.



- 8** The adjustable strip is essential for the operation. Take the mid-point of the stick as base point. Apply the gap dimension symmetrically on the strip. Cut off the overage on the strip, for both ends.



- 9** Place the main mounts on the strip. Check the gap now with trip; mounts on it. The length of the strip may neither long nor short.

ASSEMBLY INSTRUCTIONS

BTW (Back To Wall) Close Coupled WC Pan – II (With Special "S" Connector)



10 Join the markings at the 6th figure horizontally. Intersect it also with the vertical axis drawn before.



11 Overlap the strip's "+" sign with the intersection of axis on the floor. Now, mark the holes of the main mounts on the strip. Drill them.



12 Fix the mounts to the floor.



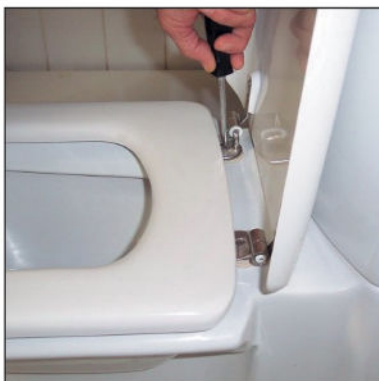
13 Check all connections and hoses against leakage.



14 Place the wc pan to final assembly position. Slide assembly screws through plastic bushes and screw to main mounts at both sides of the WC pan.



15 Each WC pan has its own seat cover. Thus, place the seat cover with its hinges on it, by sliding the screws through installation holes on the pan.



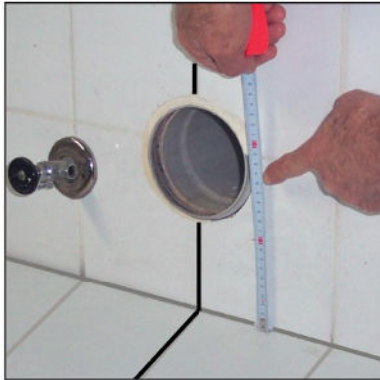
16 Use a simple cross-head screwdriver to tighten the seat cover.



17 Check the final balance with a water gauge. Test the wc pan for a possible leakage. Silicone based pastes may be applied on the joining edges of the ceramic and finished wall for a better tightness and aesthetic view.

ASSEMBLY INSTRUCTIONS

BTW (Back To Wall) Close Coupled WC Pan – I (With Straight Pipe)



1 The centre of waste water outlet on the wall must be set to 170 mm. above the finished floor and the same level with the finished wall.



2 Fix the straight pipe to the ring, join it with the waste water outlet on the wall. Fix the ring to the wall.



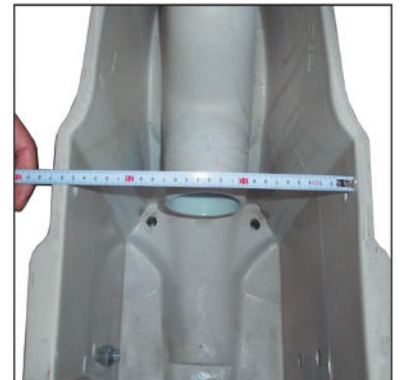
3 Install the flushing mechanisms to the cistern.



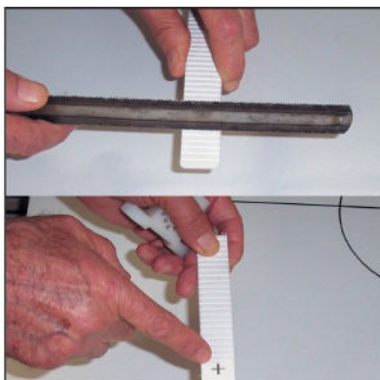
4 Install the cistern on the WC pan and place it temporarily to assembly position.



5 Use the projection of the WC pan and assembly holes at sides as template and trace contour lines on the floor.



6 For a proper assembly; check the gap at the foot of the WC pan. NOTICE: This dimension may vary upon each item. So, check each WC pan individually before commencing the installation.



7 The adjustable strip is essential for the operation. Take the mid-point of the stick as base point. Apply the gap dimension symmetrically on the strip. Cut off the overage on the strip, for both ends.



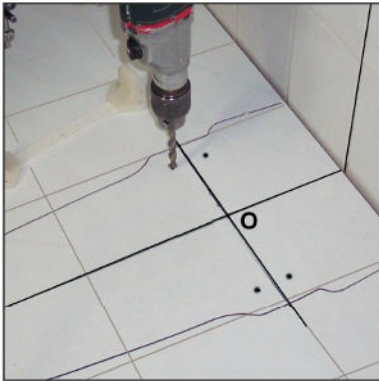
8 Place the main mounts on the strip. Check the gap now with strip; mounts on it. The length of the strip may neither long nor short.



9 Join the markings at the 5th figure horizontally. Intersect it also with the vertical axis drawn before.

ASSEMBLY INSTRUCTIONS

BTW (Back To Wall) Close Coupled WC Pan – II (With Straight Pipe)



10 Overlap the strip's "+" sign with the intersection of axis on the floor. Now, mark the holes of the main mounts on the strip. Drill them.



11 Fix the mounts to the floor.



12 Check all connections and hoses against leakage.



13 Place the wc pan to final assembly position. Slide assembly screws through plastic bushes and screw to main mounts at both sides of the WC pan.



14 Each WC pan has its own seat cover. Thus, place the seat cover with its hinges on it, by sliding the screws through installation holes on the pan.



15 Use a simple cross-head screwdriver to tighten the seat cover.



16 Check the final balance with a water gauge. Test the wc pan for a possible leakage. Silicone based pastes may be applied on the joining edges of the ceramic and finished wall for a better tightness and aesthetic view.

ASSEMBLY INSTRUCTIONS

Standard WC Pan

(S-Trap)



1 Set the distance between the outlet of the wc pan and the finished wall. Prepare the waste water outlet on the floor.



2 Place the eccentric trap adapter to its location inside the waste water outlet.



3 Bring the wc pan temporarily to assembly position. Mark the holes on both sides on to the finished floor.



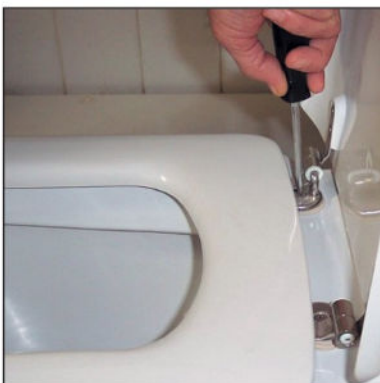
4 Drill the marked points with suitable drill bits and insert the raw plugs.



5 Place the wc pan to its final position and fix it by using its original assembly kit.



6 Connect hidden flush pipe and connection adapter with 3/8" flexible pipe on WC Pan.

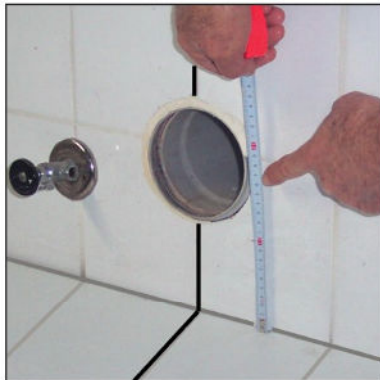


7 Fix the seat cover referring the instructions.

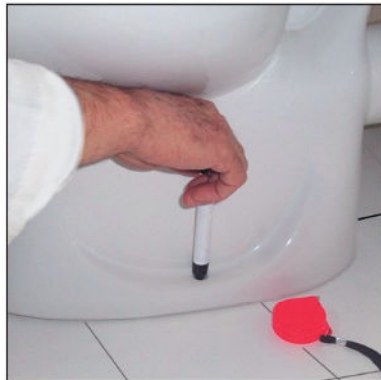
ASSEMBLY INSTRUCTIONS

Standard WC Pan

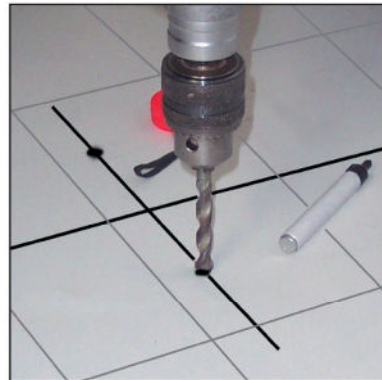
(P-Trap)



- 1** Set the distance between the outlet of the wc pan and the finished floor. Consider the slope required for the flow of the waste. Prepare the waste water outlet on the wall.



- 2** Bring the wc pan temporarily to assembly position. Mark the holes on both sides on to the finished floor.



- 3** Drill the marked points with suitable drill bits and insert the raw plugs.



- 4** Slide the eccentric trap adapter to the outlet of the wc pan. Calculate the gap, which is needed for extension for the waste piping.



- 5** Place the wc pan to its final position and fix it by using its original assembly kit.



- 6** Connect hidden lustration pipe and connection adapter with 3/8" flexible pipe on WC Pan.



- 7** Fix the seat cover referring the instructions.

ASSEMBLY INSTRUCTIONS P-Trap Close Coupled WC Pan



1 The centre of waste water outlet on the wall must be set to 170 mm. above the finished floor and the same level with the finished wall.



2 Install the flushing mechanisms to the cistern.



3 Install the cistern on the WC pan.



4 Slide the eccentric trap adapter to the outlet of the wc pan. Calculate the gap, which is needed for extension for the waste piping.



5 Bring the wc pan temporarily to assembly position. Mark the holes on both sides on to the finished floor.



6 Drill the marked points with suitable drill bits and insert the raw plugs.



7 Place the wc pan to its final position and fix it by using its original assembly kit.

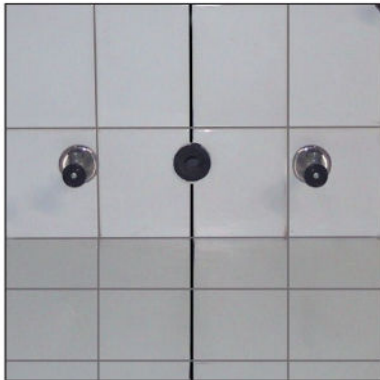


8 Fix the seat cover referring the instructions.



9 Test the wc pan for a possible leakage. Silicone based pastes may be applied on the joining edges of the ceramic and finished wall for a better tightness and aesthetic view.

ASSEMBLY INSTRUCTIONS BTW (Back To Wall) Bidet - I



1 The waste water centre (Ø50 mm) is prepared at 125 mm above the finished floor. Set the gap between interval tap inlets to 400 mm, symmetrically regarding the centre as basis.



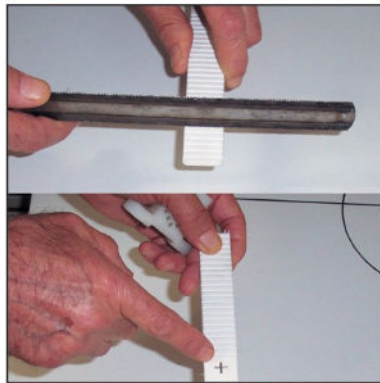
2 The middle tap hole is already open on bidets.



3 Install the bidet tap and syphon group. Fix it with the ring given with your bidet.



4 Place the bidet temporarily to assembly position. Use the assembly holes as reference points and mark the projections on the finished floor.



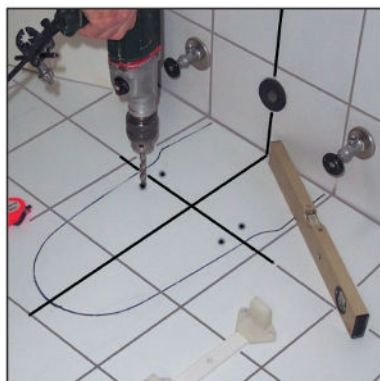
5 For a proper assembly; check the gap at the foot of the bidet. NOTICE: This dimension may vary upon each item. So, check each bidet individually before commencing the installation. Take the mid-point of the stick as base point. Apply the gap dimension symmetrically on the strip. Cut off the overage on both ends.



6 Place the main mounts on the strip. Check the gap now with strip; mounts on it. The length of the strip may neither long nor short.



7 Join the markings at the 4th figure horizontally. Intersect it also with the vertical axis drawn before. Overlap the strip's "+" sign with the intersection of axis on the floor. Now, mark the holes of the main mounts on the strip.



8 Drill the marked points and insert the plugs.



9 Push the bidet forward to assembly position. Slide the syphon trough the waste water outlet.

ASSEMBLY INSTRUCTIONS

BTW (Back To Wall) Bidet - II



- 10** Slide assembly screws through plastic bushes and screw to main mounts at both sides of the bidet.



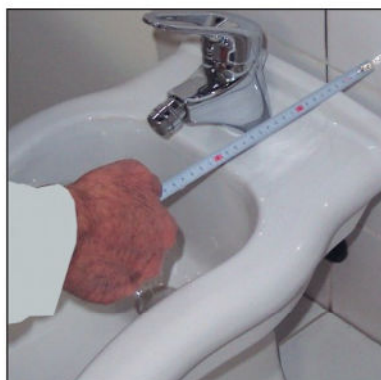
- 11** Check the final balance with a water gauge. Test the bidet and interval taps for a possible leakage. Silicone based pastes may be applied on the joining edges of the ceramic and finished wall for a better tightness and aesthetic view.

ASSEMBLY INSTRUCTIONS

Bidet



- 1** Set the gap between interval tap inlets to 400 mm, symmetrically regarding the centre as basis. Install the tap.



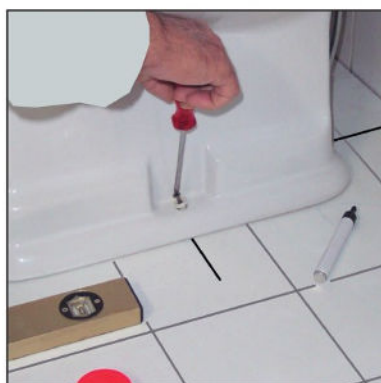
- 2** Prepare a distance of 50 mm, behind the bidet.



- 3** Keep this distance and mark the projection of the bidet and assembly holes on the finished floor.



- 4** Drill these points and insert the raw plugs.



- 5** Place the bidet to its final position and fix it by using its original assembly kit.



- 6** Finish with the connections between interval taps and the bidet tap.



- 7** Check the final balance with a water gauge. Test the bidet and interval taps for a possible leakage. Silicone based pastes may be applied on the joining edges of the ceramic and finished wall for a better tightness and aesthetic view.

ASSEMBLY INSTRUCTIONS

Wall Hung Bidet



1 After installation of the carriage bracket; the waste water outlet and interval tap inlets are prepared and proceed on tile works.



2 Install the bidet tap and syphon group.



3 Push the bidet forward to assembly position. Slide the syphon through the waste water outlet. Fix the assembly nuts of the bidet.



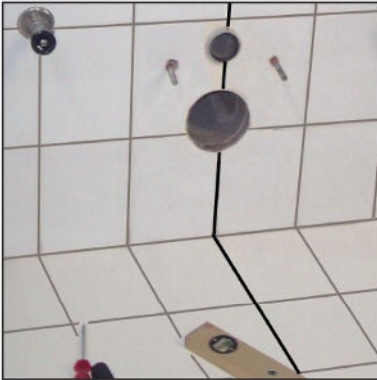
4 Prepare and finish the connections between bidet tap and interval taps.



5 Test the wc pan for a possible leakage. Silicone based pastes may be applied on the joining edges of the ceramic and finished wall for a better tightness and aesthetic view.

ASSEMBLY INSTRUCTIONS

Wall Hung WC Pan



1 The installation of the recessed cistern system must be finished before commence. You may see a sample view of the finished infrastructure. **NOTICE:** Producer's instructions must be carefully for the installation of the recessed cistern.



2 Prepare the waste outlet. Slide the eccentric trap adapter in.



3 Place the wc pan to final assembly position and fix it by tighten the nuts trough the assembly bolts of the recessed cistern.



4 Connect hidden lustration system with coonection adapter for WC pan.



5 Fix the seat cover referring the instructions.



6 Test the wc pan for a possible leakage. Silicone based pastes may be applied on the joining edges of the ceramic and finished wall for a better tightness and aesthetic view.

ASSEMBLY INSTRUCTIONS

Urinal with Syphon & Wall Separator - I

Plastic Syphon, Duroplast Lid, Assembly Kit with Adjustable Strip



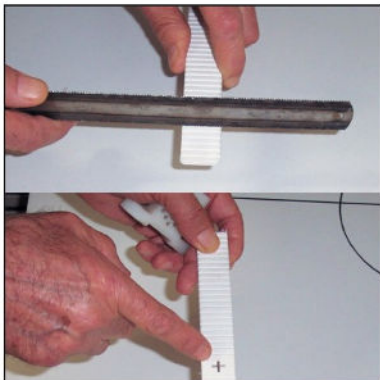
1 All dimensions are prepared before installation. Draw Additional axis to assist.



2 Place the urinal temporarily to assembly position, mark the projection of the product and assembly holes intersect vertical and horizontal axis.



3 Check out the gap between two edges behind the urinal.



4 Cut the extensions symmetrically Put the assembly mount on adjustment strip.



5 Place the (+) sign on the adjustment with the intersection point, mark the holes of the mounts on both sides. Drill the marked points with suitable bits and insert raw plugs.



6 Fix the stick with assembly mounts on it.



7 Special syphns used with urinals. Proride vertical or horizontal connection ability.



8 Fix the urinal to the finished wall.

ASSEMBLY INSTRUCTIONS

Urinal with Syphon & Wall Separator - II

Plastic Syphon, Duroplast Lid, Assembly Kit with Adjustable Strip



- 9** Draw vertical axis for wall separator assembly parts, as shown on product pages. Drill the intersection points with 10mm. bit, insert raw plugs.



- 10** Install the assembly kit as shown above.



- 11** After fixing the wall separator, its essential to apply silicone based paste throughout the joining edges of separator and finished wall.



- 12** Fix the lid by using its original assembly kit.



- 13** Test the urinal for any leakage. Protect the item until the end of construction works.

ASSEMBLY INSTRUCTIONS

Squatting Pan



1 First, prepare the infrastructure, trap, flashing piping, etc.



2 The squatting pan must be installed on dry sand like shower trays. Check out that there will be no void under the pan, thus add enough sand to keep the tightness.



3 Fix the squatting pan at four corners with a rich mixture of cement. The joint filling material for ceramic tiles will be quite enough for final fixing of the squatting pan.



4 Protect the item until the end of construction works.

ASSEMBLY INSTRUCTIONS

Shower Tray



1 Install the trap on to the waste hole of shower tray.



2 Fullfill the area for installation with dry sand and make it flat smoothly.



3 Place the shower tray temporarily to assembly position. The take it out, watch the traces on the sand. Add some sand if necessary for filling purposes.



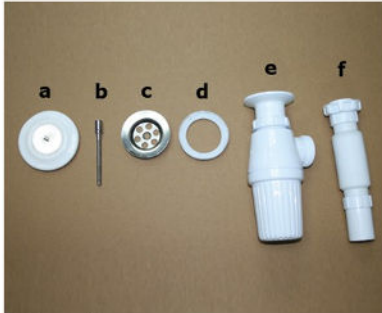
4 Place the shower in its location and fix the trap to waste water piping. Always check the balance with the help of a water gauge.



5 Do not give any additional slope since the shower trays have already a slope within. Protect the item until the end of construction work.

ASSEMBLY INSTRUCTIONS

SEREL Ceramic Tap Syphon Group



- Mountings:**
a: Ceramic Tap
b: Fixing Bolt
c: Metal Filter
d: Sealing Gasket
e: Syphon Group
f: Bellows Hose



- 1** You can start mounting after finishing washbasin assembly



- 2** Place metal filter to valve of washbasin.



- 3** Place syphon group to washbasin's valve outer.



- 4** Fix metal filter and syphon group with fixing bolt.



- 5** Pls concentrate on axis of metal filter and fix it.



- 6** Place ceramic tap on metal filter.



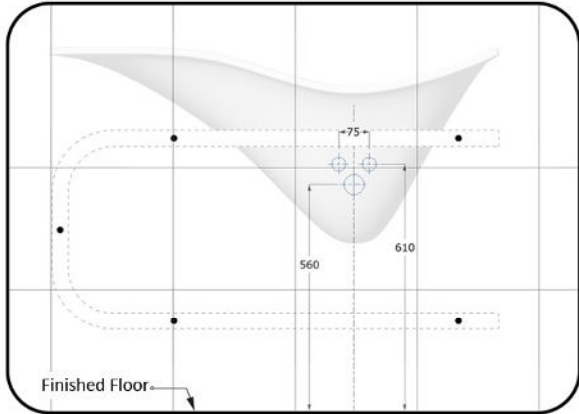
- 7** Connect the bellow hose to syphon group and fix it to outer.



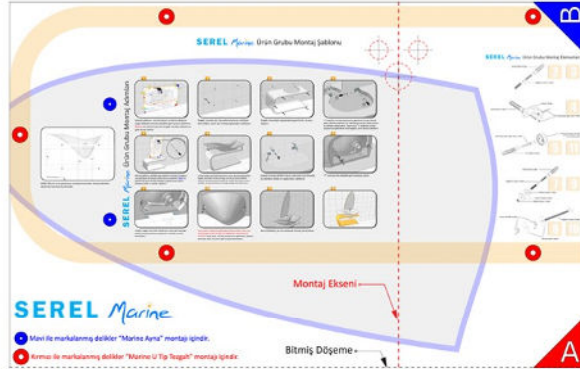
ASSEMBLY INSTRUCTIONS

SEREL MARINE / Assembly Instructions 1/3

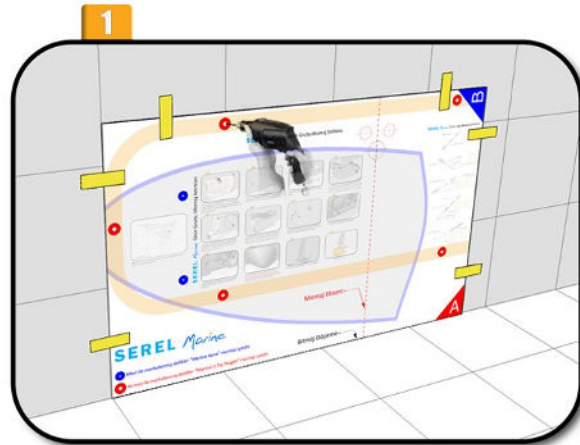
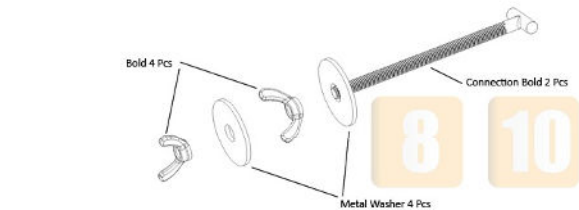
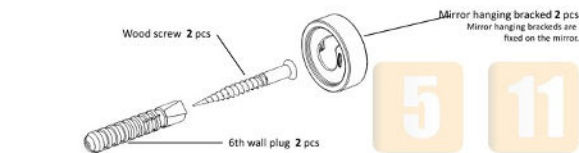
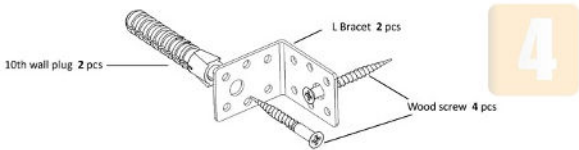
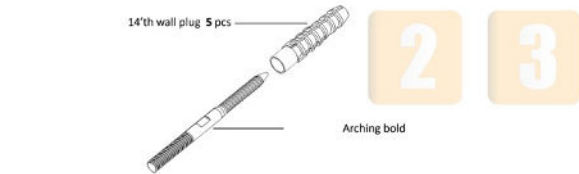
Washbasin, Semi Pedestal, U-Type Vanity Unit and Assembly of Mirror



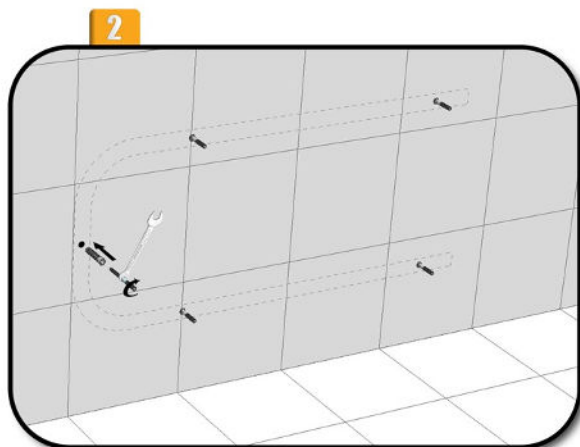
Pls prepare installation as given dimensions for SEREL Marine



Assembly Template is given with the product.



Assembly Template is immobilized by consideration of finished floor and assembly axis. Drill the wall from red shelf assembly points.

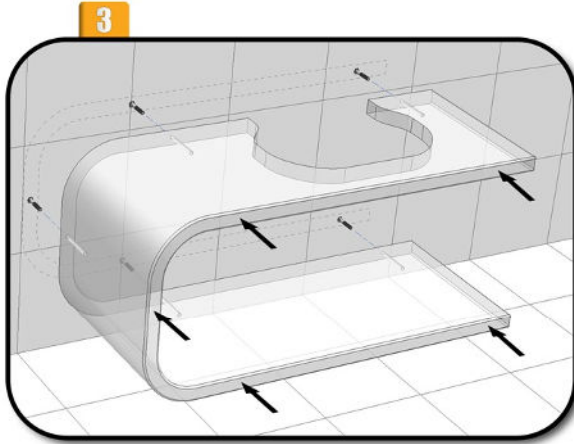


Firstly peg, secondly assembly stud bolts are fixed to the holes which are for vanity unit assembly.

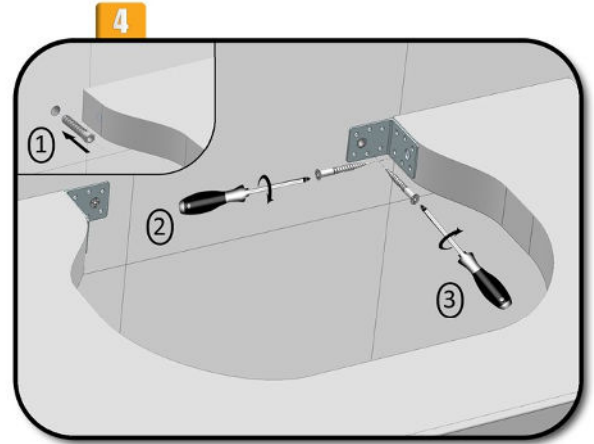
ASSEMBLY INSTRUCTIONS

SEREL MARINE / Assembly Instructions 2/3

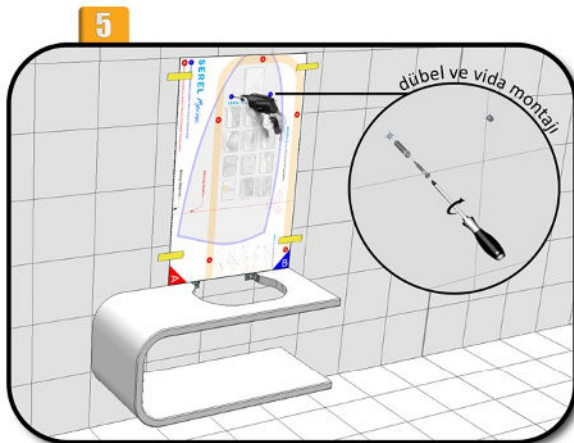
Washbasin, Semi Pedestal, U-Type Vanity Unit and Mirror Assembly



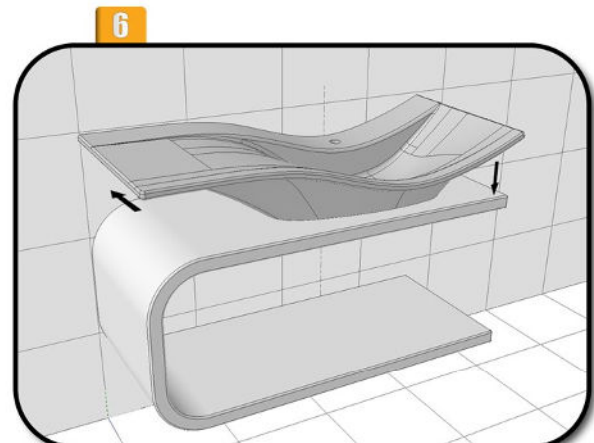
The Vanity Unit is based on with screwing in stud bolts..



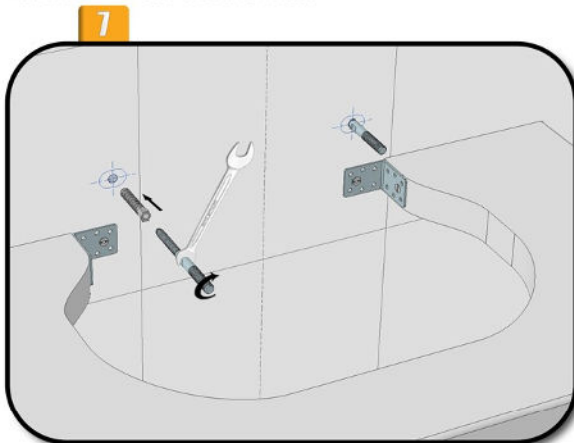
"L" brackets are settled from opposite points with assembly position. Open holes from these points and screw wall hugs in to the holes after these are fixed firstly to vanity unit, then to wall by brought assembly position.



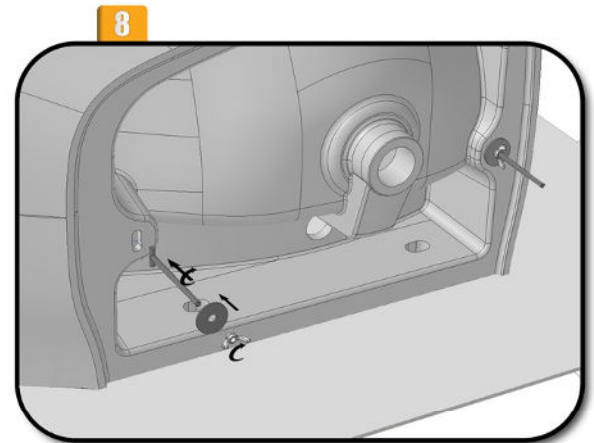
Assembly template is fixed to wall as the shapes. (Template's B corner should be intersecting with vanity unit in to upper- right corner.) The wall is drill by considering blue assembly points. The wall plug and screws are fixed to wall.



The washbasin come to assembly position by consideration assembly hollow and tab axis, but be careful shelf plating shouldn't be damaged. Mark the assembly points on the washbasin and move away from vanity unit.



Prepare washbasin assembly holes on the wall and fix them with wallplug and arching bold to these holes.

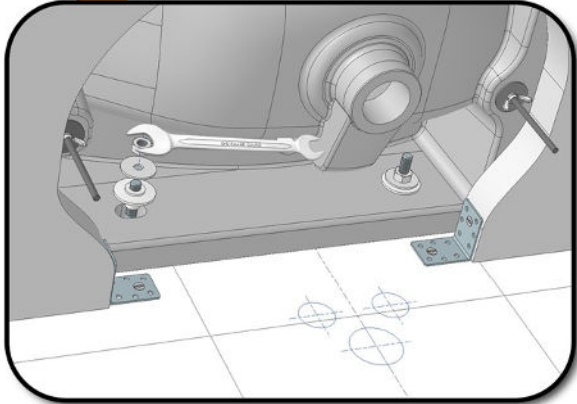


Attack "T" assembly kit as shape 8 to the washbasin.

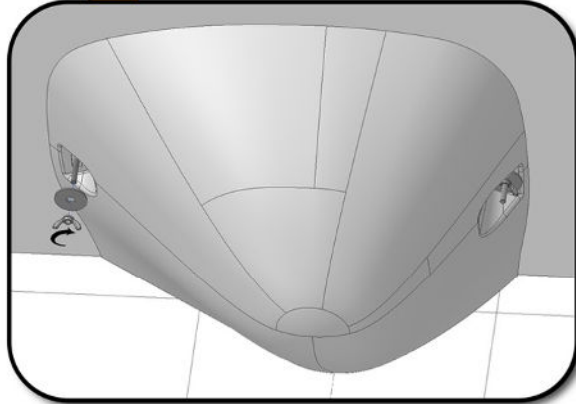
ASSEMBLY INSTRUCTIONS

SEREL MARINE / Assembly Instruction 3/3

Washbasin, Semi Pedestal, U-Type Vanity Unit and Assembly of Mirror

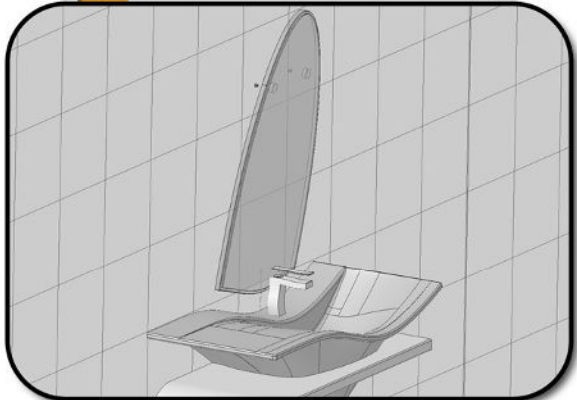
9

The washbasin is placed assembly position by considering vanity unit surface and washbasin assembly finished.

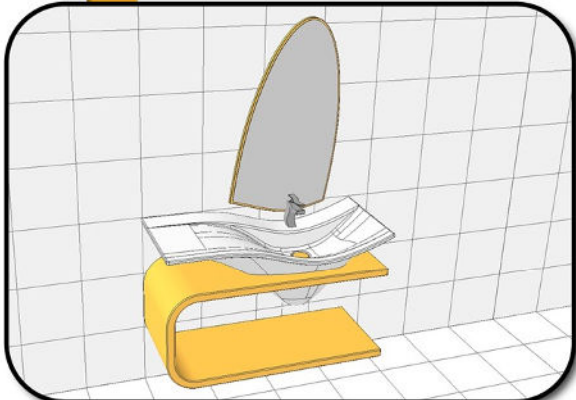
10

Before to start semi pedestal's assembly, please finish assembly of tap, flush and other installations.

Bring semi-pedestal to assembly position and pinch wings nuts and finish semi-pedestal's assembly.

11

The mirror is hanging on the wall carefully.

12

ASSEMBLY INSTRUCTIONS

Assembly of SEREL ORCA BTW WC Pan and Monoblock Cistern 1/3 Vertical to Floor



SEREL®

Assembly Sets

Mounting Bracketed Set

- 001 Ø10 Wall Plug 2 pcs
- 002 Bracketed 2 pcs
- 003 Wood Screw 2 pcs

Clean Water Pipe Fixing Set

- 001 Ø10 Wall Plug 1 pcs
- 004 Clamp 1 pcs

"S" Bracketed and Clamp

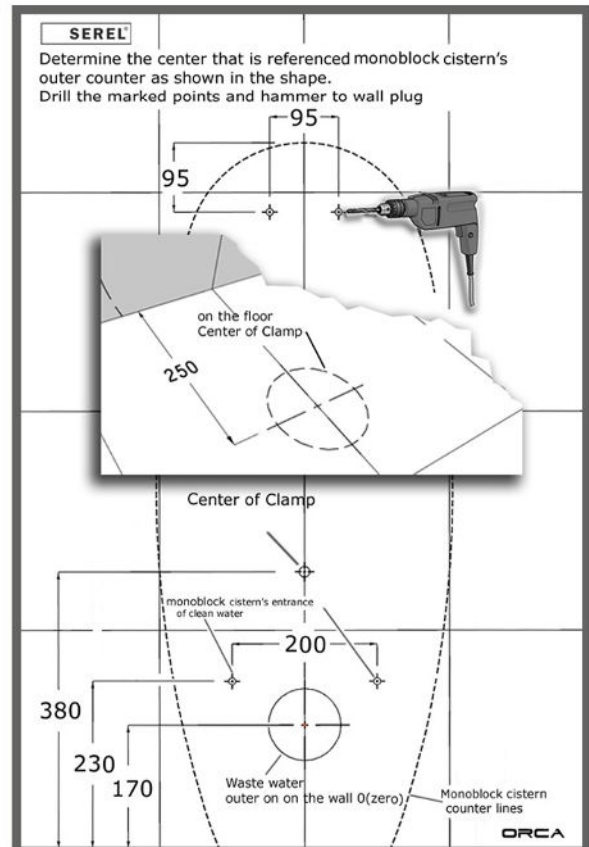
- 005 "S" Bracketed and clamp 1 pcs

WC Pan Assembly Kit

- 006 Kombi Head bold 4 pcs
- 007 Washer 4 pcs
- 008 Mainmount 2 pcs
- 009 Ø8 Bush 4 pcs
- 010 Flange 2 pcs
- 011 Pulling Screw 2 pcs
- 012 Bush 2 pcs
- 013 Adjustable Strip 1 pcs

NOT: Pls use assembly kits which are given with product.

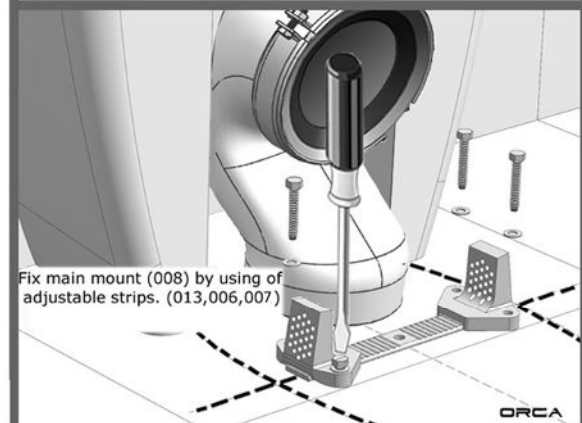
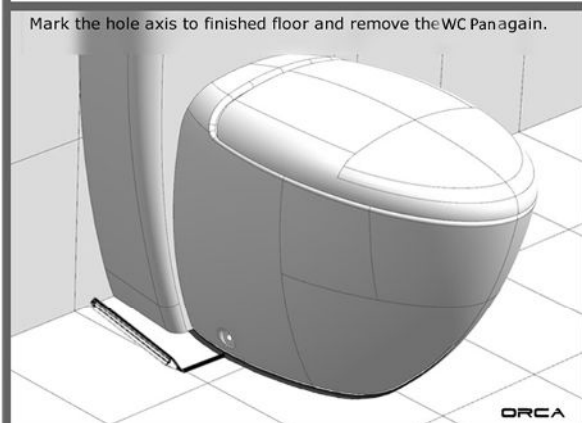
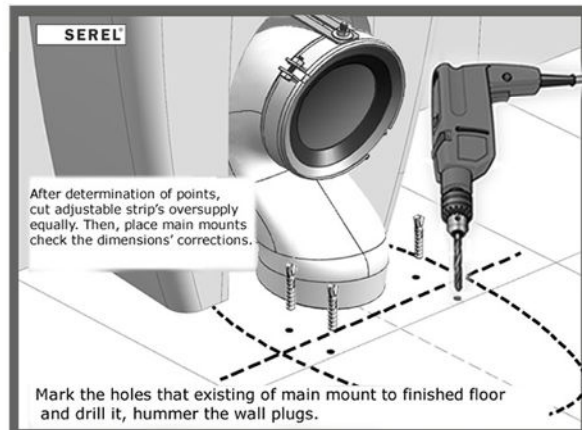
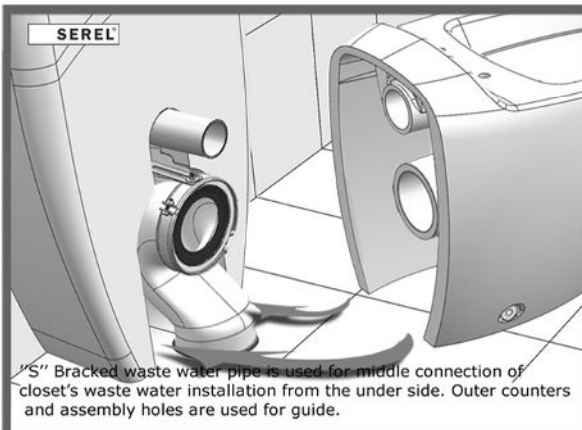
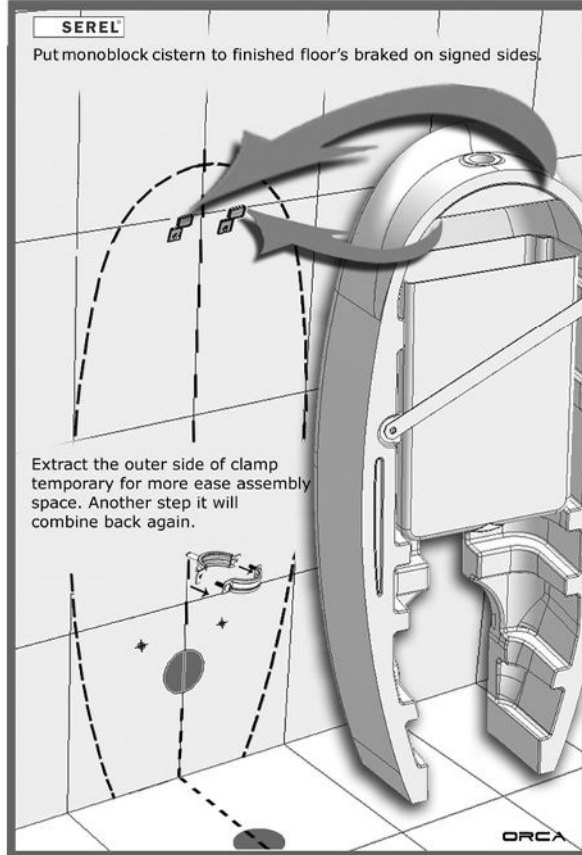
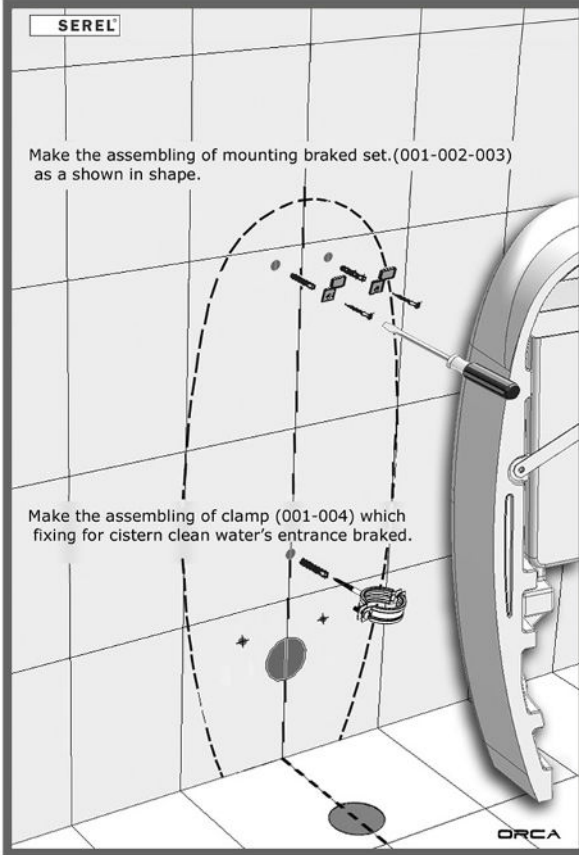
ORCA



ASSEMBLY INSTRUCTIONS

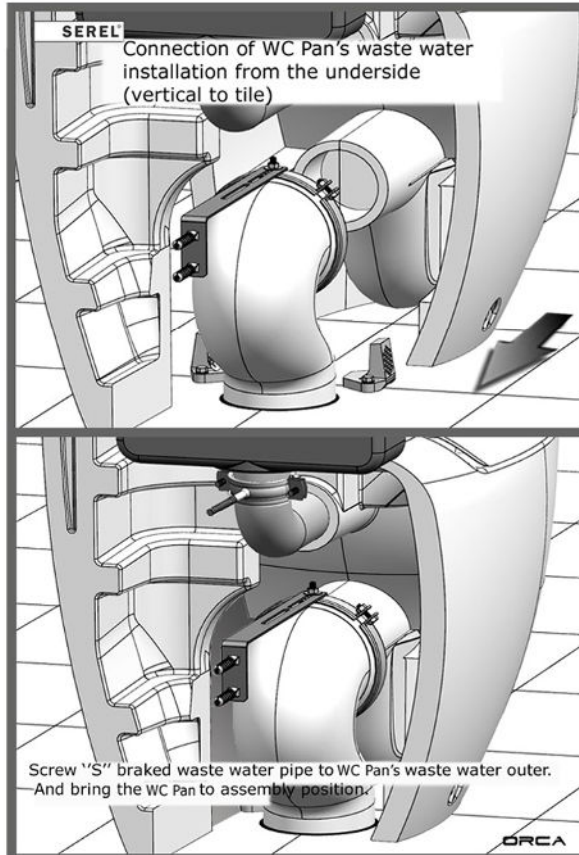
Assembly of SEREL ORCA BTW WC Pan and Monoblock Cistern 2/3

Vertical to Floor



ASSEMBLY INSTRUCTIONS

Assembly of SEREL ORCA BTW WC Pan and Monoblock Cistern 3/3 Vertical to Floor



ASSEMBLY INSTRUCTIONS

Assembly of SEREL ORCA BTW WC Pan and Monoblock Cistern 1/3

Parallel to Floor



SEREL®

Assembly Sets

Mounting Bracketed Set

- 001 Ø10 Wall Plug 2 pcs
- 002 Brakedi 2 pcs
- 003 Wood Screw 2 pcs

Clean Water Pipe Fixing Set

- 001 Ø10 Wall Plug 1 pcs
- 004 Clamp 1 pcs

Self-Sealed Waste Water Pipe

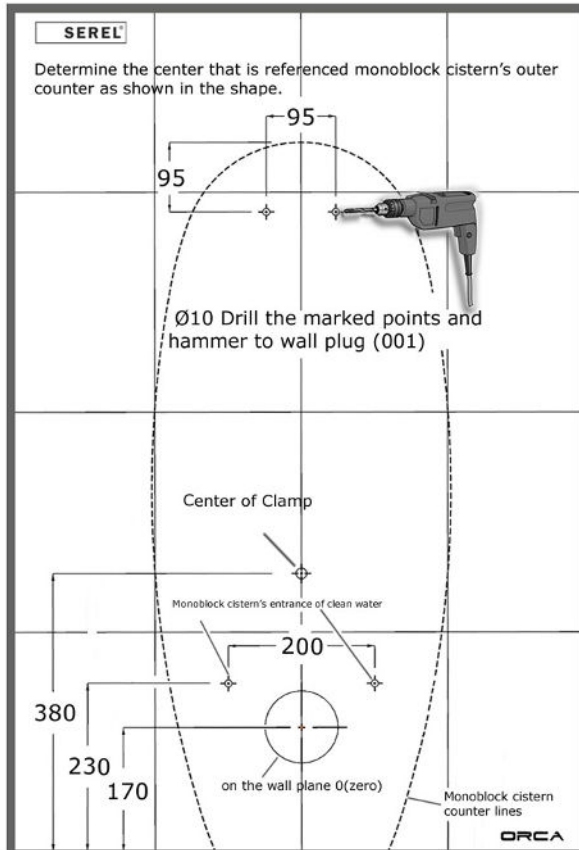
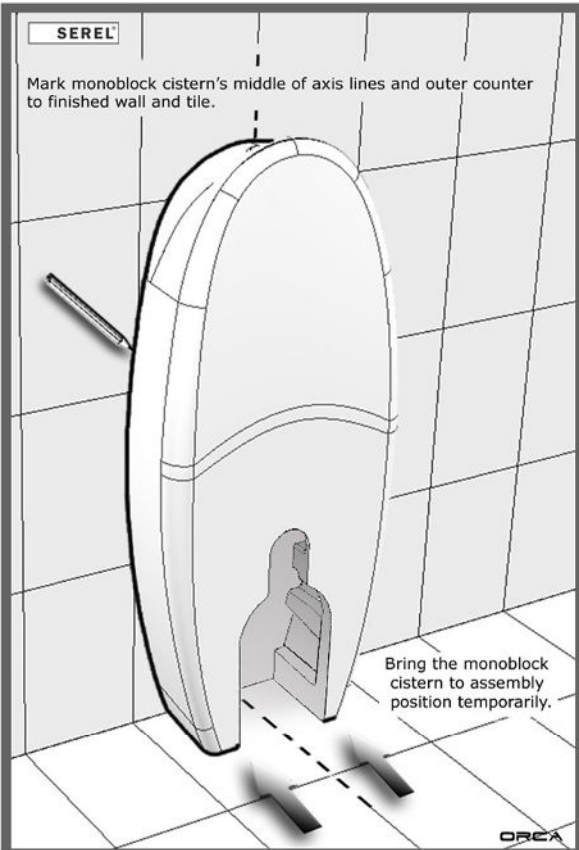
- 005 Self sealed waste water pipe 1 pcs

WC Pan Assembly Kit

- 006 Kombi head bold 4 pcs
- 007 Washer 4 pcs
- 008 Main mount 2 pcs
- 009 Ø8 Bush 4 pcs
- 010 Flange 2 pcs
- 011 Pulling Screw 2 pcs
- 012 Bush 2 pcs
- 013 Adjustable strip 1 pcs

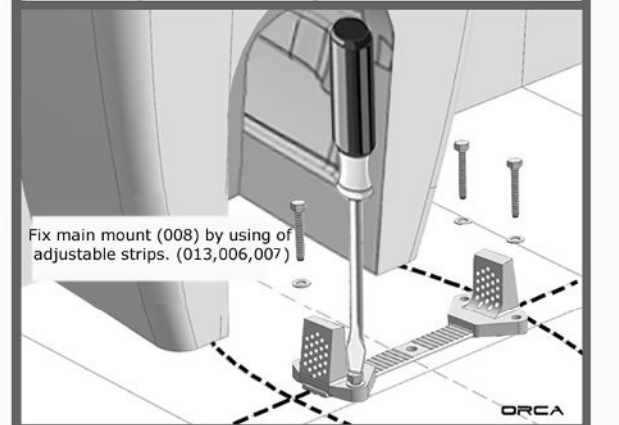
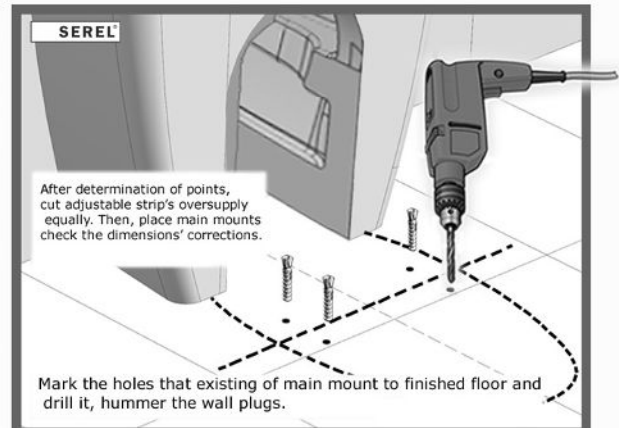
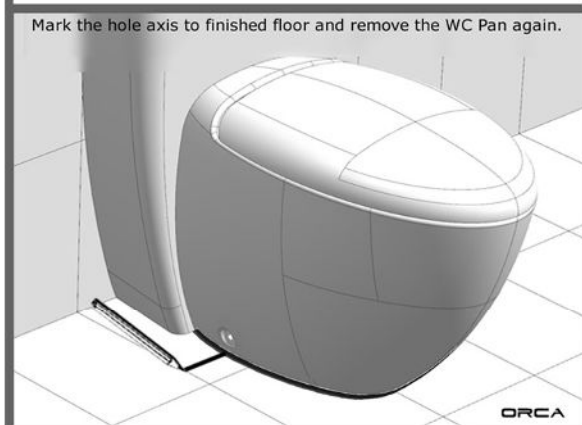
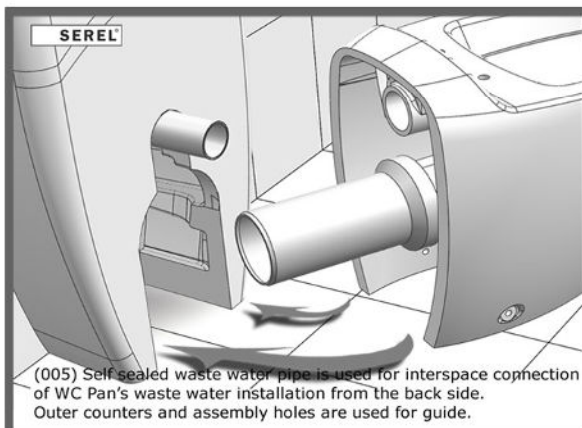
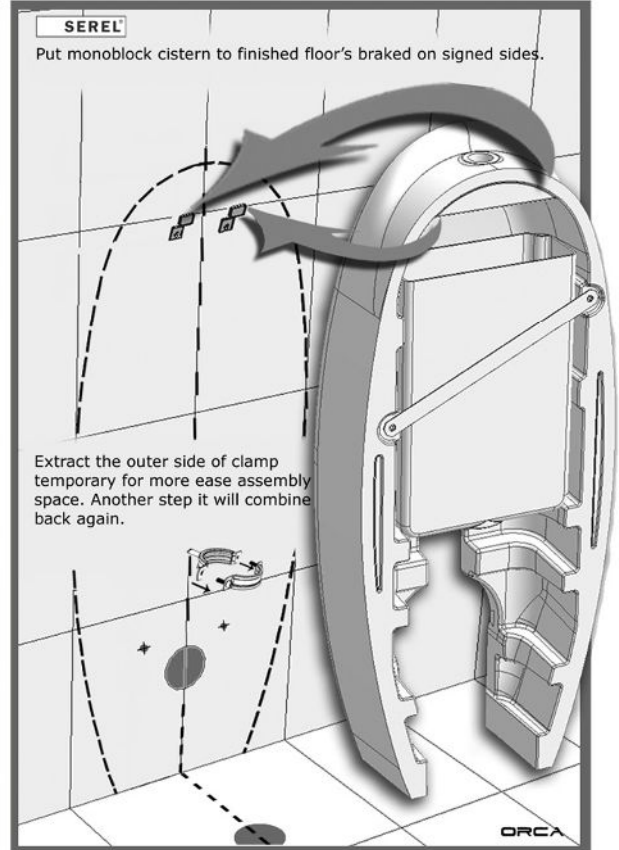
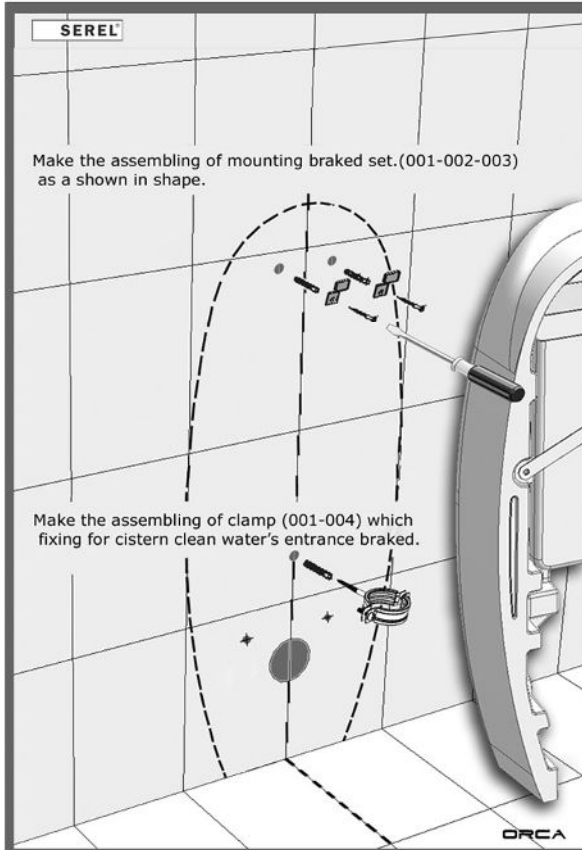
NOT: Pls use assembly kits which are given with products.

ORCA



ASSEMBLY INSTRUCTIONS

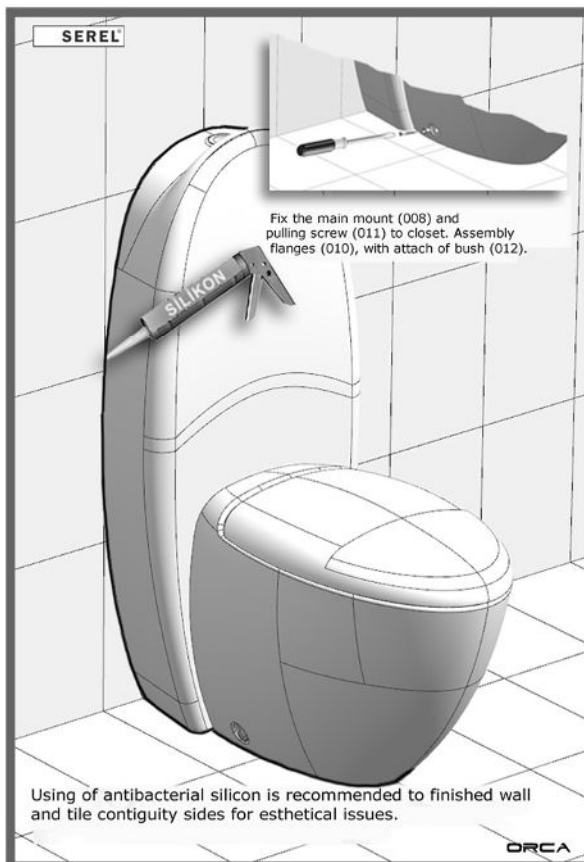
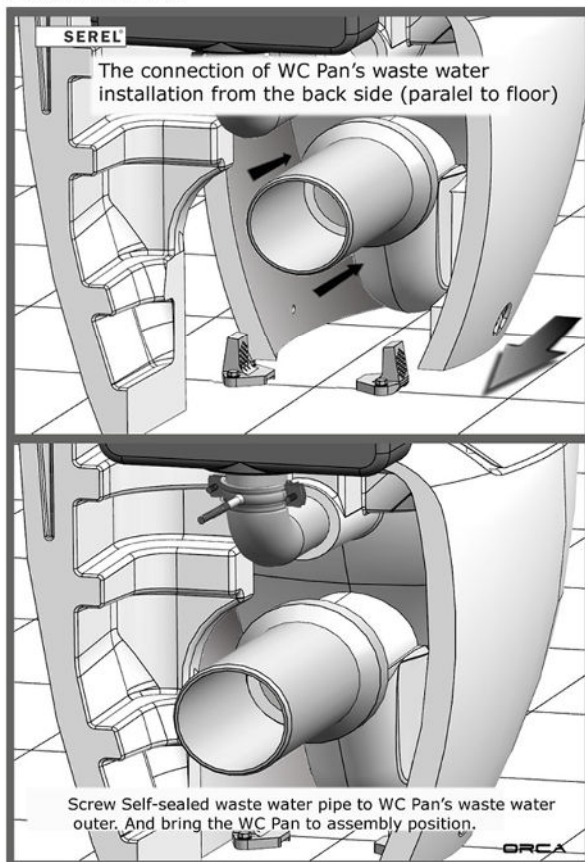
Assembly of SEREL ORCA BTW WC Pan and Monoblock Cistern 2/3 Parallel to Floor



ASSEMBLY INSTRUCTIONS

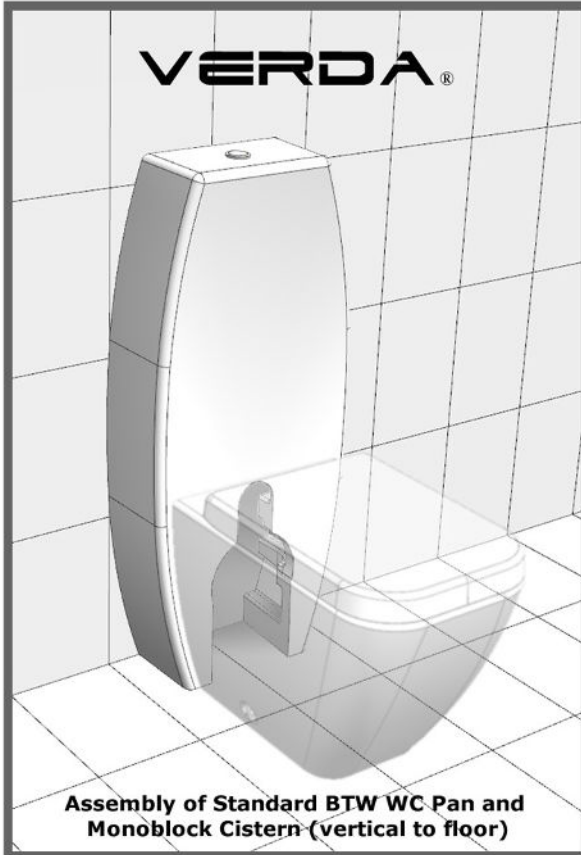
Assembly of SEREL ORCA BTW WC Pan and Monoblock Cistern 3/3

Parallel to Floor



ASSEMBLY INSTRUCTIONS

Assembly of SEREL VERDA BTW WC Pan and Monoblock Cistern 1/3 Vertical to Floor



SEREL®

Assembly Sets

Mounting Bracketed Set

- 001 Ø10 Wall Plug 2 pcs
- 002 Bracketed 2 pcs
- 003 Wood Screw 2 pcs

Clean Water Pipe Fixing Set

- 001 Ø10 Wall Plug 1 pcs
- 004 Clamp 1 pcs

"S" Bracketed and Clamp

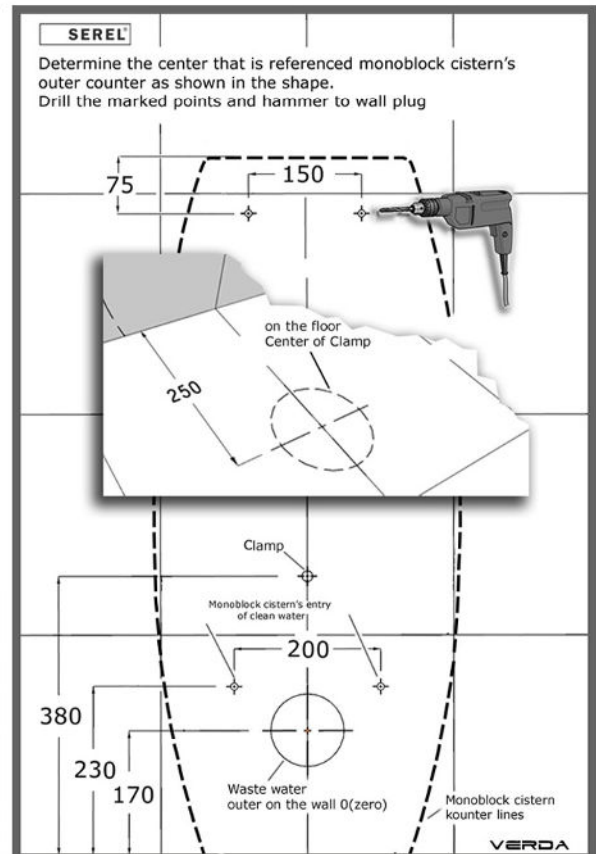
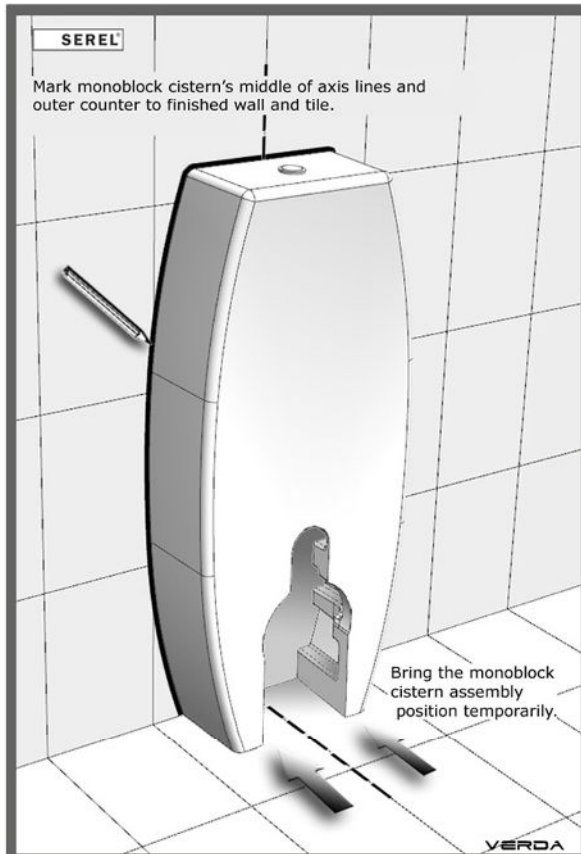
- 005 "S" racked and clamo 1 pcs

WC Pan Assembly Kit

- 006 Kombi head bold 4 pcs
- 007 Washer 4 pcs
- 008 Mainmount 2 pcs
- 009 Ø8 Bush 4 pcs
- 010 Flange 2 pcs
- 011 Pulling Screw 2 pcs
- 012 Bush 2 pcs
- 013 Adjustable Strip 1 pcs

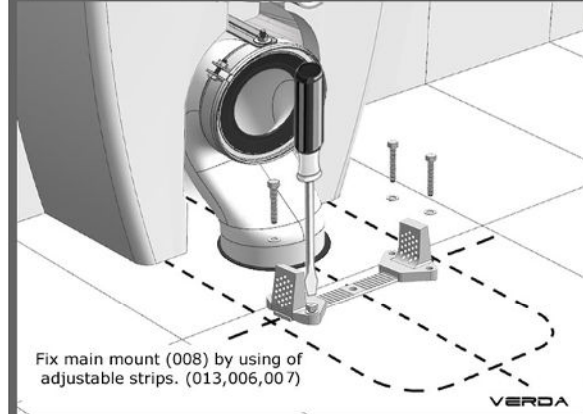
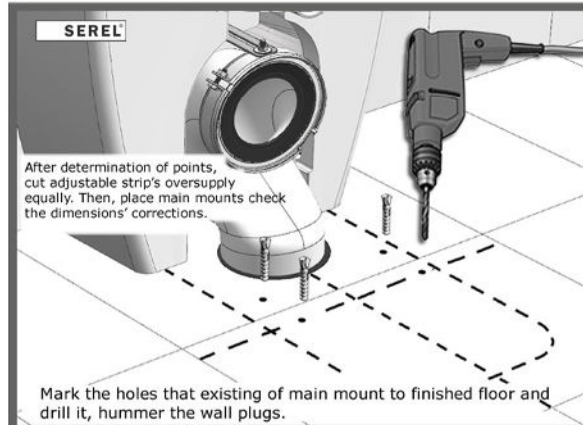
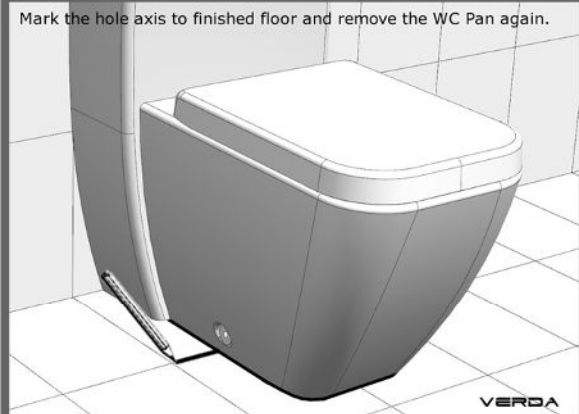
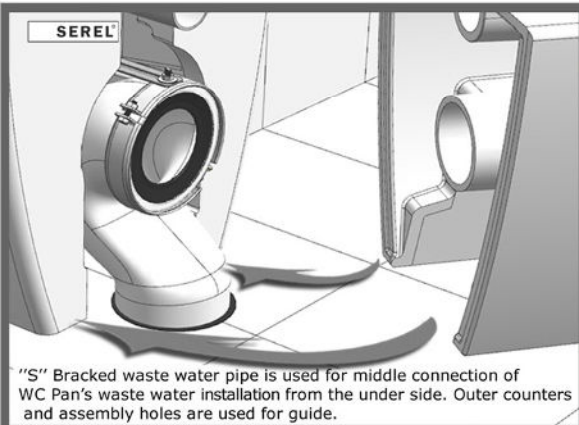
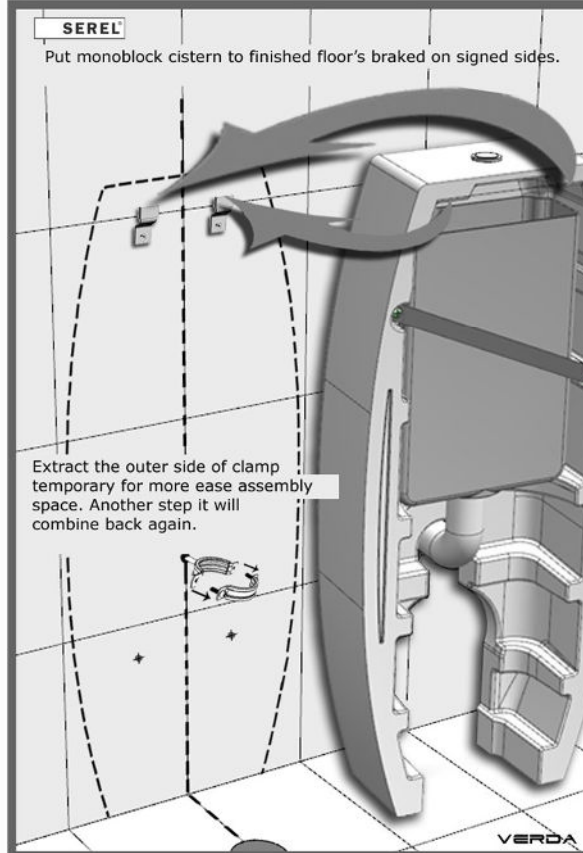
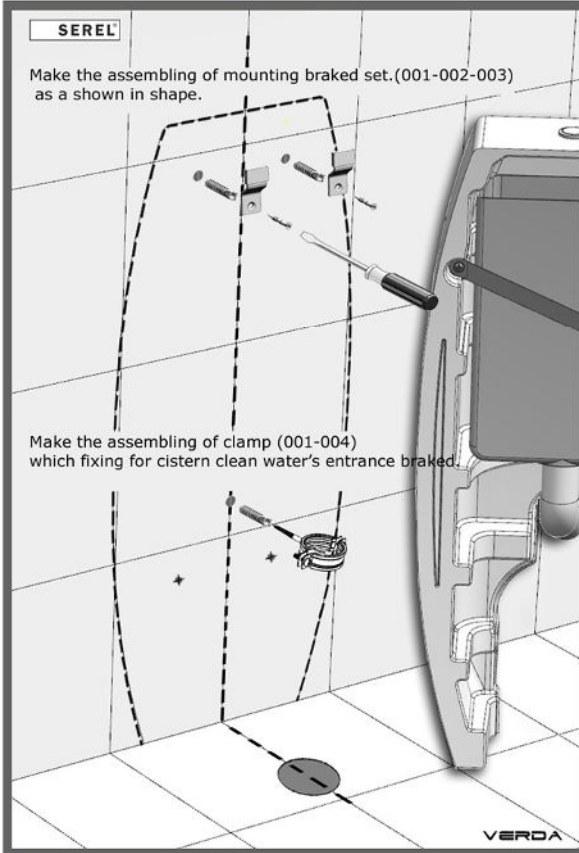
NOT: Pis use assembly kits which are given with product.

VERDA



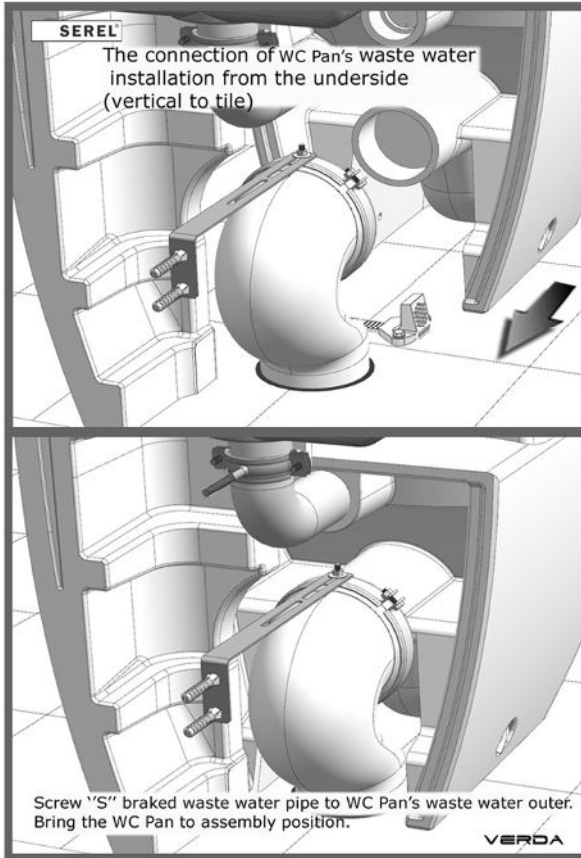
ASSEMBLY INSTRUCTIONS

Assembly of SEREL VERDA BTW WC Pan and Monoblock Cistern 2/3 Vertical to Floor



ASSEMBLY INSTRUCTIONS

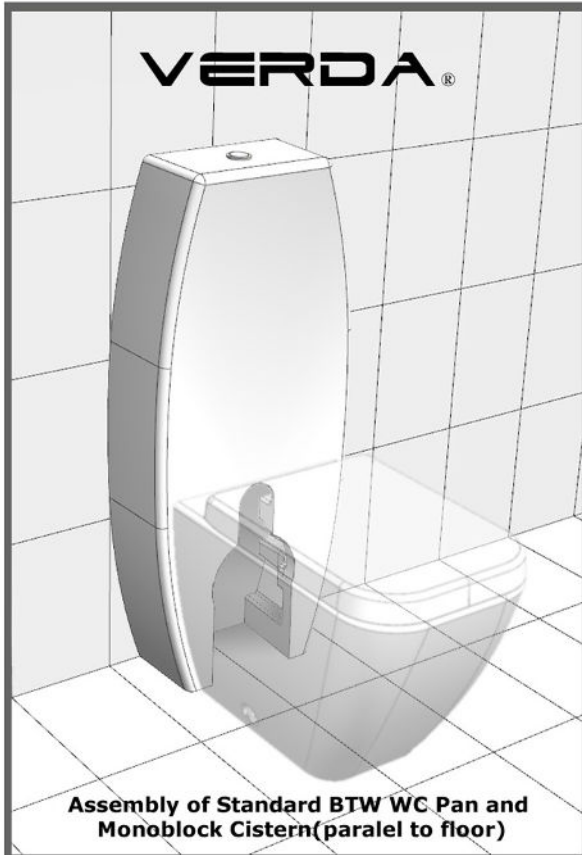
Assembly of SEREL VERDA WC Pan and Monoblock Cistern 3/3 Vertical to Floor



ASSEMBLY INSTRUCTIONS

Assembly of SEREL VERDA BTW WC Pan and Monoblock Cistern 1/3

Parallel to Floor



SEREL®

Assembly Sets

Mounting Bracketed Set

- 001 Ø10 Wall Plug 2 pcs
- 002 Bracketed 2 pcs
- 003 Wood Screw 2 pcs

Clean Water Pipe Fixing Set

- 001 Ø10 Wall Plug 1 pcs
- 004 Clamp 1 pcs

Self-Sealed Waste Water Pipe

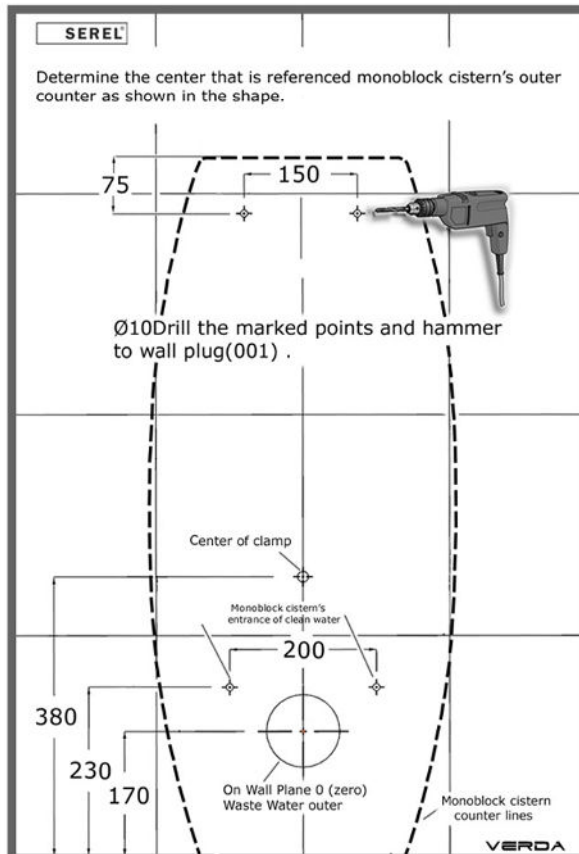
- 005 Self sealed waste water pipe 1 pcs

WC Pan Assembly Kit

- 006 Kombi Head Bolt 4 pcs
- 007 Washer 4 pcs
- 008 Main mount 2 pcs
- 009 Ø8 Bush 4 pcs
- 010 Flange 2 pcs
- 011 Pulling Screw 2 pcs
- 012 Bush 2 pcs
- 013 Adjustable Strip 1 pcs

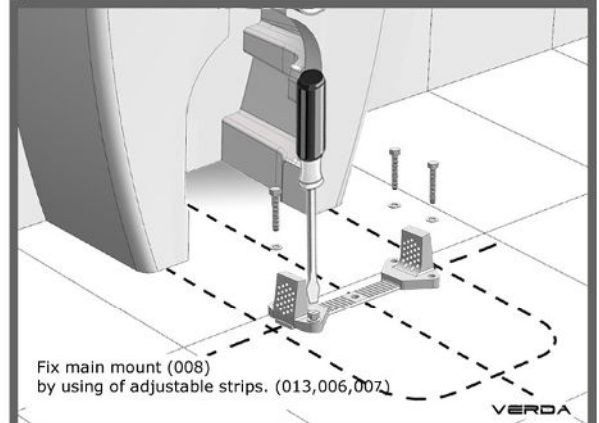
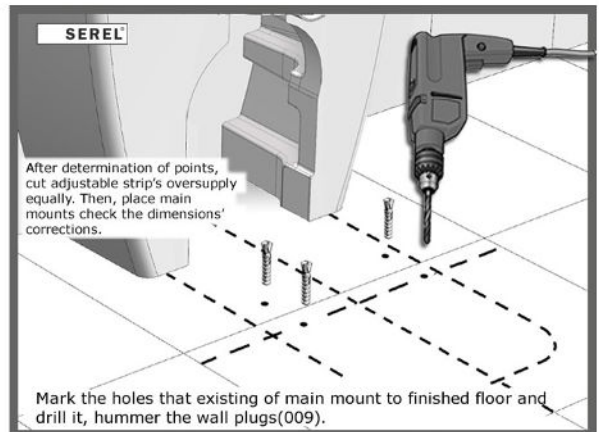
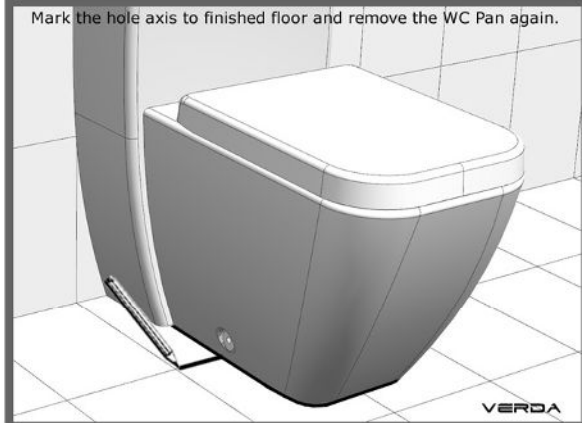
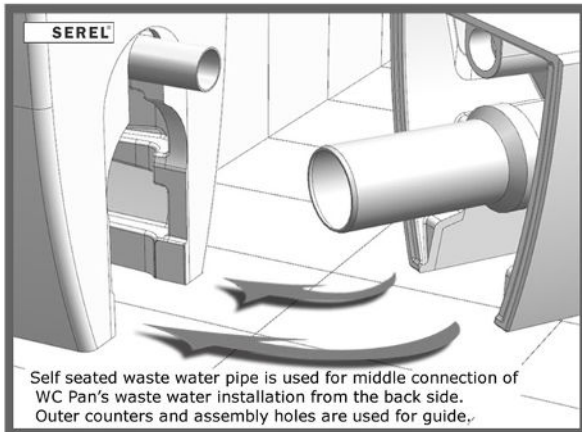
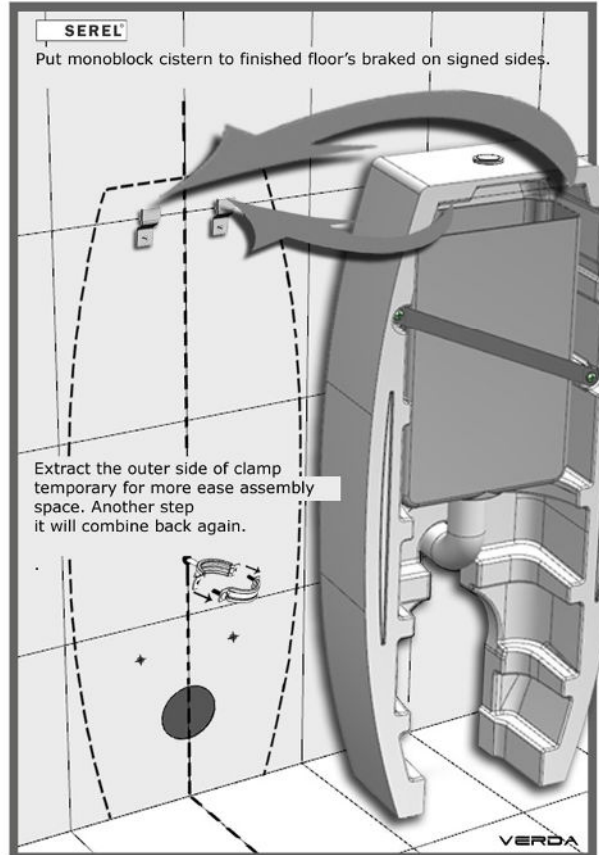
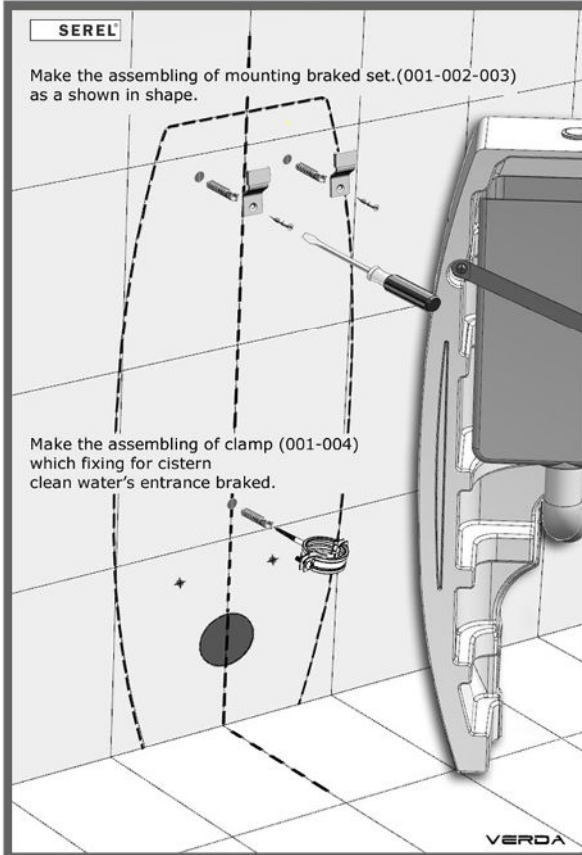
NOT: Pls use assembly kits which are given with product.

VERDA



ASSEMBLY INSTRUCTIONS

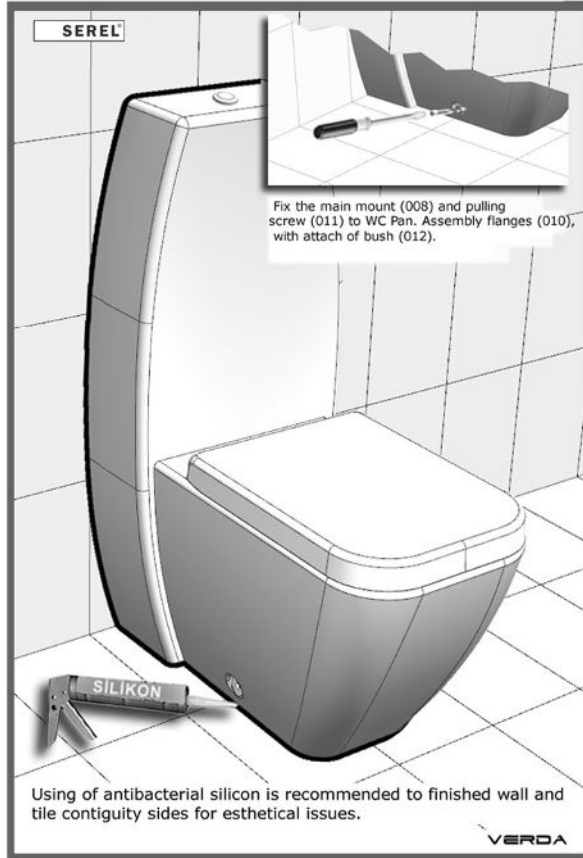
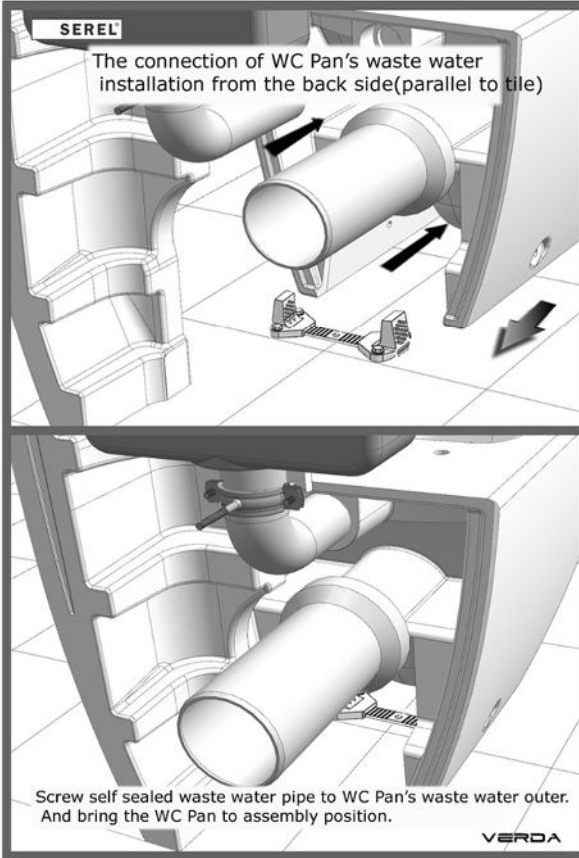
Assembly of SEREL VERDA BTW WC Pan and Monoblock Cistern 2/3 Parallel to Floor



ASSEMBLY INSTRUCTIONS

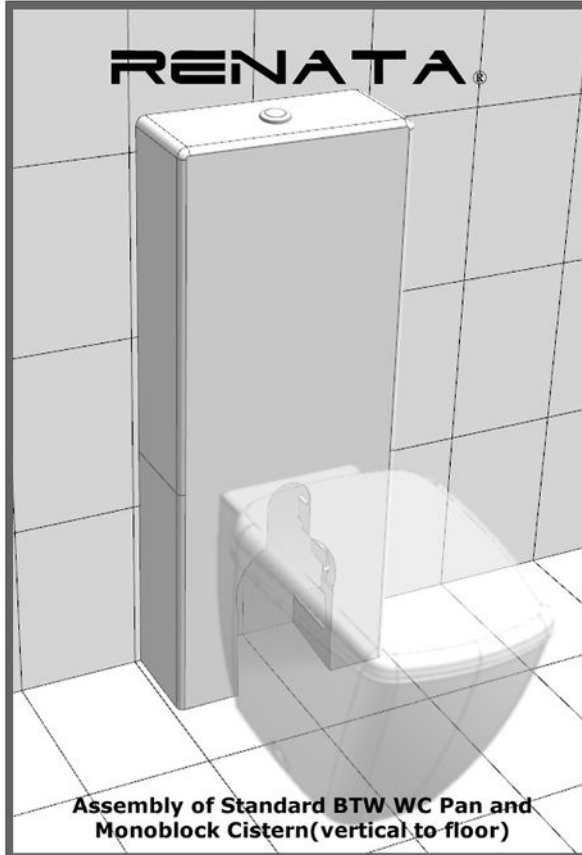
Assembly of SEREL VERDA BTW WC Pan and Monoblock Cistern 3/3

Parallel to Floor



ASSEMBLY INSTRUCTIONS

Assembly of SEREL RENATA BTW WC Pan and Monoblock Cistern 1/3 Vertical to Floor



SEREL

Montaj Setleri

Mounting Bracketed Set

- 001 Ø10 Wall Plug 2 pcs
- 002 Bracketed 2 pcs
- 003 Wood Screw 2 pcs

Clean Water Pipe Fixing Set

- 001 Ø10 Wall Plug 1 Pcs
- 004 Clamp 1 pcs

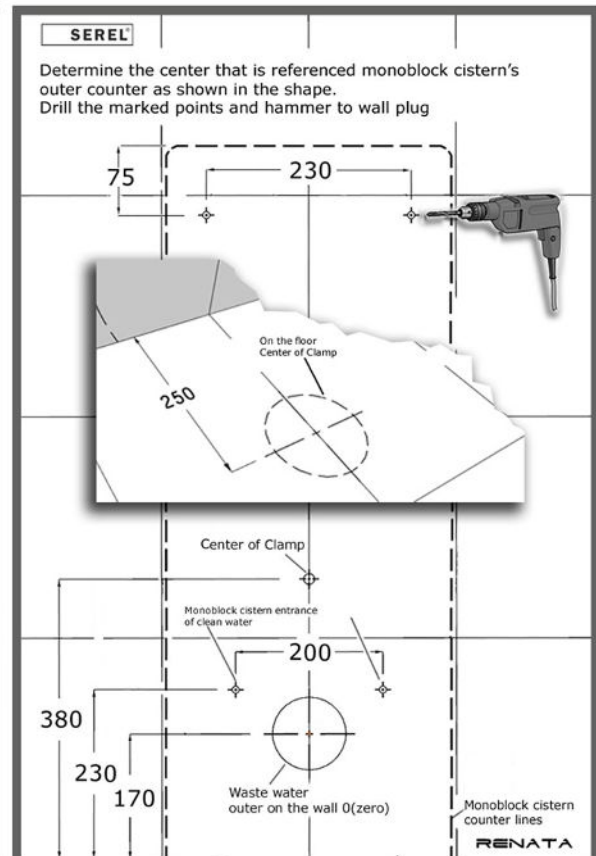
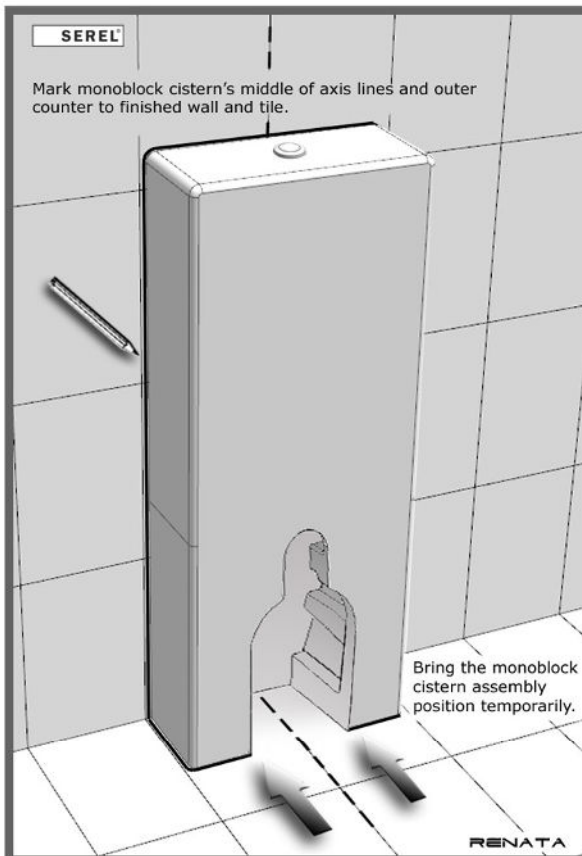
"S" Bracketed and Clamp

- 005 "S" Bracketed and Clamp 1 pcs

WC Pan Assembly Kit

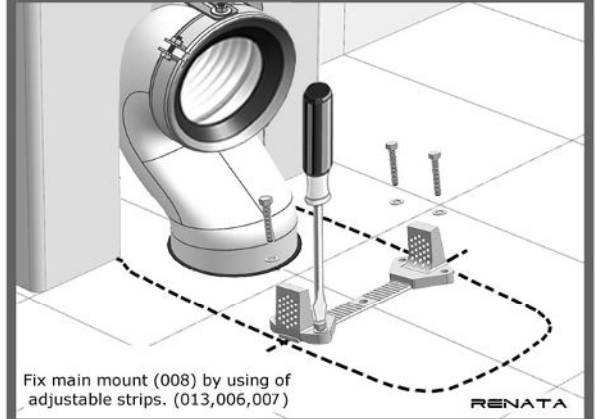
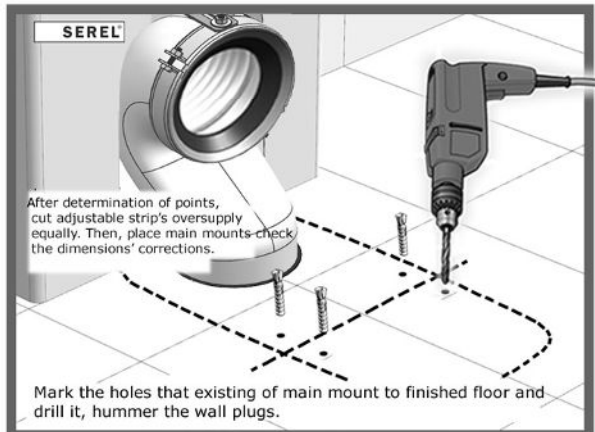
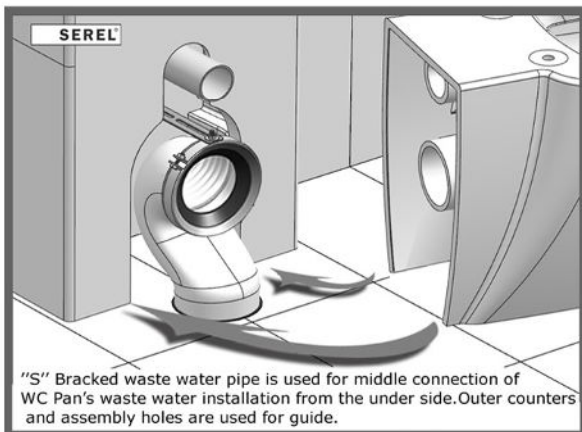
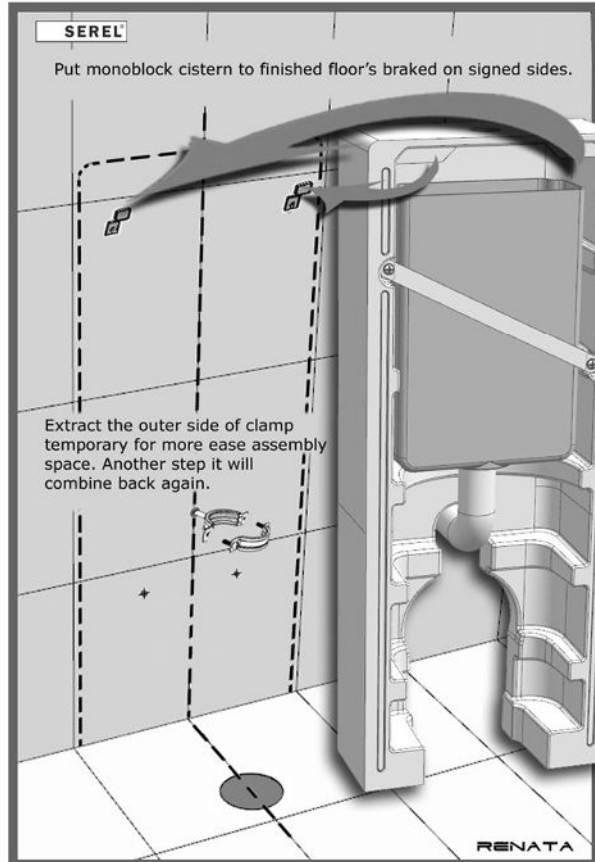
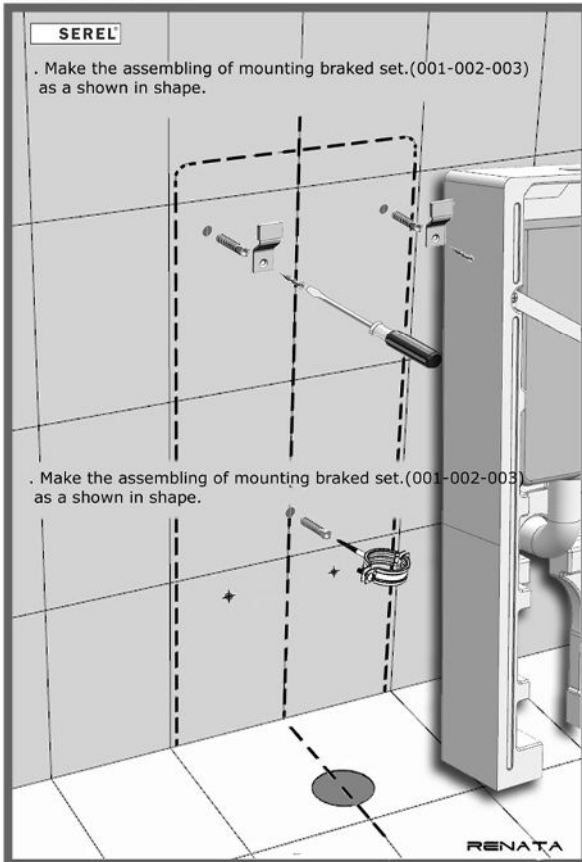
- 006 Kombi Head Bolt 4 pcs
- 007 Washer 4 pcs
- 008 Mainmount 2 pcs
- 009 Ø8 Bush 4 pcs
- 010 Flange 2 pcs
- 011 Pulling Screw 2 pcs
- 012 Bush 2 pcs
- 013 Adjustable Strip 1 pcs

NOT: Pls use assembly kits which are given with products. **RENATA**



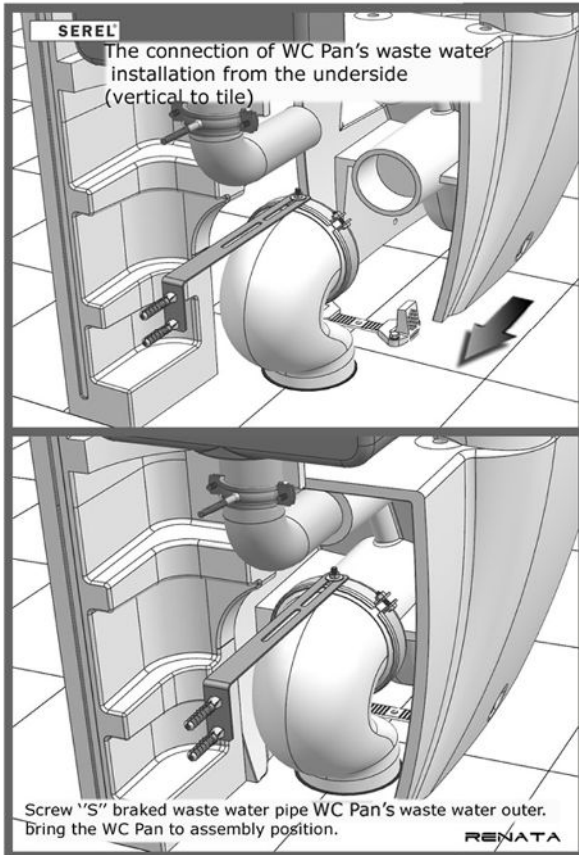
ASSEMBLY INSTRUCTIONS

Assembly of SEREL RENATA BTW WC Pan and Monoblock Cistern 2/3 Vertical to Floor



ASSEMBLY INSTRUCTIONS

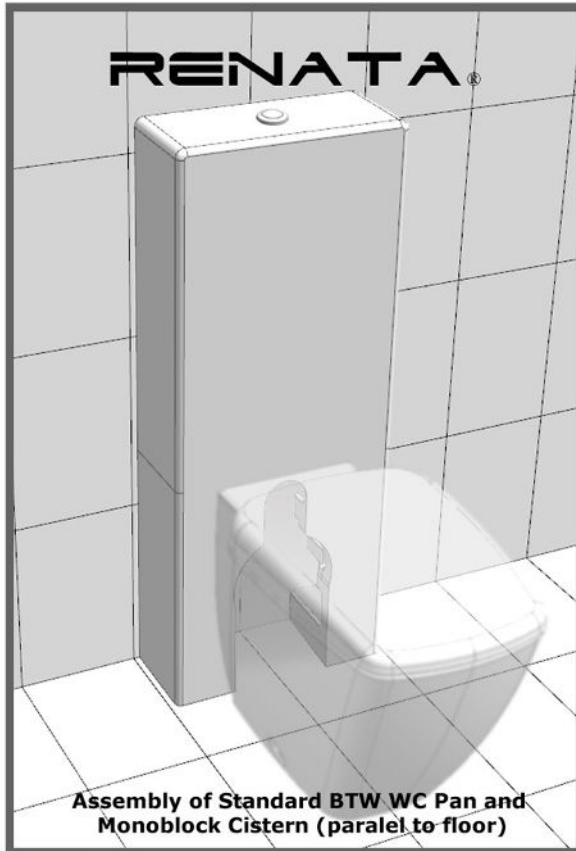
Assembly of SEREL RENATA BTW WC Pan and Monoblock Cistern 3/3 Vertical to Floor



ASSEMBLY INSTRUCTIONS

Assembly of SEREL RENATA BTW WC Pan and Monoblock Cistern 1/3

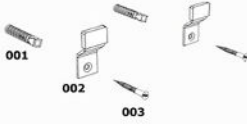
Parallel to Floor



SEREL®


Assembly Sets

Mounting Bracketed Set




- 001 Ø10 Wall Plug 2 pcs
- 002 Braked 2 pcs
- 003 Wood Screw 2 pcs

Clean Water Pipe Fixing Set



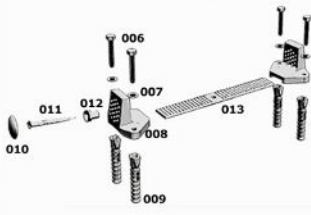
- 001 Ø10 Wall Plug 1 pcs
- 004 Clamp 1 pcs

Self-Sealed Waste Water Pipe



- 005 Self-sealed waste water pipe 1 pcs

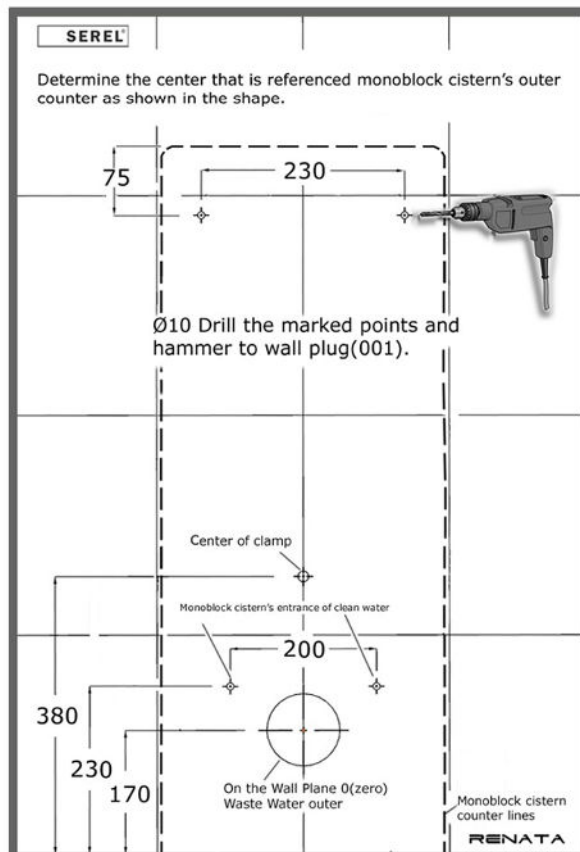
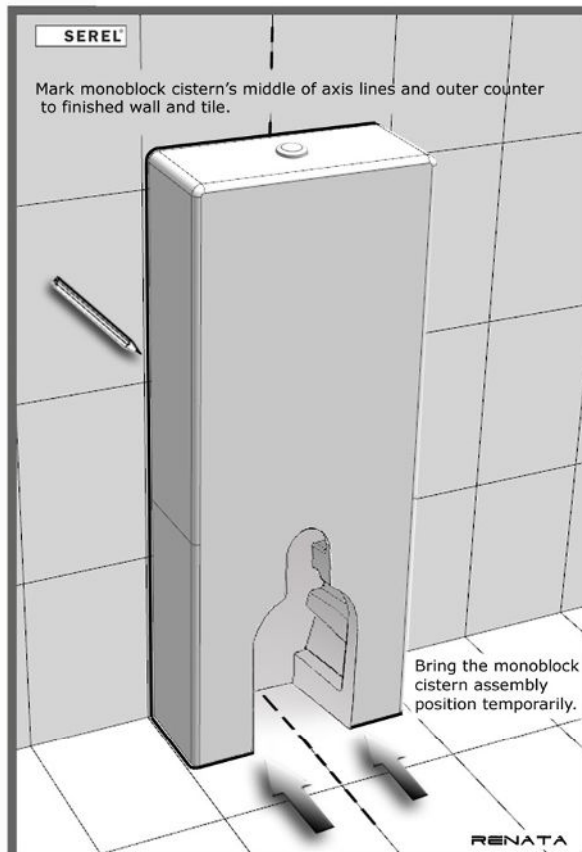
WC Pan Assembly Kit



- 006 Kombi Head Bolt 4 pcs
- 007 Washer 4 pcs
- 008 Main mount 2 pcs
- 009 Ø8 Bush 4 pcs
- 010 Flange 2 pcs
- 011 Pulling Screw 2 pcs
- 012 Bush 2 pcs
- 013 Adjustable Strip 1 pcs

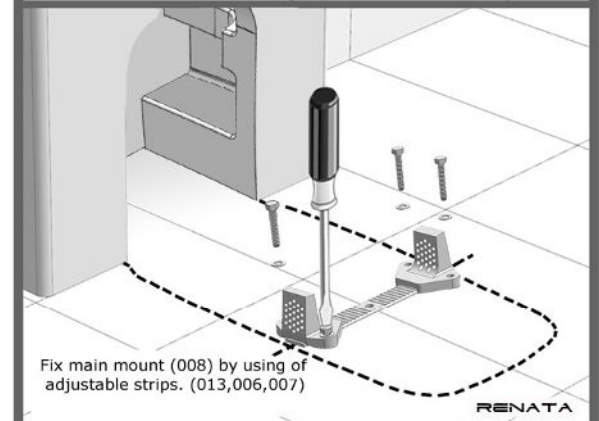
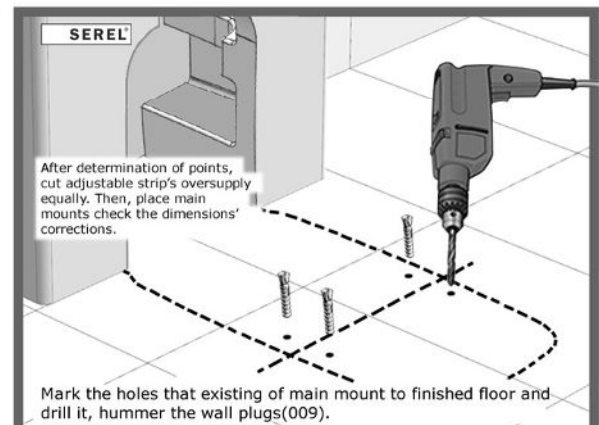
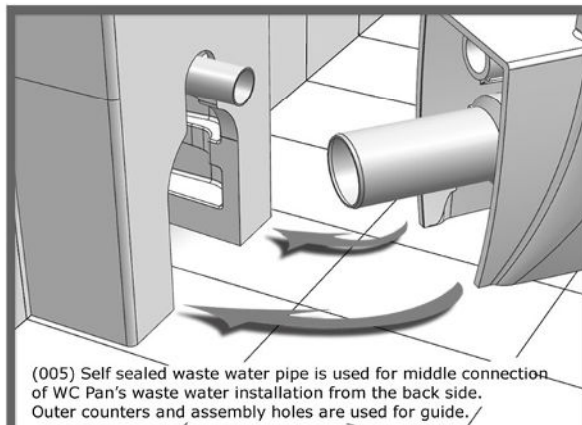
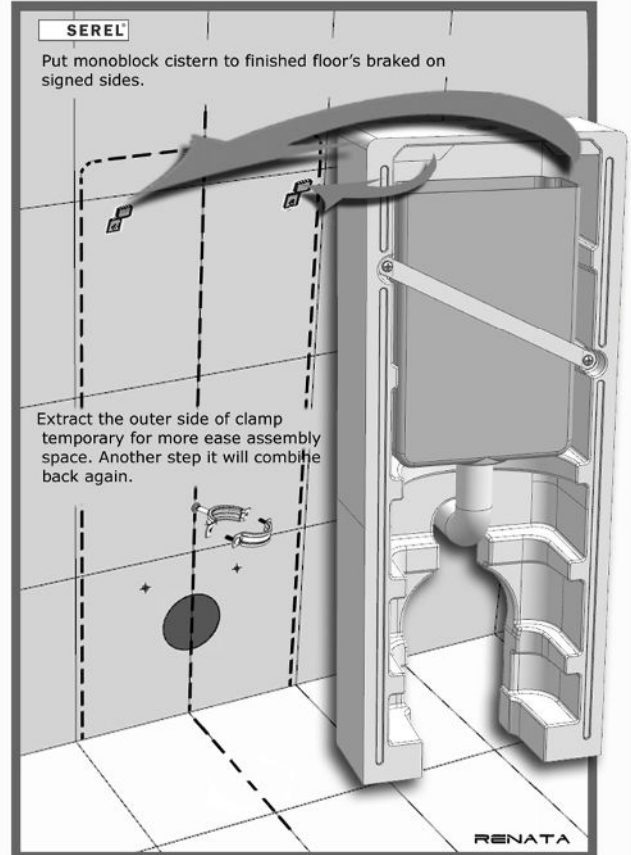
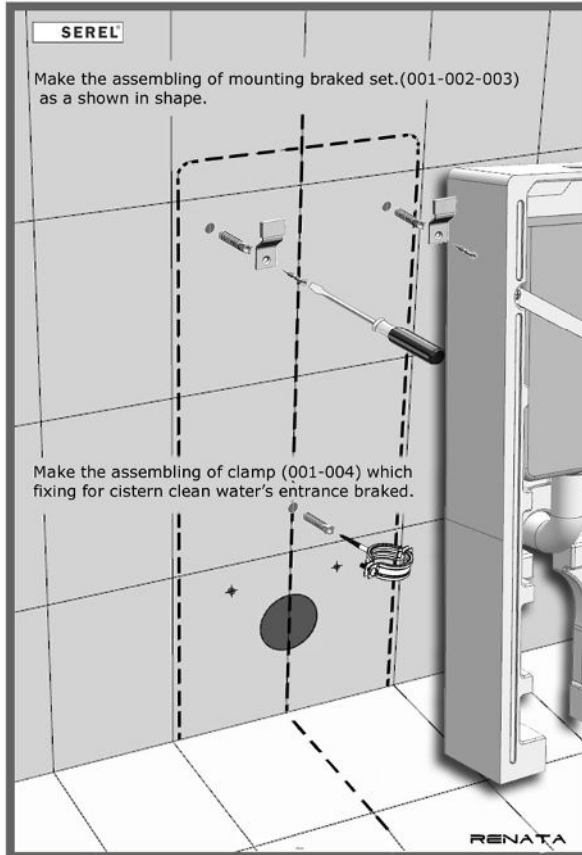
NOT: Pls use assembly kits which are given with products.

RENATA



ASSEMBLY INSTRUCTIONS

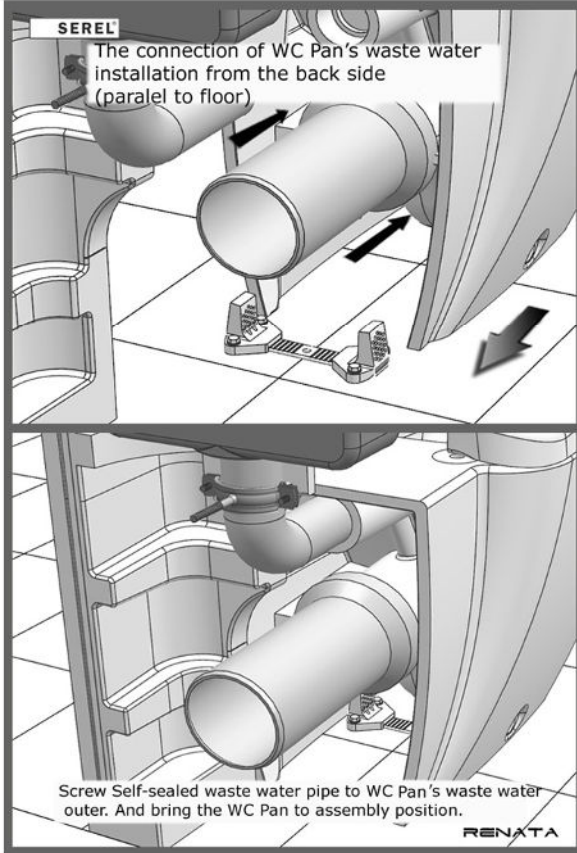
Assembly of SEREL RENATA BTW WC Pan and Monoblock Cistern 2/3 Paralel to Floor

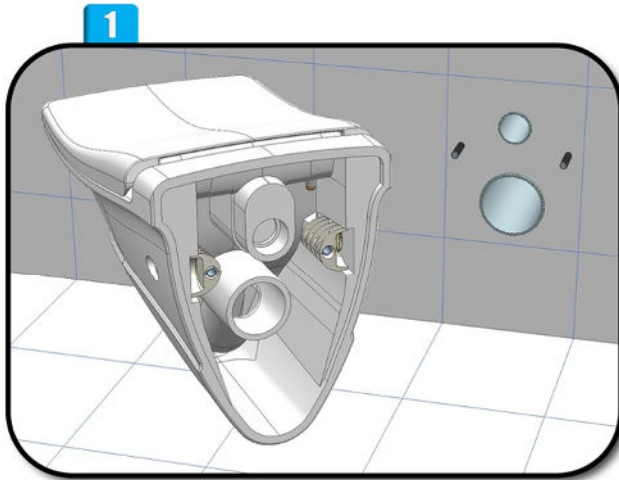


ASSEMBLY INSTRUCTIONS

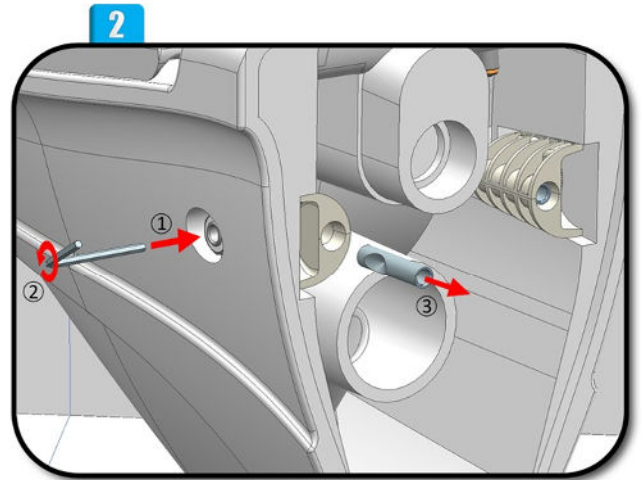
Assembly of SEREL RENATA BTW WC Pan and Monoblock Cistern 3/3

Paralel to Floor

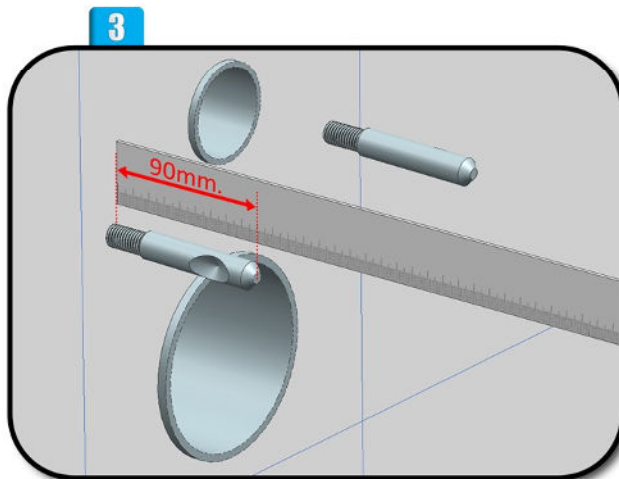


ASSEMBLY INSTRUCTIONS**SEREL Assembly Adapter (for Wall Hung WC Pan) 1/2**

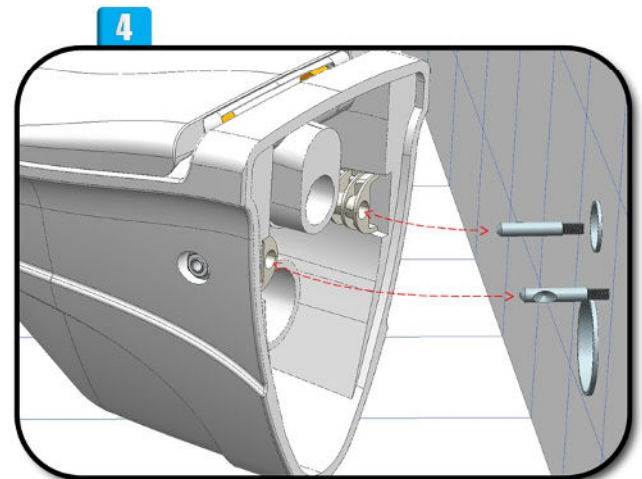
Assembly adapter has fixed to Wall Hung WC Pan. Pls prepare mounting axis range 180mm.



Extract assembly hooked adapter and loosen up setscrew by using allen range take our hooked adapter



Adjust Hooked Adapter suitable dimensions and positions to cistern studs

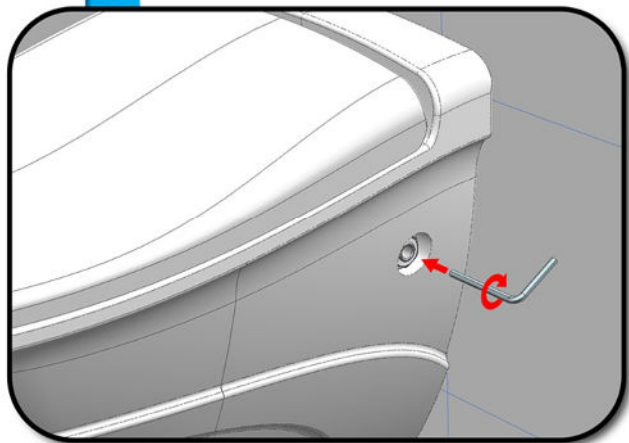


Fix the wall hung wc pan to hooked adapters.

ASSEMBLY INSTRUCTIONS

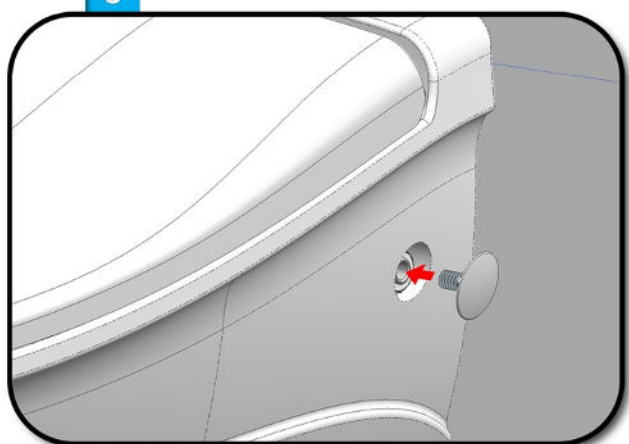
SEREL Assembly Adapter (for Wall Hung WC Pan) 2/2

5

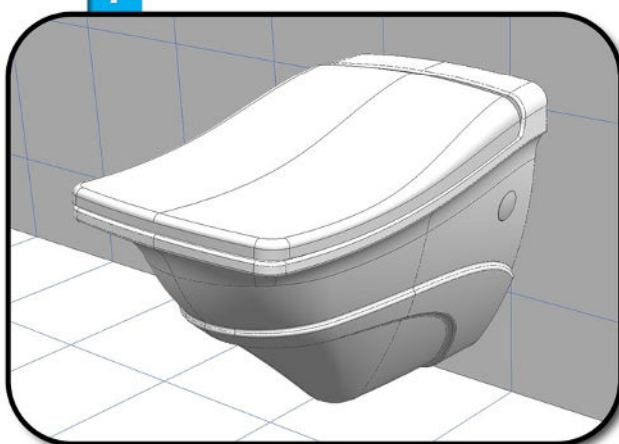


Pinch setscrew both sides with allen range

6

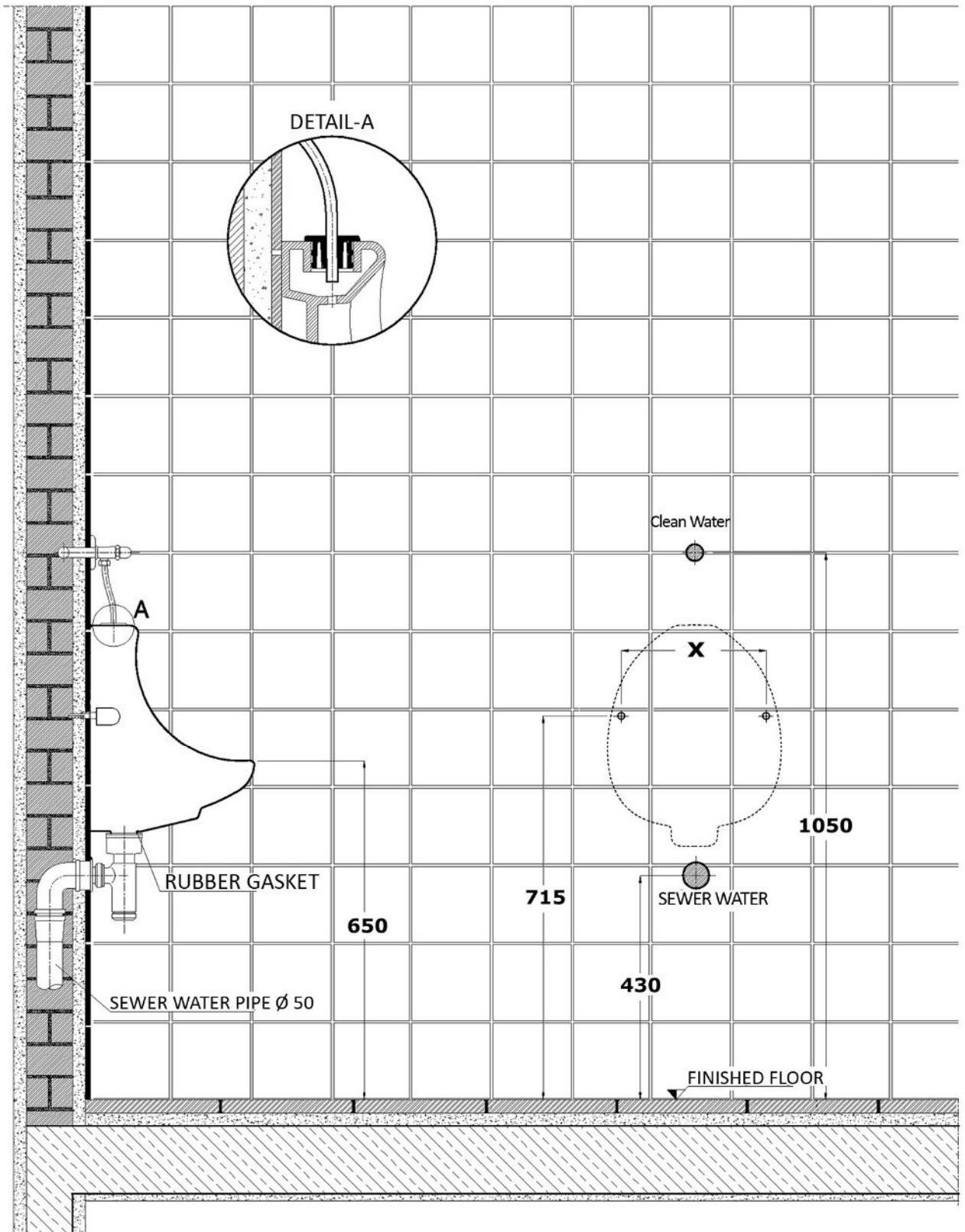


7



The assembling is finished with fixing covers on Wall Hung WC Pan

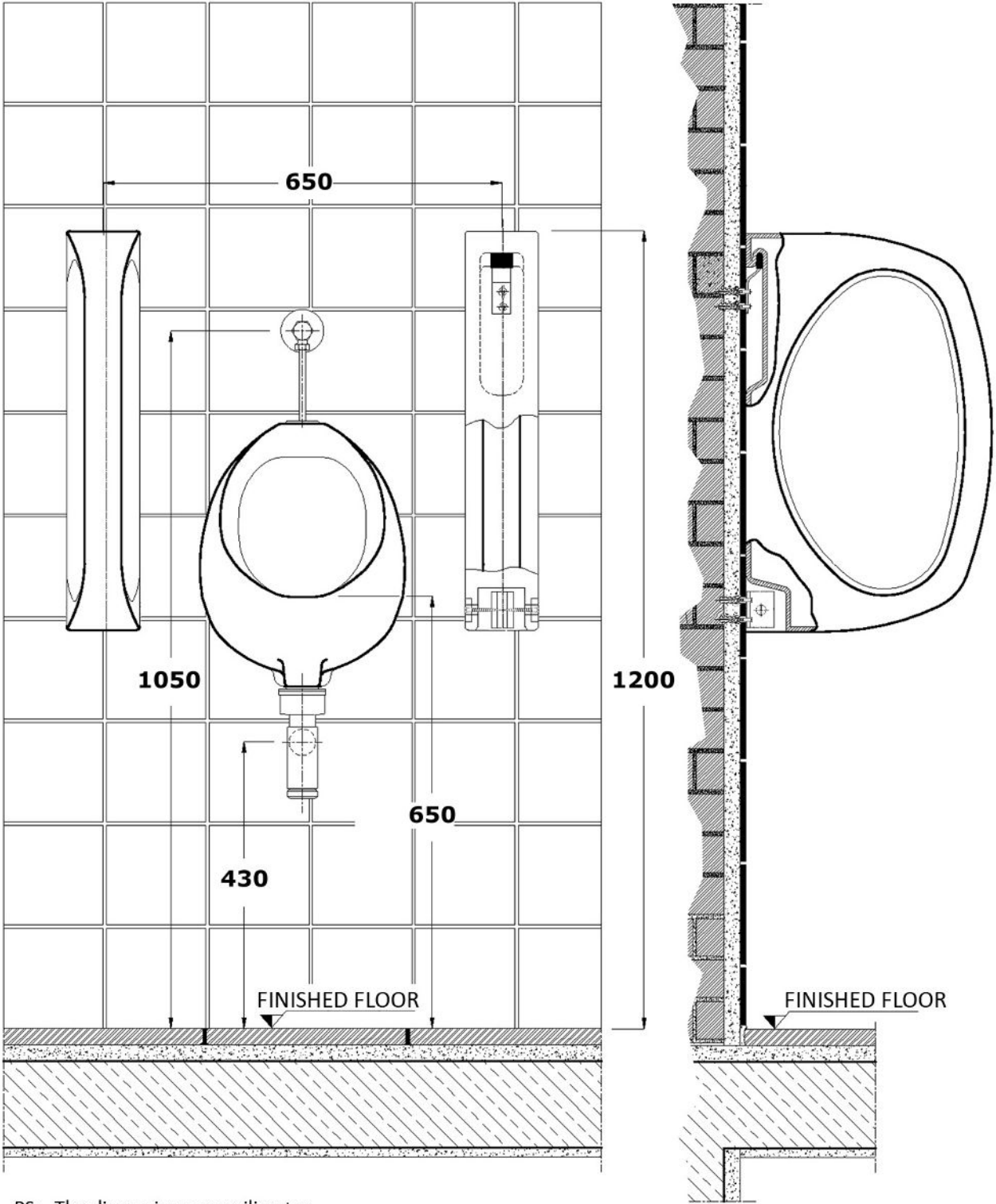
ASSEMBLY INSTRUCTIONS
0149 Assembly of Standard Urinal



P.S: Pls measure "x" dimension by considering product's itself.
 The Dimensions are millimeter.

ASSEMBLY INSTRUCTIONS

0120 Assembly of Urinal Wall Separator



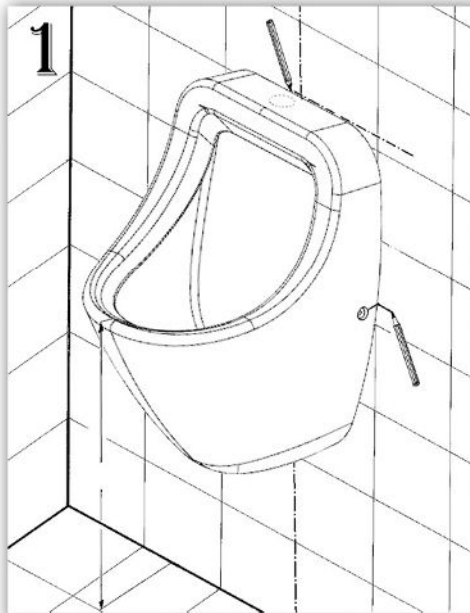
PS: The dimensions are millimeter.

ASSEMBLY INSTRUCTIONS

0129 Assembly of Syphon Urinal 1/2

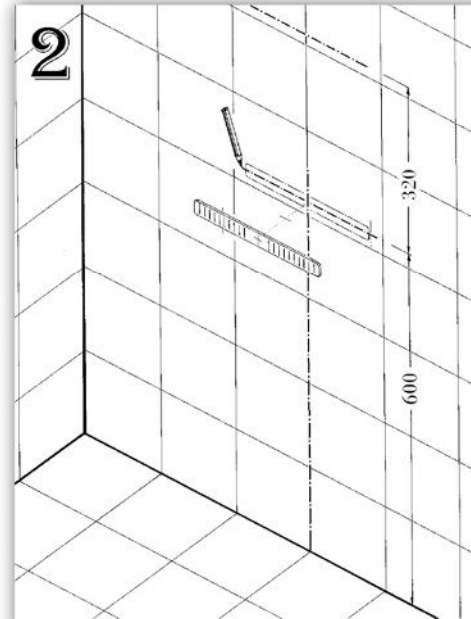
0129UZ Top Water Entry

0129AZ Rear Water Entry



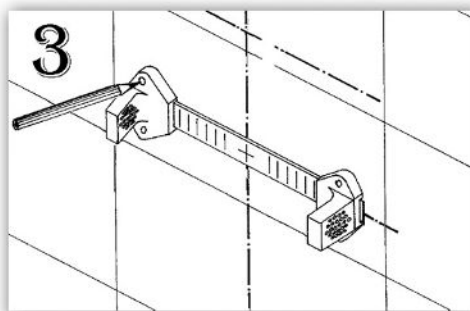
*The Urinal will be attached to the finished wall in such a way that its bottom will be 650mm. above the finished floor. An axis, which passes through the top point of the urinal and is parallel to the floor, will be drawn.

*This axis may be defined by projections of assembly holes at both sides of the urinal to confirm the accuracy of measurements.



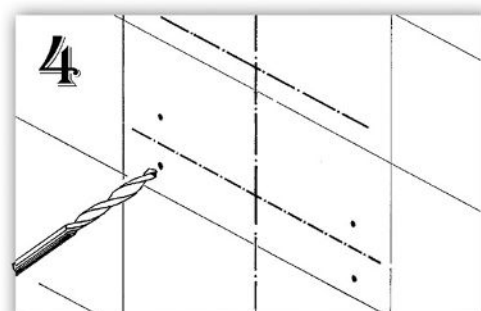
*A second axis will be drawn underneath the primary axis, which is 320mm away from it. (the height of the assembly axis is 600mm. above the finished floor)

*The length of adjustment stick must be set to a suitable measure, by cutting pieces from both ends. The distance between ceramic and assembly shoe must be "0"



*Assembly shoes will be fixed at opposite sides of the adjustment stick. After that, assembly holes of shoes will be marked on the finished wall.

*marked points will be drilled with $\varnothing 10$ drill and plastic raw plugs will be put into holes.

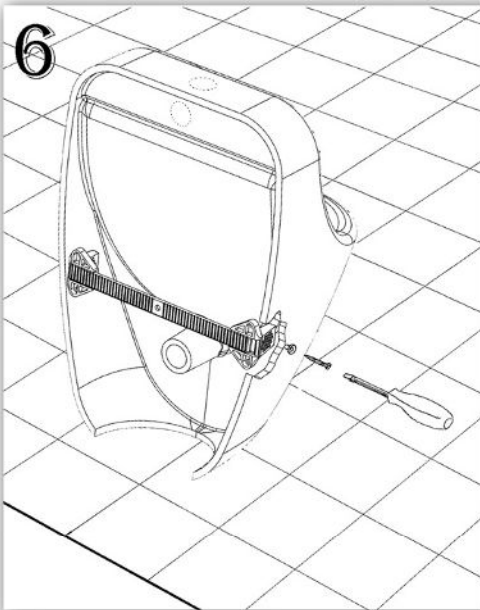
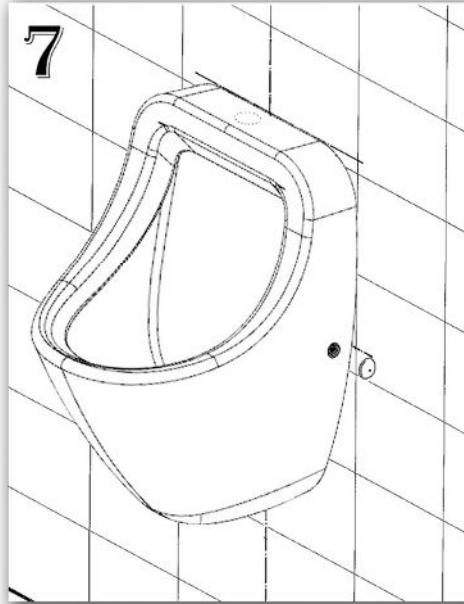
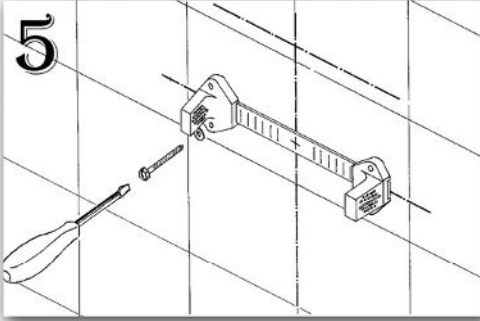


ASSEMBLY INSTRUCTIONS

0129 Assembly of Syphon Urinal 2/2

0129UZ Top Water Entry

0129AZ Rear Water Entry



*Assembly shoes will be fixed to the finished floor by M6X65 screws.

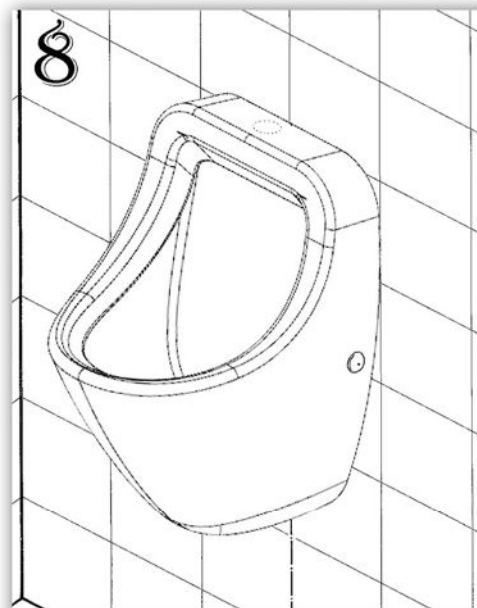
*After finishing of clean and waste water installations, the urinal will be assembled with M5X45 stainless screws, which will be inserted into the holes on both sides of the product.

*Cabs will be fixed to plastic bushes to close assembly holes.

*Silicone must be applied at joining points of the finished floor and the product.

PS: Don't the urinal by using coment,gypsum or alike dilating material.

Otherwise the product may crack.

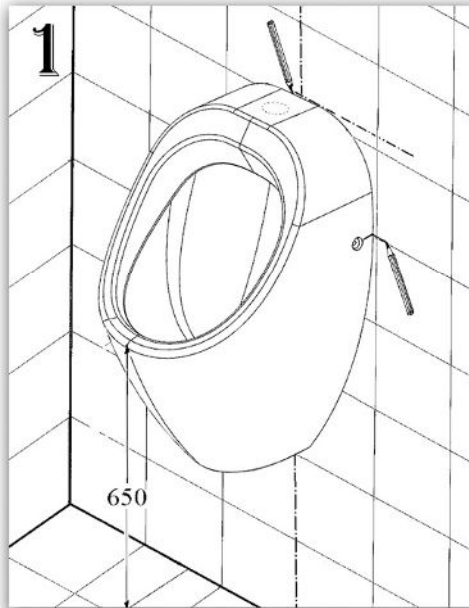


ASSEMBLY INSTRUCTIONS

0139 Assembly of Spyon Urinal 1/2

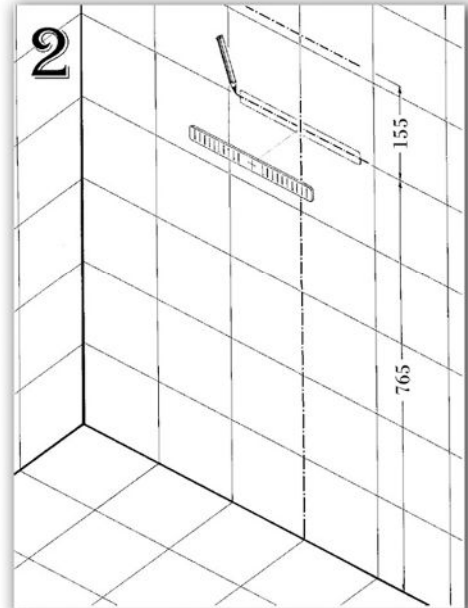
0139UZ Top Water Entry

0139AZ Rear Water Entry



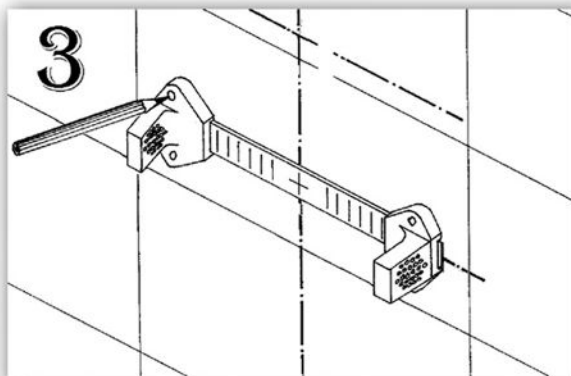
*The Urinal will be attached to the finished wall in such a way that its bottom will be 650mm. above the finished floor. An axis, which passes through the top point of the urinal and parallel to the floor, will be drawn.

*This axis may be defined due to projections of assembly holes at both sides of the urinal to confirm the accuracy of measurements.

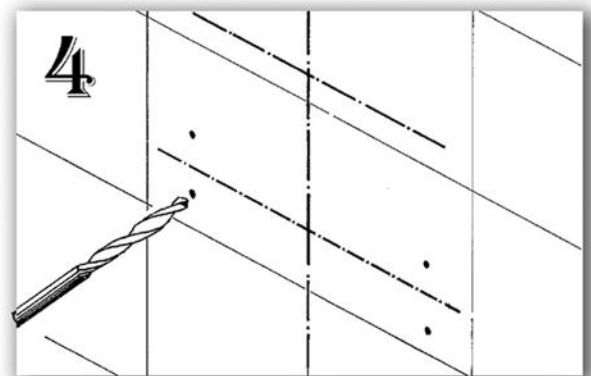


*A second axis will be drawn underneath the primary axis, which is 155mm. away from it. (the height of the assembly axis is approximately 765mm. above the finished floor)

*The length of adjustment stick must be set to a suitable measure, by cutting pieces from both ends. The distance between ceramic and assembly shoe must be "0".



*Assembly shoes will be fixed at opposite sides of the adjustment stick. After that, assembly holes of shoes will be marked on the finished wall.



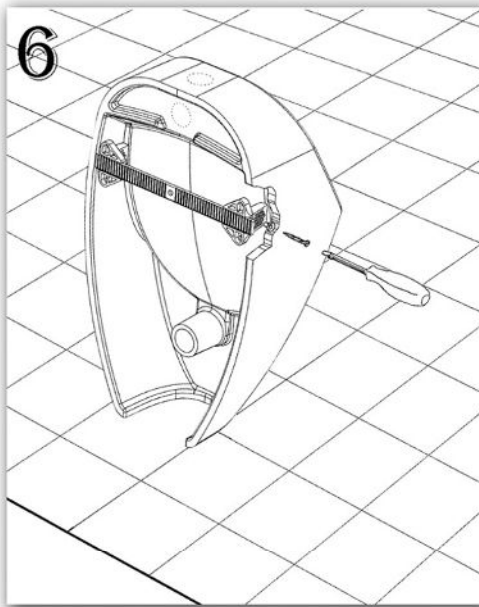
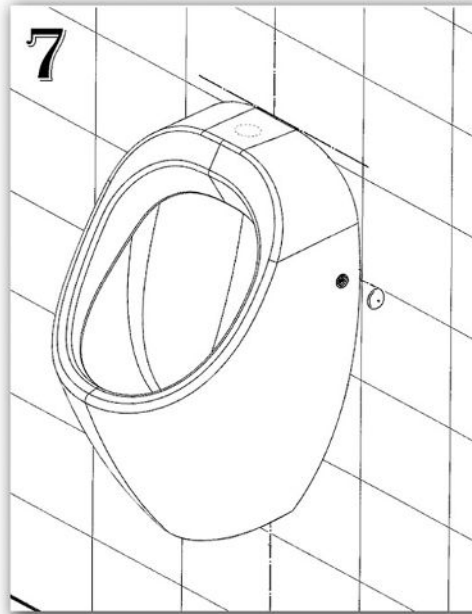
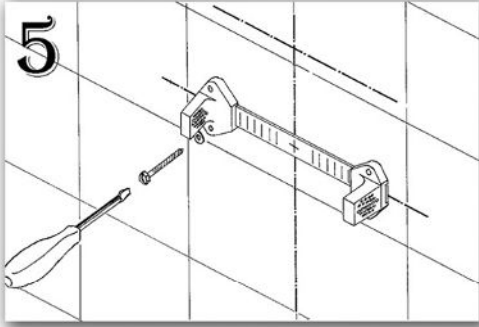
*Marked points will be drilled with $\varnothing 10$ drill and plastic raw plugs will be put into holes.

ASSEMBLY INSTRUCTIONS

0139 Assembly of Syphon Urinal 2/2

0139UZ Top Water Entry

0139AZ Rear Water Entry



*Assembly shoes will be fixed to the finished floor by M6x65 screws.

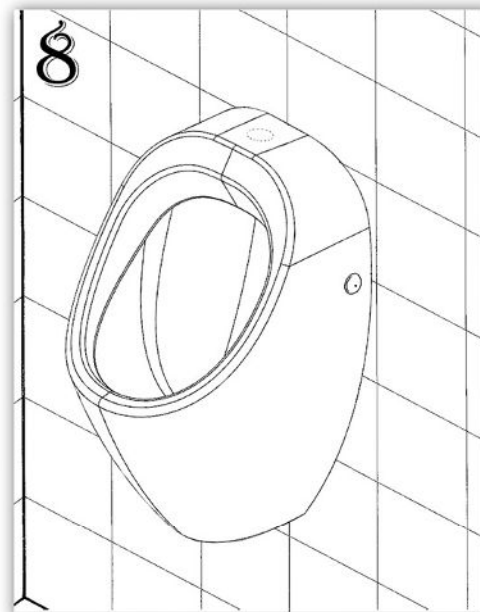
*After finishing of clean and waste water installations, the urinal will be assembled with M5xM45 stainless screws, which will be inserted into the holes on both sides of the product.

*Cabs will be fixed to plastic bushes to close assembly holes.

*Silicone must be applied at joining points of the finished floor and product.

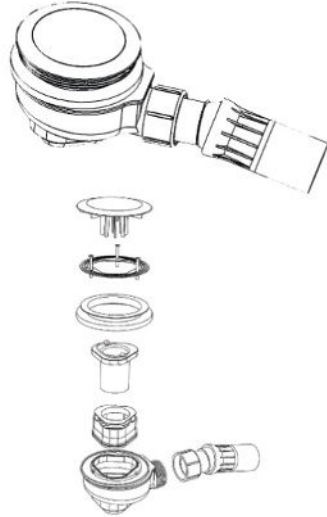
PS: Don't assemble the urinal by using cement, gypsum or alike dilating material.

Otherwise the product may crack.



ASSEMBLY INSTRUCTIONS SEREL EQ Modular Shower Unit 1/2

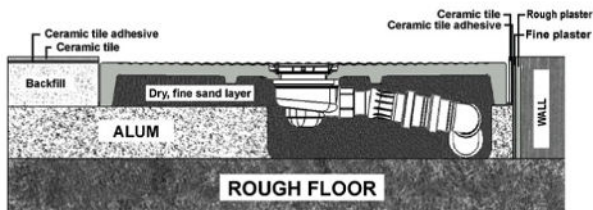
Fittings supplied



Notice: "Moduler Shower Unit" can also be used with syphons systems with vertical outlets, if the infrastructure permits.

First keep the rough floor waterproof with adjacent coatings available in the market.

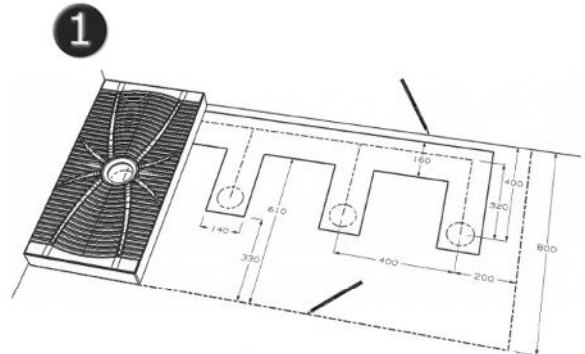
Notice: Follow the producer's instructions carefully .



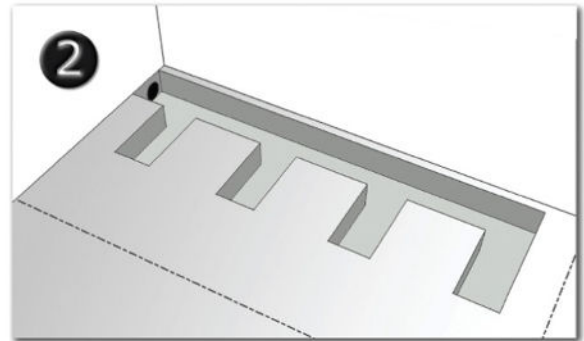
Important: Check for the balance and flatness of the alum layer before commencing the installation of SEREL EQ.

Putting a filling layer of sand will help to correct fit of units. It also will prevent the noise of falling water acoustically.

Locate the units temporarily to their places. Mark the projection of contoural lines, waste holes and piping system. This is required for defining the space , which will be left during the filling of the alum.

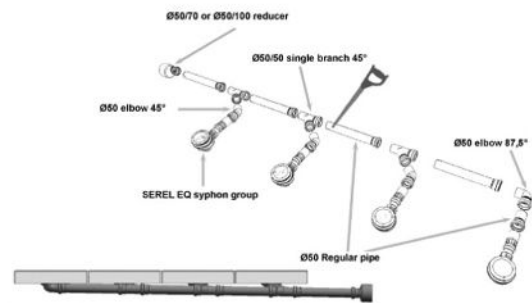


Pls use Modular Shower unit as template during the assembling.

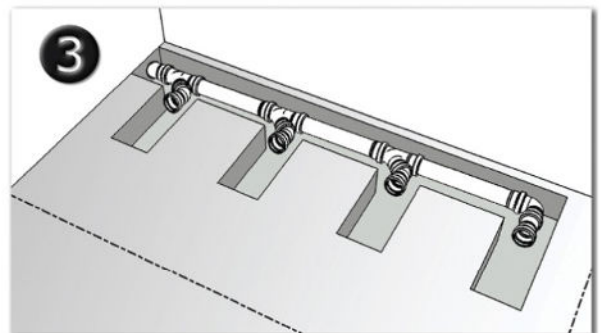


Assemble and install waste water piping inside the channel seen above. Use Ø50 mm. waste water pipes and fittings and always be sure of the tightness against leakage.

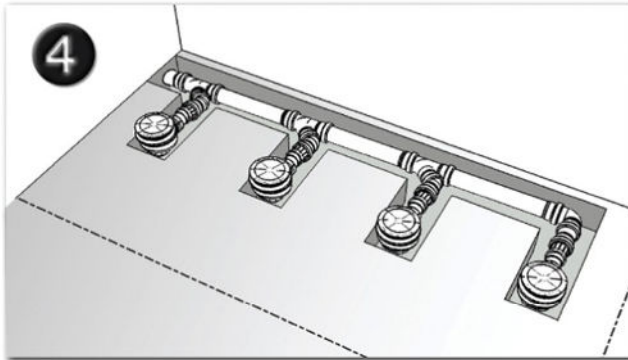
All dimensions are in mm.'s.



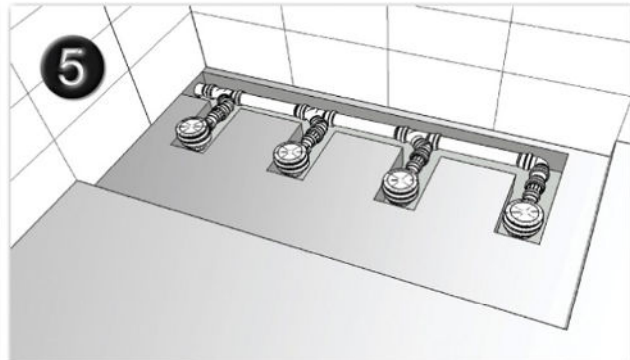
Keep a slope of %2-4 which is essential for the waste water flow.



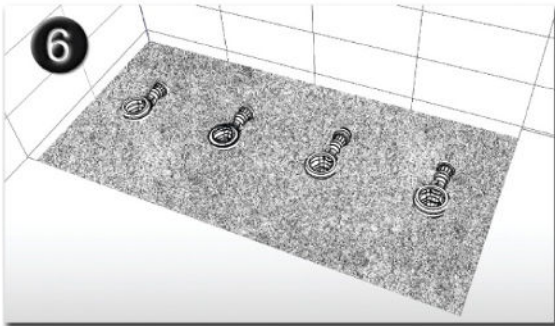
ASSEMBLY INSTRUCTIONS SEREL EQ Modular Shower Unit 2/2



4
Install the syphons to waste water piping. Follow the instructions of syphon producer.



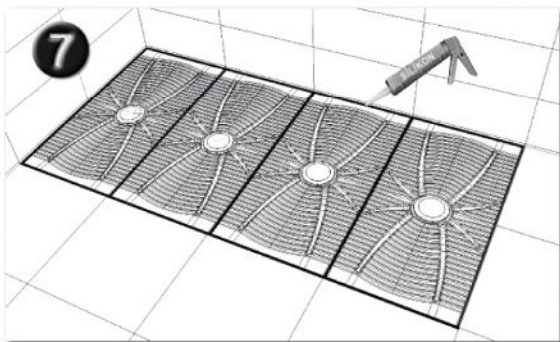
5
Apply the backfill material on the top of the alum layer. Do not fill the channels for the waste water piping.



6
Fill the place with dry, fine sand; where SEREL EQ will be installed.

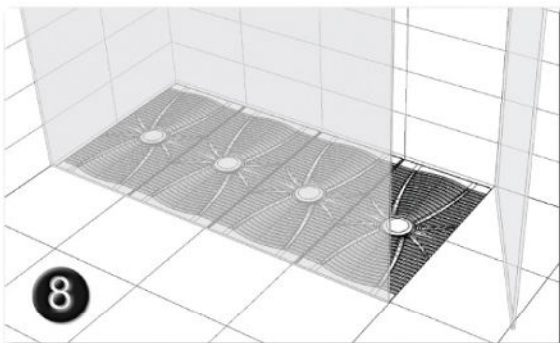
The sand layer will improve the resistance of units; also provide a perfect fit with acoustically noise reduction.

Proceed the installation of ceramic floor tiles and finish.



7
The gap between SEREL EQ units must not exceed 3 mm. Fill the spaces with an anti-bacterial silicone based paste. Never use cement, gypsum or alike dilating material for this purpose.

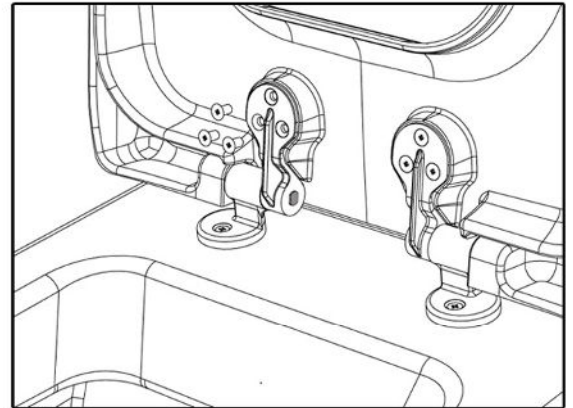
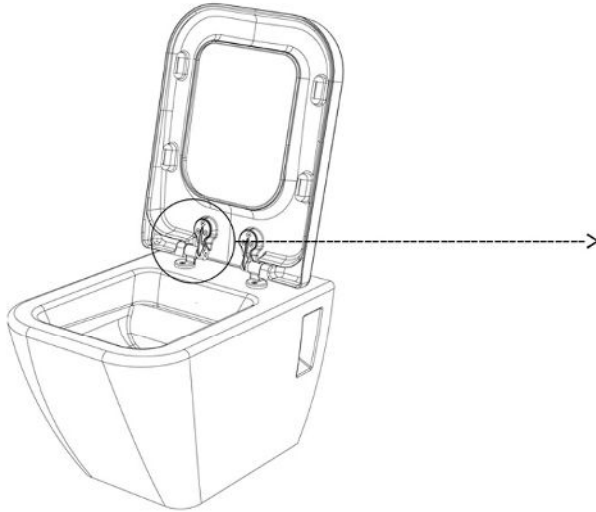
IMPORTANT: SEREL EQ units must be 8-10 mm. lower than the finished floor level. Do NOT give any additional slope during installation of units, since they have been already produced within a necessary slope for fluent waste water drainage.



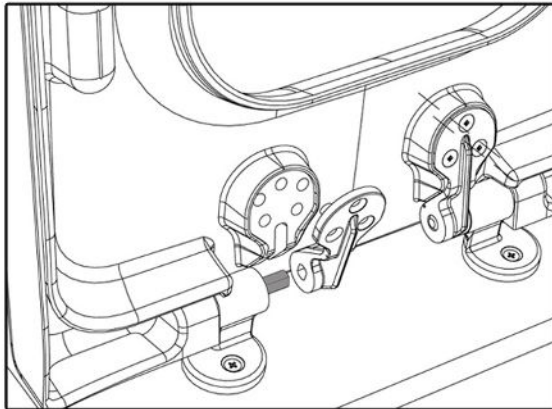
8
For shower and steam cabins, consider borderlines of SEREL EQ units (in other words, the end of ceramic tile) as the assembly location. This will prevent unnecessary water accumulation on ceramic tiles .

ASSEMBLY INSTRUCTIONS

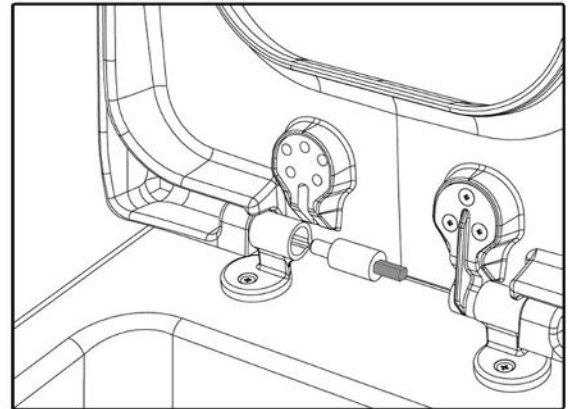
Changing of SEREL SilentClose Seat Cover Component



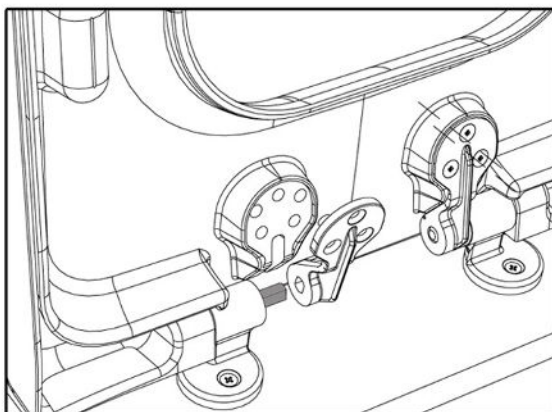
1) Pls remove screws.



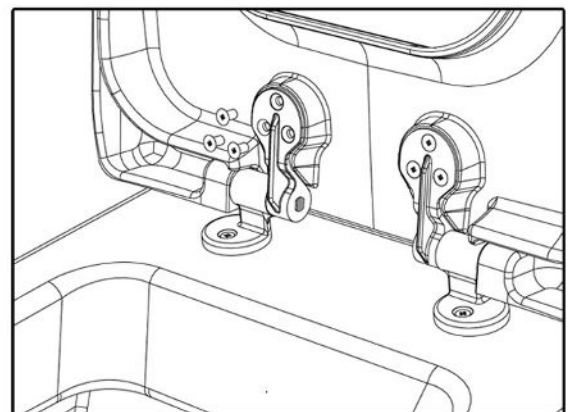
2) Pls demount plastic piece which connected to the lower seat cover.



3) Pls unplug the component which is inside of main plastic piece by keeping black colored side.

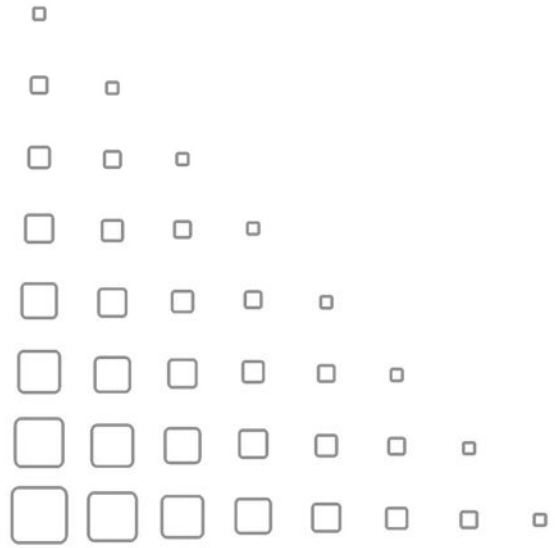


4) Pls replace plastic piece which is deletion of 2. step and place the seat cover.



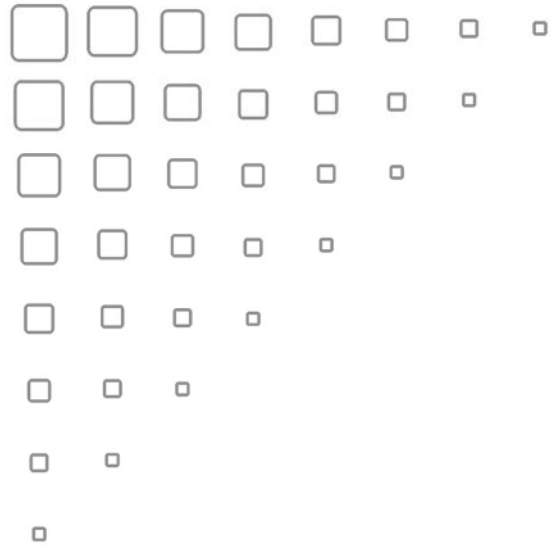
5) Place the bolts.

PS: This steps for component of lower seat cover changing instructions, upper seat cover component's changing instructions are the same as lower one.



SEREL®

BATHROOM SUITS



MARINE

PRODUCT NAME
MR01 / Washbasin

STANDARD
TS EN 14688

ASSEMBLY KIT

- 150400300011 / Overflow Ring
- 150400300177 / Washbasin Assembly Kit

SUITABLE PEDESTAL

- MR21 / Semi Pedestal

WEIGHT
27.930 kg.



PRODUCT NAME
MR21 / Semi Pedestal

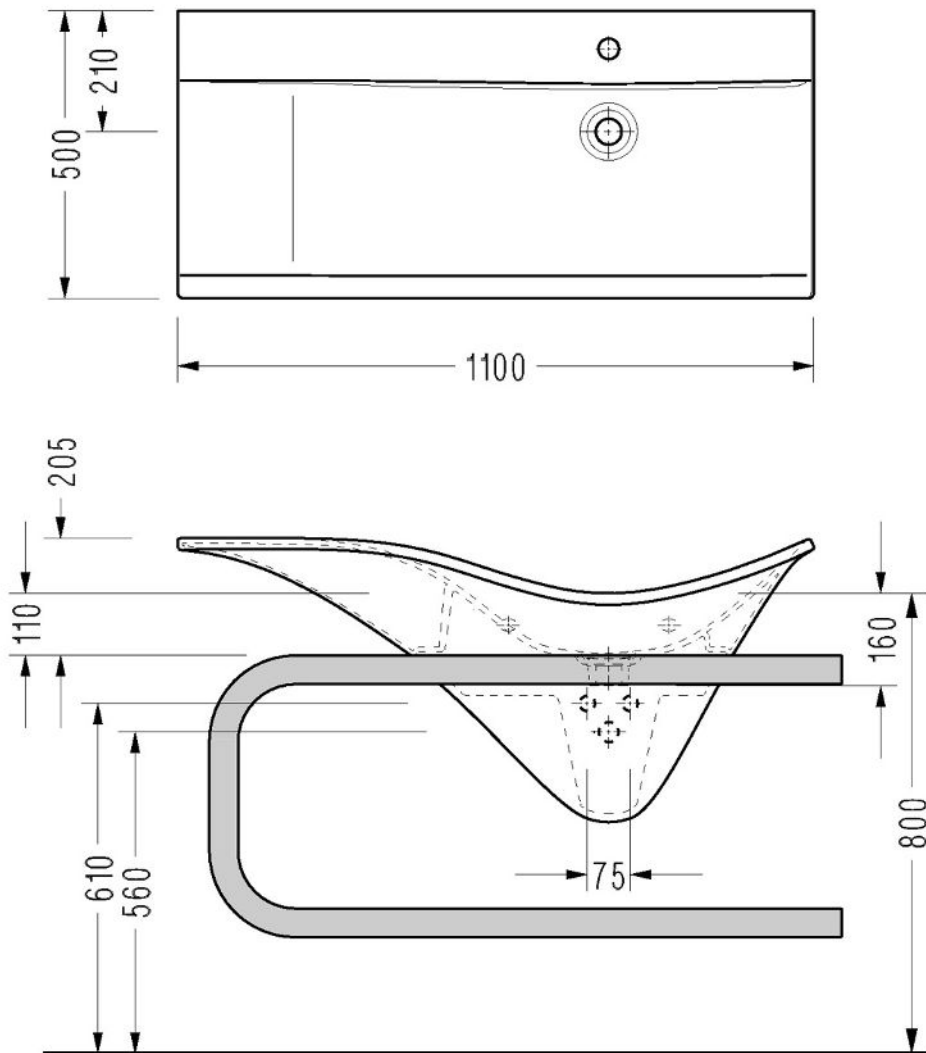
ASSEMBLY KIT

- 150400300270 / MARINE Semi Pedestal Assembly Kit

SUITABLE WASHBASIN

- MR01 / Washbasin

WEIGHT
10.000 kg.



PS
610 and 560 dimensions which at technical drawings are for using syphons w/o pop-up.
These dimensions should be draw 30mm when using syphons with pop-up.

MARINE

PRODUCT NAME
MR01 / Washbasin

STANDARD
TS EN 14688

ASSEMBLY KIT

- 150400300011 / Overflow Ring
- 150400300177 / Washbasin Assembly Kit

SUITABLE PEDESTAL

- MR21 / Semi Pedestal

WEIGHT
27.930 kg.



PRODUCT NAME
MR21 / Semi Pedestal

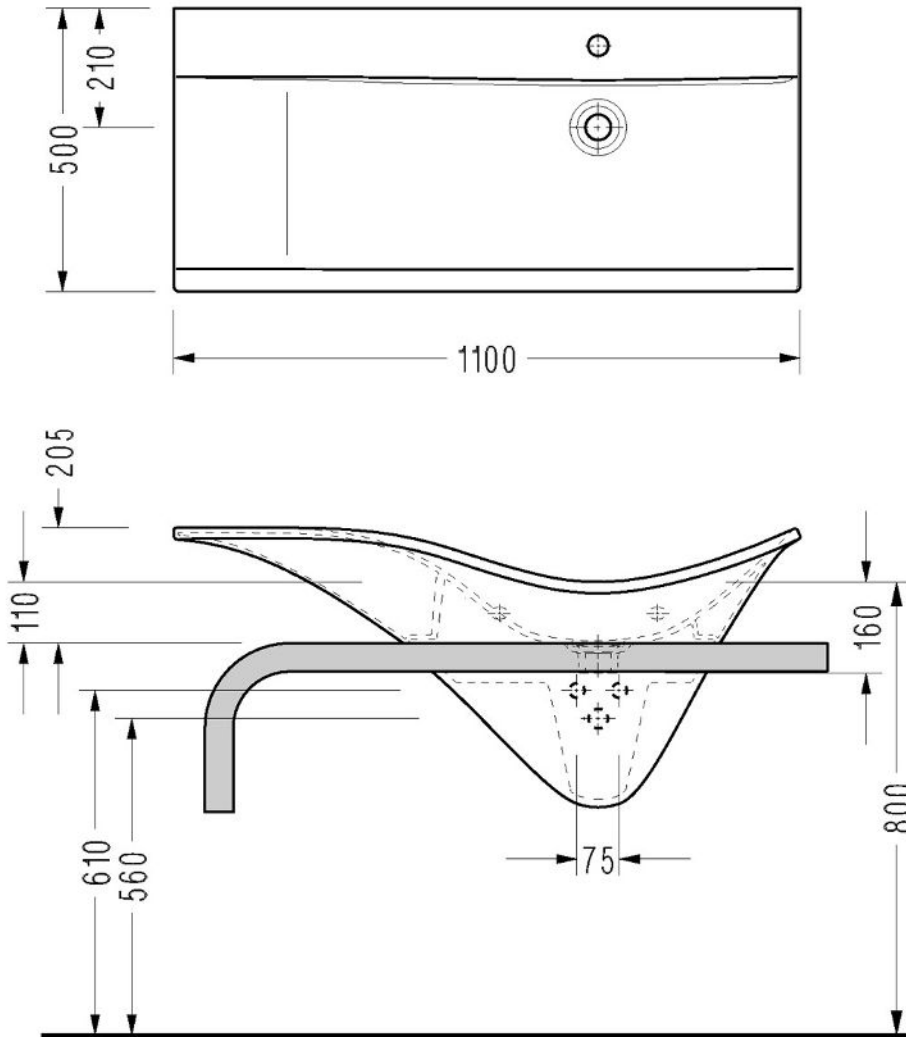
ASSEMBLY KIT

- 150400300270 / MARINE Semi Pedestal Assembly Kit

SUITABLE WASHBASIN

- MR01 / Washbasin

WEIGHT
10.000 kg.



PS
610 and 560 dimensions which at technical drawings are for using syphons w/o pop-up.
These dimensions should be draw 30mm when using syphons with pop-up.

MARINE



PRODUCT NAME

MR10 / Wall Hung WC Pan

STANDARD

TS 800 EN 997

ASSEMBLY KIT

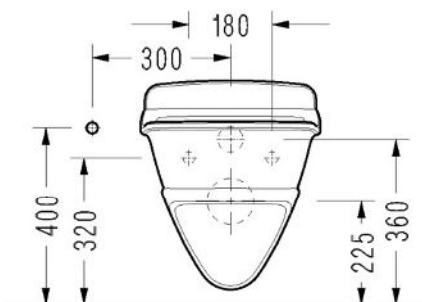
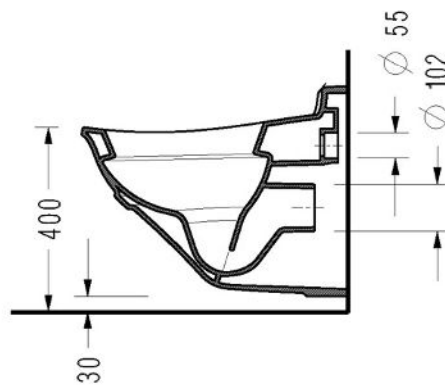
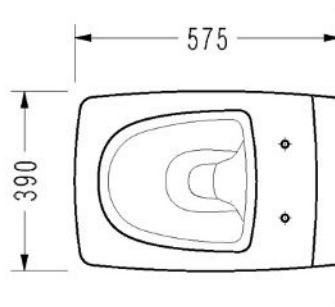
- 150400300187 / 120mm. Built-in Lustration System
- 150400300189 / 120mm. Built-in Lustration (nearest of the ceramic surface) (built-in system)
- 150400300290 / SEREL WC Pan Assembly Adapter
- 150400300250 / 3/8" Connection Adapter

SUITABLE SEAT COVER

- 233MR00002 / MARINE EasyRelease & SilentClose Duroplast Seat Cover
- 223MR00002 / MARINE EasyRelease & SilentClose Duroplast Seat Cover (anti-bacterial)
- 230MR00002 / MARINE EasyRelease Duroplast Seat Cover
- 220MR00002 / MARINE EasyRelease Duroplast Seat Cover (anti-bacterial)

WEIGHT

23.375 kg.



PEBBLE

PRODUCT NAME
PB40 / Washbasin

STANDARD
TS EN 14688

ASSEMBLY KIT

- 150400300177 / Washbasin Assembly Kit
- 150400300043 / Minimal Assembly Kit (2pcs)

SUITABLE PEDESTAL

- PB05 / Full Pedestal
- PB21 / Semi Pedestal

WEIGHT
13.620 kg.



PRODUCT NAME
PB05 / Full Pedestal

SUITABLE WASHBASIN

- PB40 / Washbasin
- PB42 / Washbasin
- PB44 / Washbasin

WEIGHT
8.250 kg.



PRODUCT NAME
PB21 / Semi Pedestal

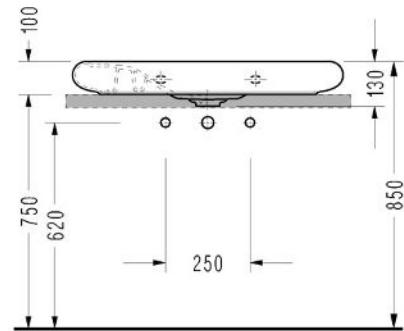
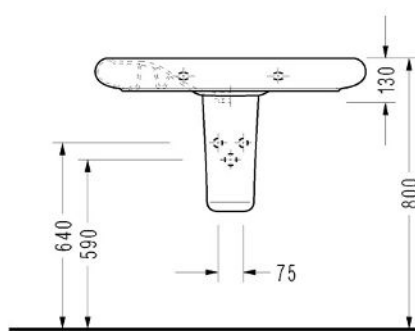
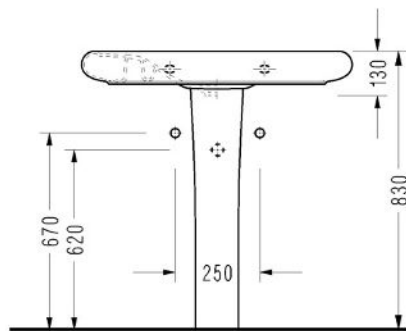
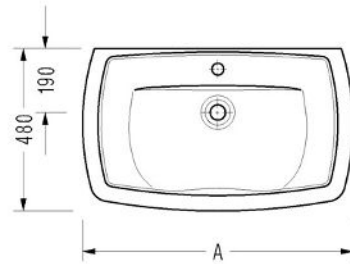
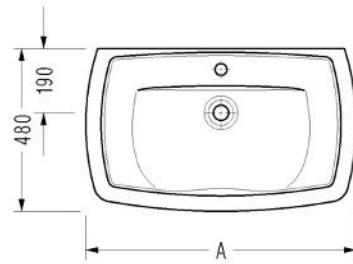
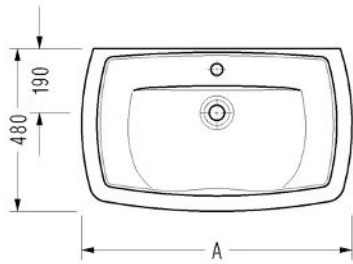
ASSEMBLY KIT

- 150400300082 / Spring Type Assembly Kit

SUITABLE WASHBASIN

- PB40 / Washbasin
- PB42 / Washbasin
- PB44 / Washbasin

WEIGHT
7.190 kg.



	A
PB40	600
PB42	800
PB44	1000

PS
Only use with syphons w/o pop-up.

PEBBLE

PRODUCT NAME
PB42 / Washbasin

STANDARD
TS EN 14688

ASSEMBLY KIT

- 150400300177 / Washbasin Assembly Kit
- 150400300043 / Minimal Assembly Kit (2pcs)

SUITABLE PEDESTAL

- PB05 / Full Pedestal
- PB21 / Semi Pedestal

WEIGHT
18.840 kg.



PRODUCT NAME
PB05 / Full Pedestal

SUITABLE WASHBASIN

- PB40 / Washbasin
- PB42 / Washbasin
- PB44 / Washbasin

WEIGHT
8.250 kg.



PRODUCT NAME
PB21 / Semi Pedestal

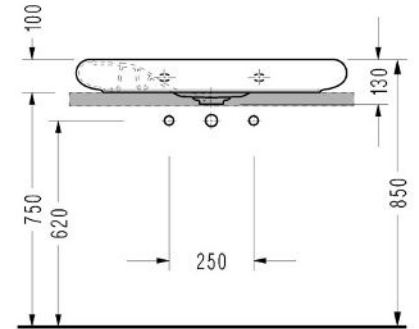
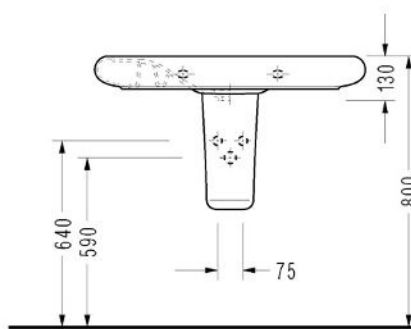
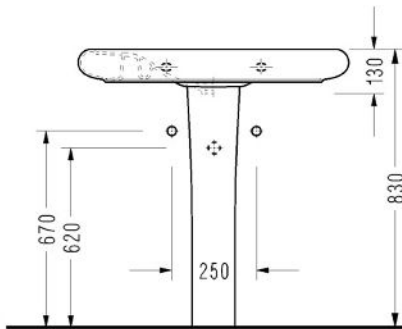
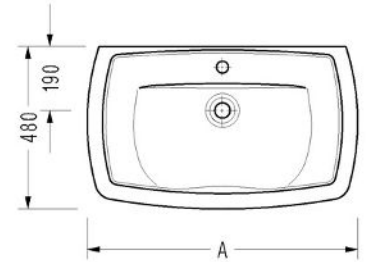
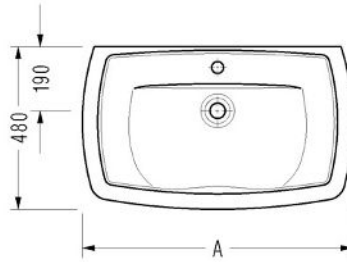
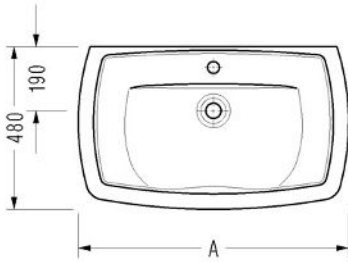
ASSEMBLY KIT

- 150400300082 / Spring Type Assembly Kit

SUITABLE WASHBASIN

- PB40 / Washbasin
- PB42 / Washbasin
- PB44 / Washbasin

WEIGHT
7.190 kg.



	A
PB40	600
PB42	800
PB44	1000

PS
Only use with syphons w/o pop-up.

PEBBLE

PRODUCT NAME
PB44 / Washbasin

STANDARD
TS EN 14688

ASSEMBLY KIT

- 150400300177 / Washbasin Assembly Kit
- 150400300043 / Minimal Assembly Kit

SUITABLE PEDESTAL

- PB05 / Full Pedestal
- PB21 / Semi Pedestal

WEIGHT
22.740 kg.



PRODUCT NAME
PB05 / Full Pedestal

SUITABLE WASHBASIN

- PB40 / Washbasin
- PB42 / Washbasin
- PB44 / Washbasin

WEIGHT
8.250 kg.



PRODUCT NAME
PB21 / Semi Pedestal

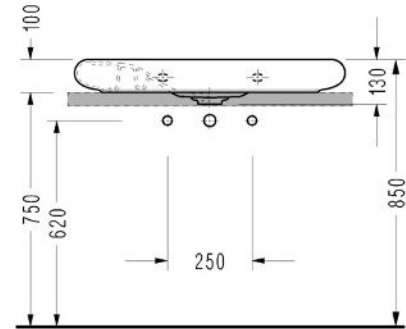
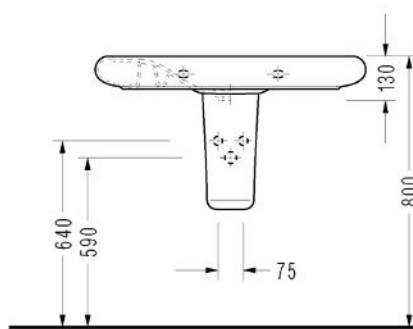
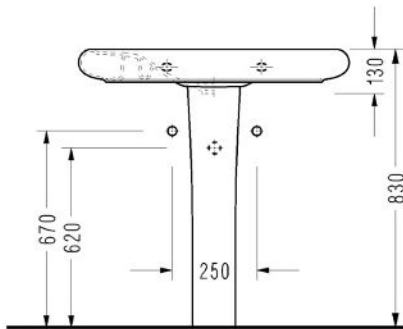
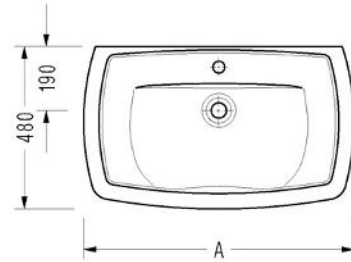
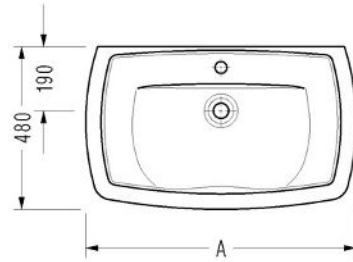
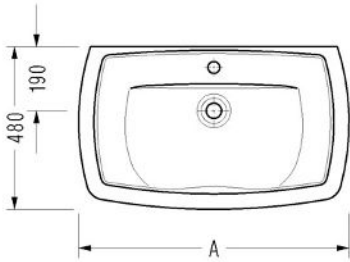
ASSEMBLY KIT

- 150400300082 / Spring Type Assembly Kit

SUITABLE WASHBASIN

- PB40 / Washbasin
- PB42 / Washbasin
- PB44 / Washbasin

WEIGHT
7.190 kg.



	A
PB40	600
PB42	800
PB44	1000

PS
Only use with syphons w/o pop-up.

PEBBLE

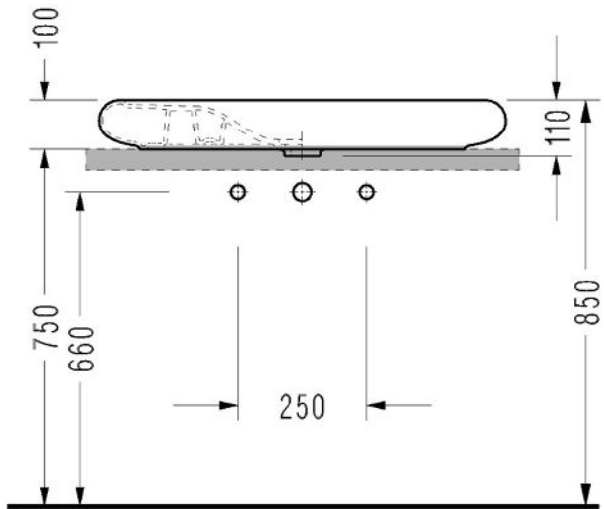
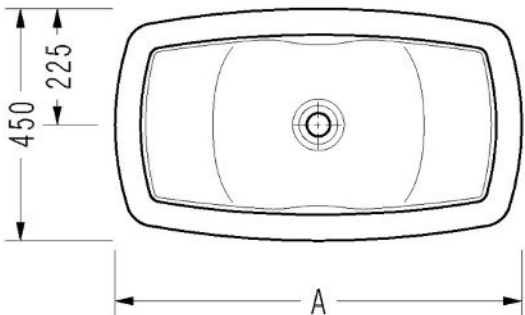


PRODUCT NAME
PB30 / Washbasin

STANDARD
TS EN 14688

ASSEMBLY KIT
• 150400300043 / Minimal Assembly Kit (2pcs)

WEIGHT
11.650 kg.



	A
PB30	600
PB31	800

PS
Only use with syphons w/o pop-up.

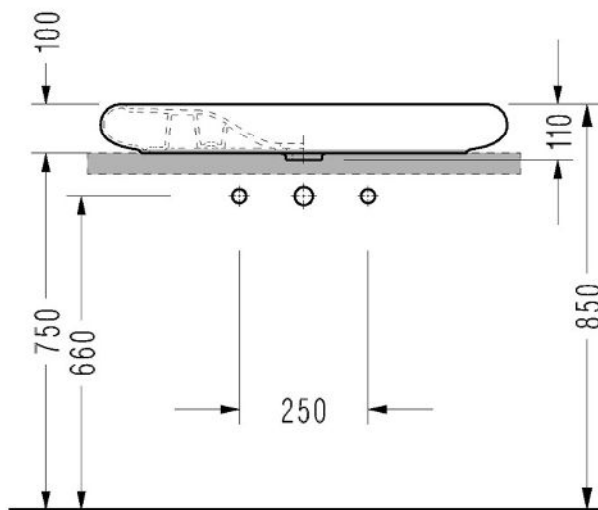
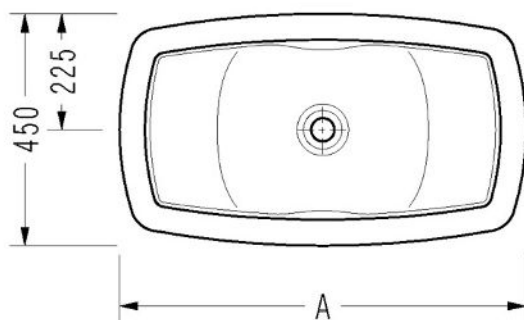
PEBBLE

PRODUCT NAME
PB31 / Washbasin

STANDARD
TS EN 14688

ASSEMBLY KIT
• 150400300043 / Minimal Assembly Kit (2pcs)

WEIGHT
17.960 kg.



	A
PB30	600
PB31	800

PS
Only use with syphons w/o pop-up.

SMART



PRODUCT NAME

SM10 / Wall Hung WC Pan

STANDARD

TS 800 EN 997

ASSEMBLY KIT

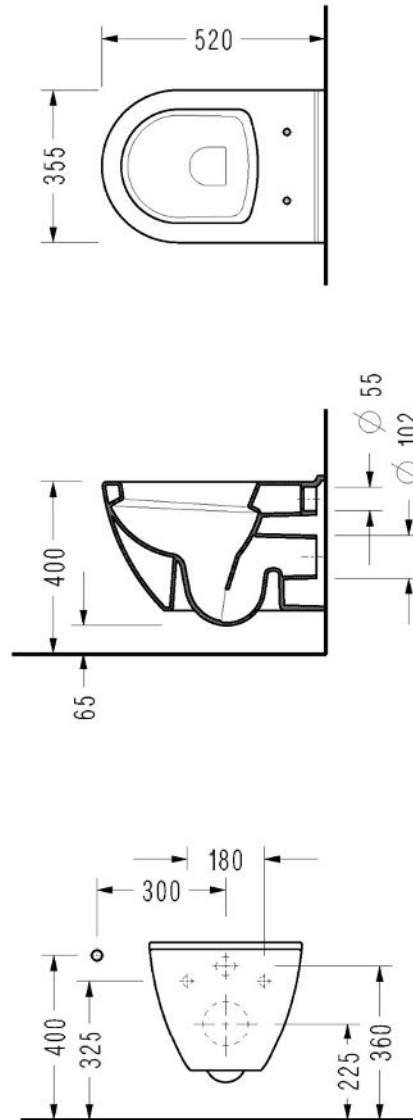
- 150400300110 / Built-in Lustration System (110mm.)
- 150400300212 / Built-in Lustration (nearest of the ceramic surface) (90mm.) (special 90° built-in system)
- 150400300250 / 3/8" Connection Adapter

SUITABLE SEAT COVER

- 2036001002 / SPIL SilentClose Duroplast Seat Cover
- 2236001002 / SPIL SilentClose Duroplast Seat Cover (anti-bacterial)
- 2006001002 / SPIL Duroplast Seat Cover
- 2206001002 / SPIL Duroplast Seat Cover (anti-bacterial)

WEIGHT

23.660 kg.



SMART

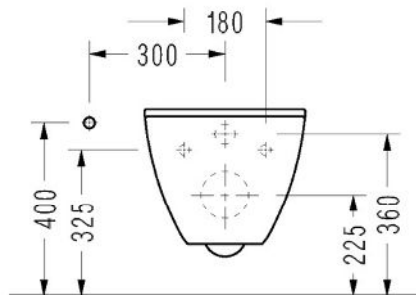
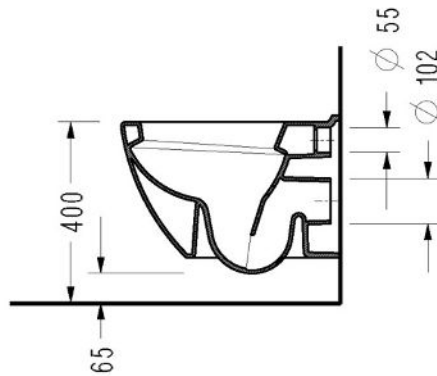
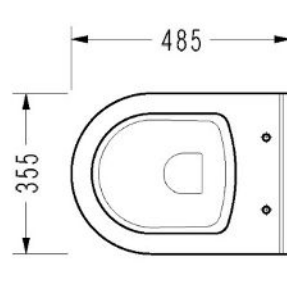
PRODUCT NAME
SM12 / Wall Hung WC Pan

STANDARD
TS 800 EN 997

- ASSEMBLY KIT
- 150400300195 / Hidden Lustration System (90mm.)
 - 150400300173 / Built-in Lustration System (90mm.)
 - 150400300211 / Built-in Lustration (nearest of the ceramic surface) (80mm.) (special 90° built-in system)
 - 150400300250 / 3/8" Connection Adapter

- SUITABLE SEAT COVER
- 2006001002 / SPIL Duroplast Seat Cover
 - 2206001002 / SPIL Duroplast Seat Cover (anti-bacterial)

WEIGHT
21.870 kg.



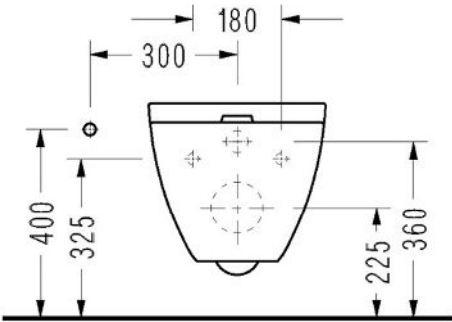
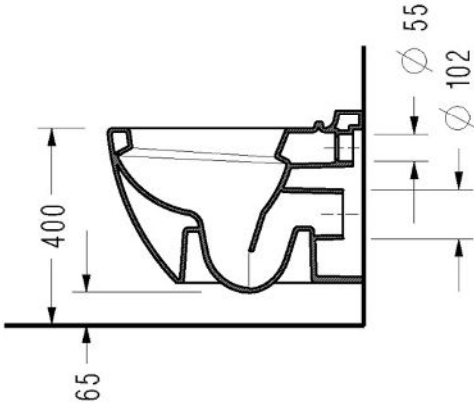
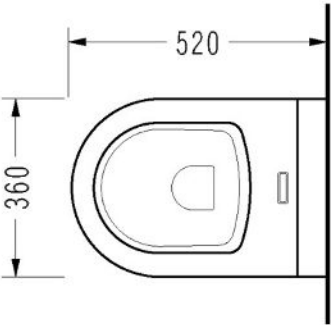
SMART

PRODUCT NAME
SM13 / Wall Hung WC Pan

STANDARD
TS 800 EN 997

SUITABLE SEAT COVER
• 2016001002 / SPIL Magnesia Seat Cover

WEIGHT
26.140 kg.



SMART



PRODUCT NAME
SM15 / Wall Hung WC Pan

STANDARD
TS 800 EN 997

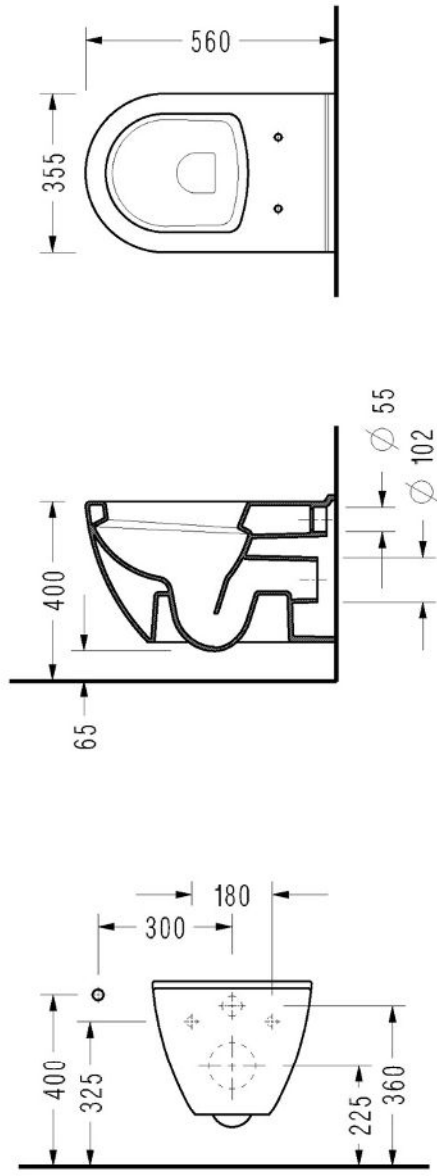
ASSEMBLY KIT

- 150400300187 / Built-in Lustration System (120mm.)
- 150400300250 / 3/8" Connection Adapter

SUITABLE SEAT COVER

- 2036001002 / SPIL SilentClose Duroplast Seat Cover
- 2236001002 / SPIL SilentClose Duroplast Seat Cover (anti-bacterial)
- 2006001002 / SPIL Duroplast Seat Cover
- 2206001002 / SPIL Duroplast Seat Cover (anti-bacterial)

WEIGHT
21.100 kg.



SMART

PRODUCT NAME

SM02 / BTW Close Coupled WC Pan

STANDARD

TS 800 EN 997

ASSEMBLY KIT

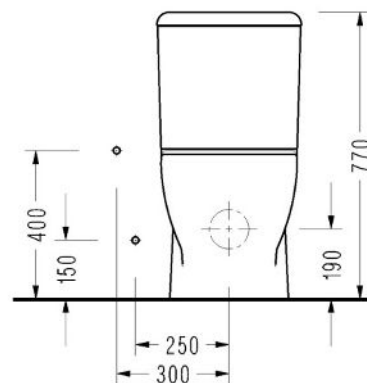
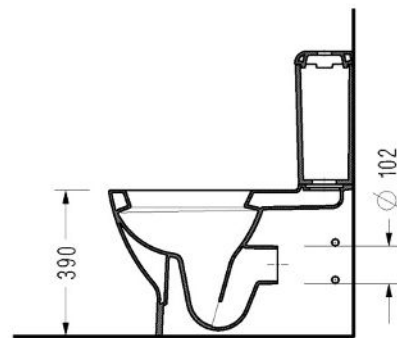
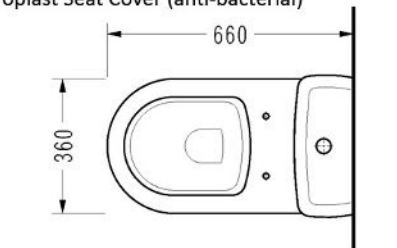
- 150400300217 / Assembly Set with Adjustable Strip (P type)
- 150400300057 / SEREL S-Elbow Pipe
- 150400300241 / Hidden Lustration System (285mm.)
- 150400300298 / Hidden Lustration (nearest of the ceramic surface) (260mm.)
- 150400300192 / 305mm. Bushed Extension Hose (3/8" Bushed Hose)
- 150400300056 / Closing Cap
- 150400300214 / 90° Connection Adapter
- 150400300052 / SEREL Straight Pipe

SUITABLE SEAT COVER

- 2036001002 / SPIL SilentClose Duroplast Seat Cover
- 2236001002 / SPIL SilentClose Duroplast Seat Cover (anti-bacterial)
- 2006001002 / SPIL Duroplast Seat Cover
- 2206001002 / SPIL Duroplast Seat Cover (anti-bacterial)

WEIGHT

31.440 kg.



PRODUCT NAME

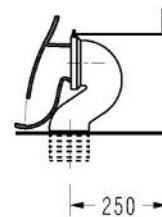
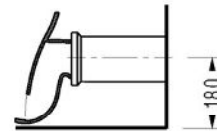
SM04 / Cistern

STANDARD

TS 823

WEIGHT

10.830 kg.



SMART

PRODUCT NAME

SM16 / Semi BTW Close Coupled WC Pan

STANDARD

TS 800 EN 997

ASSEMBLY KIT

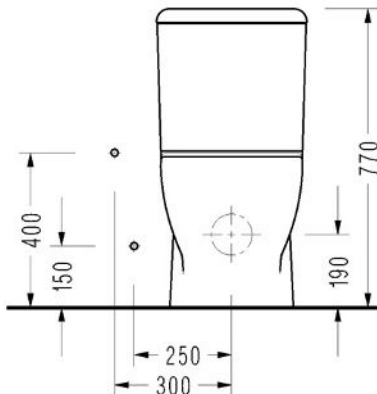
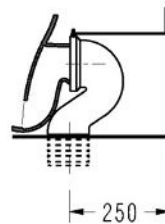
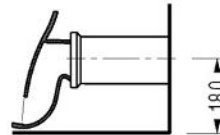
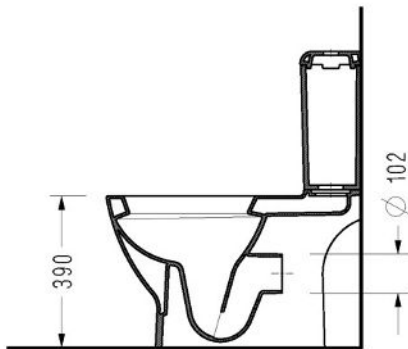
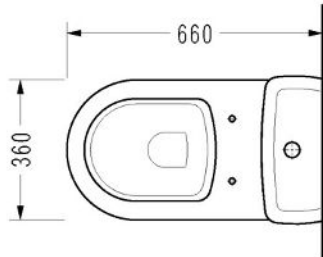
- 150400300217 / Assembly Set with Adjustable Strip
- 150400300057 / SEREL S-Elbow Pipe
- 150400300241 / Hidden Lustration System (285mm.)
- 150400300298 / Hidden Lustration (nearest of the ceramic surface) (260mm.)
- 150400300052 / SEREL Straight Pipe

SUITABLE SEAT COVER

- 2036001002 / SPIL SilentClose Duroplast Seat Cover
- 2236001002 / SPIL SilentClose Duroplast Seat Cover (anti-bacterial)
- 2006001002 / SPIL Duroplast Seat Cover
- 2206001002 / SPIL Duroplast Seat Cover (anti-bacterial)

WEIGHT

29.380 kg.



PRODUCT NAME

SM04 / Cistern

STANDARD

TS 823

WEIGHT

10.830 kg.

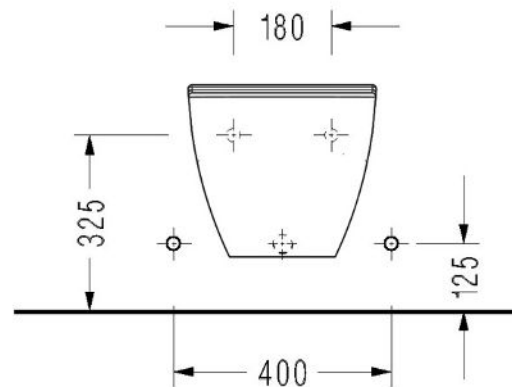
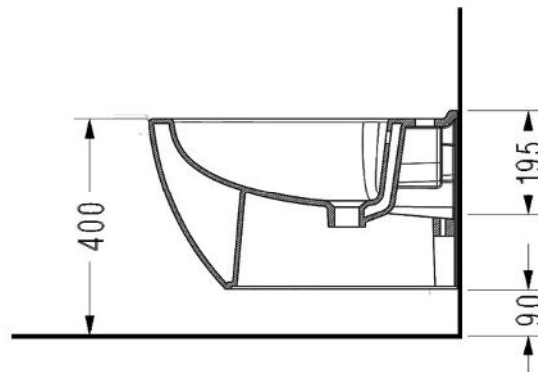
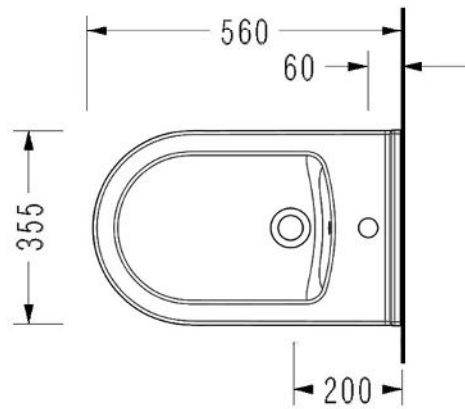
SMART

PRODUCT NAME
SM19 / Wall Hung Bidet

STANDARD
TS 2747

ASSEMBLY KIT
• 150400300017 / WC Pan, Bidet and Semi Pedestal Assembly Kit

WEIGHT
22.730 kg.





DIAGONAL

PRODUCT NAME
DG01 / Washbasin

STANDARD
TS EN 14688

ASSEMBLY KIT
 • 150400300177 / Washbasin Assembly Kit
 • 150400300043 / Minimal Assembly Kit
 • 150400300011 / Overflow Ring

SUITABLE PEDESTAL
 • DG05 / Full Pedestal
 • DG21 / Semi Pedestal

WEIGHT
14.450 kg.

PRODUCT NAME
DG05 / Full Pedestal

SUITABLE WASHBASIN
 • DG01 / Washbasin
 • DG30 / Washbasin
 • DG35 / Washbasin

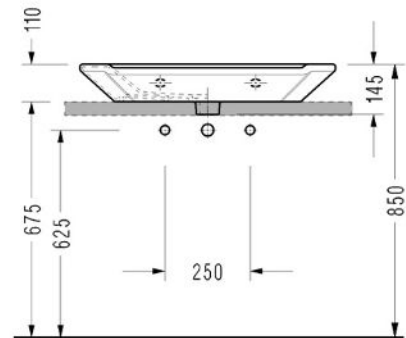
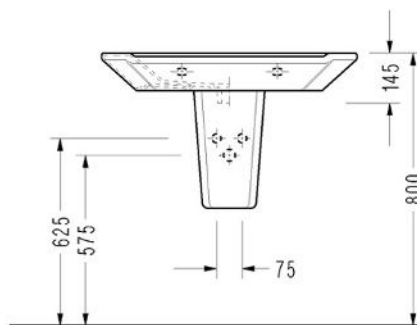
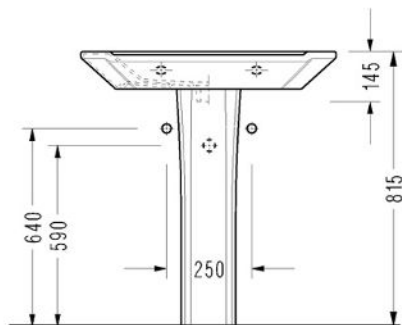
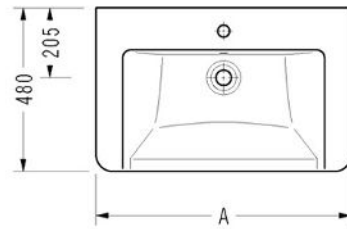
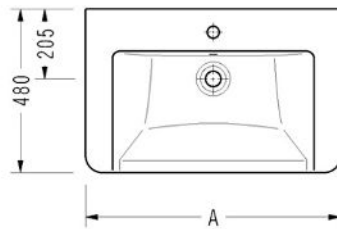
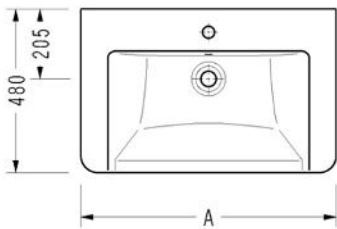
WEIGHT
11.220 kg.

PRODUCT NAME
DG21 / Semi Pedestal

ASSEMBLY KIT
 • 150400300082 / Spring Type Assembly Kit

SUITABLE WASHBASIN
 • DG01 / Washbasin
 • DG30 / Washbasin
 • DG35 / Washbasin

WEIGHT
8.300 kg.



	A
DG01	650
DG30	750
DG35	850

PS
640, 590, 625, 575 and 675 dimensions which at technical drawings are for using syphons w/o pop-up. These dimensions should be draw 30mm when using syphons with pop-up.

DIAGONAL

PRODUCT NAME
DG30 / Washbasin

STANDARD
TS EN 14688

ASSEMBLY KIT

- 150400300177 / Washbasin Assembly Kit
- 150400300043 / Minimal Assembly Kit (2pcs)
- 150400300011 / Overflow Ring

SUITABLE PEDESTAL

- DG05 / Full Pedestal
- DG21 / Semi Pedestal

WEIGHT
17.020 kg.



PRODUCT NAME
DG05 / Full Pedestal

SUITABLE WASHBASIN

- DG01 / Washbasin
- DG30 / Washbasin
- DG35 / Washbasin

WEIGHT
11.220 kg.



PRODUCT NAME
DG21 / Semi Pedestal

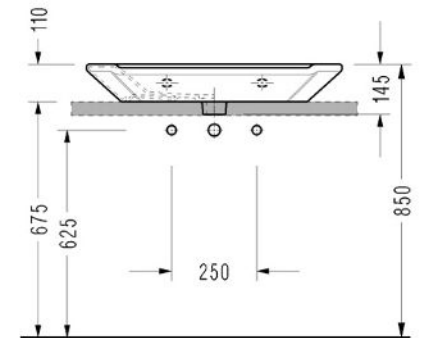
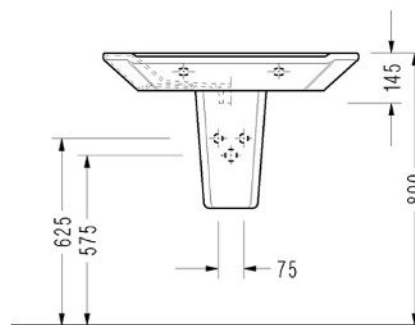
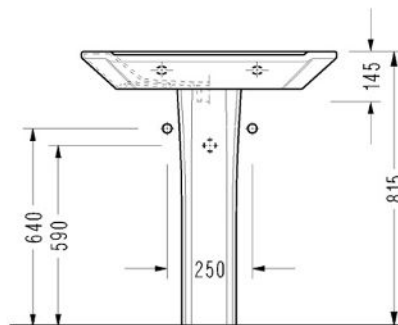
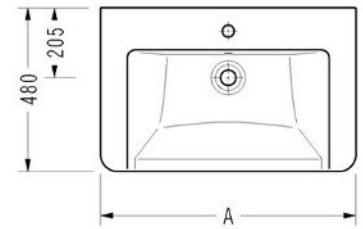
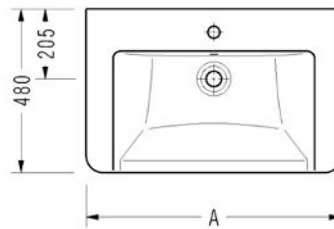
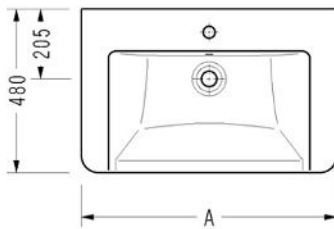
ASSEMBLY KIT

- 150400300082 / Spring Type Assembly Kit

SUITABLE WASHBASIN

- DG01 / Washbasin
- DG30 / Washbasin
- DG35 / Washbasin

WEIGHT
8.300 kg.



	A
DG01	650
DG30	750
DG35	850

PS

640, 590, 625, 575 and 675 dimensions which at technical drawings are for using syphons w/o pop-up. These dimensions should be draw 30mm when using syphons with pop-up.

DIAGONAL

PRODUCT NAME
DG35 / Washbasin

STANDARD
TS EN 14688

ASSEMBLY KIT
 • 150400300177 / Washbasin Assembly Kit
 • 150400300043 / Minimal Assembly Kit (2pcs)
 • 150400300011 / Overflow Ring

SUITABLE PEDESTAL
 • DG05 / Full Pedestal
 • DG21 / Semi Pedestal

WEIGHT
20.280 kg.



PRODUCT NAME
DG05 / Full Pedestal

SUITABLE WASHBASIN
 • DG01 / Washbasin
 • DG30 / Washbasin
 • DG35 / Washbasin

WEIGHT
11.220 kg.

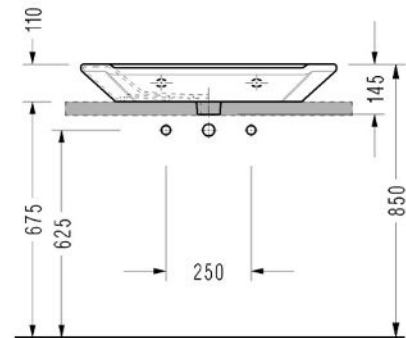
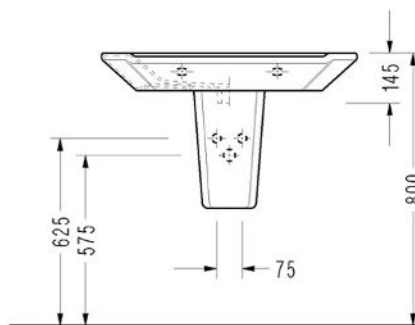
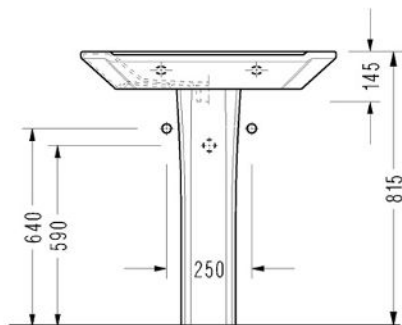
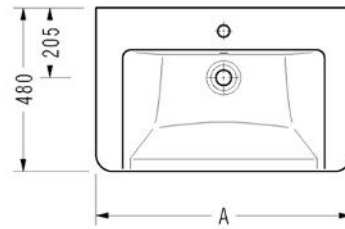
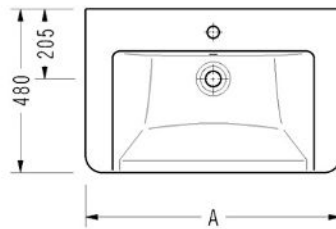
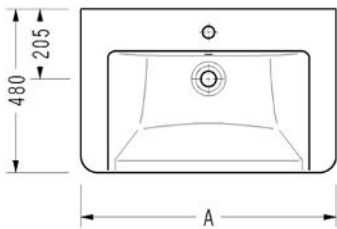


PRODUCT NAME
DG21 / Semi Pedestal

ASSEMBLY KIT
 • 150400300082 / Spring Type Assembly Kit

SUITABLE WASHBASIN
 • DG01 / Washbasin
 • DG30 / Washbasin
 • DG35 / Washbasin

WEIGHT
8.300 kg.



	A
DG01	650
DG30	750
DG35	850

PS
640, 590, 625, 575 and 675 dimensions which at technical drawings are for using syphons w/o pop-up.
These dimensions should be draw 30mm when using syphons with pop-up.

DIAGONAL



PRODUCT NAME

DG10 / Wall Hung WC Pan

STANDARD

TS 800 EN 997

ASSEMBLY KIT

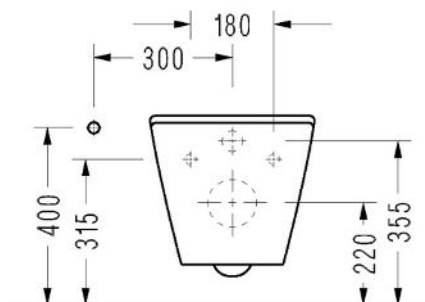
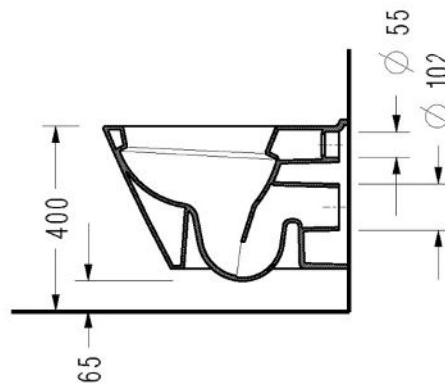
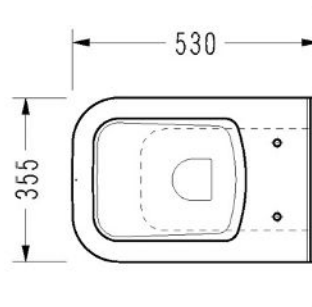
- 150400300195 / Hidden Lustration System (90mm.)
- 150400300173 / Built-in Lustration System (90mm.)
- 150400300250 / 430mm. Bushed Extension Hose (3/8" bushed hose) (for built-in lustration system)

SUITABLE SEAT COVER

- 2038900002 / VERDA SilentClose Duroplast Seat Cover
- 2238900002 / VERDA SilentClose Duroplast Seat Cover (anti-bacterial)
- 2008900002 / VERDA Duroplast Seat Cover
- 2208900002 / VERDA Duroplast Seat Cover (anti-bacterial)

WEIGHT

23.440 kg.



DIAGONAL

PRODUCT NAME

DG02 / BTW Close Coupled WC Pan

STANDARD

TS 800 EN 997

ASSEMBLY KIT

- 150400300217 / Assembly Set With Adjustable Strip
- 150400300057 / SEREL S-Trap Close Coupled WC Pan Assembly Set
- 150400300056 / Closing Cap
- 150400300214 / 90° Connection Adapter
- 150400300297 / BTW Hidden Lustration System (nearest of the ceramic surface) (255mm.)
- 150400300192 / 305mm. Bushed Extension Hose (3/8" bushed hose)
- 150400300202 / Hidden Lustration System (280mm.)
- 150400300052 / SEREL Straight Pipe

SUITABLE SEAT COVER

- 2038900002 / VERDA SilentClose Duroplast Seat Cover
- 2238900002 / VERDA SilentClose Duroplast Seat Cover (anti-bacterial)
- 2008900002 / VERDA Duroplast Seat Cover
- 2208900002 / VERDA Duroplast Seat Cover (anti-bacterial)

WEIGHT

30.000 kg.



PRODUCT NAME

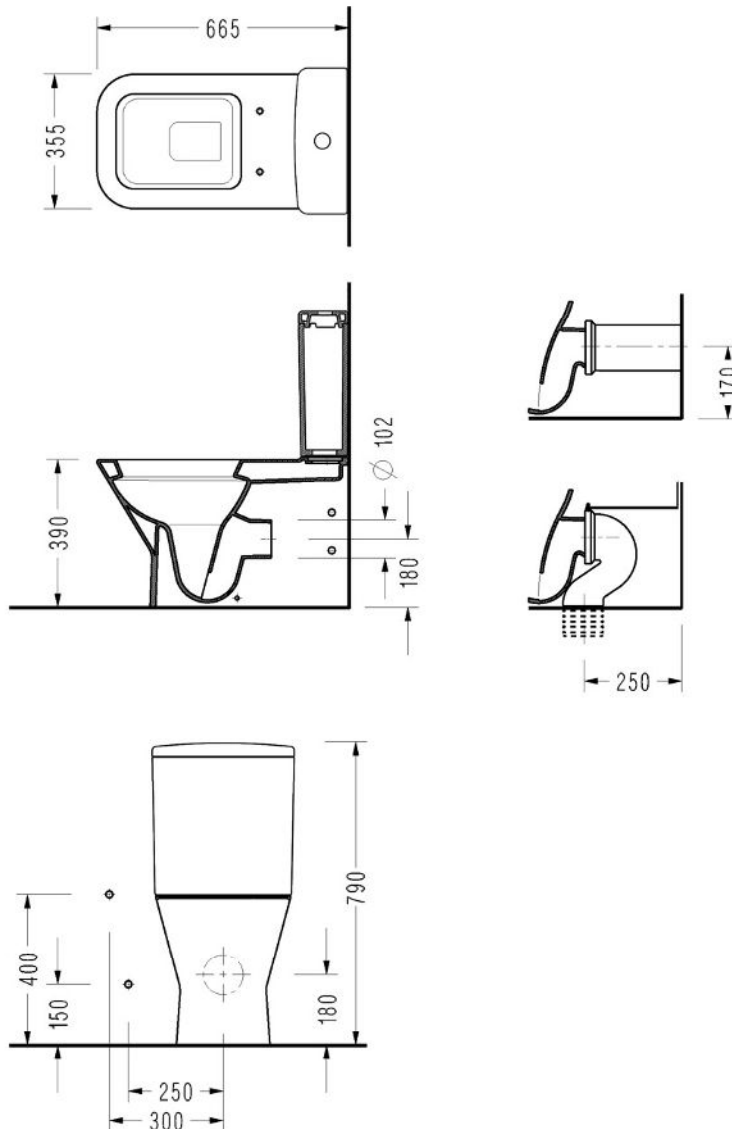
DG48 / Cistern

STANDARD

TS 823

WEIGHT

13.020 kg.



DIAGONAL

PRODUCT NAME

DG02 / BTW Close Coupled WC Pan

STANDARD

TS 800 EN 997

ASSEMBLY KIT

- 150400300217 / Assembly Set With Adjustable Strip
- 150400300057 / SEREL S-Trap Close Coupled WC Pan Assembly Set
- 150400300056 / Closing Cap
- 150400300214 / 90° Connection Adapter
- 150400300297 / BTW Hidden Lustration System (nearest of the ceramic surface) (255mm.)
- 150400300192 / 305mm. Bushed Extension Hose (3/8" bushed hose)
- 150400300202 / Hidden Lustration System (280mm.)
- 150400300052 / SEREL Straight Pipe

SUITABLE SEAT COVER

- 2038900002 / VERDA SilentClose Duroplast Seat Cover
- 2238900002 / VERDA SilentClose Duroplast Seat Cover (anti-bacterial)
- 2008900002 / VERDA Duroplast Seat Cover
- 2208900002 / VERDA Duroplast Seat Cover (anti-bacterial)

WEIGHT

30.000 kg.



PRODUCT NAME

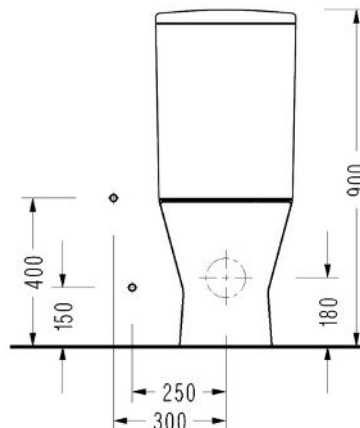
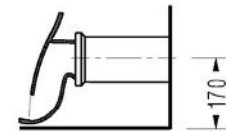
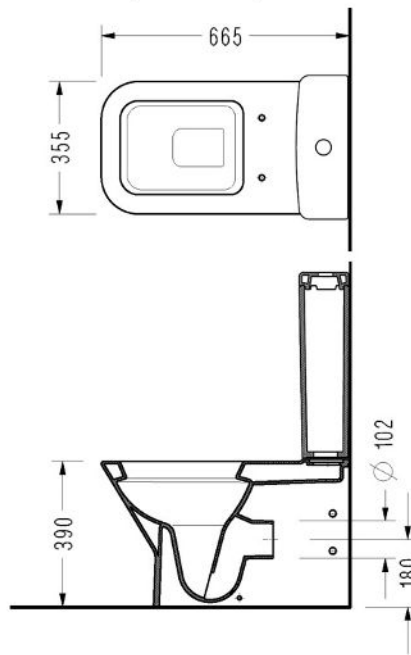
AD29 / Cistern

STANDARD

TS 823

WEIGHT

14.500 kg.



DIAGONAL

PRODUCT NAME

DG16 / Semi BTW Close Coupled WC Pan

STANDARD

TS 800 EN 997

ASSEMBLY KIT

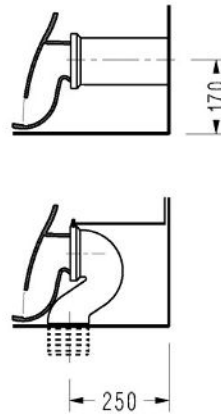
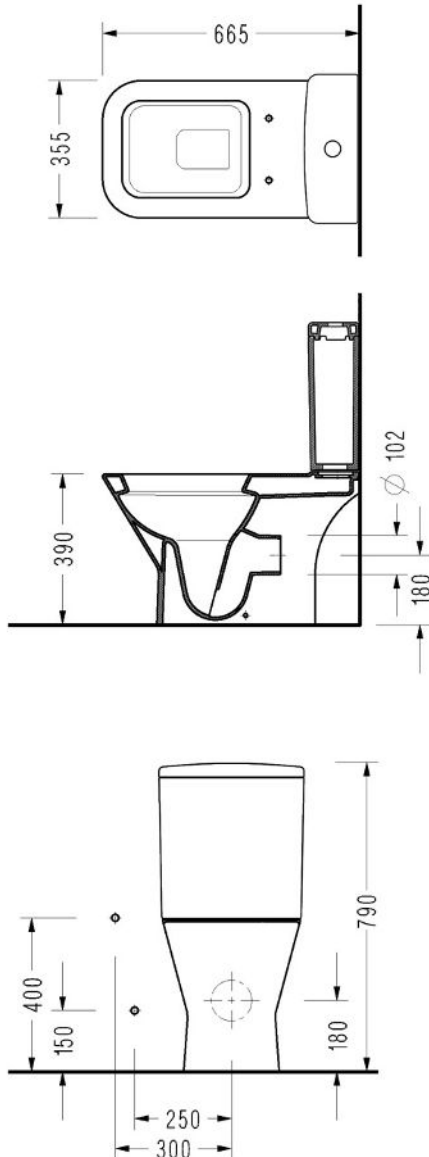
- 150400300217 / Assembly Set with Adjustable Strip
- 150400300057 / SEREL S-Trap Close Coupled WC Pan Assembly Set
- 150400300241 / BTW Hidden Lustration System (285mm.)
- 150400300297 / BTW Hidden Lustration Nearest to Ceramic Surface (260mm.)
- 150400300202 / Hidden Lustration System (280mm.)
- 150400300052 / SEREL Straight Pipe
- 150400300017 / WC Pan, Bidet, Semi Pedestal Assembly Kit

SUITABLE SEAT COVER

- 2038900002 / VERDA SilentClose Duroplast Seat Cover
- 2238900002 / VERDA SilentClose Duroplast Seat Cover (anti-bacterial)
- 2008900002 / VERDA Duroplast Seat Cover
- 2208900002 / VERDA Duroplast Seat Cover (anti-bacterial)

WEIGHT

28.550 kg.



PRODUCT NAME

DG48 / Cistern

STANDARD

TS 823

WEIGHT

13.020 kg.

DIAGONAL

PRODUCT NAME

DG16 / Semi BTW Close Coupled WC Pan

STANDARD

TS 800 EN 997

ASSEMBLY KIT

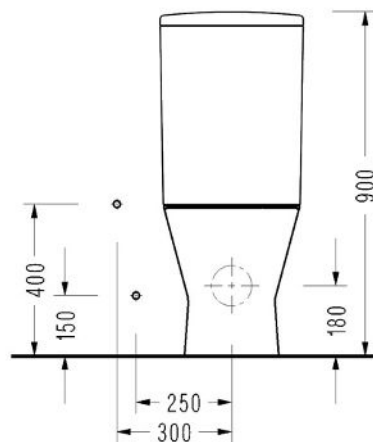
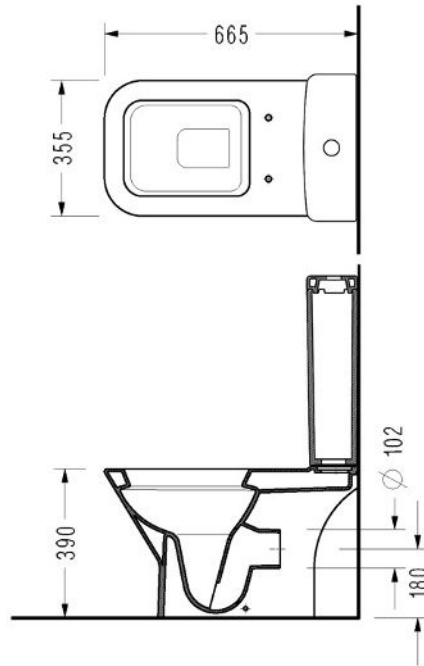
- 150400300217 / Assembly Set with Adjustable Strip
- 150400300057 / SEREL S-Trap Close Coupled WC Pan Assembly Set
- 150400300241 / BTW Hidden Lustration System (285mm.)
- 150400300297 / BTW Hidden Lustration Nearest to Ceramic Surface (260mm.)
- 150400300202 / Hidden Lustration System (280mm.)
- 150400300052 / SEREL Straight Pipe
- 150400300017 / WC Pan, Bidet and Semi Pedestal Assembly Kit

SUITABLE SEAT COVER

- 2038900002 / VERDA SilentClose Duroplast Seat Cover
- 2238900002 / VERDA SilentClose Duroplast Seat Cover (anti-bacterial)
- 2008900002 / VERDA Duroplast Seat Cover
- 2208900002 / VERDA Duroplast Seat Cover (anti-bacterial)

WEIGHT

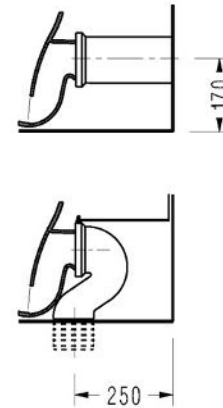
28.550 kg.



PRODUCT NAME
AD29 / Cistern

STANDARD
TS 823

WEIGHT
14.500 kg.



DIAGONAL

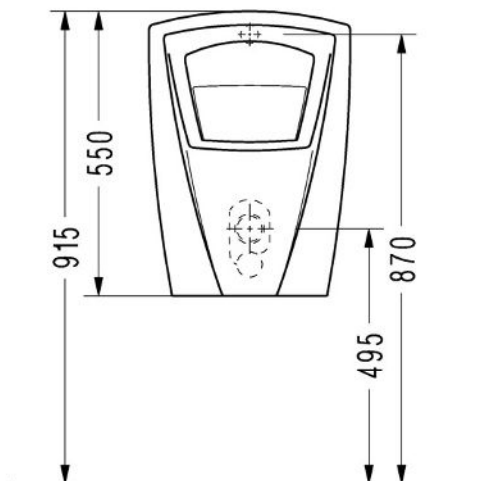
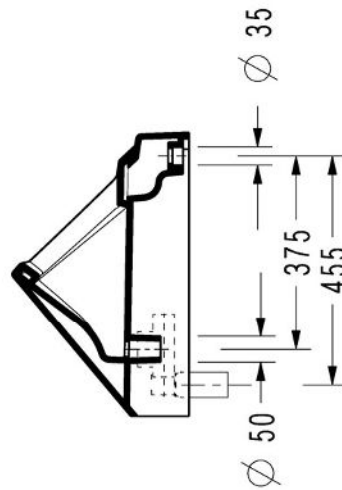
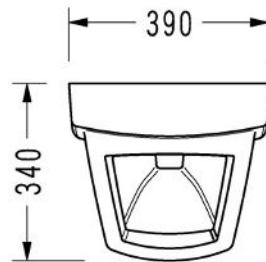
PRODUCT NAME
DG09 / Urinal

STANDARD
TS 2747

ASSEMBLY KIT

- 150400300217 / Assembly Set with Adjustable Strip
- 150400300079 / Horizontal Urinal Syphon (optional)
- 150400300080 / Vertical Urinal Syphon (optional)

WEIGHT
17.130 kg.





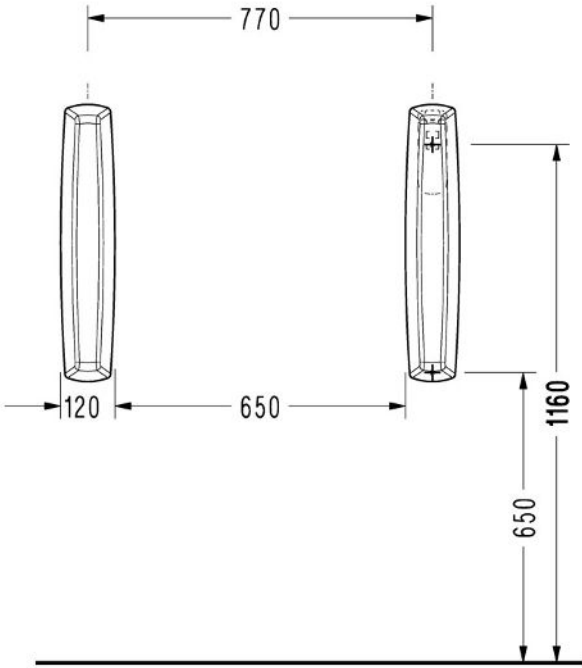
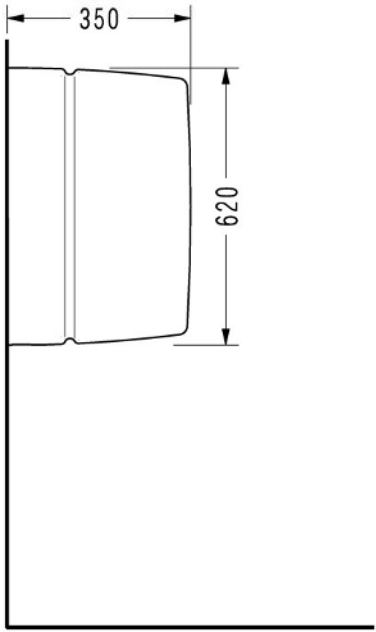
DIAGONAL

PRODUCT NAME
DG20 / Urinal Wall Separator

STANDARD
TS 2747

ASSEMBLY KIT
• 150400300303 / Urinal Wall Separator Assembly Kit (new)

WEIGHT
12.040 kg.



DAPHNE

PRODUCT NAME
DP10 / Wall Hung WC Pan

STANDARD
TS 800 EN 997

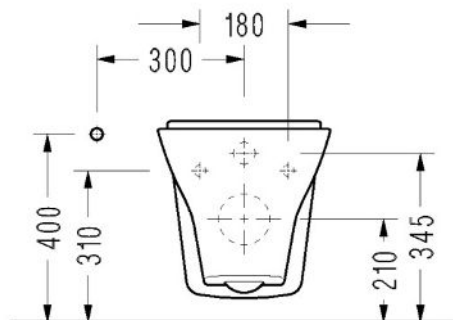
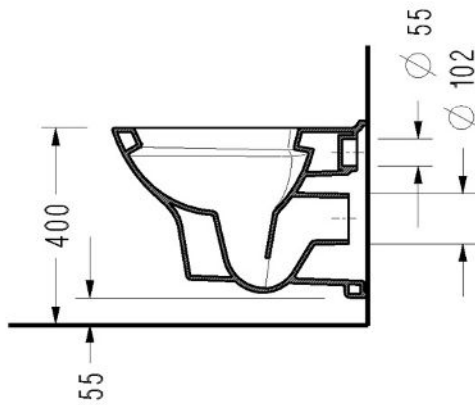
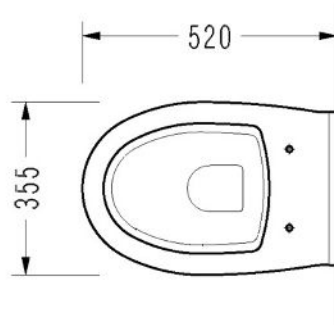
ASSEMBLY KIT

- 150400300195 / Hidden Lustration System (90mm.)
- 150400300250 / 3/8" Connection Adapter

SUITABLE SEAT COVER

- 2006601002 / PETUNYA Duroplast Seat Cover
- 2206601002 / PETUNYA Duroplast Seat Cover (anti-bacterial)

WEIGHT
19.200 kg.



DAPHNE

PRODUCT NAME

DP02 / BTW Close Coupled WC Pan

STANDARD

TS 800 EN 997

ASSEMBLY KIT

- 150400300081 / Hidden Lustration System (250mm.)
- 150400300057 / S-Trap Close Couple and Fixing Ring
- 150400300192 / 305mm. Bushed Extension Hose (3/8" bushed hose)
- 150400300056 / Closing Cap
- 150400300214 / 90° Connection Adapter
- 150400300217 / BIANCA Assembly Set with Adjustable Strip
- 150400300052 / SEREL Straight Pipe

SUITABLE SEAT COVER

- 2006601002 / PETUNYA Duroplast Seat Cover
- 2206601002 / PETUNYA Duroplast Seat Cover (anti-bacterial)

WEIGHT

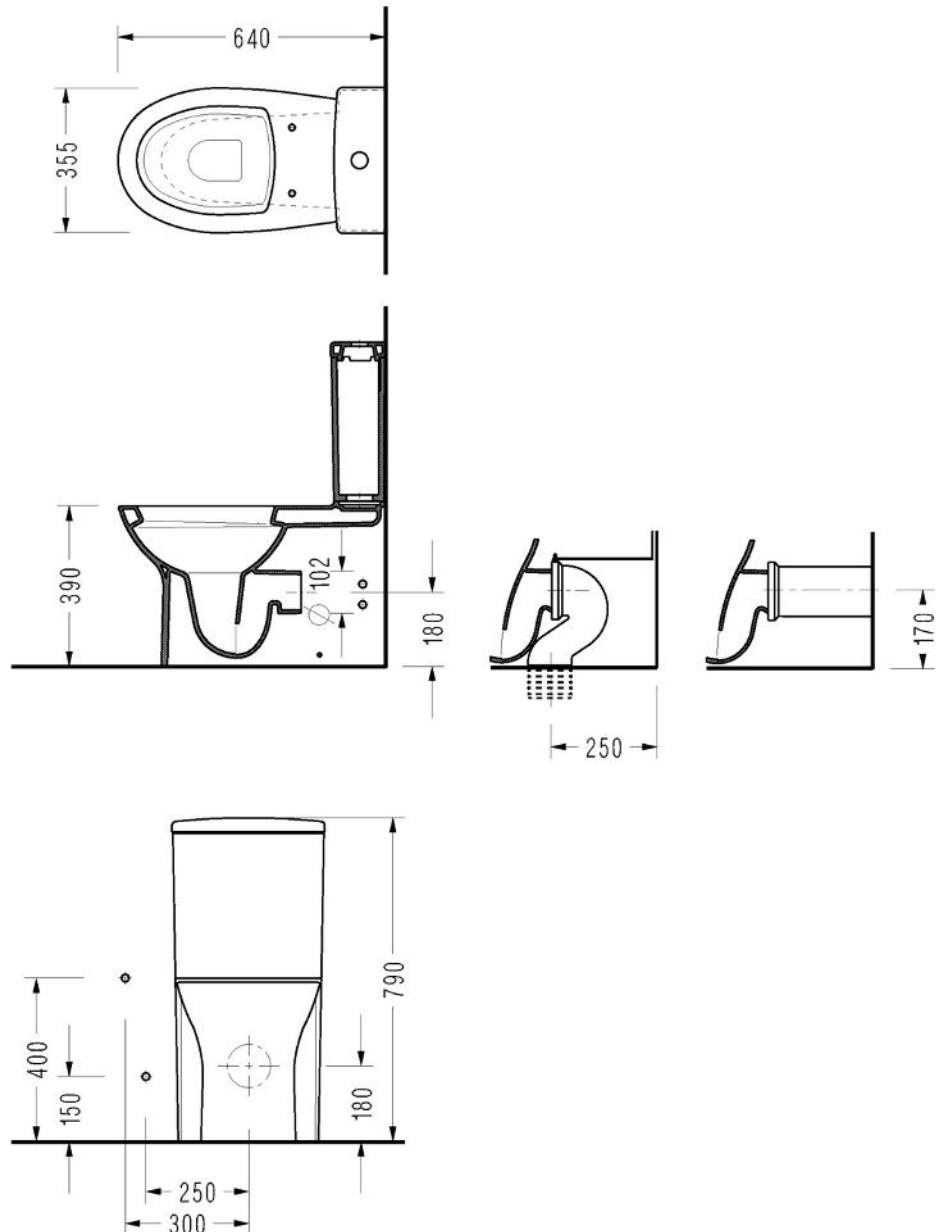
- 27.500 kg.



PRODUCT NAME
6748 / Cistern

STANDARD
TS 823

WEIGHT
13.020 kg.



DAPHNE

PRODUCT NAME

DP02 / BTW Close Coupled WC Pan

STANDARD

TS 800 EN 997

ASSEMBLY KIT

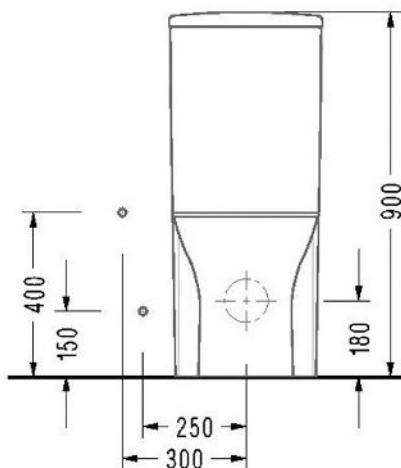
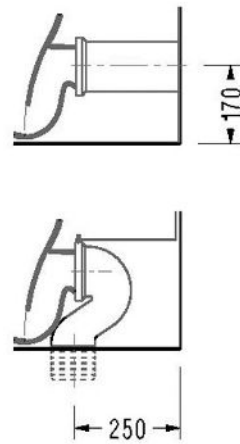
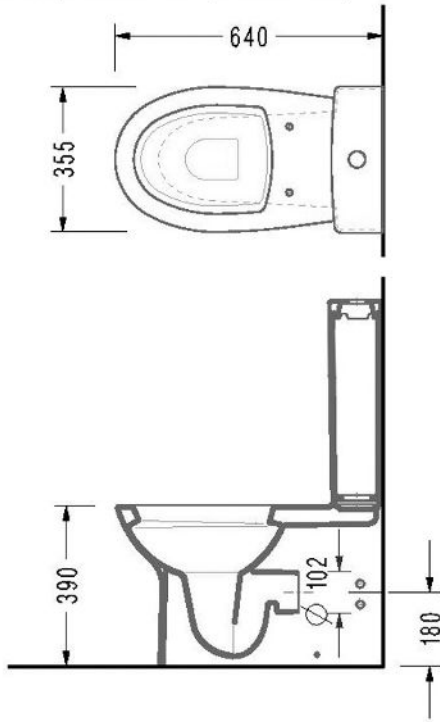
- 150400300081 / Hidden Lustration System (250mm.)
- 150400300057 / S-Trap Close Couple and Fixing Ring
- 150400300192 / 305mm. Bushed Extension Hose (3/8" bushed hose)
- 150400300056 / Closing Cap
- 150400300214 / 90° Connection Adapter
- 150400300217 / BIANCA Assembly Set with Adjustable Strip
- 150400300052 / SEREL Straight Pipe

SUITABLE SEAT COVER

- 2006601002 / PETUNYA Duroplast Seat Cover
- 2206601002 / PETUNYA Duroplast Seat Cover (anti-bacterial)

WEIGHT

- 27.500 kg.



PRODUCT NAME

AD29 / Cistern

STANDARD

TS 823

WEIGHT

14.500 kg.

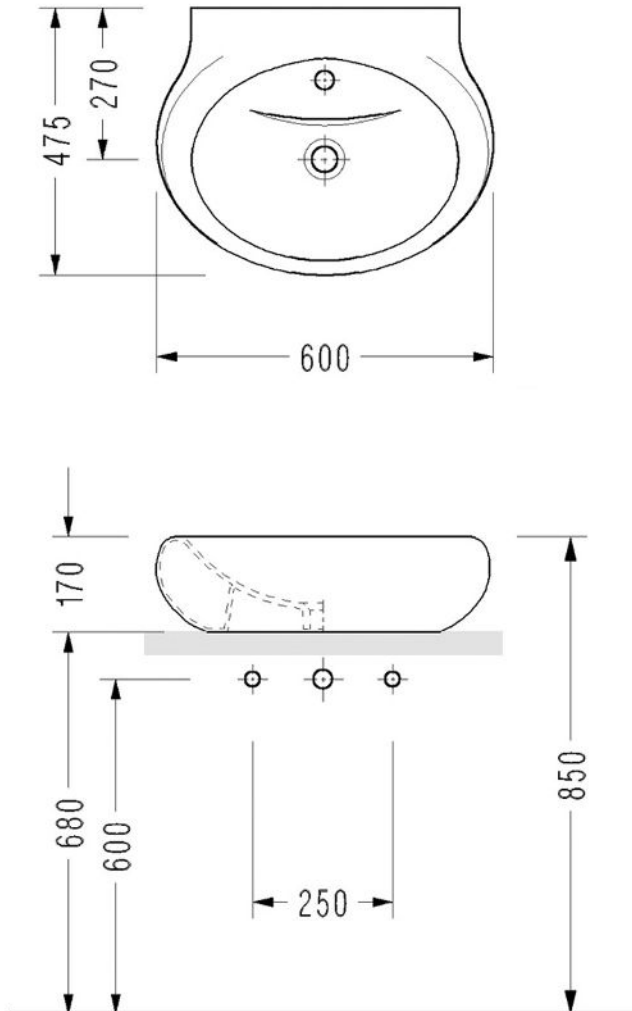
ORCA

PRODUCT NAME
7425 / Countertop Washbasin

STANDARD
TS EN 14688

- ASSEMBLY KIT
- 150400300011 / Overflow Ring
 - 150400300177 / Washbasin Assembly Kit
 - 150400300043 / Minimal Assembly Kit (3 pcs)

WEIGHT
13.840 kg.



PS
600 dimension which at technical drawings are for using syphons w/o pop-up.
This dimension should be draw 30mm when using syphons with pop-up.

ORCA

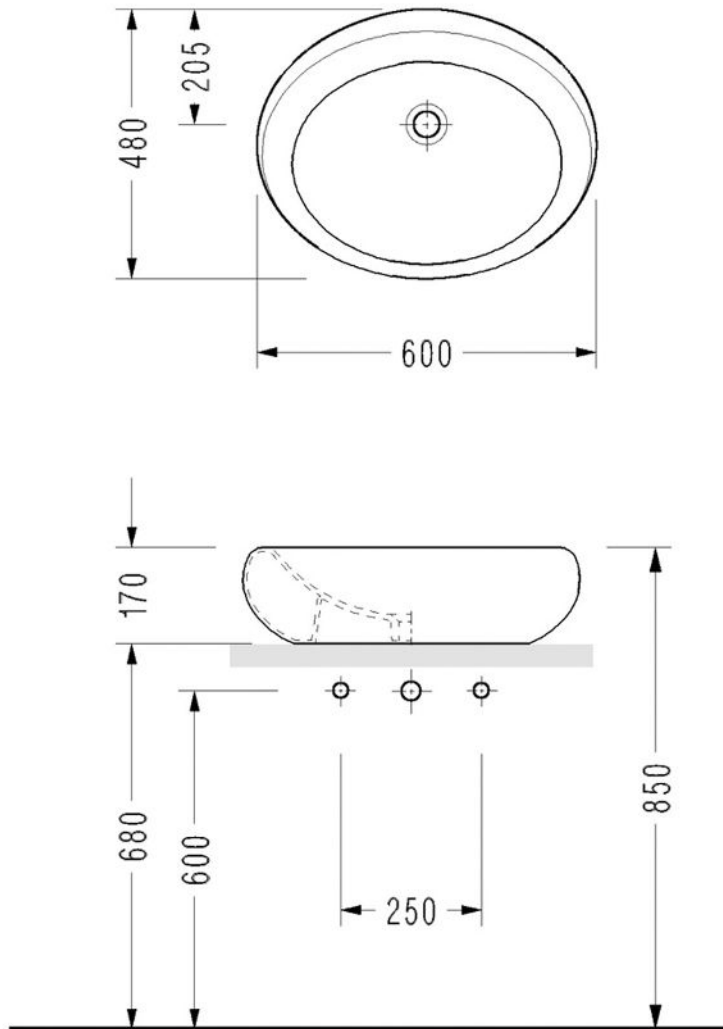
PRODUCT NAME
7433 / Countertop Washbasin

STANDARD
TS EN 14688

ASSEMBLY KIT

- 150400300011 / Overflow Ring
- 150400300043 / Minimal Assembly Kit (3 pcs)

WEIGHT
14.370 kg.



PS
600 dimension which at technical drawings are for using syphons w/o pop-up.
This dimension should be draw 30mm when using syphons with pop-up.

ORCA



PRODUCT NAME

7410 / Wall Hung WC Pan

STANDARD

TS 800 EN 997

ASSEMBLY KIT

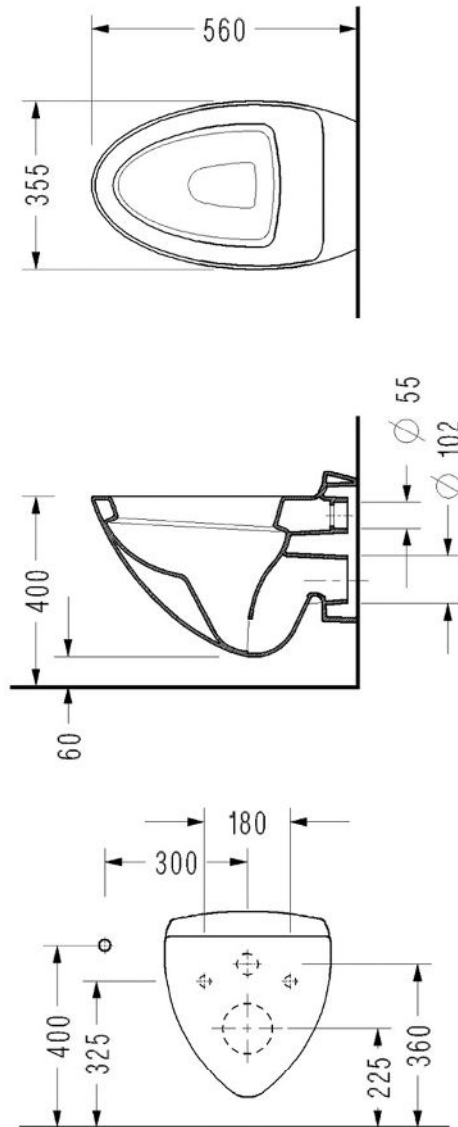
- 150400300110 / Hidden Lustration System (110mm.)
- 150400300290 / SEREL Assembly Adapter
- 150400300250 / 3/8" Connection Adapter

SUITABLE SEAT COVER

- 2037400002 / ORCA SilentClose Duroplast Seat Cover
- 2237400002 / ORCA SilentClose Duroplast Seat Cover (anti-bacterial)
- 2007400002 / ORCA Duroplast Seat Cover
- 2207400002 / ORCA Duroplast Seat Cover (anti-bacterial)

WEIGHT

22.540 kg.



ORCA

PRODUCT NAME

7402 / BTW Close Coupled WC Pan

STANDARD

TS 800 EN 997

ASSEMBLY KIT

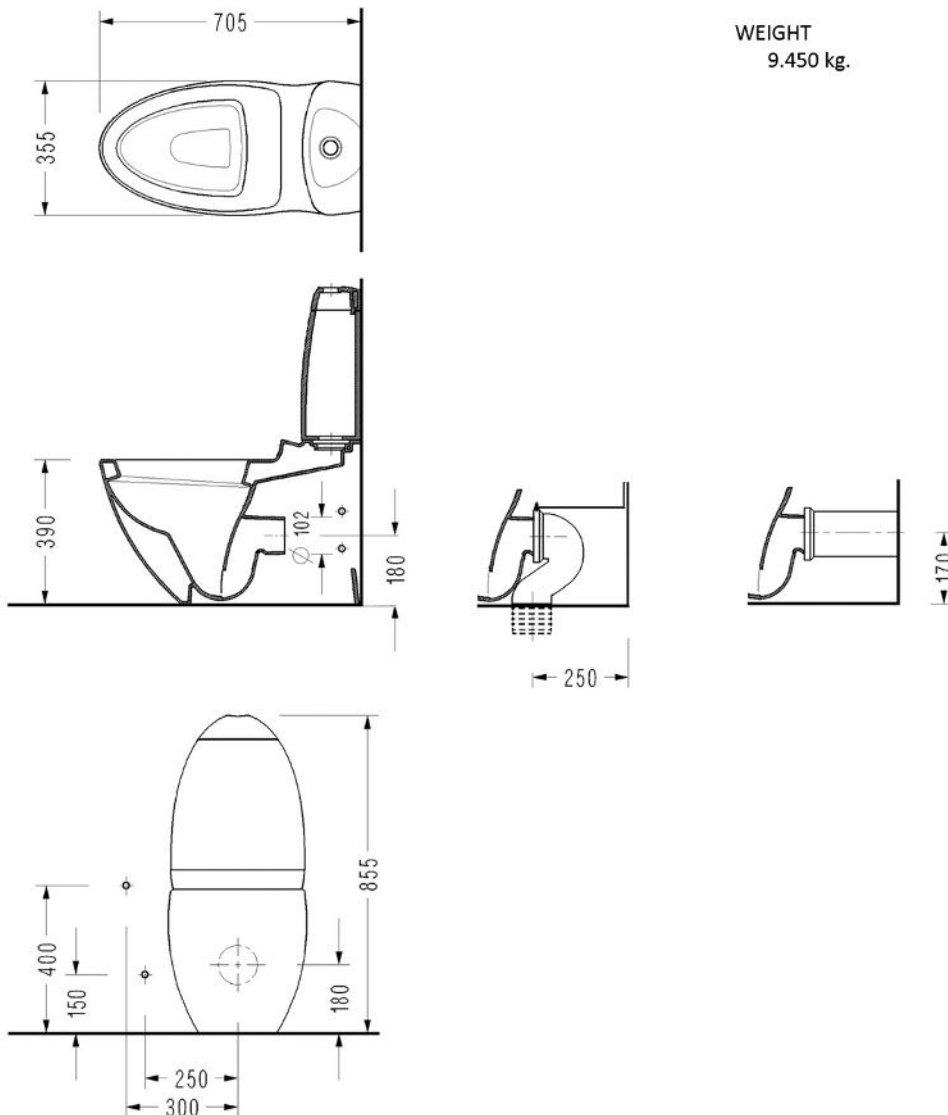
- 150400300102 / Assembly Set with Adjustable Strip
- 150400300057 / S-Elbow Pipe
- 150400300052 / Straight PVC Pipe (optional)
- 150400300034 / Water Inlet Gasket 90° (2 Pcs)
- 150400300056 / Closing Cap (2 Pcs)
- 150400300206 / ORCA Hidden Lustration System (310mm.)
- 150400300192 / 3/8" Flexible Hose (350mm.)

SUITABLE SEAT COVER

- 2037400002 / ORCA SilentClose Duroplast Seat Cover
- 2237400002 / ORCA SilentClose Duroplast Seat Cover (anti-bacterial)
- 2007400002 / ORCA Duroplast Seat Cover
- 2207400002 / ORCA Duroplast Seat Cover (anti-bacterial)

WEIGHT

32.120 kg.



PRODUCT NAME

7404 / Cistern

STANDARD

TS 823

CISTERN WATER ENTRY

Bottom

SUITABLE MECHANISM

- 102113047 / ECA
- 150400400079 / SEREL

ASSEMBLY KIT

- 150400300049 / Cistern Assembly Kit

WEIGHT

9.450 kg.

ORCA



PRODUCT NAME

7411 / BTW Single WC Pan

STANDARD

TS 800 EN 997

ASSEMBLY KIT

- 150400300110 / Hidden Lustration System (110mm.)
- 150400300102 / Assembly Set with Adjustable Strip
- 150400300057 / S-Elbow Pipe
- 150400300052 / Straight Pipe
- 150400300250 / 3/8" Connection Adapter

SUITABLE SEAT COVER

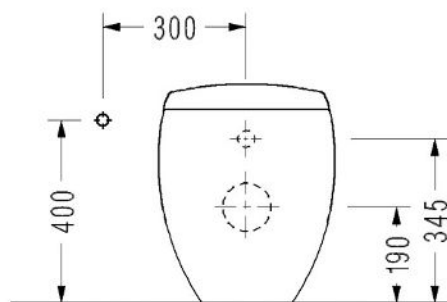
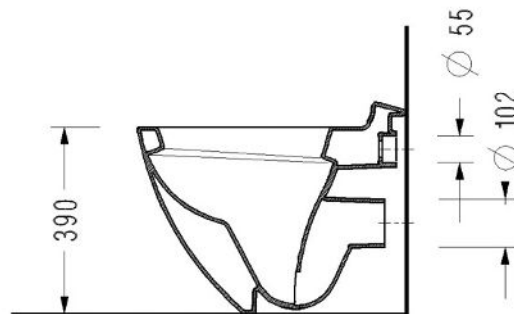
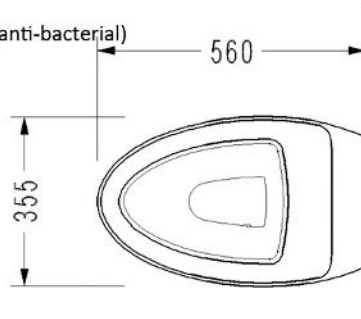
- 2037400002 / ORCA SilentClose Duroplast Seat Cover
- 2237400002 / ORCA SilentClose Duroplast Seat Cover (anti-bacterial)
- 2007400002 / ORCA Duroplast Seat Cover
- 2207400002 / ORCA Duroplast Seat Cover (anti-bacterial)

SUITABLE CISTERN

- 7446 / Monoblock Cistern

WEIGHT

24.850 kg.



ORCA

PRODUCT NAME

7446 / Monoblock Cistern

ASSEMBLY KIT

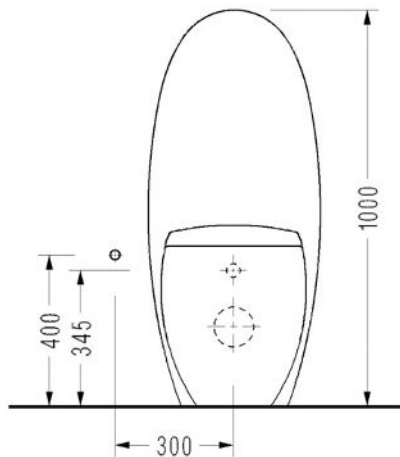
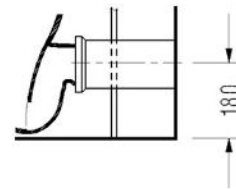
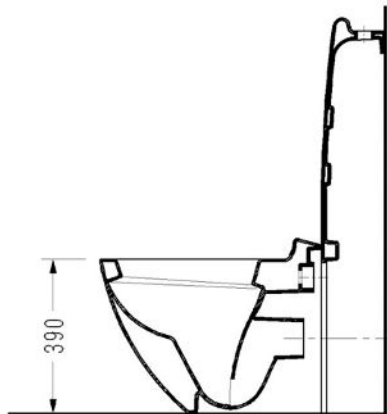
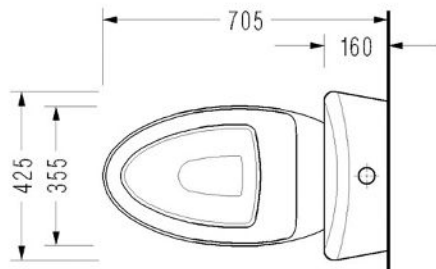
- 150400300225 / Monoblock Cistern Assembly Kit
- 150400400101 / 3/6 Lt. Plastic Tank&Flushing Mechanism Internal Kit

SUITABLE WC PAN

- 7411 / BTW Single WC Pan

WEIGHT

23.800 kg.



VERDA



PRODUCT NAME
8901 / Washbasin

STANDARD
TS EN 14688

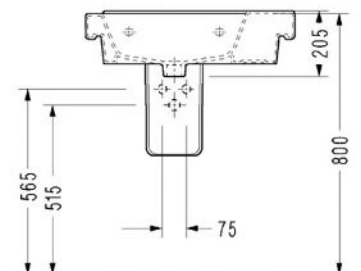
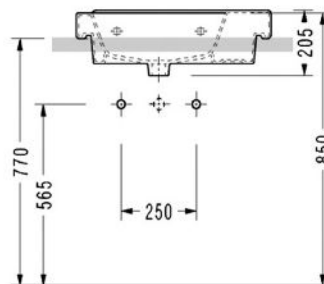
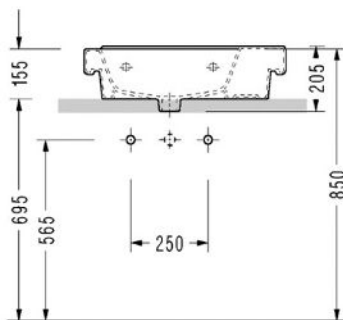
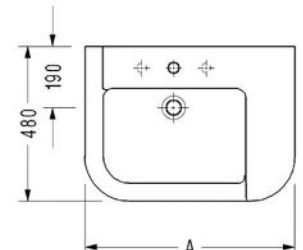
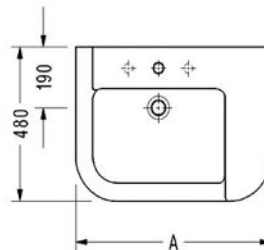
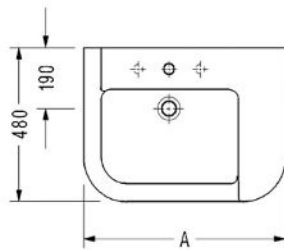
ASSEMBLY KIT

- 150400300177 / Washbasin Assembly Kit
- 150400300011 / Overflow Ring

SUITABLE WASHBASIN

- DE21 / Semi Pedestal

WEIGHT
18.780 kg.



	A
8901	650
8930	750
8935	850
8936	950

PS

565 and 515 dimensions which at technical drawings are for using syphons w/o pop-up. These dimensions should be draw 30mm when using syphons with pop-up.

VERDA



PRODUCT NAME
8930 / Washbasin

STANDARD
TS EN 14688

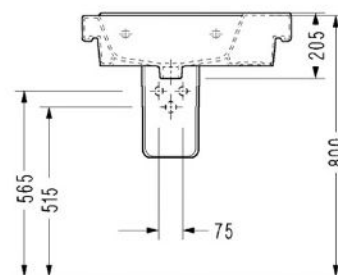
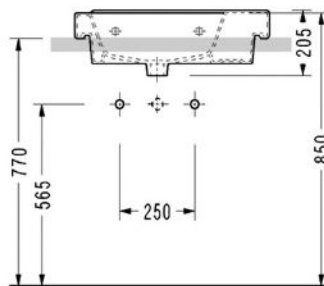
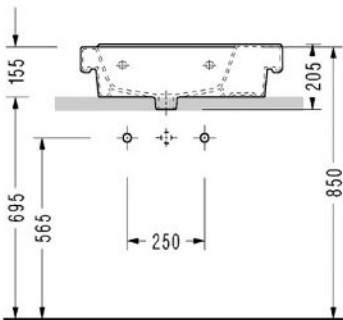
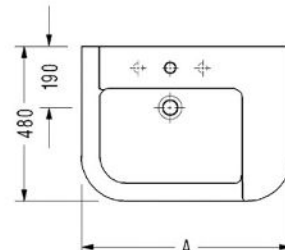
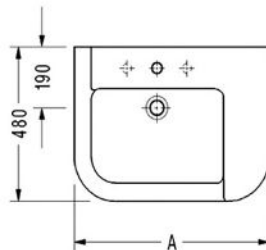
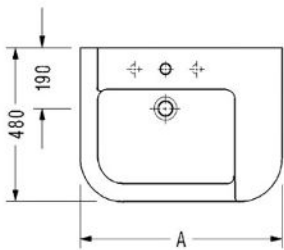
ASSEMBLY KIT

- 150400300177 / Washbasin Assembly Kit
- 150400300011 / Overflow Ring

SUITABLE PEDESTAL

- DE21 / Semi Pedestal

WEIGHT
21.600 kg.



	A
8901	650
8930	750
8935	850
8936	950

PS
565 and 515 dimensions which at technical drawings are for using syphons w/o pop-up. These dimensions should be draw 30mm when using syphons with pop-up.

VERDA



PRODUCT NAME
8935 / Washbasin

STANDARD
TS EN 14688

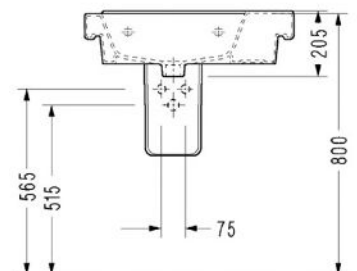
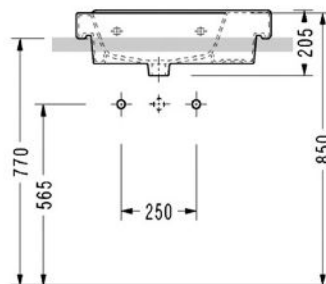
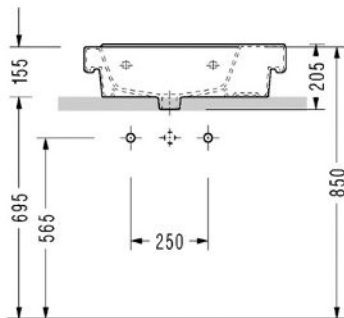
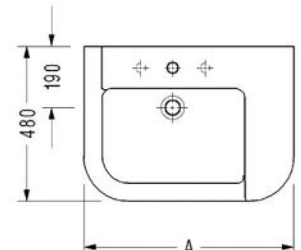
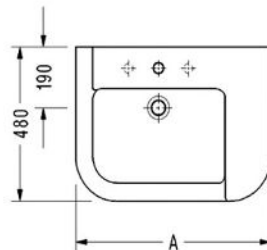
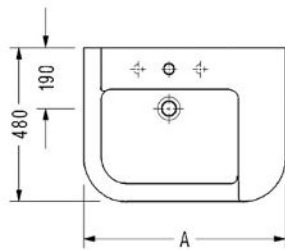
ASSEMBLY KIT

- 150400300177 / Washbasin Assembly Kit
- 150400300011 / Overflow Ring

SUITABLE PEDESTAL

- DE21 / Semi Pedestal

WEIGHT
23.200 kg.



	A
8901	650
8930	750
8935	850
8936	950

PS

565 and 515 dimensions which at technical drawings are for using syphons w/o pop-up. These dimensions should be draw 30mm when using syphons with pop-up.

VERDA

PRODUCT NAME
8936 / Washbasin

STANDARD
TS EN 14688

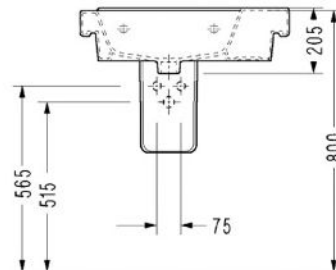
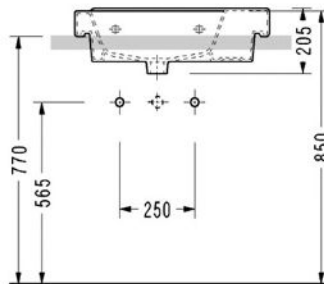
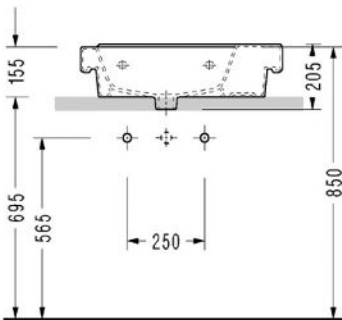
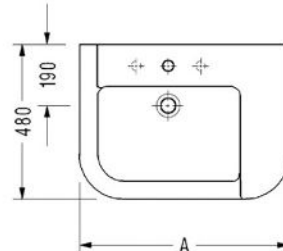
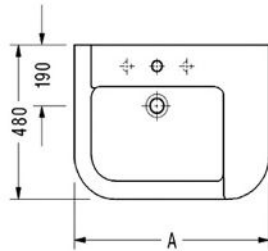
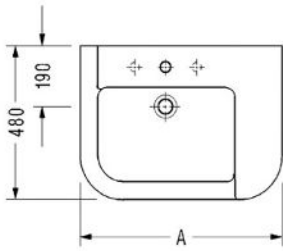
ASSEMBLY KIT

- 150400300177 / Washbasin Assembly Kit
- 150400300011 / Overflow Ring

SUITABLE PEDESTAL

- DE21 / Semi Pedestal

WEIGHT
27.440 kg.



	A
8901	650
8930	750
8935	850
8936	950

PS
565 and 515 dimensions which at technical drawings are for using syphons w/o pop-up. These dimensions should be draw 30mm when using syphons with pop-up.

VERDA

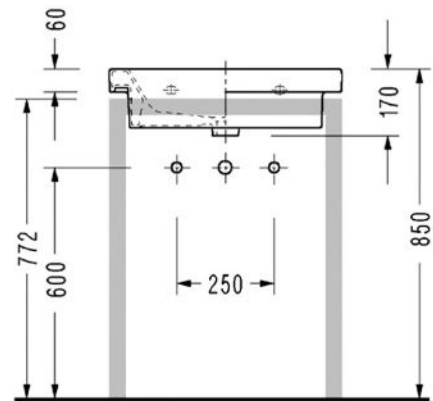
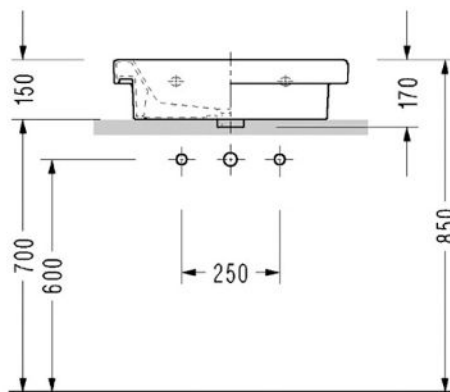
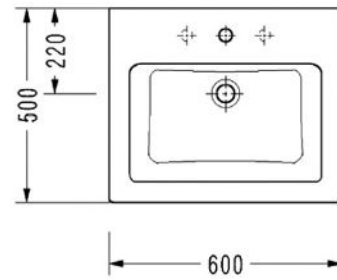
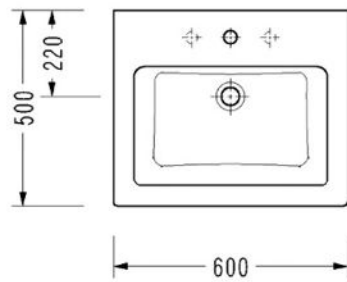
PRODUCT NAME
8942 / Washbasin

STANDARD
TS EN 14688

ASSEMBLY KIT

- 150400300177 / Washbasin Assembly Kit
- 150400300011 / Overflow Ring

WEIGHT
18.250 kg.



PS

600 dimension which at technical drawings are for using syphons w/o pop-up.
This dimension should be draw 30mm when using syphons with pop-up.

VERDA

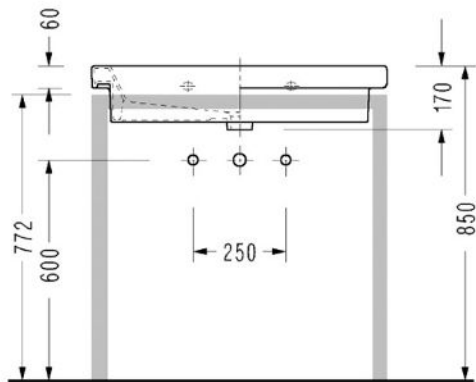
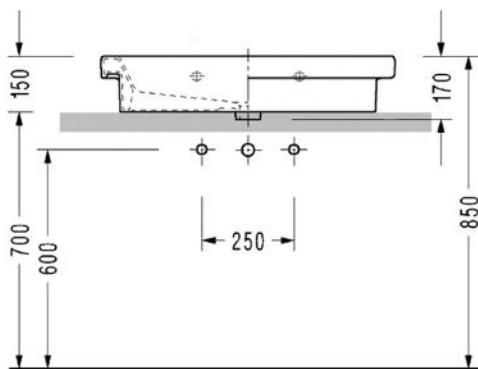
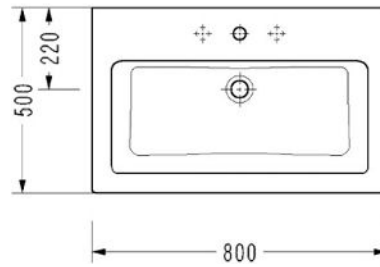
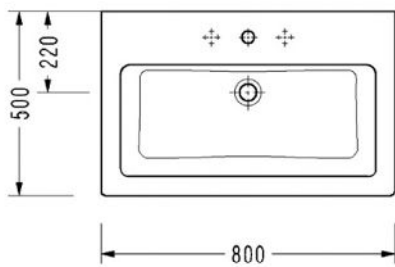
PRODUCT NAME
8943 / Washbasin

STANDARD
TS EN 14688

ASSEMBLY KIT

- 150400300177 / Washbasin Assembly Kit
- 150400300011 / Overflow Ring

WEIGHT
23.140 kg.



PS
600 dimension which at technical drawings are for using syphons w/o pop-up.
This dimension should be draw 30mm when using syphons with pop-up.

VERDA



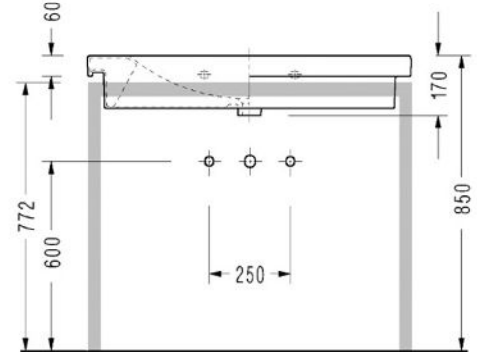
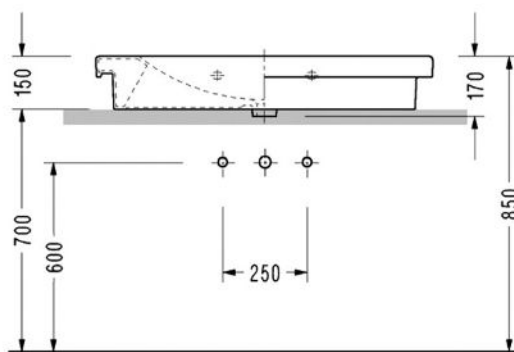
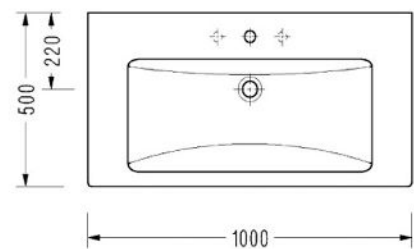
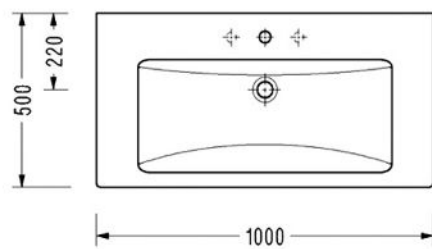
PRODUCT NAME
8940 / Washbasin

STANDARD
TS EN 14688

ASSEMBLY KIT

- 150400300177 / Washbasin Assembly Kit
- 150400300011 / Overflow Ring

WEIGHT
30.450 kg.



PS

600 dimension which at technical drawings are for using syphons w/o pop-up.
This dimension should be draw 30mm when using syphons with pop-up.

VERDA

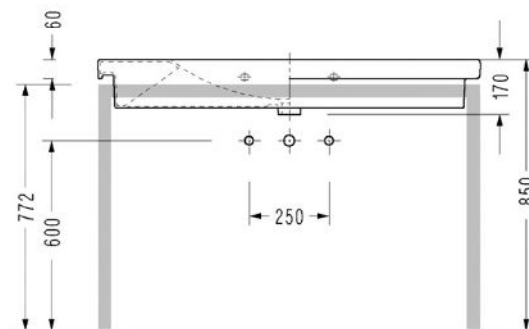
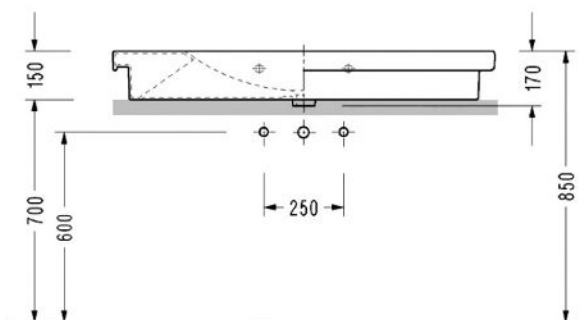
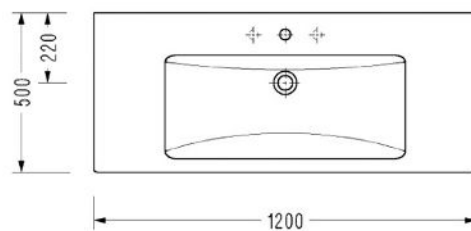
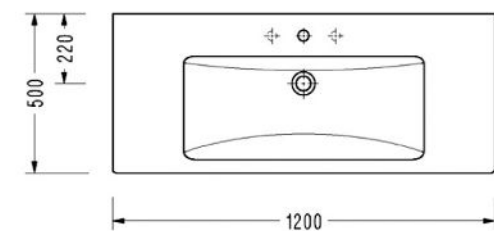
PRODUCT NAME
8941 / Washbasin

STANDARD
TS EN 14688

ASSEMBLY KIT

- 150400300177 / Washbasin Assembly Kit
- 150400300011 / Overflow Ring

WEIGHT
37.000 kg.



PS
600 dimension which at technical drawings are for using syphons w/o pop-up.
This dimension should be draw 30mm when using syphons with pop-up.

VERDA



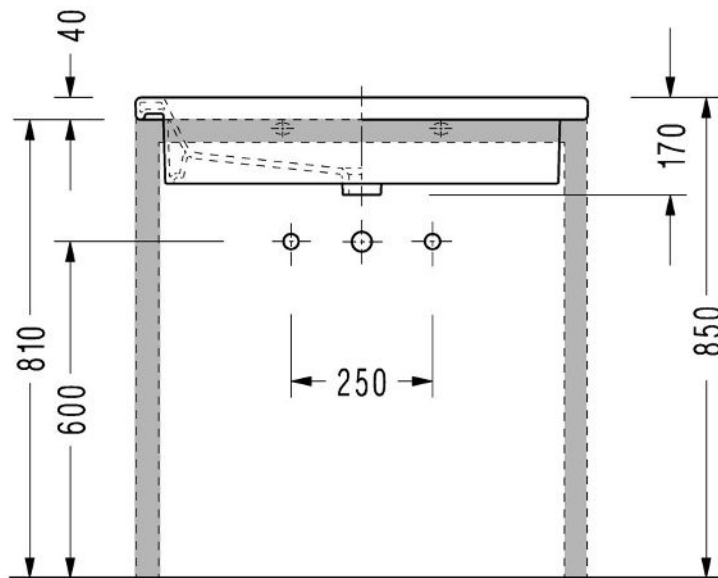
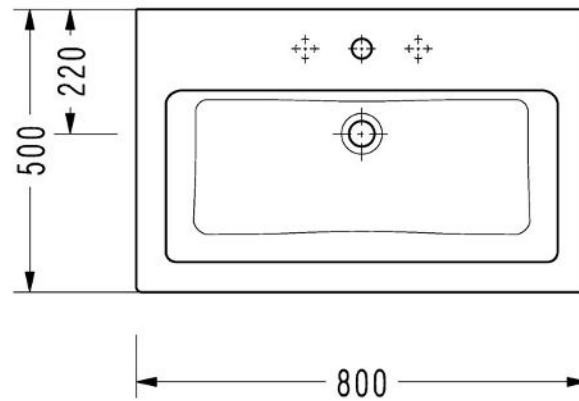
PRODUCT NAME
8931 / Washbasin

STANDARD
TS EN 14688

ASSEMBLY KIT

- 150400300177 / Washbasin Assembly Kit
- 150400300011 / Overflow Ring

WEIGHT
23.580 kg.



PS
600 dimension which at technical drawings are for using syphons w/o pop-up.
This dimension should be draw 30mm when using syphons with pop-up.

VERDA

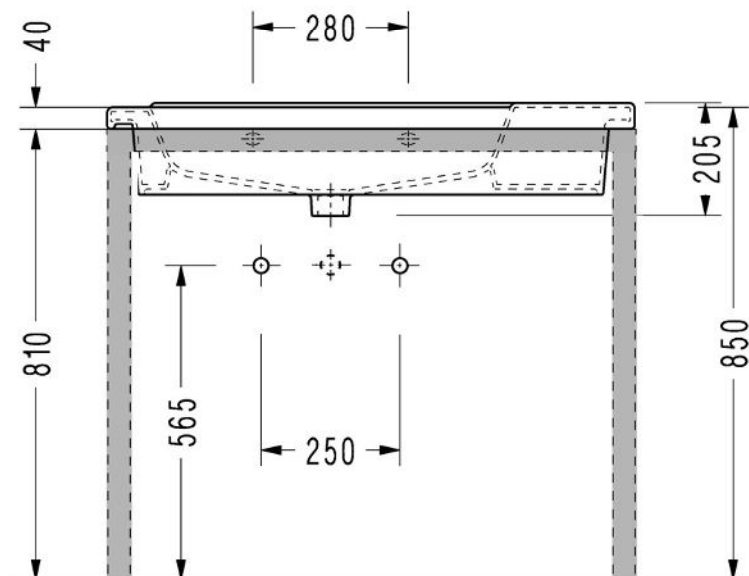
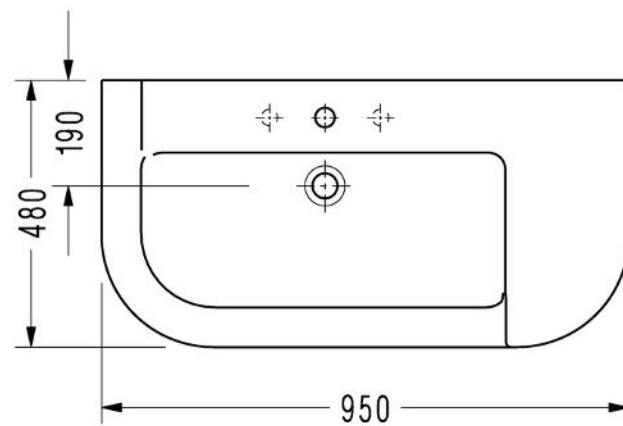
PRODUCT NAME
8934 / Washbasin

STANDARD
TS EN 14688

ASSEMBLY KIT

- 150400300177 / Washbasin Assembly Kit
- 150400300011 / Overflow Ring

WEIGHT
29.500 kg.



PS
565 dimension which at technical drawings are for using syphons w/o pop-up.
This dimension should be draw 30mm when using syphons with pop-up.

VERDA



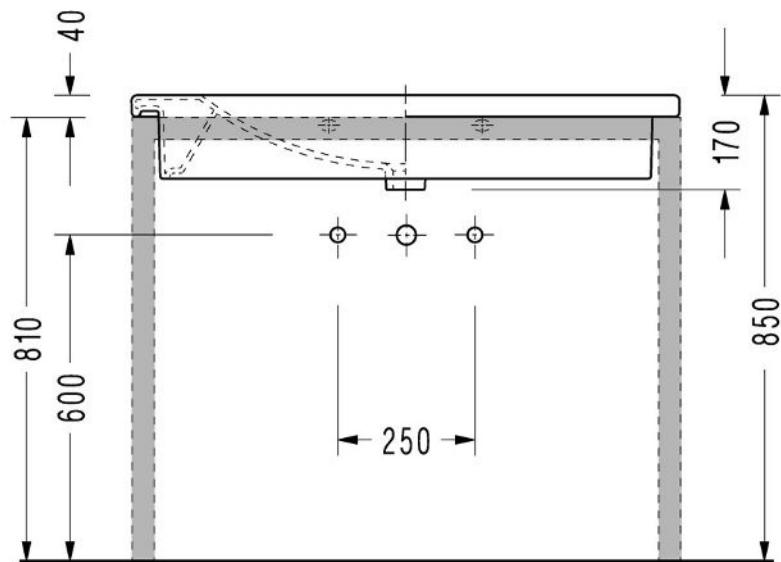
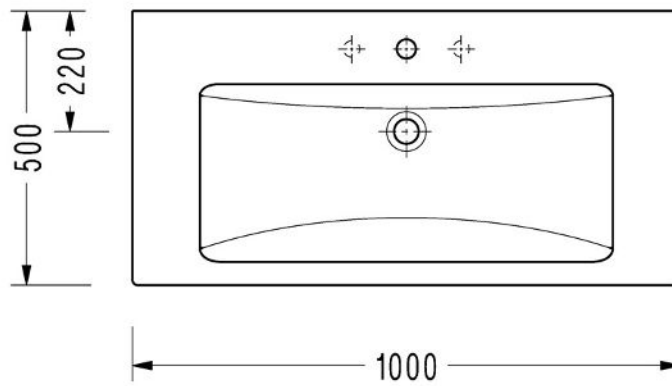
PRODUCT NAME
8944 / Washbasin

STANDARD
TS EN 14688

ASSEMBLY KIT

- 150400300177 / Washbasin Assembly Kit
- 150400300011 / Overflow Ring

WEIGHT
29.340 kg.



PS
600 dimension which at technical drawings are for using syphons w/o pop-up.
This dimension should be draw 30mm when using syphons with pop-up.

VERDA



PRODUCT NAME
8910 / Wall Hung WC Pan

STANDARD
TS 800 EN 997

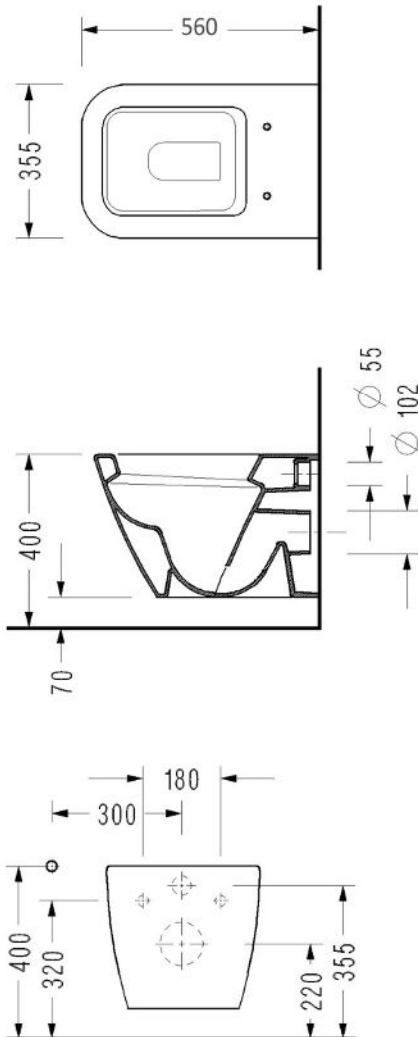
ASSEMBLY KIT

- 150400300187 / Hidden Lustration System (120mm.)
- 150400300290 / WC Pan Assembly Adapter
- 150400300250 / 3/8" Connection Adapter

SUITABLE SEAT COVER

- 2038900002 / VERDA SilentClose Duroplast Seat Cover
- 2238900002 / VERDA SilentClose Duroplast Seat Cover (anti-bacterial)
- 2008900002 / VERDA Duroplast Seat Cover
- 2208900002 / VERDA Duroplast Seat Cover (anti-bacterial)

WEIGHT
21.050 kg.



VERDA



PRODUCT NAME

8911 / BTW Single WC Pan

STANDARD

TS 800 EN 997

ASSEMBLY KIT

- 150400300187 / Built-in Lustration System
- 150400300102 / Assembly Set With Adjustable Strip
- 150400300057 / S-Elbow Pipe
- 150400300052 / Straight Pipe
- 150400300250 / 3/8" Connection Adapter

SUITABLE SEAT COVER

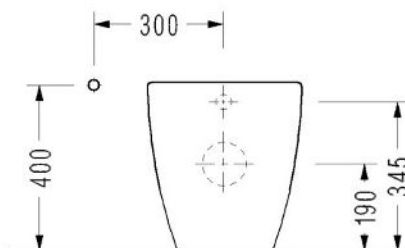
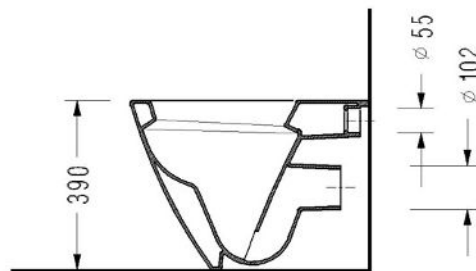
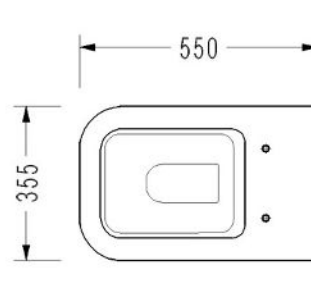
- 2038900002 / VERDA SilentClose Duroplast Seat Cover
- 2238900002 / VERDA SilentClose Duroplast Seat Cover (anti-bacterial)
- 2008900002 / VERDA Duroplast Seat Cover
- 2208900002 / VERDA Duroplast Seat Cover (anti-bacterial)

SUITABLE CISTERN

- 8949 / Monoblock Cistern

WEIGHT

29.430 kg.



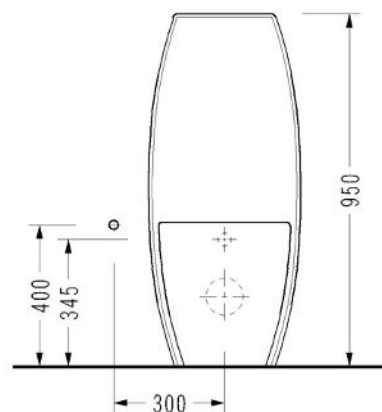
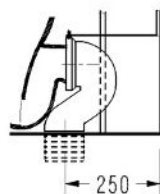
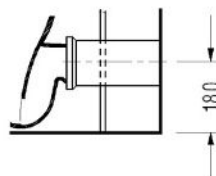
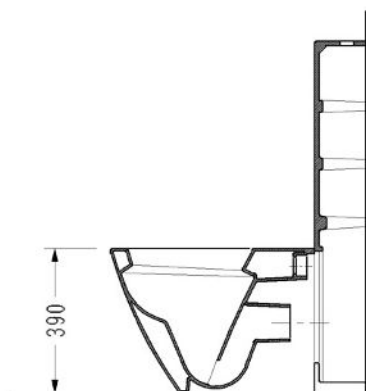
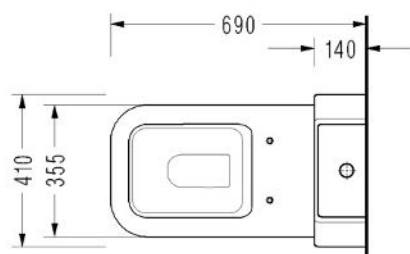
VERDA

PRODUCT NAME
8949 / Monoblock Cistern

ASSEMBLY KIT
• 150400300225 / Monoblock Cistern Assembly Kit
• 150400300101 / 3/6 Lt. Double Press Button Cistern Internal Kit

SUITABLE WC PAN
• 8911 / BTW Single WC Pan

WEIGHT
22.040 kg.



RENATA

PRODUCT NAME
RE01 / Washbasin

STANDARD
TS EN 14688

ASSEMBLY KIT

- 150400300177 / Washbasin Assembly Kit
- 150400300011 / Overflow Ring

SUITABLE PEDESTAL

- RE21 / Semi Pedestal

WEIGHT
16.650 kg.



PRODUCT NAME
RE21 / Semi Pedestal

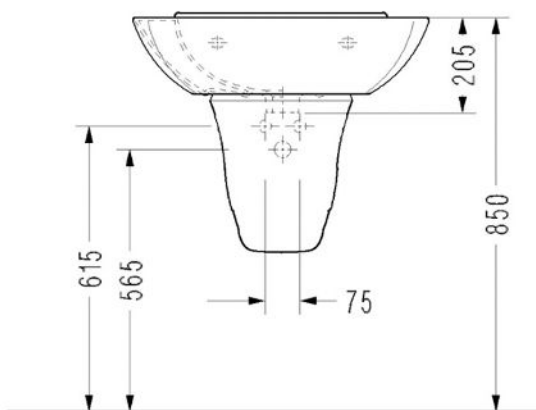
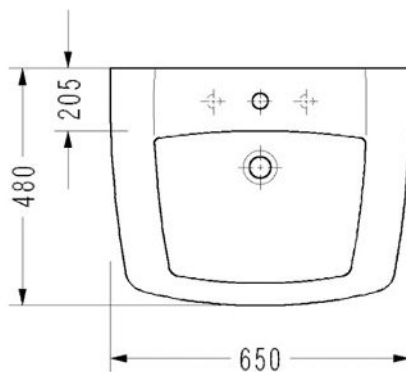
SUITABLE WASHBASIN

- RE01 / Washbasin

ASSEMBLY KIT

- 150400300082 / Spring Type Assembly Kit

WEIGHT
10.150 kg.



PS

615 and 565 dimensions which at technical drawings are for using syphons w/o pop-up. These dimensions should be draw 30mm when using syphons with pop-up.

RENATA



PRODUCT NAME
RE10 / Wall Hung WC Pan

STANDARD
TS 800 EN 997

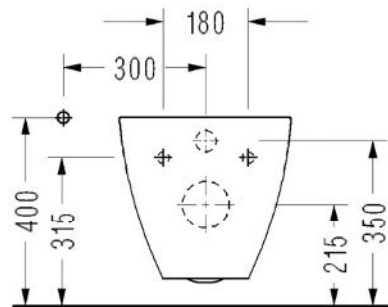
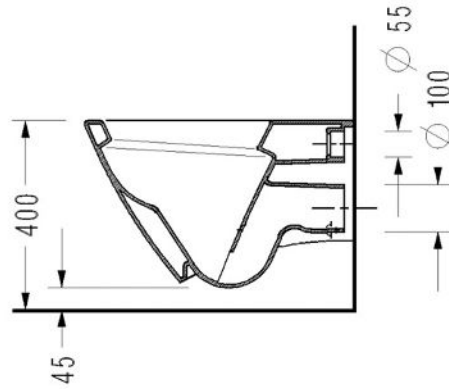
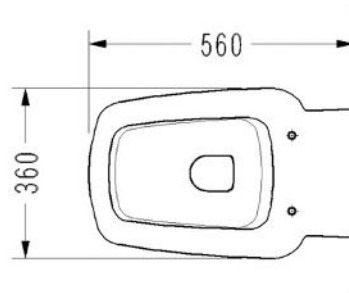
ASSEMBLY KIT

- 150400300186 / Hidden Lustration System (150mm.)
- 150400300290 / SEREL Wall Hung WC Pan Assembly Adapter
- 150400300250 / 3/8" Connection Adapter

SUITABLE SEAT COVER

- 2038500002 / RENATA SilentClose Duroplast Seat Cover
- 2238500002 / RENATA SilentClose Duroplast Seat Cover (anti-bacterial)
- 2008500002 / RENATA Duroplast Seat Cover
- 2208500002 / RENATA Duroplast Seat Cover (anti-bacterial)

WEIGHT
22.670 kg.



RENATA

PRODUCT NAME

RE02 / BTW Close Coupled WC Pan

STANDARD

TS 800 EN 997

ASSEMBLY KIT

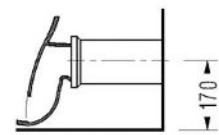
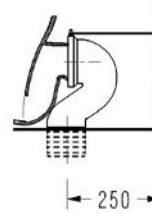
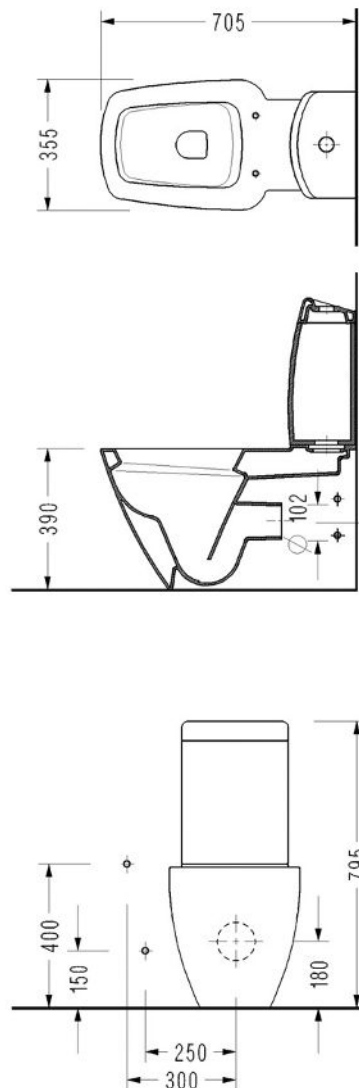
- 150400300102 / Assembly Set with Adjustable Strip
- 150400300057 / S-Elbow Pipe
- 150400300052 / Straight PVC Pipe (optional)
- 150400300078 / Bushed Extension Hose (2 Pcs)
- 150400300034 / Connection Adapter 90° (2 Pcs)
- 150400300056 / BTW WC Pan Closing Cap (2 Pcs)
- 150400300168 / RENATA Hidden Lustration System (320mm.)
- 150400300192 / 3/8" Flexible Hose (350mm.)

SUITABLE SEAT COVER

- 2038500002 / RENATA SilentClose Duroplast Seat Cover
- 2238500002 / RENATA SilentClose Duroplast Seat Cover (anti-bacterial)
- 2008500002 / RENATA Duroplast Seat Cover
- 2208500002 / RENATA Duroplast Seat Cover (anti-bacterial)

WEIGHT

29.810 kg.



PRODUCT NAME

RE04 / Cistern

STANDARD

TS 823

CISTERN WATER ENTRY

Bottom

SUITABLE INTERNAL KIT

- 102113047 / ECA
- 150400400079 / SEREL

ASSEMBLY KIT

- 150400300049 / Cistern Assembly Kit

WEIGHT

10.520 kg.



RENATA

PRODUCT NAME
RE11 / BTW Single WC Pan

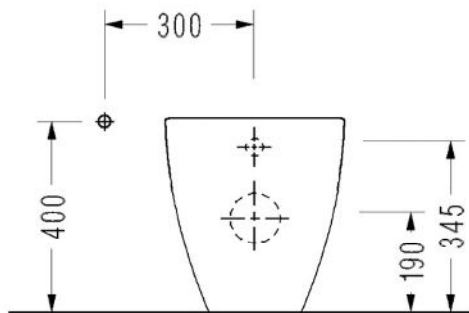
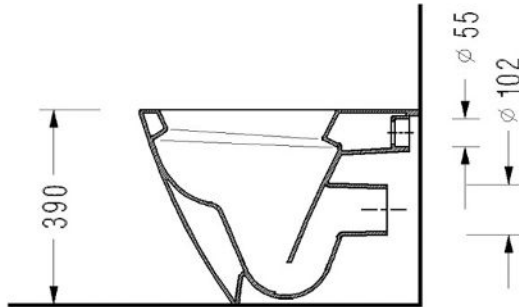
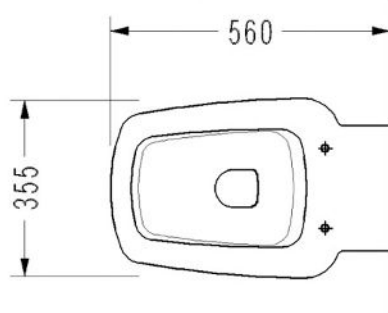
STANDARD
TS 800 EN 997

- ASSEMBLY KIT
- 150400300187 / Hidden Lustration System (120mm.)
 - 150400300035 / Eccentric Trap Adapter
 - 150400300102 / Hooked System Assembly Kit
 - 150400300052 / Straight Pipe
 - 150400300057 / S-Elbow Pipe
 - 150400300250 / 3/8" Connection Adapter

- SUITABLE SEAT COVER
- 2038500002 / RENATA SilentClose Duroplast Seat Cover
 - 2238500002 / RENATA SilentClose Duroplast Seat Cover (anti-bacterial)
 - 2008500002 / RENATA Duroplast Seat Cover
 - 2208500002 / RENATA Duroplast Seat Cover (anti-bacterial)

- SUITABLE CISTERN
- RE46 / Monoblock Cistern

WEIGHT
26.520 kg.



RENATA

PRODUCT NAME

RE46 / Monoblock Cistern

ASSEMBLY KIT

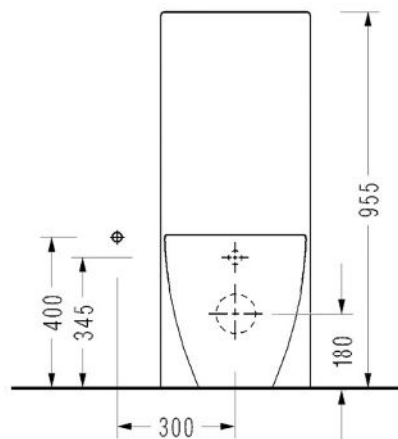
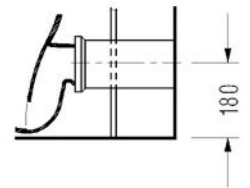
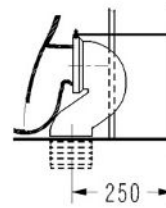
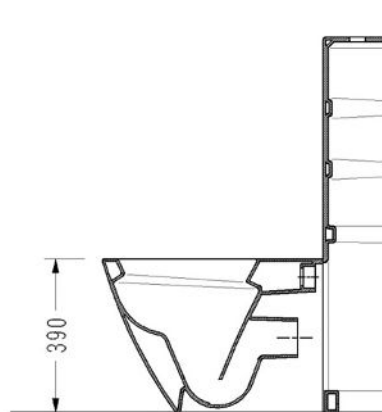
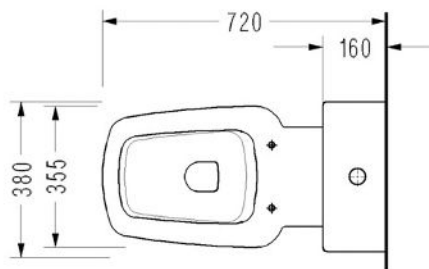
- 150400300225 / Monoblock Cistern Assembly Kit
- 150400300105 / Assembly Clamp
- 150400400101 / 3/6 Lt. Plastic Tank & Flushing Mechanism Internal Kit

SUITABLE WC PAN

- RE11 / BTW Single WC Pan

WEIGHT

20.500 kg.





PETUNYA

PRODUCT NAME
6442 / Washbasin

STANDARD
TS EN 14688

ASSEMBLY KIT
• 150400300177 / Washbasin Assembly Kit
• 150400300011 / Overflow Ring

SUITABLE PEDESTAL
• 6405 / Full Pedestal
• 6421 / Semi Pedestal

WEIGHT
12.300 kg.

PRODUCT NAME
6405 / Full Pedestal

SUITABLE WASHBASIN
• 6401 / Washbasin
• 6442 / Washbasin
• 6443 / Washbasin

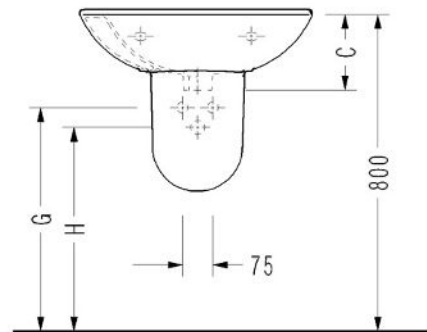
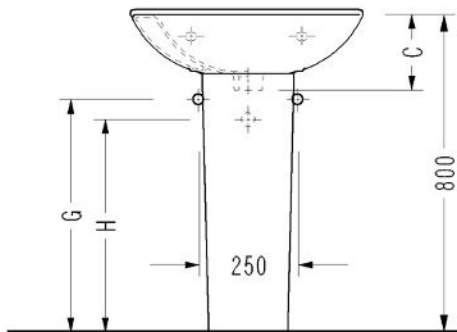
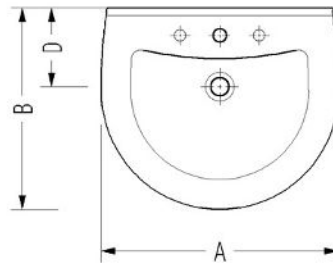
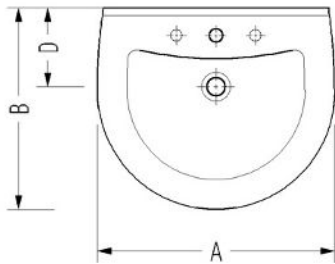
WEIGHT
11.720 kg.

PRODUCT NAME
6421 / Semi Pedestal

ASSEMBLY KIT
• 150400300082 / Spring Type Assembly Kit

SUITABLE WASHBASIN
• 6401 / Washbasin
• 6442 / Washbasin
• 6443 / Washbasin

WEIGHT
7.770 kg.



	A	B	C	D	G	H
6442	550	465	200	205	565	515
6401	600	510	205	200	565	515
6443	650	530	205	200	565	515

PS
G and H dimensions which at technical drawings are for using syphons w/o pop-up.
These dimensions should be draw 30mm when using syphons with pop-up.

PETUNYA



PRODUCT NAME
6401 / Washbasin

STANDARD
TS EN 14688

ASSEMBLY KIT

- 150400300177 / Washbasin Assembly Kit
- 150400300011 / Overflow Ring

SUITABLE PEDESTAL

- 6405 / Full Pedestal
- 6421 / Semi Pedestal

WEIGHT
9.910 kg.

PRODUCT NAME
6405 / Full Pedestal

SUITABLE WASHBASIN

- 6401 / Washbasin
- 6442 / Washbasin
- 6443 / Washbasin

WEIGHT
11.720 kg.

PRODUCT NAME
6421 / Semi Pedestal

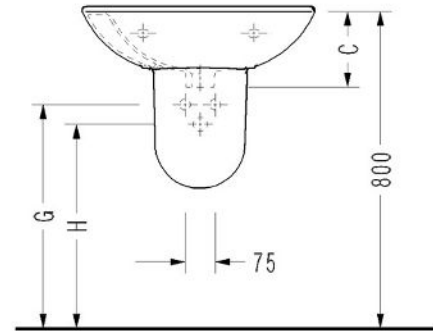
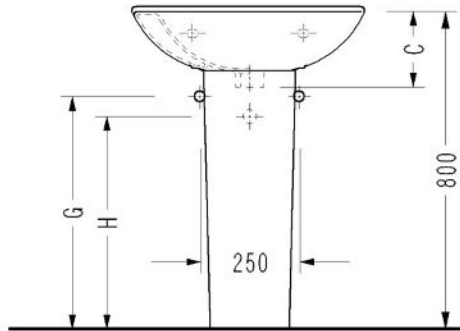
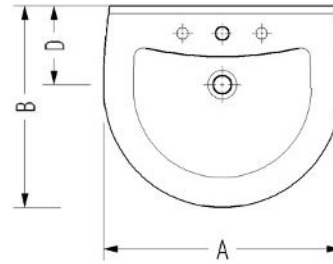
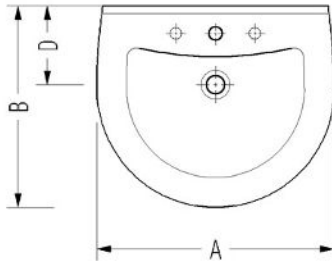
ASSEMBLY KIT

- 150400300082 / Spring Type Assembly Kit

SUITABLE WASHBASIN

- 6401 / Washbasin
- 6442 / Washbasin
- 6443 / Washbasin

WEIGHT
7.770 kg.



	A	B	C	D	G	H
6442	550	465	200	205	565	515
6401	600	510	205	200	565	515
6443	650	530	205	200	565	515

PS

G and H dimensions which at technical drawings are for using syphons w/o pop-up. These dimensions should be draw 30mm when using syphons with pop-up.



PETUNYA

PRODUCT NAME
6443 / Washbasin

STANDARD
TS EN 14688

ASSEMBLY KIT
• 150400300177 / Washbasin Assembly Kit
• 150400300011 / Overflow Ring

SUITABLE PEDESTAL
• 6405 / Full Pedestal
• 6421 / Semi Pedestal

WEIGHT
14.040 kg.

PRODUCT NAME
6405 / Full Pedestal

SUITABLE WASHBASIN
• 6401 / Washbasin
• 6442 / Washbasin
• 6443 / Washbasin

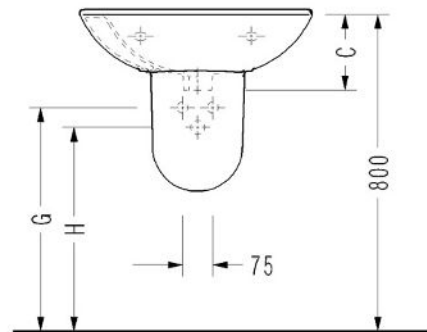
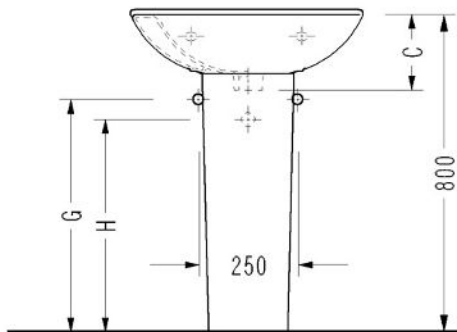
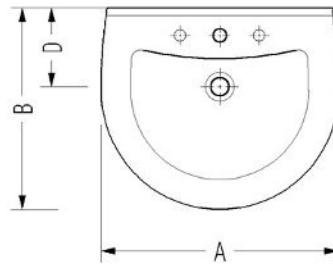
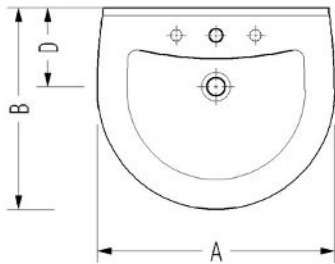
WEIGHT
11.720 kg.

PRODUCT NAME
6421 / Semi Pedestal

ASSEMBLY KIT
• 150400300082 / Spring Type Assembly Kit

SUITABLE WASHBASIN
• 6401 / Washbasin
• 6442 / Washbasin
• 6443 / Washbasin

WEIGHT
7.770 kg.



	A	B	C	D	G	H
6442	550	465	200	205	565	515
6401	600	510	205	200	565	515
6443	650	530	205	200	565	515

PS
G and H dimensions which at technical drawings are for using syphons w/o pop-up.
These dimensions should be draw 30mm when using syphons with pop-up.

PETUNYA

PRODUCT NAME
6440 / Washbasin

STANDARD
TS EN 14688

ASSEMBLY KIT

- 150400300177 / Washbasin Assembly Kit
- 150400300011 / Overflow Ring

SUITABLE PEDESTAL

- 6423 / Semi Pedestal

WEIGHT
7.880 kg.



PRODUCT NAME
6423 / Semi Pedestal

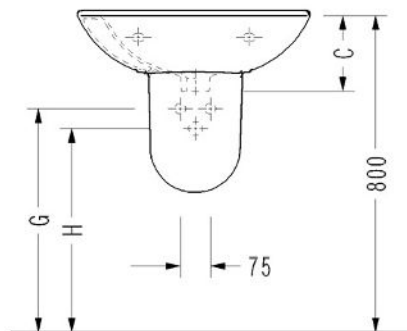
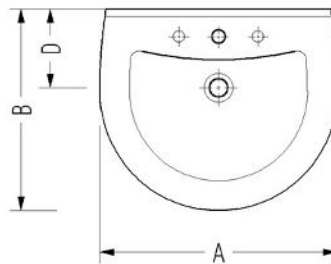
ASSEMBLY KIT

- 150400300067 / Assembly Set With Adjustable Strip

SUITABLE WASHBASIN

- 6440 / Washbasin
- 6441 / Washbasin

WEIGHT
5.490 kg.



	A	B	C	D	G	H
6440	450	355	150	170	620	570
6441	500	400	170	170	600	550

PS

G and H dimensions which at technical drawings are for using syphons w/o pop-up. These dimensions should be draw 30mm when using syphons with pop-up.

PETUNYA

PRODUCT NAME
6441 / Washbasin

STANDARD
TS EN 14688

ASSEMBLY KIT
• 150400300177 / Washbasin Assembly Kit
• 150400300011 / Overflow Ring

SUITABLE PEDESTAL
• 6423 / Semi Pedestal

WEIGHT
9.950 kg.

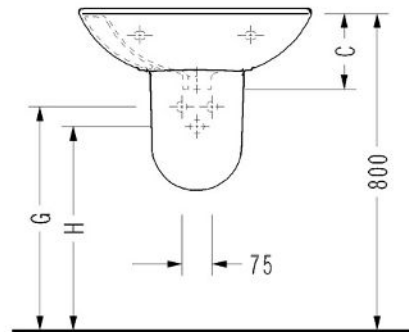
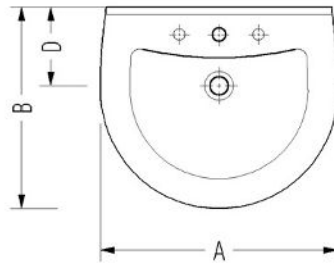


PRODUCT NAME
6423 / Semi Pedestal

ASSEMBLY KIT
• 150400300067 / Assembly Set with Adjustable Strip

SUITABLE WASHBASIN
• 6440 / Washbasin
• 6441 / Washbasin

WEIGHT
5.490 kg.



	A	B	C	D	G	H
6440	450	355	150	170	620	570
6441	500	400	170	170	600	550

PS
G and H dimensions which at technical drawings are for using syphons w/o pop-up.
These dimensions should be draw 30mm when using syphons with pop-up.

PETUNYA

PRODUCT NAME

6433 / Countertop Washbasin

STANDARD

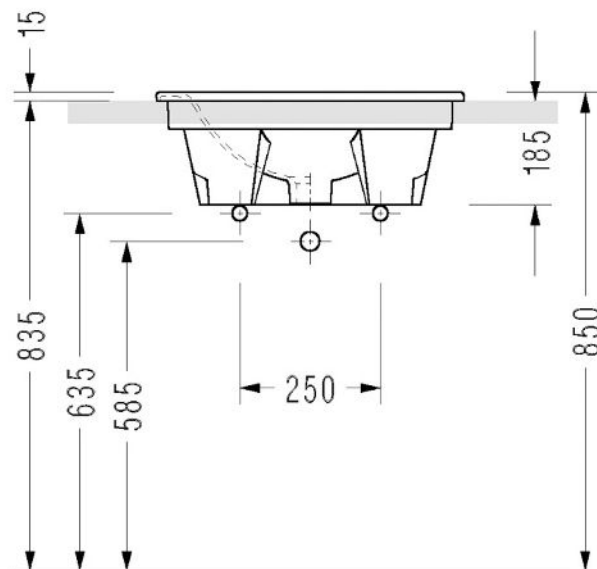
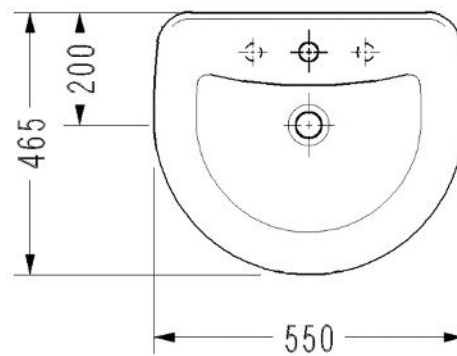
TS EN 14688

ASSEMBLY KIT

• 150400300011 / Overflow Ring

WEIGHT

15.790 kg.

**PS**

585 and 635 dimensions which at technical drawings are for using syphons w/o pop-up. These dimensions should be draw 30mm when using syphons with pop-up.

PETUNYA

PRODUCT NAME
6410 / Wall Hung WC Pan

STANDARD
TS 800 EN 997

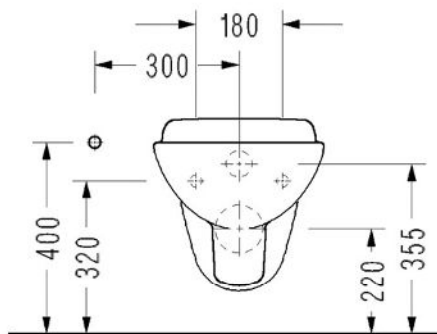
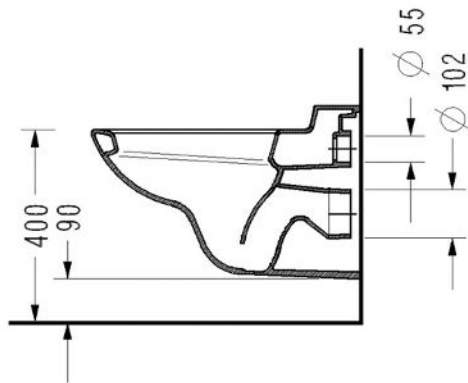
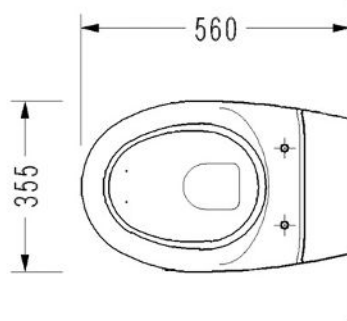
ASSEMBLY KIT

- 150400300187 / Hidden Lustration System (120mm.)
- 150400300250 / 3/8" Connection Adapter

SUITABLE SEAT COVER

- 2006601002 / PETUNYA Duroplast Seat Cover
- 2206601002 / PETUNYA Duroplast Seat Cover (anti-bacterial)

WEIGHT
16.740 kg.



PETUNYA

PRODUCT NAME

6402 / BTW Close Coupled WC Pan

STANDARD

TS 800 EN 997

ASSEMBLY KIT

- 150400300217 / Assembly Set With Adjustable Strip
- 150400300057 / S-Elbow Pipe and Assembly Kit
- 150400300052 / Straight PVC Pipe (optional)
- 150400300168 / PETUNYA Hidden Lustration System
- 150400300078 / Bushed Extension Hose (2 Pcs)
- 150400300214 / Connection Adapter 90° (2 Pcs)
- 150400300056 / Closing Cap (2 Pcs)
- 150400300192 / 3/8" Flexible Hose (350 mm.)

SUITABLE SEAT COVER

- 2006600002 / PETUNYA Duroplast Seat Cover
- 2206600002 / PETUNYA Duroplast Seat Cover (anti-bacterial)

WEIGHT

28.790 kg.



PRODUCT NAME

6404 / Cistern

STANDARD

TS 823

CISTERN WATER ENTRY

Bottom

SUITABLE INTERNAL KIT

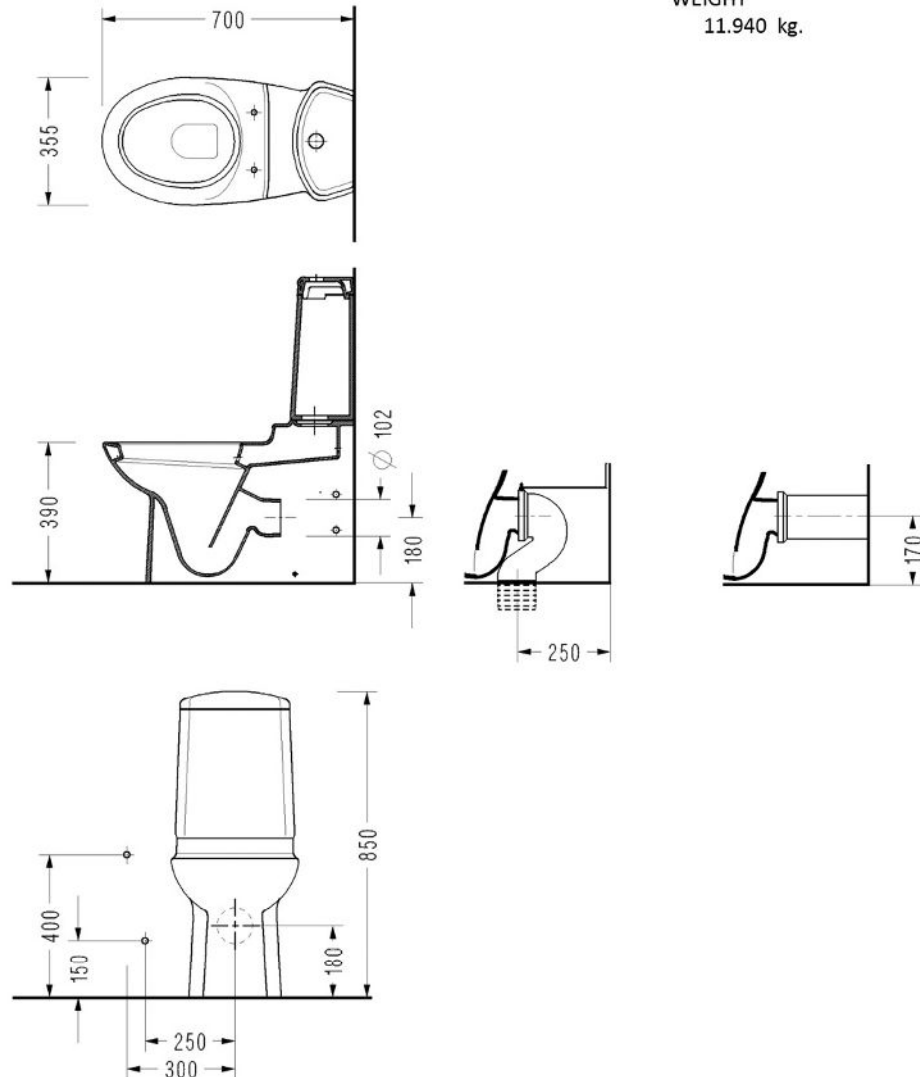
- 102113047 / ECA
- 102113045 / ECA

ASSEMBLY KIT

- 150400300049 / BTW Cistern Assembly Kit

WEIGHT

11.940 kg.



PETUNYA

PRODUCT NAME

6406 / P-Trap Close Coupled WC Pan

STANDARD

TS 800 EN 997

ASSEMBLY KIT

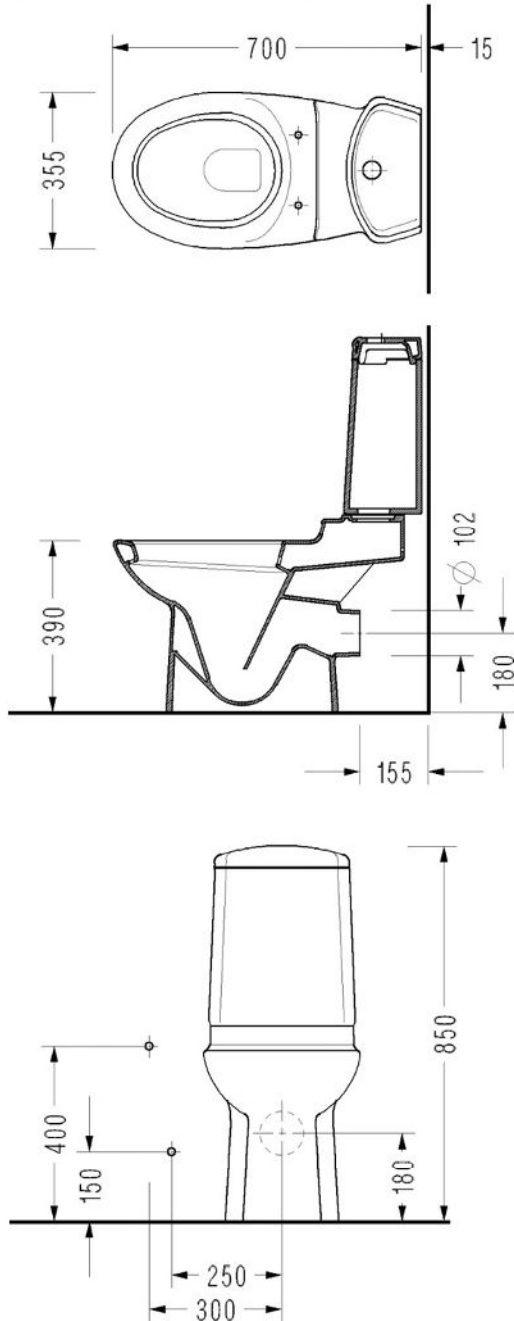
- 150400300217 / Hooked System Assembly Kit
- 150400300168 / Hidden Lustration System (320mm.)
- 150400300052 / Straight Pipe
- 150400300017 / WC Pan and Bidet Semi Pedestal Assembly Kit

SUITABLE SEAT COVER

- 2006600002 / PETUNYA Duroplast Seat Cover
- 2206600002 / PETUNYA Duroplast Seat Cover (anti-bacterial)

WEIGHT

21.480 kg.



PRODUCT NAME

6404 / Cistern

STANDARD

TS 823

CISTERN WATER ENTRY

Bottom

SUITABLE MECHANISM

- 102113047 / ECA
- 102113045 / ECA

ASSEMBLY KIT

- 150400300049 / BTW Cistern Assembly Kit

WEIGHT

11.940 kg.

PETUNYA



PRODUCT NAME

6411 / BTW Single WC Pan

STANDARD

TS 800 EN 997

ASSEMBLY KIT

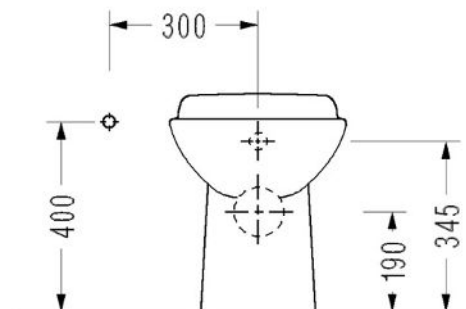
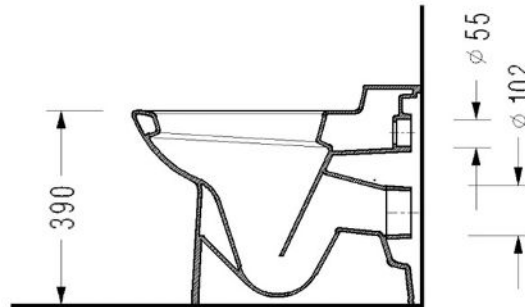
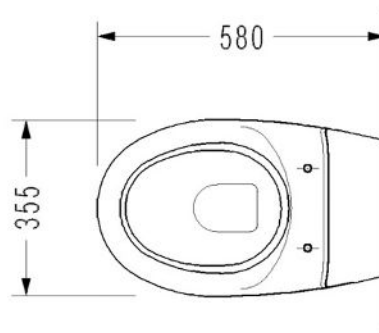
- 150400300188 / Hidden Lustration System for Wall Hung WC Pan (150mm.)
- 150400300217 / Assembly Set With Adjustable Strip
- 150400300192 / 3/8" Flexible Hose (350mm.)
- 150400300057 / S-Elbow Pipe
- 150400300052 / Straight Pipe

SUITABLE SEAT COVER

- 2006600002 / PETUNYA Duroplast Seat Cover
- 2206600002 / PETUNYA Duroplast Seat Cover (anti-bacterial)

WEIGHT

21.510 kg.



PETUNYA

PRODUCT NAME

6419 / Wall Hung Bidet

STANDARD

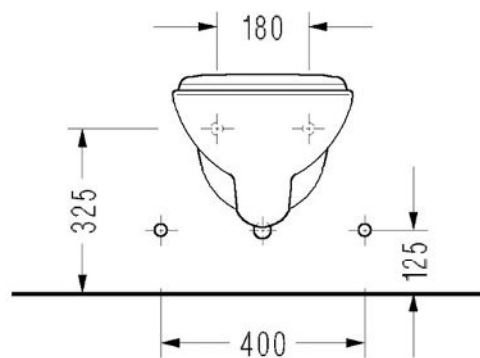
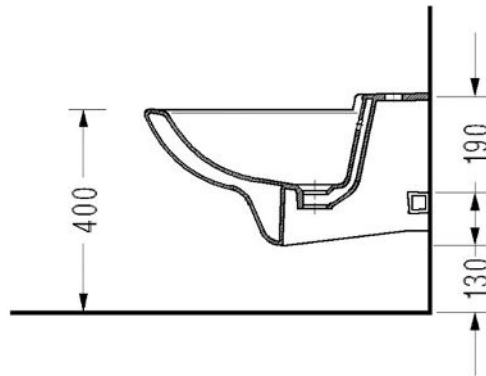
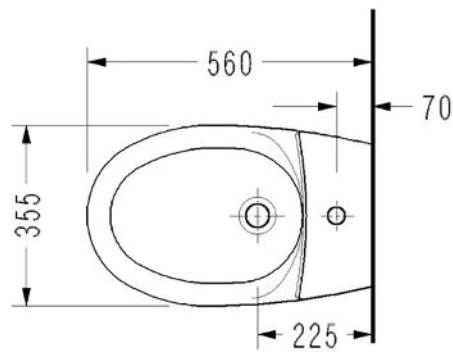
TS EN 14528

ASSEMBLY KIT

• 150400300011 / Overflow Ring

WEIGHT

15.100 kg.



PETUNYA

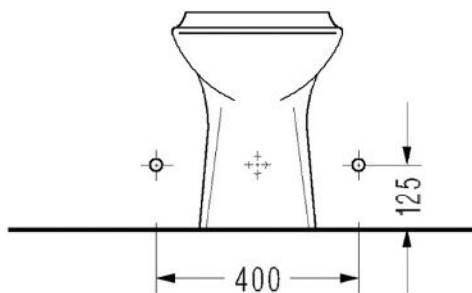
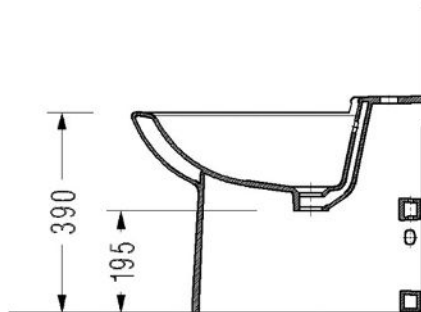
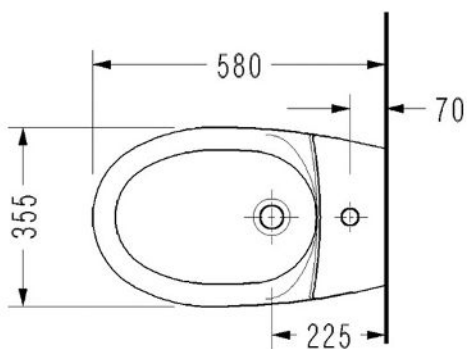
PRODUCT NAME
6403 / BTW Bidet

STANDARD
TS EN 14528

ASSEMBLY KIT

- 150400300217 / Assembly Set with Adjustable Strip
- 150400300128 / BTW Bidet Syphon Fixing Rod
- 150400300129 / BTW Bidet Syphon Fixing Ring
- 150400300011 / Overflow Ring

WEIGHT
21.300 kg.



DELTA



PRODUCT NAME
DE42 / Washbasin

STANDARD
TS EN 14688

ASSEMBLY KIT
• 150400300177 / Washbasin Assembly Kit
• 150400300011 / Overflow Ring

SUITABLE PEDESTAL
• DE05 / Full Pedestal
• DE21 / Semi Pedestal

WEIGHT
10.640 kg.

PRODUCT NAME
DE05 / Full Pedestal

SUITABLE WASHBASIN
• DE42 / Washbasin
• DE41 / Washbasin
• DE01 / Washbasin
• DE44 / Washbasin
• DE40 / Washbasin
• DE30 / Washbasin
• DE43 / Washbasin

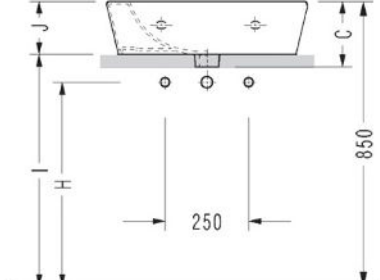
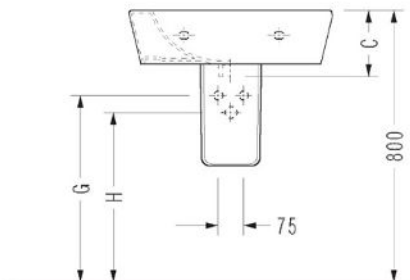
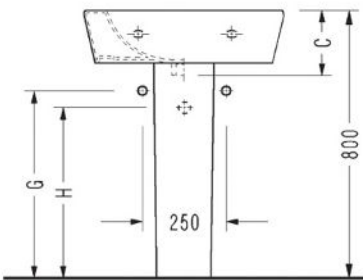
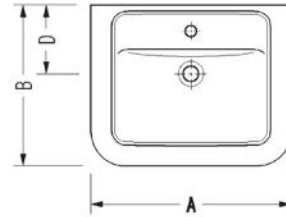
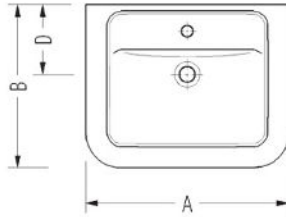
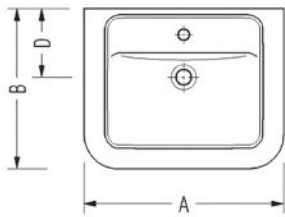
WEIGHT
13.140 kg.

PRODUCT NAME
DE21 / Semi Pedestal

ASSEMBLY KIT
• 150400300067 / Hooked System Assembly Kit

SUITABLE WASHBASIN
• DE42 / Washbasin
• DE41 / Washbasin
• DE01 / Washbasin
• DE44 / Washbasin
• DE40 / Washbasin
• DE30 / Washbasin
• DE43 / Washbasin

WEIGHT
7.890 kg.



	A	B	C	D	G	H	I	J
DE42	450	380	150	195	620	570	730	120
DE41	500	400	165	195	605	555	715	135
DE01	600	480	195	205	575	525	690	160
DE44	850	480	195	205	575	525	690	160

PS
G and H dimensions which at technical drawings are for using syphons w/o pop-up.
These dimensions should be draw 30mm when using syphons with pop-up.

DELTA

PRODUCT NAME
DE41 / Washbasin

STANDARD
TS EN 14688

ASSEMBLY KIT
• 150400300177 / Washbasin Assembly Kit
• 150400300011 / Overflow Ring

SUITABLE PEDESTAL
• DE05 / Full Pedestal
• DE21 / Semi Pedestal

WEIGHT
13.610 kg.



PRODUCT NAME
DE05 / Full Pedestal

SUITABLE WASHBASIN
• DE42 / Washbasin
• DE41 / Washbasin
• DE01 / Washbasin
• DE44 / Washbasin
• DE40 / Washbasin
• DE30 / Washbasin
• DE43 / Washbasin

WEIGHT
13.140 kg.

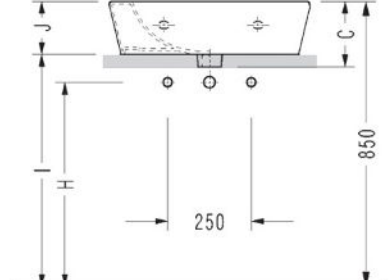
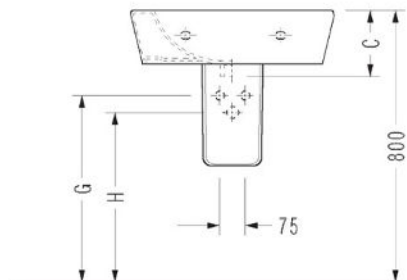
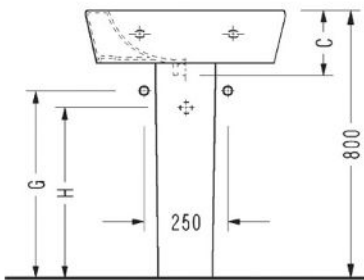
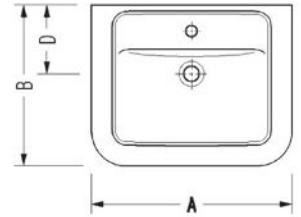
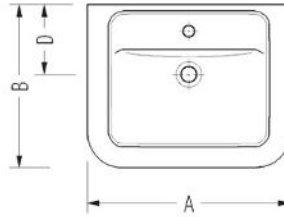
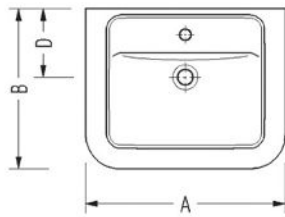


PRODUCT NAME
DE21 / Semi Pedestal

ASSEMBLY KIT
• 150400300067 / Hooked System Assembly Kit

SUITABLE WASHBASIN
• DE42 / Washbasin
• DE41 / Washbasin
• DE01 / Washbasin
• DE44 / Washbasin
• DE40 / Washbasin
• DE30 / Washbasin
• DE43 / Washbasin

WEIGHT
7.890 kg.



	A	B	C	D	G	H	I	J
DE42	450	380	150	195	620	570	730	120
DE41	500	400	165	195	605	555	715	135
DE01	600	480	195	205	575	525	690	160
DE44	850	480	195	205	575	525	690	160

PS

G and H dimensions which at technical drawings are for using syphons w/o pop-up. These dimensions should be draw 30mm when using syphons with pop-up.

DELTA



PRODUCT NAME
DE01 / Washbasin

STANDARD
TS EN 14688

ASSEMBLY KIT
• 150400300177 / Washbasin Assembly Kit
• 150400300011 / Overflow Ring

SUITABLE PEDESTAL
• DE05 / Full Pedestal
• DE21 / Semi Pedestal

WEIGHT
19.350 kg.

PRODUCT NAME
DE05 / Full Pedestal

SUITABLE WASHBASIN
• DE42 / Washbasin
• DE41 / Washbasin
• DE01 / Washbasin
• DE44 / Washbasin
• DE40 / Washbasin
• DE30 / Washbasin
• DE43 / Washbasin

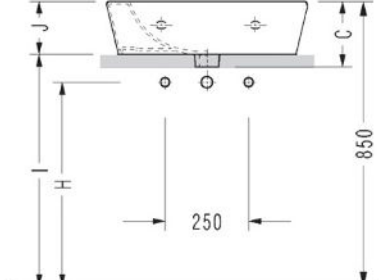
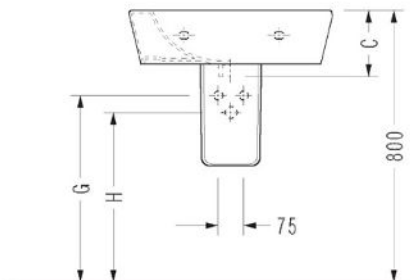
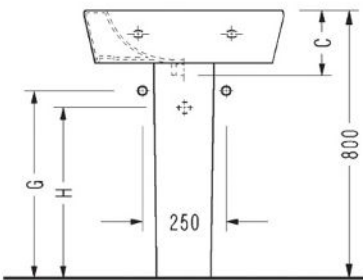
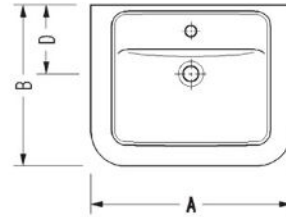
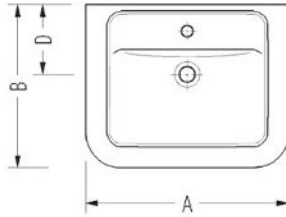
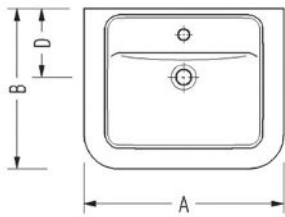
WEIGHT
13.140 kg.

PRODUCT NAME
DE21 / Semi Pedestal

ASSEMBLY KIT
• 150400300067 / Hooked System Assembly Kit

SUITABLE WASHBASIN
• DE42 / Washbasin
• DE41 / Washbasin
• DE01 / Washbasin
• DE44 / Washbasin
• DE40 / Washbasin
• DE30 / Washbasin
• DE43 / Washbasin

WEIGHT
7.890 kg.



	A	B	C	D	G	H	I	J
DE42	450	380	150	195	620	570	730	120
DE41	500	400	165	195	605	555	715	135
DE01	600	480	195	205	575	525	690	160
DE44	850	480	195	205	575	525	690	160

PS
G and H dimensions which at technical drawings are for using syphons w/o pop-up.
These dimensions should be draw 30mm when using syphons with pop-up.

DELTA

PRODUCT NAME
DE44 / Washbasin

STANDARD
TS EN 14688

ASSEMBLY KIT
• 150400300177 / Washbasin Assembly Kit
• 150400300011 / Overflow Ring

SUITABLE PEDESTAL
• DE05 / Full Pedestal
• DE21 / Semi Pedestal

WEIGHT
24.250 kg.



PRODUCT NAME
DE05 / Full Pedestal

SUITABLE WASHBASIN
• DE42 / Washbasin
• DE41 / Washbasin
• DE01 / Washbasin
• DE44 / Washbasin
• DE40 / Washbasin
• DE30 / Washbasin
• DE43 / Washbasin

WEIGHT
13.140 kg.

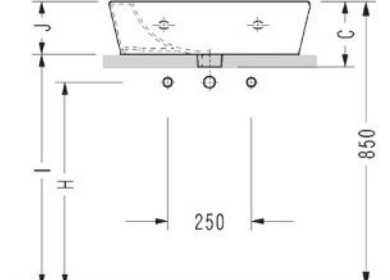
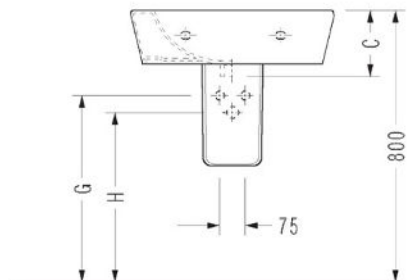
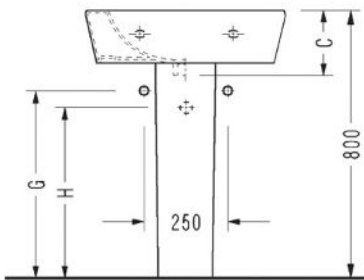
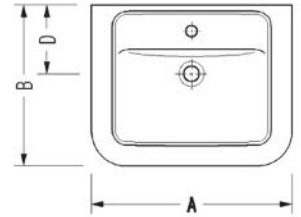
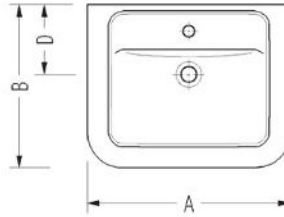
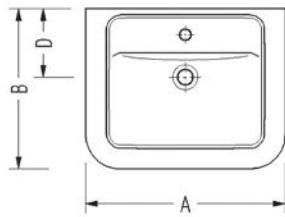


PRODUCT NAME
DE21 / Semi Pedestal

ASSEMBLY KIT
• 150400300067 / Hooked System Assembly Kit

SUITABLE WASHBASIN
• DE42 / Washbasin
• DE41 / Washbasin
• DE01 / Washbasin
• DE44 / Washbasin
• DE40 / Washbasin
• DE30 / Washbasin
• DE43 / Washbasin

WEIGHT
7.890 kg.



	A	B	C	D	G	H	I	J
DE42	450	380	150	195	620	570	730	120
DE41	500	400	165	195	605	555	715	135
DE01	600	480	195	205	575	525	690	160
DE44	850	480	195	205	575	525	690	160

PS

G and H dimensions which at technical drawings are for using syphons w/o pop-up.
These dimensions should be draw 30mm when using syphons with pop-up.

DELTA



PRODUCT NAME
DE43 / Washbasin

STANDARD
TS EN 14688

ASSEMBLY KIT

- 150400300177 / Washbasin Assembly Kit
- 150400300011 / Overflow Ring

SUITABLE PEDESTAL

- DE05 / Full Pedestal
- DE21 / Semi Pedestal

WEIGHT
13.610 kg.

PRODUCT NAME
DE05 / Full Pedestal

SUITABLE WASHBASIN

- DE42 / Washbasin
- DE41 / Washbasin
- DE01 / Washbasin
- DE44 / Washbasin
- DE40 / Washbasin
- DE30 / Washbasin
- DE43 / Washbasin

WEIGHT
13.140 kg.

PRODUCT NAME
DE21 / Semi Pedestal

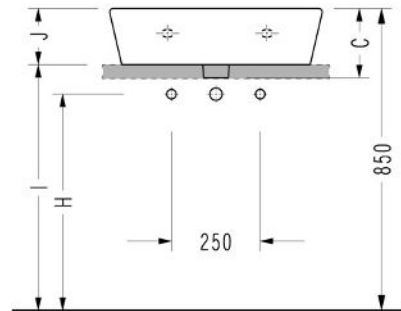
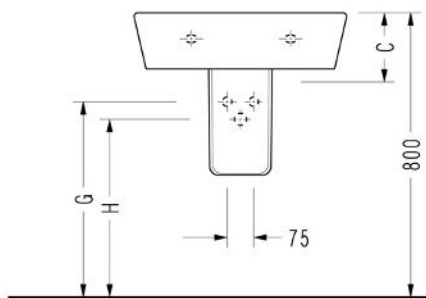
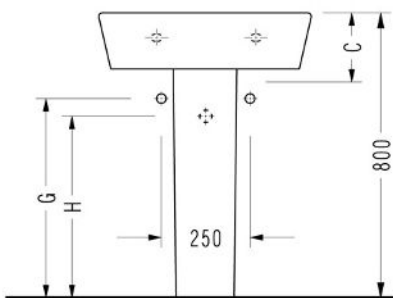
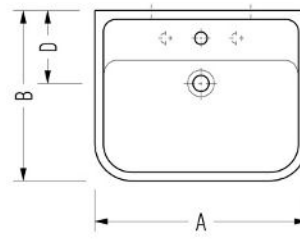
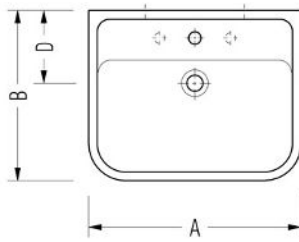
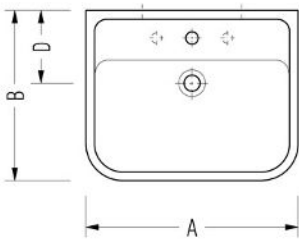
ASSEMBLY KIT

- 150400300067 / Hooked Assembly Kit

SUITABLE WASHBASIN

- DE42 / Washbasin
- DE41 / Washbasin
- DE01 / Washbasin
- DE44 / Washbasin
- DE40 / Washbasin
- DE30 / Washbasin
- DE43 / Washbasin

WEIGHT
7.890 kg.



	A	B	C	D	G	H	J	I
DE43	500	400	165	195	605	555	135	715
DE30	600	480	195	205	575	525	160	690

PS
G and H dimensions which at technical drawings are for using syphons w/o pop-up.
These dimensions should be draw 30mm when using syphons with pop-up.

DELTA

PRODUCT NAME
DE30 / Washbasin

STANDARD
TS EN 14688

ASSEMBLY KIT
• 150400300177 / Washbasin Assembly Kit
• 150400300011 / Overflow Ring

SUITABLE PEDESTAL
• DE05 / Full Pedestal
• DE21 / Semi Pedestal

WEIGHT
19.250 kg.



PRODUCT NAME
DE05 / Full Pedestal

SUITABLE WASHBASIN
• DE42 / Washbasin
• DE41 / Washbasin
• DE01 / Washbasin
• DE44 / Washbasin
• DE40 / Washbasin
• DE30 / Washbasin
• DE43 / Washbasin

WEIGHT
13.140 kg.

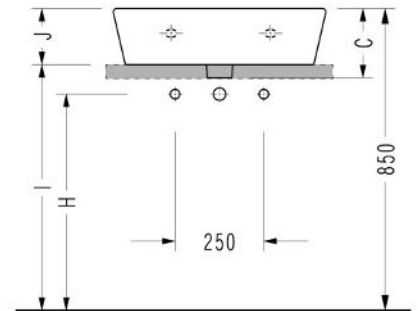
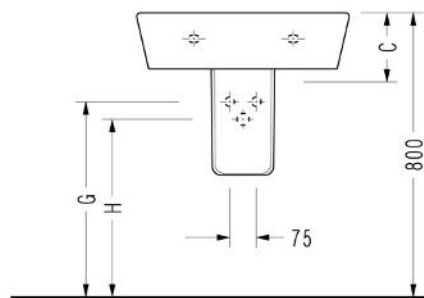
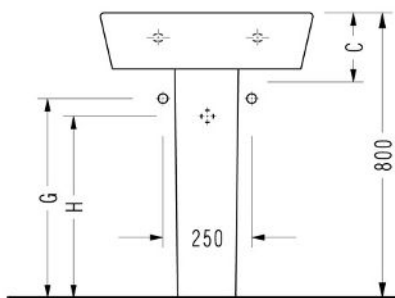
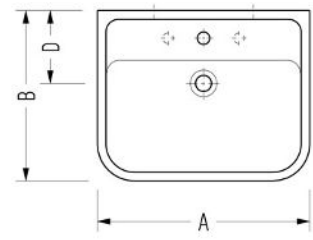
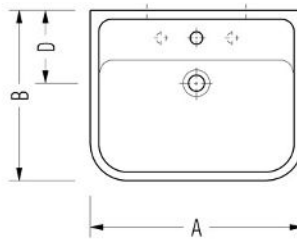
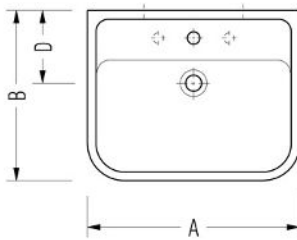


PRODUCT NAME
DE21 / Semi Pedestal

ASSEMBLY KIT
• 150400300067 / Hooked System Assembly Kit

SUITABLE WASHBASIN
• DE42 / Washbasin
• DE41 / Washbasin
• DE01 / Washbasin
• DE44 / Washbasin
• DE40 / Washbasin
• DE30 / Washbasin
• DE43 / Washbasin

WEIGHT
7.890 kg.



	A	B	C	D	G	H	J	I
DE43	500	400	165	195	605	555	135	715
DE30	600	480	195	205	575	525	160	690

PS

G and H dimensions which at technical drawings are for using syphons w/o pop-up.
These dimensions should be draw 30mm when using syphons with pop-up.

DELTA

PRODUCT NAME
DE40 / Washbasin

STANDARD
TS EN 14688

ASSEMBLY KIT
• 150400300177 / Washbasin Assembly Kit
• 150400300011 / Overflow Ring

SUITABLE PEDESTAL
• DE05 / Full Pedestal
• DE21 / Semi Pedestal

WEIGHT
17.600 kg.



PRODUCT NAME
DE05 / Full Pedestal

SUITABLE WASHBASIN
• DE42 / Washbasin
• DE41 / Washbasin
• DE01 / Washbasin
• DE44 / Washbasin
• DE40 / Washbasin
• DE30 / Washbasin
• DE43 / Washbasin

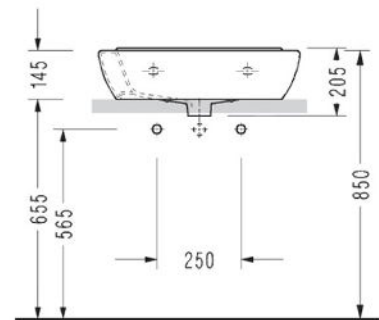
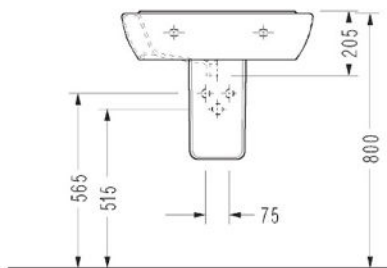
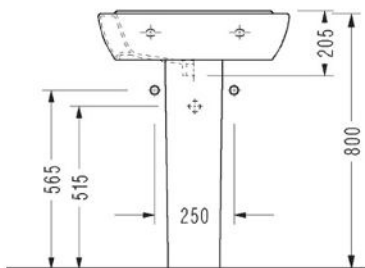
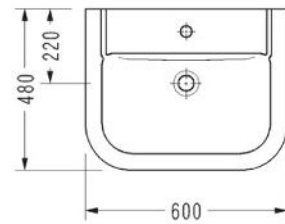
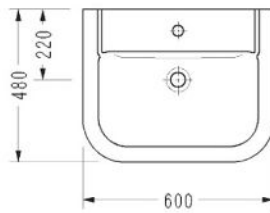
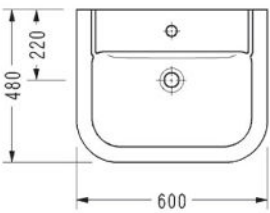
WEIGHT
13.140 kg.

PRODUCT NAME
DE21 / Semi Pedestal

ASSEMBLY KIT
• 150400300067 / Hooked System Assembly Kit

SUITABLE WASHBASIN
• DE42 / Washbasin
• DE41 / Washbasin
• DE01 / Washbasin
• DE44 / Washbasin
• DE40 / Washbasin
• DE30 / Washbasin
• DE43 / Washbasin

WEIGHT
7.890 kg.



PS
565 and 515 dimensions which at technical drawings are for using syphons w/o pop-up.
These dimensions should be draw 30mm when using syphons with pop-up.

DELTA



PRODUCT NAME

DE10 / Wall Hung WC Pan

STANDARD

TS 800 EN 997

ASSEMBLY KIT

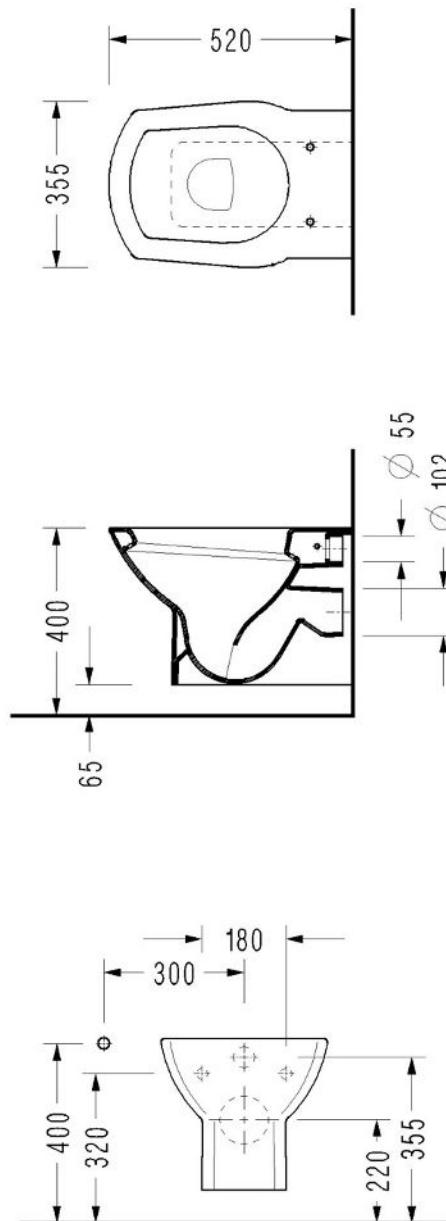
- 150400300195 / Hidden Lustration System (90mm.)
- 150400300195 / Built-in Lustration System (90mm.)
- 150400300261 / Hidden Lustration System (70mm.) (built-in system)
- 150400300250 / 430mm. Bushed Extension Hose (3/8" bushed hose) (for built-in lustration system)

SUITABLE SEAT COVER

- 2006200002 / NIOBE Duroplast Seat Cover
- 2206200002 / NIOBE Duroplast Seat Cover (anti-bacterial)

WEIGHT

19.100 kg.



DELTA

PRODUCT NAME

DE02 / BTW Close Coupled WC Pan

STANDARD

TS 800 EN 997

ASSEMBLY KIT

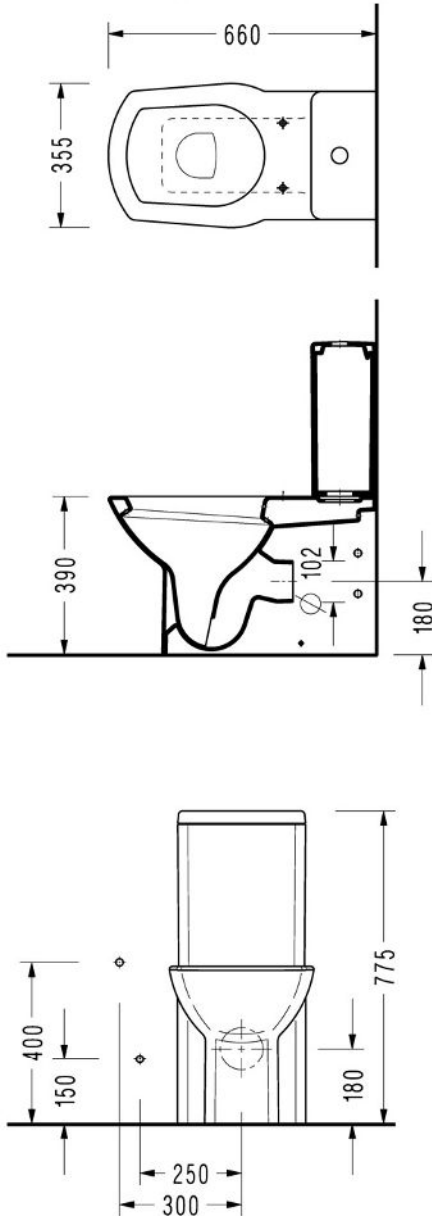
- 150400300214 / 90° Connection Adapter
- 150400300192 / 305mm. Bushed Extension Hose (3/8" bushed)
- 150400300202 / BTW Hidden Lustration System (280mm.) (special 90° built-in system)
- 150400300297 / Hidden Lustration (nearest the ceramic surface) (255mm.)
- 150400300217 / Assembly Set with Adjustable Strip
- 150400300057 / SEREL S-Elbow Pipe
- 150400300052 / Straight Pipe
- 150400300056 / Closing Cap

SUITABLE SEAT COVER

- 2006200002 / NIOBE Duroplast Seat Cover
- 2206200002 / NIOBE Duroplast Seat Cover (anti-bacterial)

WEIGHT

27.900 kg.



PRODUCT NAME

DE04 / Cistern

STANDARD

TS 823

WATER ENTRY

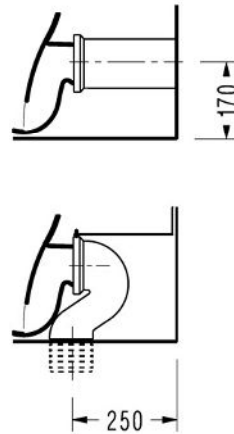
Bottom

SUITABLE MECHANISM

- 102113047 / ECA
- 150400400079 / SEREL

WEIGHT

13.510 kg.



PRELUDE

PRODUCT NAME
6501 / Washbasin

STANDARD
TS EN 14688

ASSEMBLY KIT
• 150400300177 / Washbasin Assembly Kit
• 150400300011 / Overflow Ring

SUITABLE PEDESTAL
• 6505 / Full Pedestal
• 6520 / Full Pedestal
• 6521 / Semi Pedestal

WEIGHT
16.560 kg.



PRODUCT NAME
6505 / Full Pedestal

SUITABLE WASHBASIN
• 6501 / Washbasin

WEIGHT
9.470 kg.

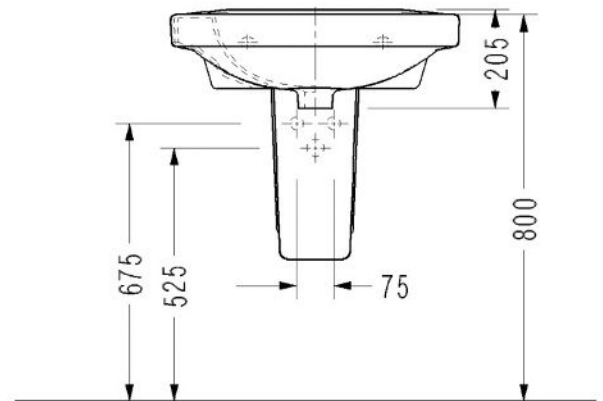
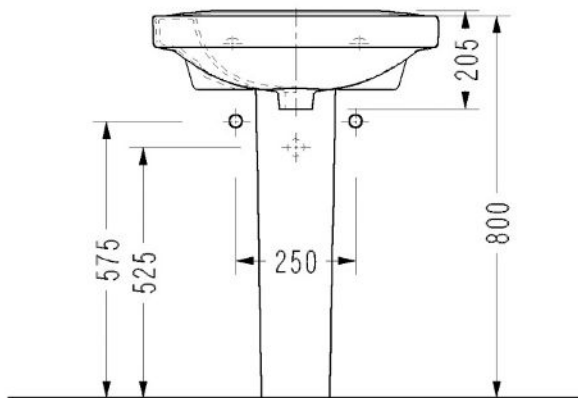
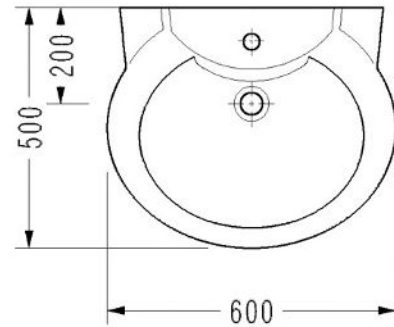
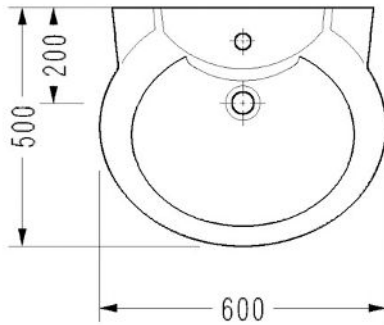


PRODUCT NAME
6521 / Semi Pedestal

SUITABLE WASHBASIN
• 6501 / Washbasin

ASSEMBLY KIT
• 150400300082 / Spring Assembly Kit

WEIGHT
8.240 kg.



PS

525,575 and 675 dimensions which at technical drawings are for using syphons w/o pop-up. These dimensions should be draw 30mm when using syphons with pop-up.

PRELUDE

PRODUCT NAME
6501 / Washbasin

STANDARD
TS EN 14688

ASSEMBLY KIT

- 150400300177 / Washbasin Assembly Kit
- 150400300011 / Overflow Ring
- 150400300216 / Towel Holder

SUITABLE PEDESTAL

- 6505 / Full Pedestal
- 6520 / Full Pedestal
- 6521 / Semi Pedestal

WEIGHT
16.560 kg.

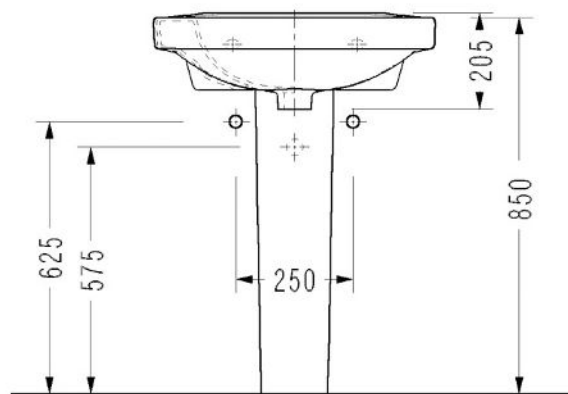
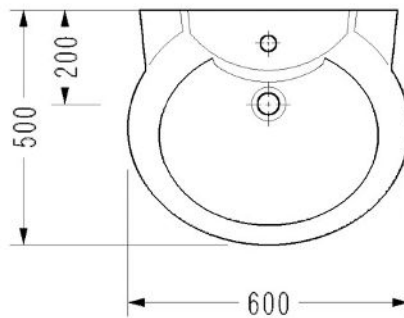


PRODUCT NAME
6520 / Full Pedestal

SUITABLE WASHBASIN

- 6501 / Washbasin

WEIGHT
9.700 kg.



PS
575 and 625 dimensions which at technical drawings are for using syphons w/o pop-up. These dimensions should be draw 30mm when using syphons with pop-up.

PRELUDE

PRODUCT NAME

6502 / BTW Close Coupled WC Pan

STANDARD

TS 800 EN 997

ASSEMBLY KIT

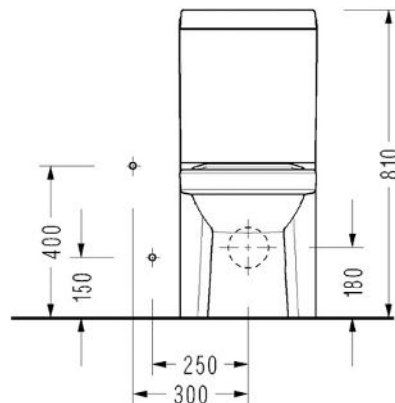
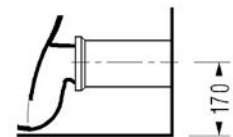
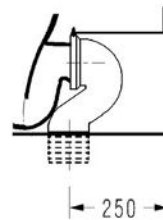
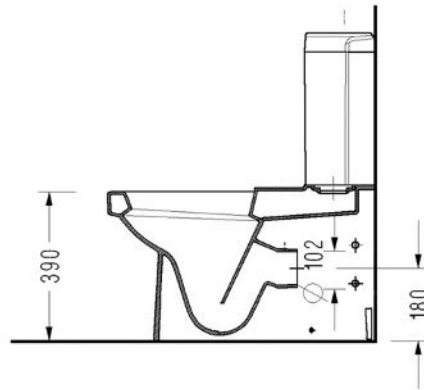
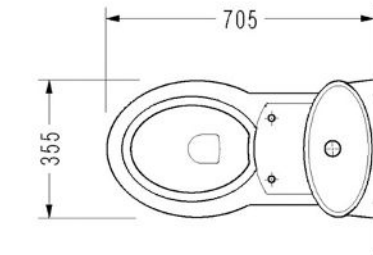
- 150400300217 / Assembly Set with Adjustable Strip
- 150400300057 / S-Elbow Pipe
- 150400300052 / Straight PVC Pipe (optional)
- 150400300078 / Bushed Extension Hose (2 Pcs)
- 150400300214 / Connection Adapter 90° (2 Pcs)
- 150400300056 / Closing Cap (2 Pcs)
- 150400300206 / PRELUDE Hidden Lustration System (GTB)
- 150400300192 / 3/8" Flexible Hose (350mm.)

SUITABLE SEAT COVER

- 2037000002 / PRELUDE SilentClose Duroplast Seat Cover
- 2237000002 / PRELUDE SilentClose Duroplast Seat Cover (anti-bacterial)
- 2007000002 / PRELUDE Duroplast Seat Cover
- 2207000002 / PRELUDE Duroplast Seat Cover (anti-bacterial)

WEIGHT

28.520 kg.



PRODUCT NAME

6504 / Cistern

STANDARD

TS 823

CISTERN WATER ENTRY

Bottom

SUITABLE INTERNAL SET

- 102113047 / ECA
- 150400400079 / SEREL

ASSEMBLY KIT

- 150400300049 / BTW Cistern Assembly Kit

WEIGHT

12.590 kg.

ORKIDE

PRODUCT NAME
6841 / Washbasin

STANDARD
TS EN 14688

ASSEMBLY KIT
• 150400300177 / Washbasin Assembly Kit
• 150400300011 / Overflow Ring

SUITABLE PEDESTAL
• 6805 / Full Pedestal
• 6822 / Semi Pedestal

WEIGHT
11.440 kg.



PRODUCT NAME
6805 / Full Pedestal

SUITABLE WASHBASIN
• 6801 / Washbasin
• 6841 / Washbasin
• 6842 / Washbasin

WEIGHT
10.350 kg.

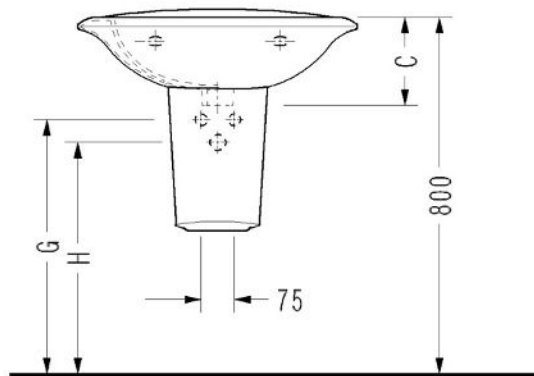
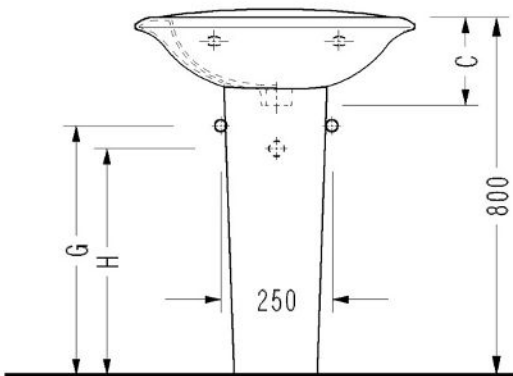
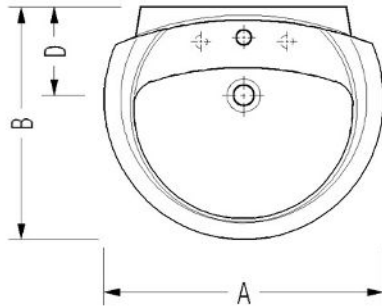


PRODUCT NAME
6822 / Semi Pedestal

ASSEMBLY KIT
• 150400300082 / Spring Type Assembly Kit

SUITABLE WASHBASIN
• 6801 / Washbasin
• 6841 / Washbasin
• 6842 / Washbasin
• 6831 / Washbasin

WEIGHT
7.490 kg.



	A	B	C	D	G	H
6841	550	460	185	205	585	535
6801	600	510	205	205	565	515
6842	650	540	205	205	565	515

PS
G and H dimensions which at technical drawings are for using syphons w/o pop-up.
These dimensions should be draw 30mm when using syphons with pop-up.

ORKIDE

PRODUCT NAME
6801 / Washbasin

STANDARD
TS EN 14688

ASSEMBLY KIT

- 150400300177 / Washbasin Assembly Kit
- 150400300011 / Overflow Ring

SUITABLE PEDESTAL

- 6805 / Full Pedestal
- 6822 / Semi Pedestal

WEIGHT
14.430 kg.



PRODUCT NAME
6805 / Full Pedestal

SUITABLE WASHBASIN

- 6801 / Washbasin
- 6841 / Washbasin
- 6842 / Washbasin

WEIGHT
10.350 kg.

PRODUCT NAME
6822 / Semi Pedestal

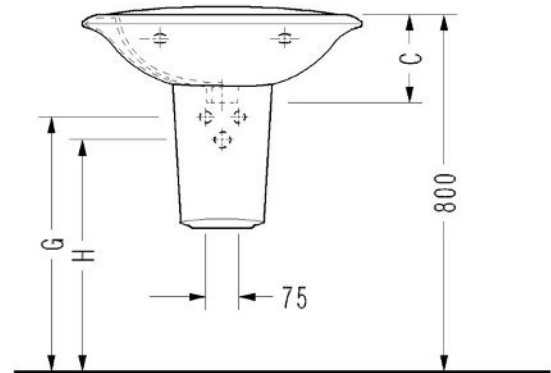
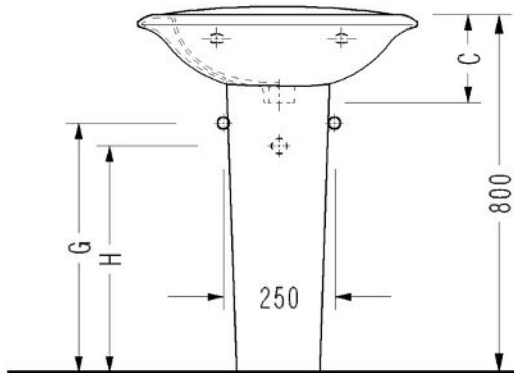
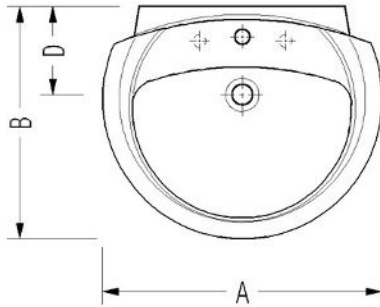
ASSEMBLY KIT

- 150400300082 / Spring Type Assembly Kit

SUITABLE WASHBASIN

- 6801 / Washbasin
- 6841 / Washbasin
- 6842 / Washbasin
- 6831 / Washbasin

WEIGHT
7.490 kg.



	A	B	C	D	G	H
6841	550	460	185	205	585	535
6801	600	510	205	205	565	515
6842	650	540	205	205	565	515

PS

G and H dimensions which at technical drawings are for using syphons w/o pop-up.
These dimensions should be draw 30mm when using syphons with pop-up.

ORKIDE

PRODUCT NAME
6842 / Washbasin

STANDARD
TS EN 14688

ASSEMBLY KIT

- 150400300177 / Washbasin Assembly Kit
- 150400300011 / Overflow Ring

SUITABLE PEDESTAL

- 6805 / Full Pedestal
- 6822 / Semi Pedestal

WEIGHT
16.250 kg.



PRODUCT NAME
6805 / Full Pedestal

SUITABLE WASHBASIN

- 6801 / Washbasin
- 6841 / Washbasin
- 6842 / Washbasin

WEIGHT
10.350 kg.

PRODUCT NAME
6822 / Semi Pedestal

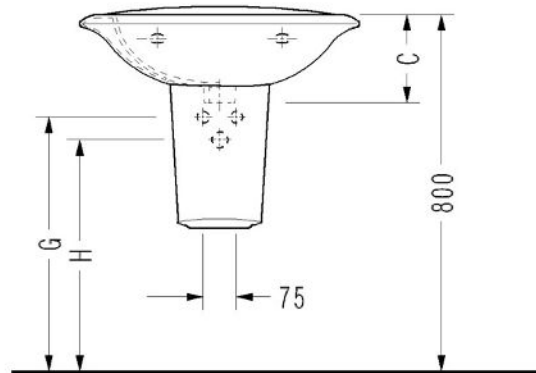
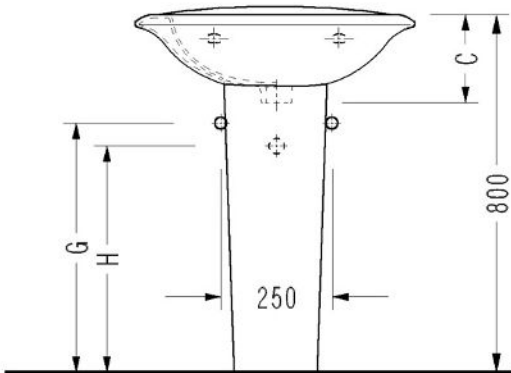
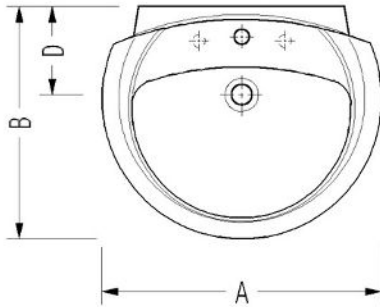
ASSEMBLY KIT

- 150400300082 / Spring Type Assembly Kit

SUITABLE WASHBASIN

- 6801 / Washbasin
- 6841 / Washbasin
- 6842 / Washbasin
- 6831 / Washbasin

WEIGHT
7.490 kg.



	A	B	C	D	G	H
6841	550	460	185	205	585	535
6801	600	510	205	205	565	515
6842	650	540	205	205	565	515

PS
G and H dimensions which at technical drawings are for using syphons w/o pop-up.
These dimensions should be draw 30mm when using syphons with pop-up.

ORKIDE

PRODUCT NAME
6840 / Washbasin

STANDARD
TS EN 14688

ASSEMBLY KIT

- 150400300177 / Washbasin Assembly Kit
- 150400300011 / Overflow Ring

SUITABLE PEDESTAL

- 6823 / Semi Pedestal

WEIGHT
8.220 kg.



PRODUCT NAME
6823 / Semi Pedestal

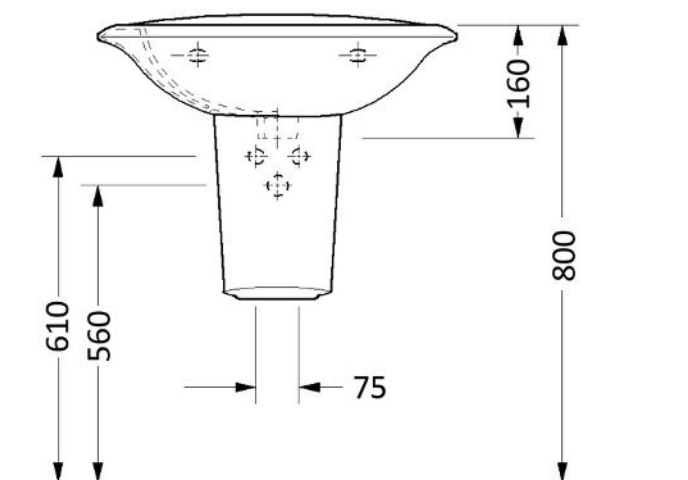
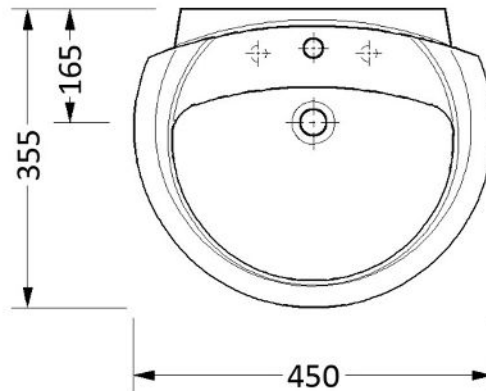
ASSEMBLY KIT

- 150400300082 / Spring Type Assembly Kit

SUITABLE WASHBASIN

- 6840 / Washbasin

WEIGHT
5.520 kg.



PS

560 and 610 dimensions which at technical drawings are for using syphons w/o pop-up. These dimensions should be draw 30mm when using syphons with pop-up.

ORKIDE

PRODUCT NAME
6831 / Washbasin (furniture)

STANDARD
TSEK

ASSEMBLY KIT
• 150400300177 / Washbasin Assembly Kit
• 150400300011 / Overflow Ring

SUITABLE PEDESTAL
• 6822 / Semi Pedestal

WEIGHT
19.320 kg.

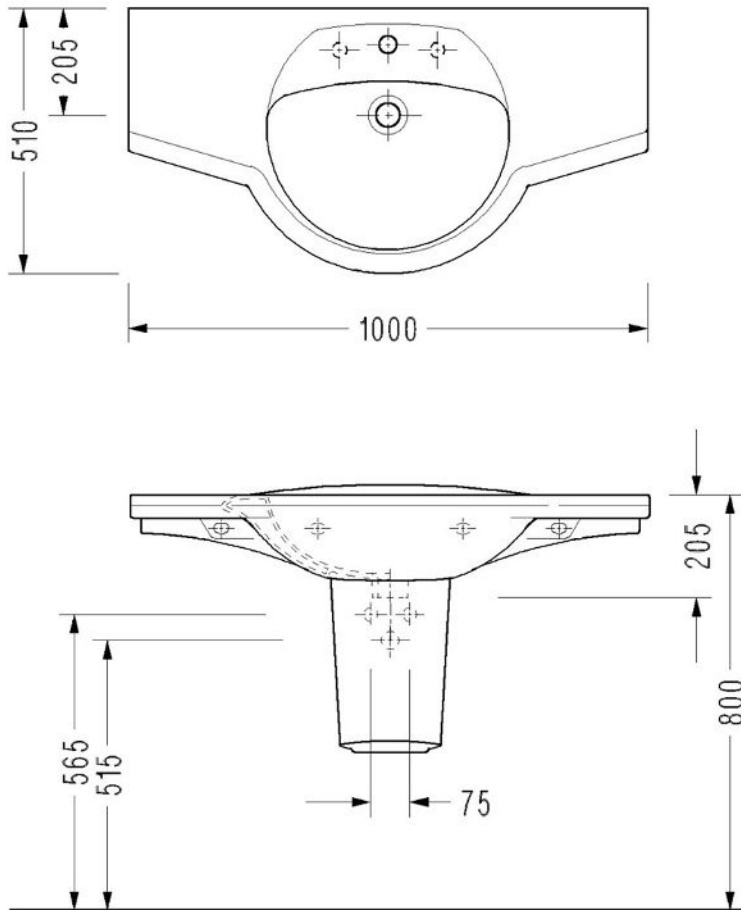


PRODUCT NAME
6822 / Semi Pedestal

ASSEMBLY KIT
• 150400300082 / Spring Type Assembly Kit

SUITABLE WASHBASIN
• 6801 / Washbasin
• 6841 / Washbasin
• 6842 / Washbasin
• 6831 / Washbasin

WEIGHT
7.490 kg.



PS
515 and 565 dimensions which at technical drawings are for using syphons w/o pop-up.
These dimensions should be draw 30mm when using syphons with pop-up.

ORKIDE

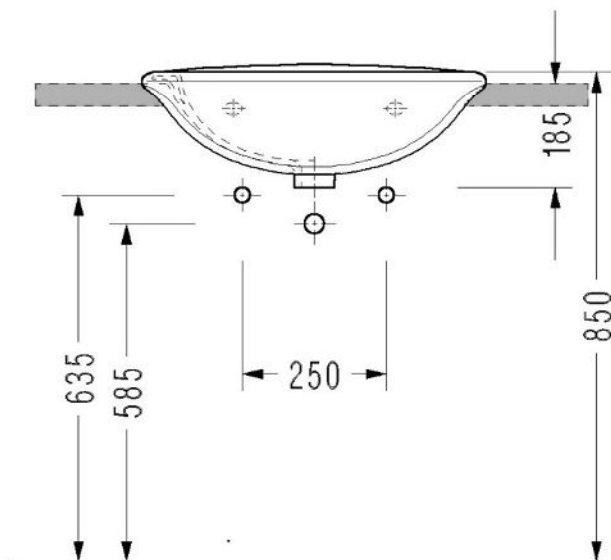
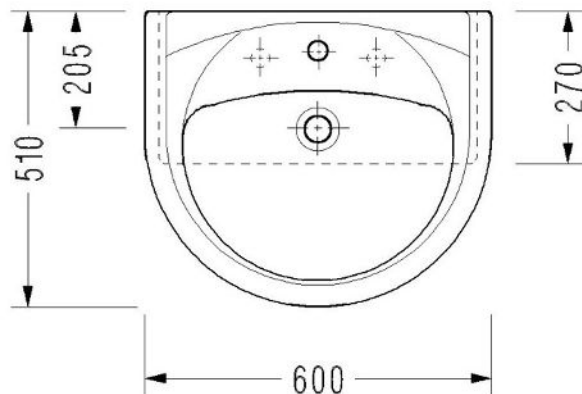


PRODUCT NAME
6834 / Washbasin

STANDARD
TS EN 14688

ASSEMBLY KIT
• 150400300011 / Overflow Ring

WEIGHT
15.140 kg.



ATTENTION

Pls use washbasin as template for shaping the shelf

PS

585 and 635 dimensions which at technical drawings are for using syphons w/o pop-up. These dimensions should be draw 30mm when using syphons with pop-up.

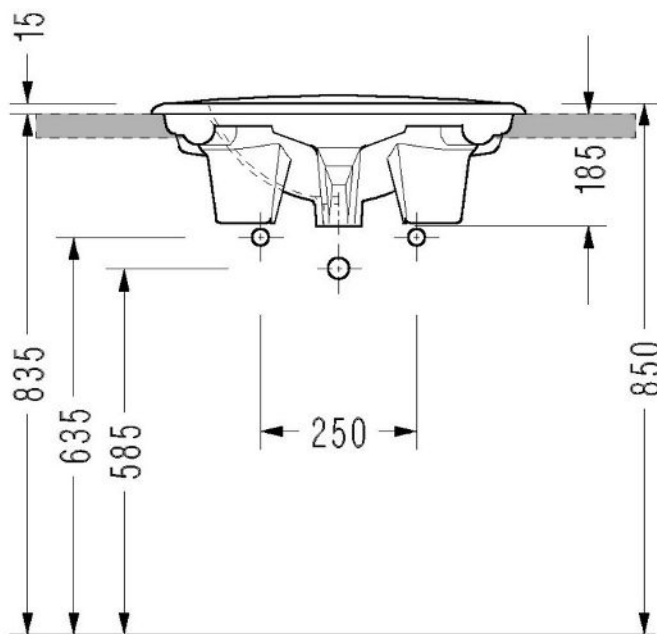
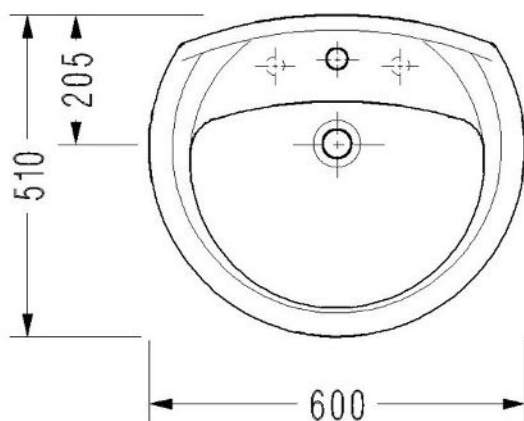
ORKIDE

PRODUCT NAME
6833 / Washbasin

STANDARD
TS EN 14688

ASSEMBLY KIT
• 150400300011 / Overflow Ring

WEIGHT
15.850 kg.



ATTENTION

Pls use washbasin as template for shaping the shelf

PS
585 and 635 dimensions which at technical drawings are for using syphons w/o pop-up.
These dimensions should be draw 30mm when using syphons with pop-up.

ORKIDE



PRODUCT NAME

6810 / Wall Hung WC Pan

STANDARD

TS 800 EN 997

ASSEMBLY KIT

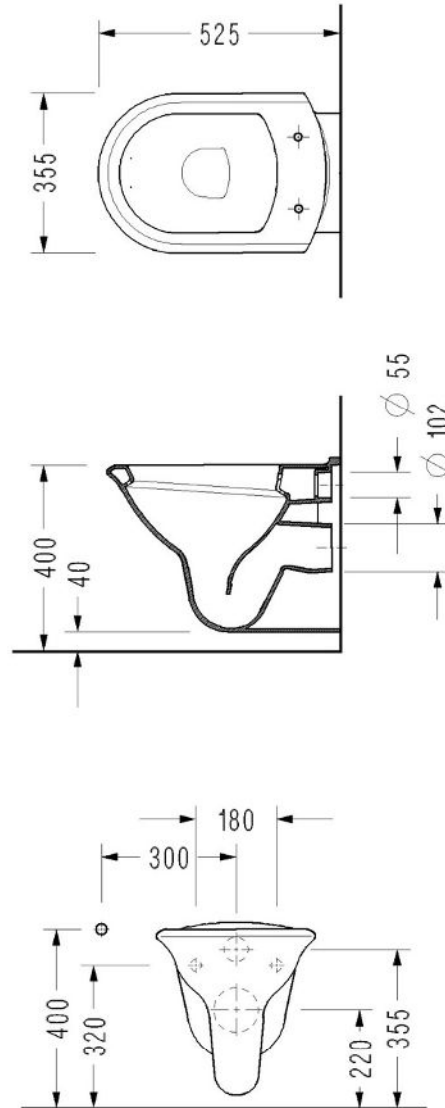
- 150400300195 / Built-in Lustration System (90mm.)

SUITABLE SEAT COVER

- 2036001002 / SPIL SilentClose Duroplast Seat Cover
- 2236001002 / SPIL SilentClose Duroplast Seat Cover (anti-bacterial)
- 2006001002 / SPIL Duroplast Seat Cover
- 2206001002 / SPIL Duroplast Seat Cover (anti-bacterial)

WEIGHT

16.020 kg.



ORKIDE

PRODUCT NAME

6802 / BTW Close Coupled WC Pan

STANDARD

TS 800 EN 997

ASSEMBLY KIT

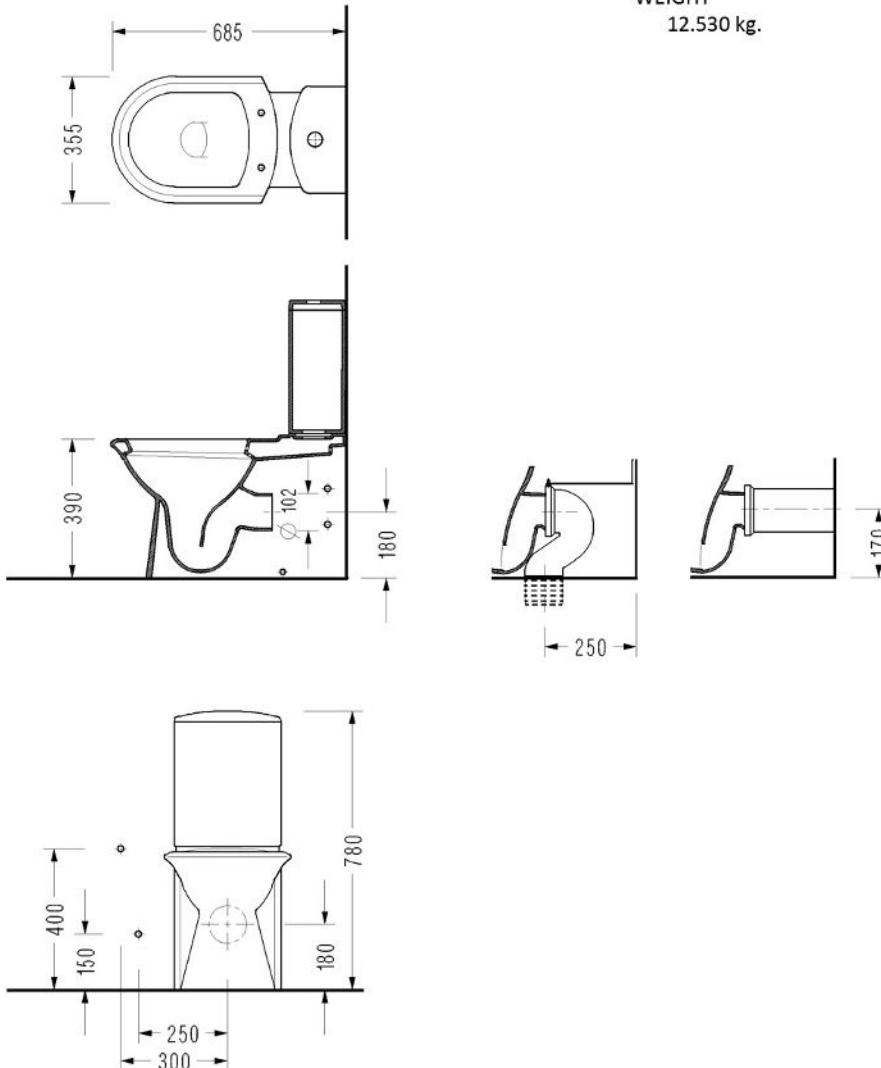
- 150400300217 / Assembly Set with Adjustable Strip
- 150400300057 / S-Elbow Pipe
- 150400300052 / Straight PVC Pipe (optional)
- 150400300202 / Hidden Lustration System (280mm.)
- 150400300078 / Bushed Extension Hose (2 Pcs)
- 150400300214 / Clean Water Connection Adapter 90° (2 Pcs)
- 150400300064/ Connection Adapter 90° (1 Pcs)
- 150400300056 / BTW Closing Cap(2 Pcs)
- 150400300192 / 3/8" Flexible Hose (350 mm.)

SUITABLE SEAT COVER

- 2036001002 / SPIL SilentClose Duroplast Seat Cover
- 2236001002 / SPIL SilentClose Duroplast Seat Cover (anti-bacterial)
- 2006001002 / SPIL Duroplast Seat Cover
- 2206001002 / SPIL Duroplast Seat Cover (anti-bacterial)

WEIGHT

27.240 kg.



PRODUCT NAME

6804 / Cistern

STANDARD

TS 823

CISTERN WATER ENTRY

Bottom

SUITABLE INTERNAL MECHANISM

- 102113047 / ECA
- 102113045 / ECA

ASSEMBLY KIT

- 150400300049 / BTW Cistern Assembly Kit

WEIGHT

12.530 kg.

ORKIDE

PRODUCT NAME

6806 / P-Trap Close Coupled WC Pan

STANDARD

TS 800 EN 997

ASSEMBLY KIT

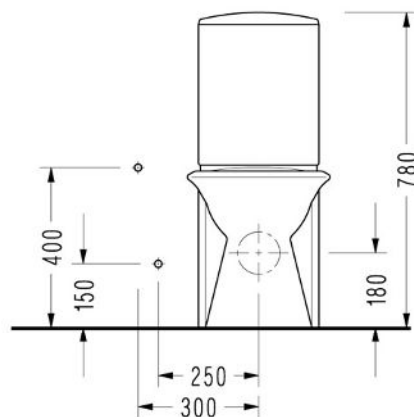
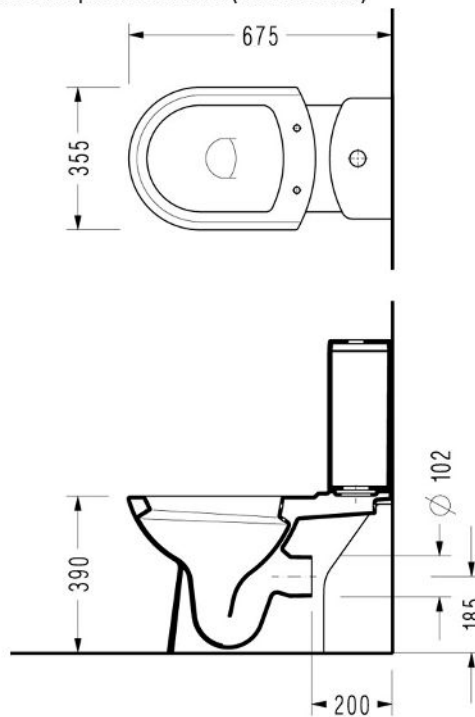
- 150400300217 / Assembly Set with Adjustable Strip
- 150400300241 / Hidden Lustration System for BTW WC Pan (285mm.)
- 150400300057 / S-Elbow Pipe
- 150400300052 / Straight Pipe
- 150400300192 / 3/8" Flexible Hose (350mm.)

SUITABLE SEAT COVER

- 2036001002 / SPIL SilentClose Duroplast Seat Cover
- 2236001002 / SPIL SilentClose Duroplast Seat Cover (anti-bacterial)
- 2006001002 / SPIL Duroplast Seat Cover
- 2206001002 / SPIL Duroplast Seat Cover (anti-bacterial)

WEIGHT

26.030 kg.



PRODUCT NAME

6804 / Cistern

STANDARD

TS 823

CISTERN WATER ENTRY

Bottom

SUITABLE INTERNAL MECHANISM

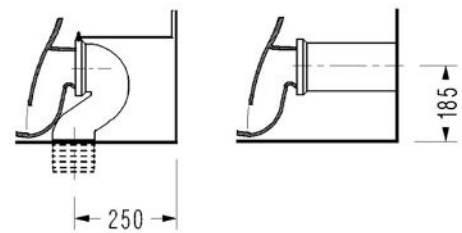
- 102113047 / ECA
- 102113045 / ECA

ASSEMBLY KIT

- 150400300049 / BTW Cistern Assembly Kit

WEIGHT

12.530 kg.



ORKIDE

PRODUCT NAME

6811 / BTW Single WC Pan

STANDARD

TS 800 EN 997

ASSEMBLY KIT

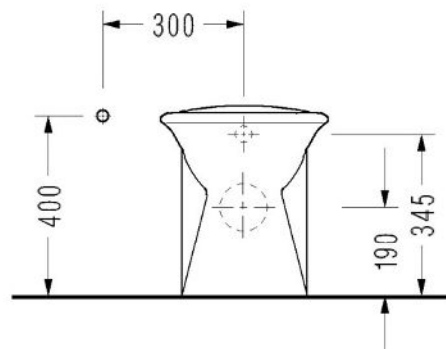
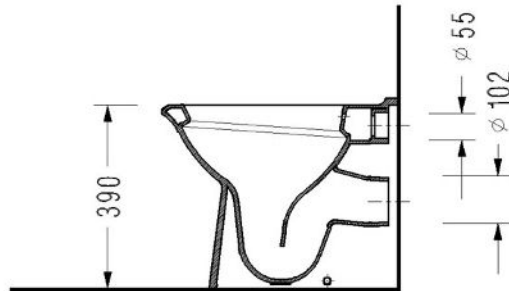
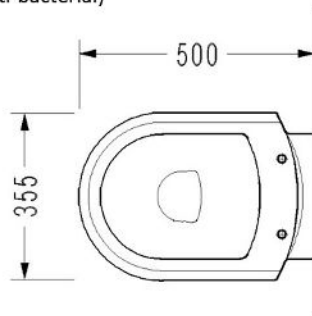
- 150400300217 / Assembly Set with Adjustable Strip
- 150400300001 / Water Inlet Gasket
- 150400300188 / Hidden Lustration System for Wall Hung WC Pan (150mm.)
- 150400300035 / Eccentric Trap Adapter
- 150400300250 / 3/8" Connection Adapter

SUITABLE SEAT COVER

- 2036001002 / SPIL SilentClose Duroplast Seat Cover
- 2236001002 / SPIL SilentClose Duroplast Seat Cover (anti-bacterial)
- 2006001002 / SPIL Duroplast Seat Cover
- 2206001002 / SPIL Duroplast Seat Cover (anti-bacterial)

WEIGHT

19.610 kg.



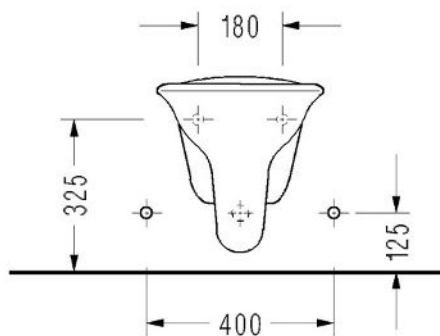
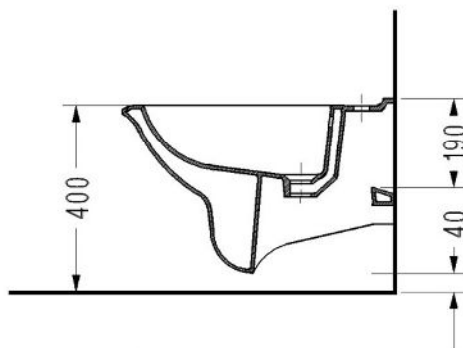
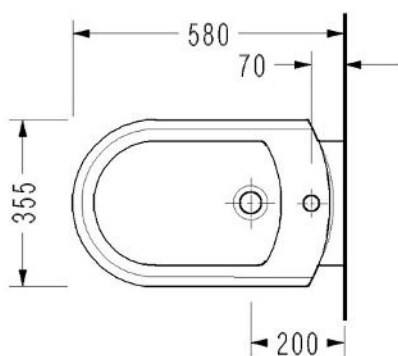
ORKIDE

PRODUCT NAME
6819 / Wall Hung Bidet

STANDARD
TS EN 14528

ASSEMBLY KIT
• 150400300011 / Overflow Ring

WEIGHT
16.900 kg.



ORKIDE

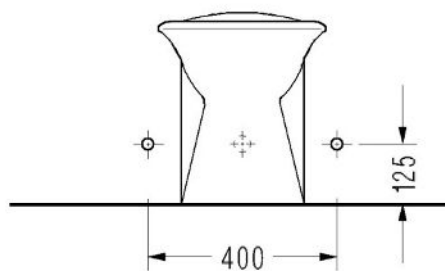
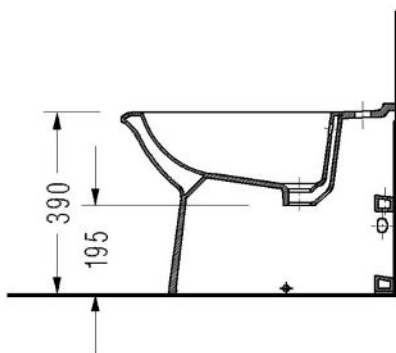
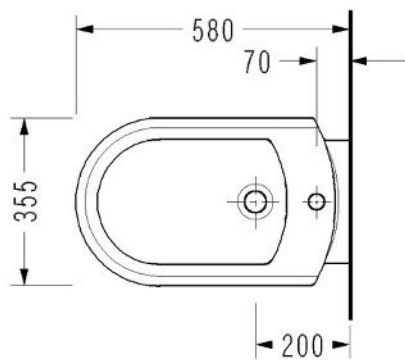
PRODUCT NAME
6803 / BTW Bidet

STANDARD
TS EN 14528

ASSEMBLY KIT

- 150400300217/ Assembly Set with Adjustable Strip
- 150400300128 / BTW Bidet Syphon Fixing Rod
- 150400300129 / BTW Bidet Syphon Fixing Ring
- 150400300011 / Overflow Ring

WEIGHT
22.060 kg.



ORKIDE

PRODUCT NAME
6808 / Urinal

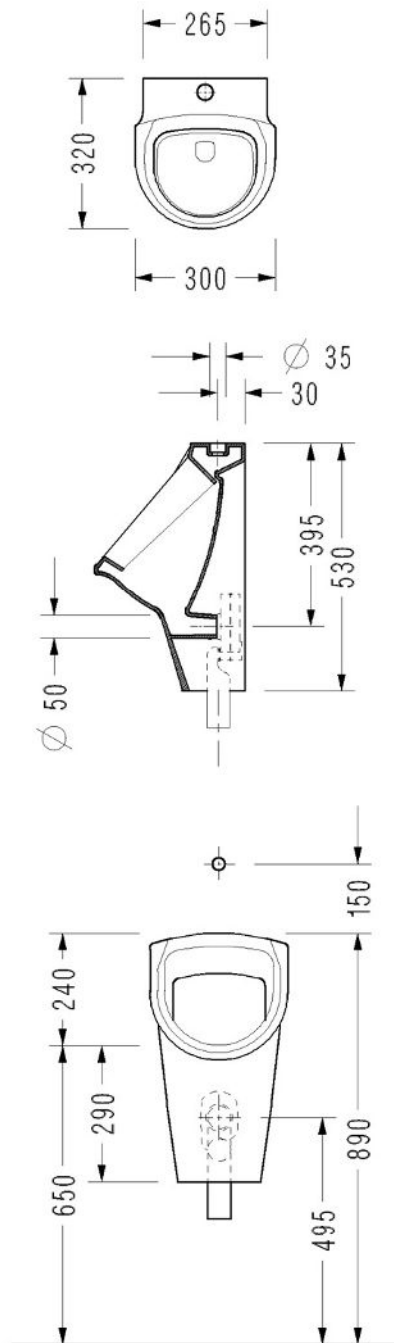
STANDARD
TS 2747

ASSEMBLY KIT

- 150400300217 / Assembly Set With Adjustable Strip
- 150400300079 / Horizontal Urinal Syphon (according to order)
- 150400300080 / Vertical Urinal Syphon (according to order)

WEIGHT

10.200 kg.



ORKIDE

PRODUCT NAME
6809 / Urinal

STANDARD
TS 2747

ASSEMBLY KIT

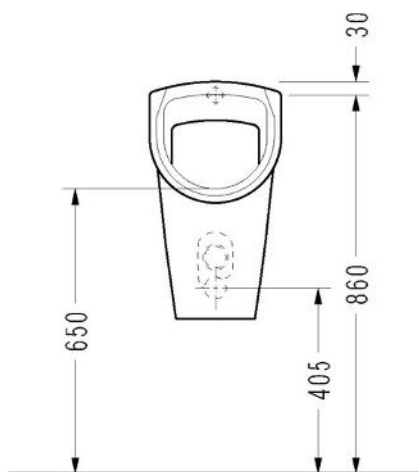
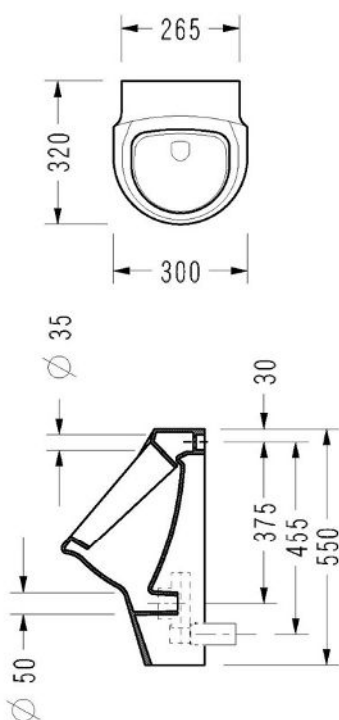
- 150400300217 / Assembly Set With Adjustable Strip
- 150400300079 / Horizontal Urinal Syphon (optional)
- 150400300080 / Vertical Urinal Syphon (optional)

SUITABLE COVER

- 2006300002 / Duroplast Urinal Cover
- 2206300002 / Duroplast Urinal Cover (anti-bacterial)

WEIGHT

10.040 kg.



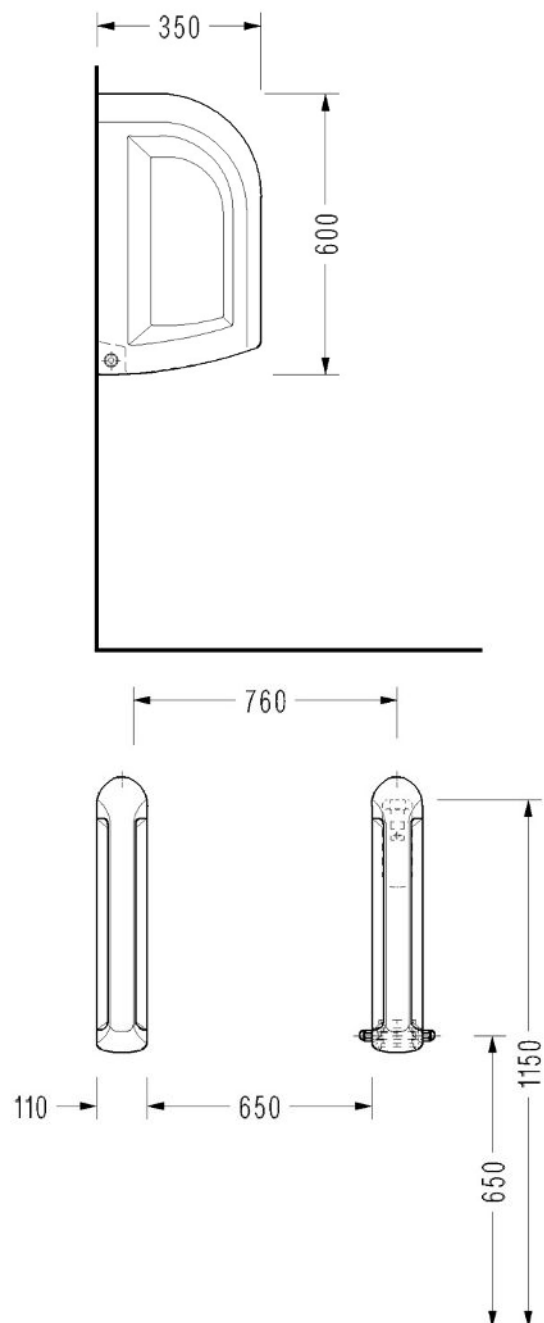
ORKIDE

PRODUCT NAME
6807 / Urinal Wall Separator

STANDARD
TS 2747

ASSEMBLY KIT
• 150400300023 / Urinal Wall Separator Assembly Kit

WEIGHT
8.860 kg.





BIANCA

PRODUCT NAME
6601 / Washbasin

STANDARD
TS EN 14688

ASSEMBLY KIT

- 150400300177 / Washbasin Assembly Kit
- 150400300011 / Overflow Ring

SUITABLE PEDESTAL

- 6605 / Full Pedestal
- F005 / Full Pedestal
- 6621 / Semi Pedestal

WEIGHT
16.620 kg.

PRODUCT NAME
• 6605 / Full Pedestal

SUITABLE WASHBASIN
• 6601 / Washbasin

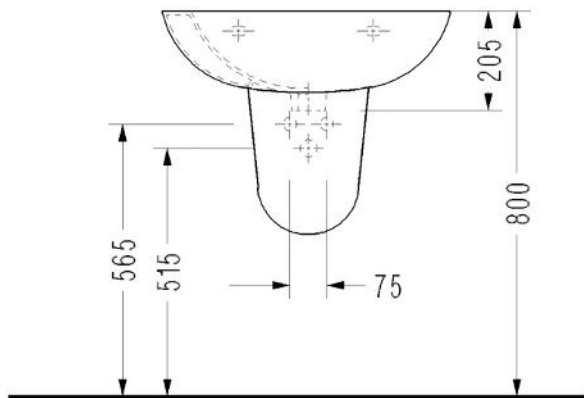
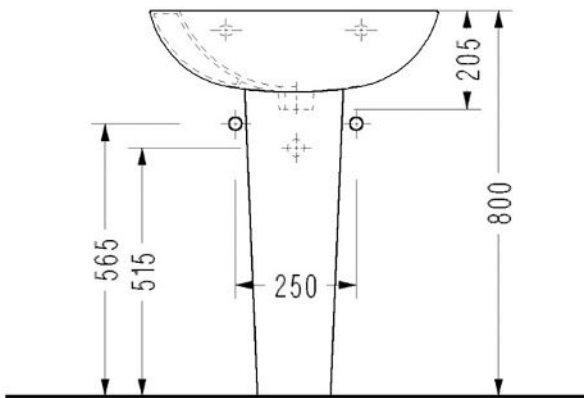
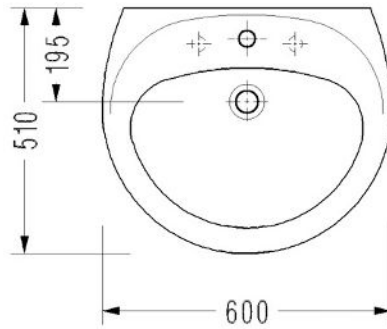
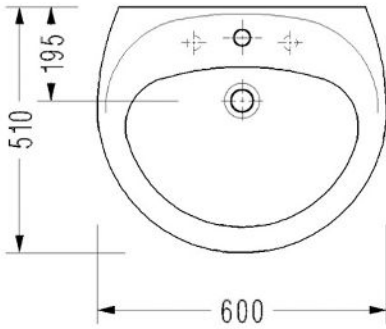
WEIGHT
9.390 kg.

PRODUCT NAME
• 6621 / Semi Pedestal

SUITABLE WASHBASIN
• 6601 / Washbasin

ASSEMBLY KIT
• 150400300082 / Spring Type Assembly Kit

WEIGHT
9.600 kg.



PS 515 and 565 dimensions which at technical drawings are for using syphons w/o pop-up. These dimensions should be draw 30mm when using syphons with pop-up.

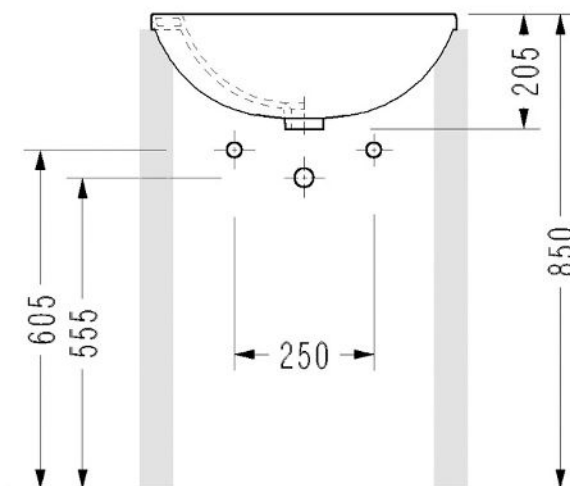
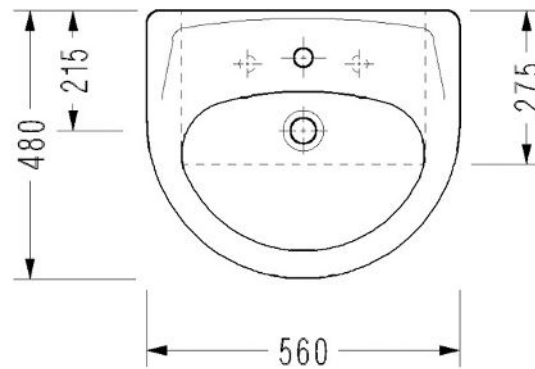
BIANCA

PRODUCT NAME
6634 / Washbasin

STANDARD
TS EN 14688

ASSEMBLY KIT
• 150400300011 / Overflow Ring

WEIGHT
15.080 kg.



PS

555 and 605 dimensions which at technical drawings are for using syphons w/o pop-up.
These dimensions should be draw 30mm. when using syphons with pop-up.

BIANCA

PRODUCT NAME

6602 / BTW Close Coupled WC Pan

STANDARD

TS 800 EN 997

ASSEMBLY KIT

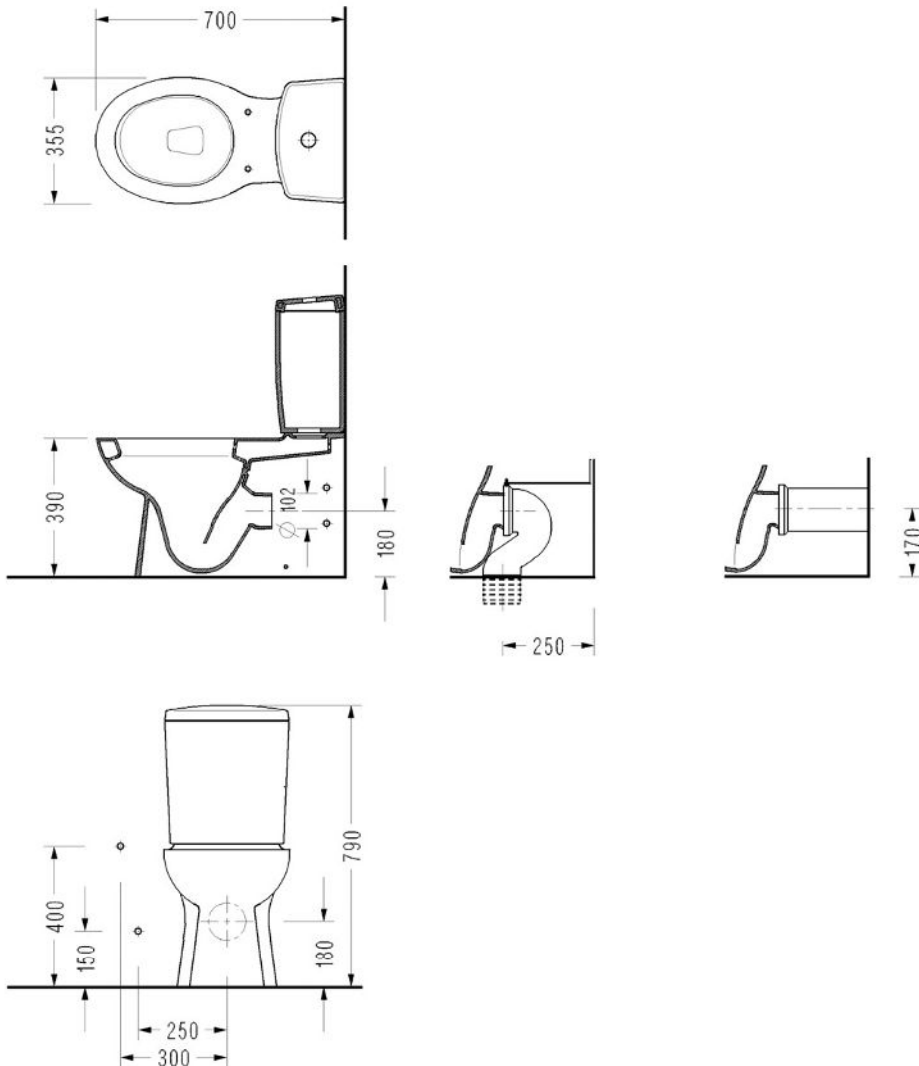
- 150400300217 / BIANCA Assembly Set With Adjustable Strip
- 150400300057 / S-Elbow Pipe
- 150400300052 / Straight PVC Pipe (optional)
- 150400300139 / BIANCA BTW Hidden Lustration System
- 150400300078 / Bushed Extension Hose (2 Pcs)
- 150400300214 / Connection Adapter 90° (2 Pcs)
- 150400300056 / BTW WC Pan Closing Cap (2 Pcs)
- 150400300192 / 3/8" Flexible Hose (350mm.)

SUITABLE SEAT COVER

- 2006100002 / GEDIZ Duroplast Seat Cover
- 2206100002 / GEDIZ Duroplast Seat Cover (anti-bacterial)
- 2026100002 / GEDIZ Duroplast Seat Cover (plastic hinge)
- 2226100002 / GEDIZ Duroplast Seat Cover (plastic hinge) (anti-bacterial)

WEIGHT

27.240 kg.



PRODUCT NAME

6604 / Cistern

STANDARD

TS 823

CISTERN WATER ENTRY

Bottom

SUITABLE INTERNAL MECHANISM

- 102113047 / ECA
- 150400400079 / SEREL

WEIGHT

11.290 kg.

BIANCA

PRODUCT NAME

6602 / BTW Close Coupled WC Pan

STANDARD

TS 800 EN 997

ASSEMBLY KIT

- 150400300217 / BIANCA Assembly Set with Adjustable Strip
- 150400300057 / S-Elbow Pipe
- 150400300052 / Straight PVC Pipe (optional)
- 150400300139 / BIANCA BTW Hidden Lustration System
- 150400300078 / Bushed Extension Hose (2 Pcs)
- 150400300214 / Connection Adapter 90° (2 Pcs)
- 150400300056 / Closing Cap for BTW WC Pan (2 Pcs)
- 150400300192 / 3/8" Flexible Hose (350mm.)

SUITABLE SEAT COVER

- 2006100002 / GEDIZ Duroplast Seat Cover
- 2206100002 / GEDIZ Duroplast Seat Cover (anti-bacterial)
- 2026100002 / GEDIZ Duroplast Seat Cover (plastic hinge)
- 2226100002 / GEDIZ Duroplast Seat Cover (plastic hinge) (anti-bacterial)

WEIGHT

27.240 kg.



PRODUCT NAME

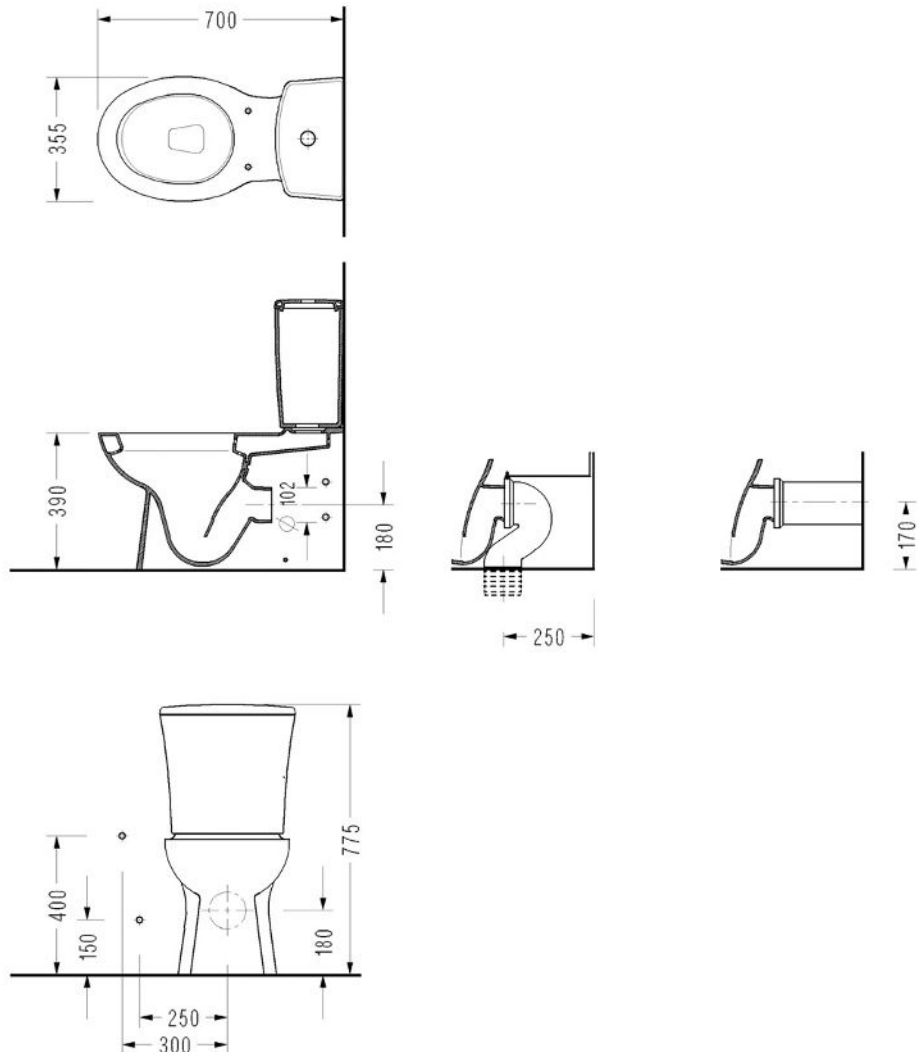
6648 / Cistern

STANDARD

TS 823

WEIGHT

10.680 kg.



BIANCA

PRODUCT NAME

6606 / P-Trap Close Coupled WC Pan

STANDARD

TS 800 EN 997

ASSEMBLY KIT

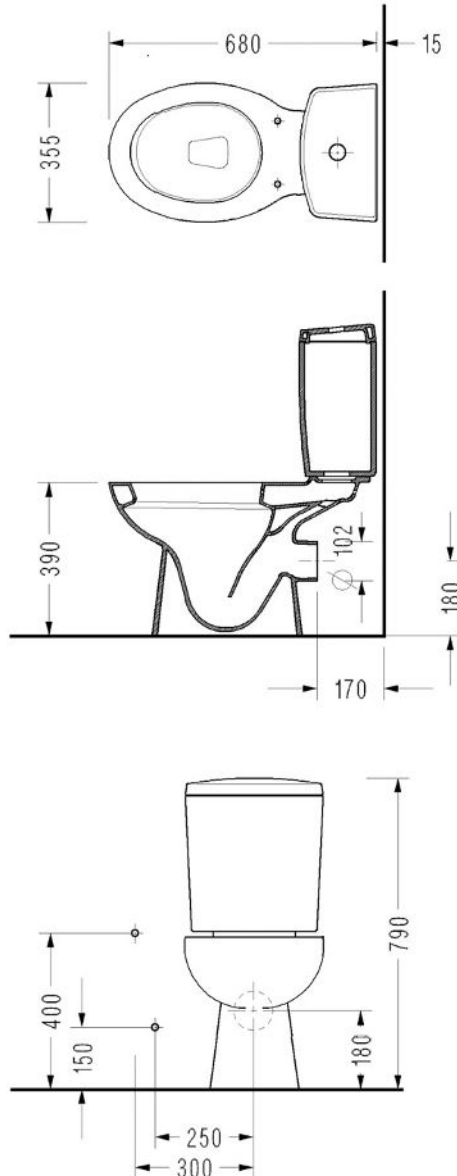
- 150400300217 / BIANCA Assembly Set With Adjustable Strip
- 150400300168 / Hidden Lustration System for BIANCA Universal WC Pan (320mm.)
- 150400300052 / Straight Pipe (optional)
- 150400300017 / Assembly Set for WC Pan and Bidet

SUITABLE SEAT COVER

- 2006100002 / GEDIZ Duroplast Seat Cover
- 2206100002 / GEDIZ Duroplast Seat Cover (anti-bacterial)
- 2026100002 / GEDIZ Duroplast Seat Cover (plastic hinge)
- 2226100002 / GEDIZ Duroplast Seat Cover (plastic hinge) (anti-bacterial)

WEIGHT

18.070 kg.



PRODUCT NAME

6604 / Cistern

STANDARD

TS 823

CISTERN WATER ENTRY

Bottom

SUITABLE MECHANISM

- 102113047 / ECA
- 150400400079 / SEREL

WEIGHT

11.290 kg.

BIANCA

PRODUCT NAME

6606 / P-Trap Close Coupled WC Pan

STANDARD

TS 800 EN 997

ASSEMBLY KIT

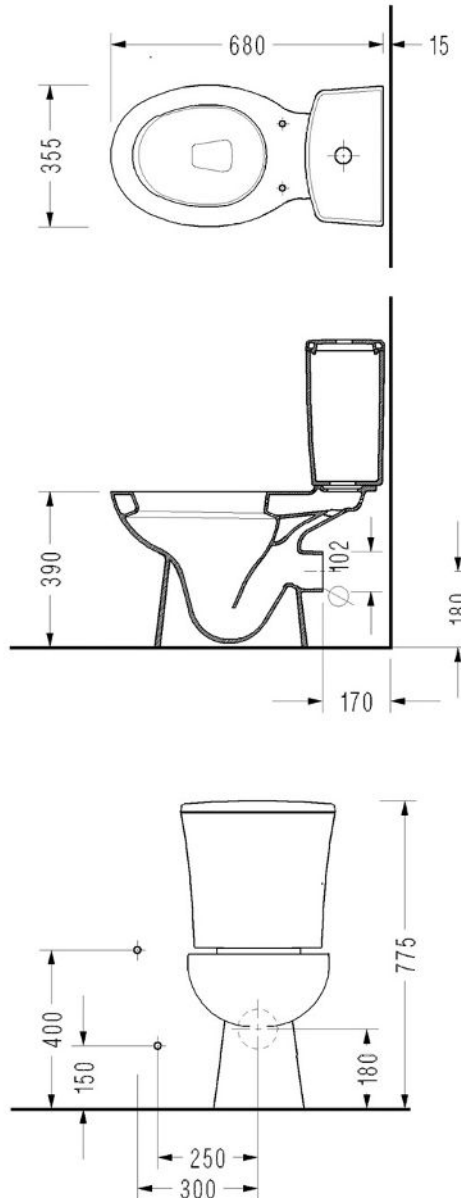
- 150400300217 / BIANCA Assembly Set With Adjustable Strip
- 150400300168 / Hidden Lustration System for BIANCA Universal WC Pan (320mm.)
- 150400300052 / Straight Pipe (optional)
- 150400300017 / Assembly Set for WC Pan and Bidet

SUITABLE SEAT COVER

- 2006100002 / GEDIZ Duroplast WC Pan
- 2206100002 / GEDIZ Duroplast WC Pan (anti-bacterial)
- 2026100002 / GEDIZ Duroplast WC Pan (plastic hinge)
- 2226100002 / GEDIZ Duroplast WC Pan (plastic hinge) (anti-bacterial)

WEIGHT

18.070 kg.



PRODUCT NAME

6648 / Cistern

STANDARD

TS 823

CISTERN WATER ENTRY

Bottom

SUITABLE MECHANISM

- 102113047 / ECA
- 150400400079 / SEREL

WEIGHT

8.500 kg.

BIANCA

PRODUCT NAME

6611 / BTW Single WC Pan

STANDARD

TS 800 EN 997

ASSEMBLY KIT

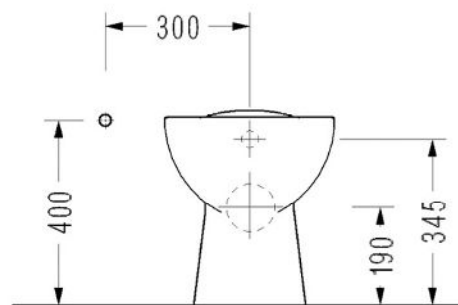
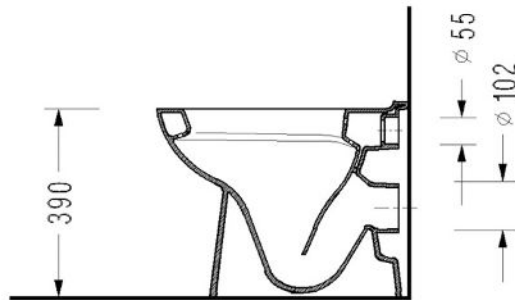
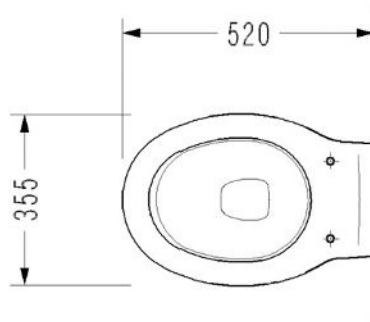
- 150400300001 / Water Inlet Gasket
- 150400300186 / Hidden Lustration System (150mm.)
- 150400300217 / Assembly Set With Adjustable Strip
- 150400300017 / WC Pan and Bidet Semi Pedestal Assembly Kit
- 150400300052 / Straight Pipe

SUITABLE SEAT COVER

- 2006100002 / GEDIZ Duroplast Seat Cover
- 2206100002 / GEDIZ Duroplast Seat Cover (anti-bacterial)
- 2026100002 / GEDIZ Duroplast Seat Cover (plastic hinge)
- 2226100002 / GEDIZ Duroplast Seat Cover (plastic hinge) (anti-bacterial)

WEIGHT

19.460 kg.



LALE



PRODUCT NAME
7601 / Washbasin

STANDARD
TS EN 14688

ASSEMBLY KIT

- 150400300177 / Washbasin Assembly Kit
- 150400300011 / Overflow Ring

SUITABLE PEDESTAL

- 7605 / Full Pedestal
- 7620 / Full Pedestal
- F005 / Full Pedestal
- 7621 / Semi Pedestal

WEIGHT
14.020 kg.

PRODUCT NAME
7605 / Full Pedestal

SUITABLE WASHBASIN

- 7601 / Washbasin
- 7642 / Washbasin
- 7637 / Washbasin

WEIGHT
10.650 kg.

PRODUCT NAME
7621 / Semi Pedestal

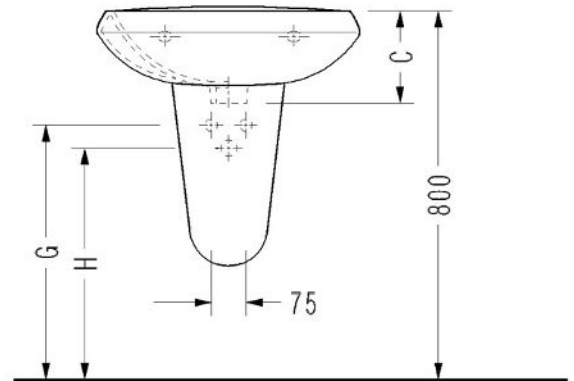
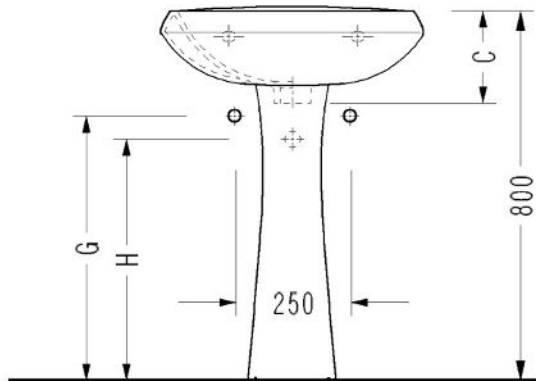
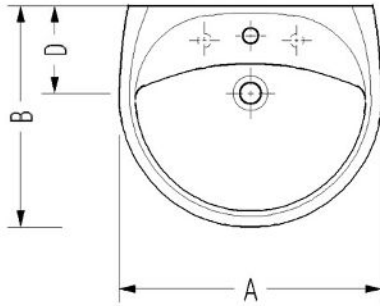
ASSEMBLY KIT

- 150400300017 / WC Pan, Bidet and Semi Pedestal Assembly Kit
- 150400400082 / Spring Type Assembly Kit

SUITABLE WASHBASIN

- 7601 / Washbasin
- 7642 / Washbasin

WEIGHT
6.290 kg.



	A	B	C	D	G	H
7601	570	480	200	190	570	520
7642	650	540	205	200	565	515

PS

G and H dimensions which at technical drawings are for using syphons w/o pop-up. These dimensions should be draw 30mm when using syphons with pop-up.

LALE

PRODUCT NAME
7601 / Washbasin

STANDARD
TS EN 14688

ASSEMBLY KIT

- 150400300177 / Washbasin Assembly Kit
- 150400300011 / Overflow Ring

SUITABLE PEDESTAL

- 7605 / Full Pedestal
- 7620 / Full Pedestal
- F005 / Full Pedestal
- 7621 / Semi Pedestal

WEIGHT
14.020 kg.

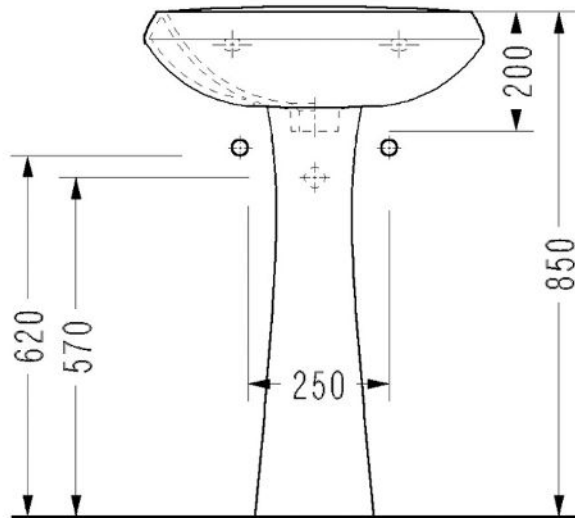
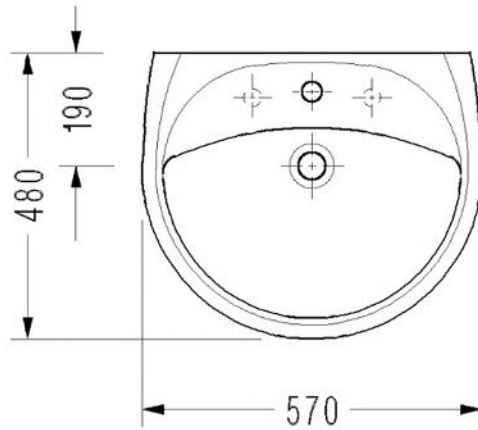


PRODUCT NAME
7620 / Full Pedestal

SUITABLE WASHBASIN

- 7601 / Washbasin

WEIGHT
12.240 kg.



PS
620 and 570 dimensions which at technical drawings are for using syphons w/o pop-up. These dimensions should be draw 30mm when using syphons with pop-up.

LALE



PRODUCT NAME
7642 / Washbasin

STANDARD
TS EN 14688

ASSEMBLY KIT

- 150400300177 / Washbasin Assembly Kit
- 150400300011 / Overflow Ring

SUITABLE PEDESTAL

- 7605 / Full Pedestal
- 7621 / Semi Pedestal

WEIGHT
16.350 kg.

PRPDUCT NAME
7605 / Full Pedestal

SUITABLE WASHBASIN

- 7601 / Washbasin
- 7642 / Washbasin
- 7637 / Washbasin

WEIGHT
10.650 kg.

PRODUCT NAME
7621 / Semi Pedestal

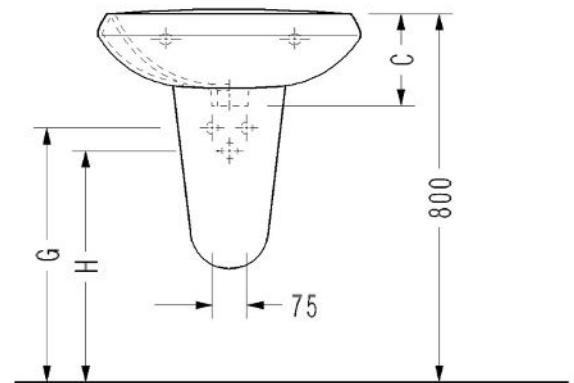
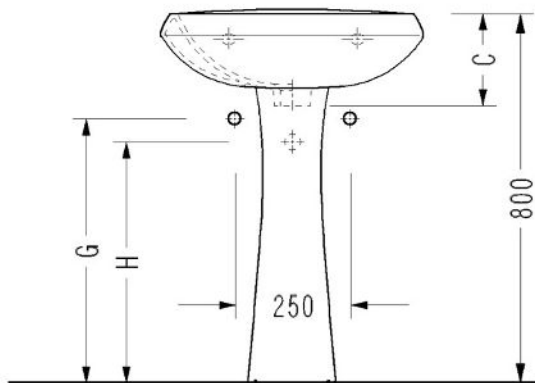
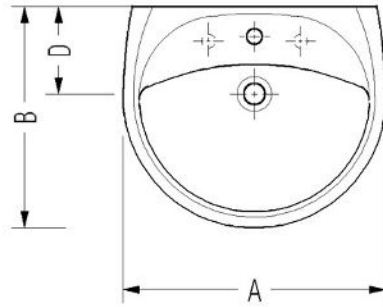
ASSEMBLY KIT

- 150400300017 / WC Pan,Bidet and Semi Pedestal Assembly Kit
- 150400400082 / Spring Type Assembly Kit

SUITABLE WASHBASIN

- 7601 / Washbasin
- 7642 / Washbasin

WEIGHT
6.290 kg.



	A	B	C	D	G	H
7601	570	480	200	190	570	520
7642	650	540	205	200	565	515

PS

G and H dimensions which at technical drawings are for using syphons w/o pop-up. These dimensions should be draw 30mm when using syphons with pop-up.

LALE

PRODUCT NAME
7631 / Washbasin

STANDARD
TSEK

ASSEMBLY KIT

- 150400300177 / Washbasin Assembly Kit
- 150400300011 / Overflow Ring

WEIGHT
24.440 kg.

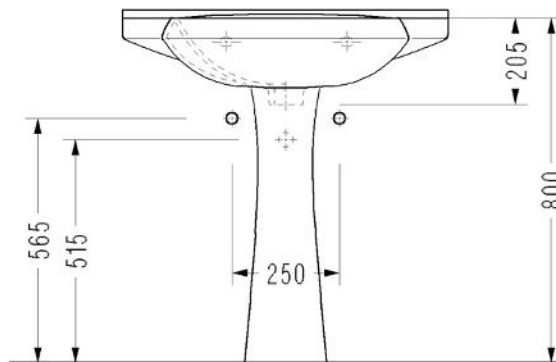
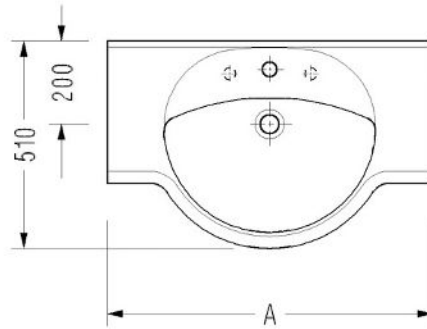


PRODUCT NAME
7621 / Full Pedestal

SUITABLE WASHBASIN

- 7601 / Washbasin
- 7642 / Washbasin
- 7637 / Washbasin

WEIGHT
10.650 kg.



	A
7637	800
(*) 7631	1000

PS
565 and 515 dimensions which at technical drawings are for using syphons w/o pop-up. These dimensions should be draw 30mm when using syphons with pop-up.
(*)7631 coded washbasin in not suitable to use with semi pedestal and full pedestal.

LALE

PRODUCT NAME
7637 / Washbasin

STANDARD
TSEK

ASSEMBLY KIT

- 150400300177 / Washbasin Assembly Kit
- 150400300011 / Overflow Ring

SUITABLE PEDESTAL

- 7605 / Full Pedestal

WEIGHT
23.160 kg.

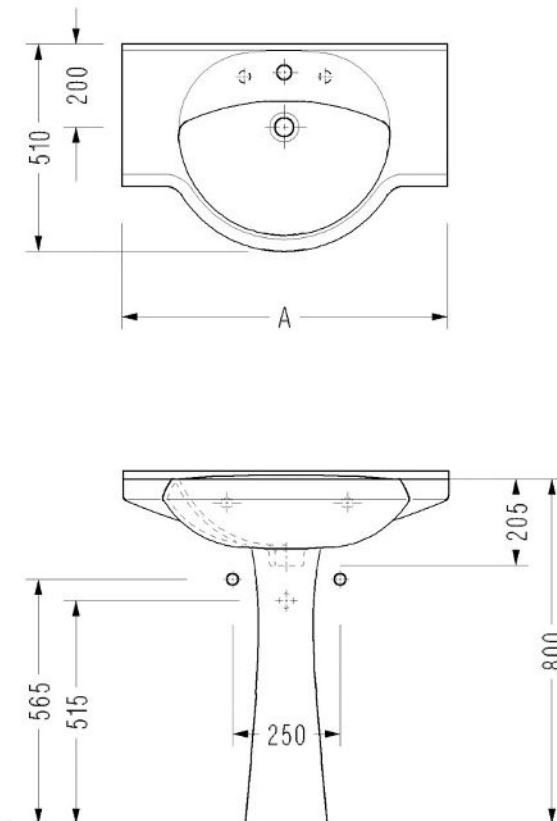


PRODUCT NAME
7621 / Full Pedestal

SUITABLE WASHBASIN

- 7601 / Washbasin
- 7642 / Washbasin
- 7637 / Washbasin

WEIGHT
10.650 kg.



	A
7637	800
(*) 7631	1000

PS

565 and 515 dimensions which at technical drawings are for using syphons w/o pop-up. These dimensions should be draw 30mm when using syphons with pop-up.
 (*)7631 coded washbasin in not suitable to use with semi pedestal and full pedestal.

LALE

PRODUCT NAME
7640 / Washbasin

STANDARD
TS EN 14688

ASSEMBLY KIT
• 150400300177 / Washbasin Assembly Kit
• 150400300011 / Overflow Ring

SUITABLE PEDESTAL
• 7623 / Semi Pedestal

WEIGHT
8.210 kg.

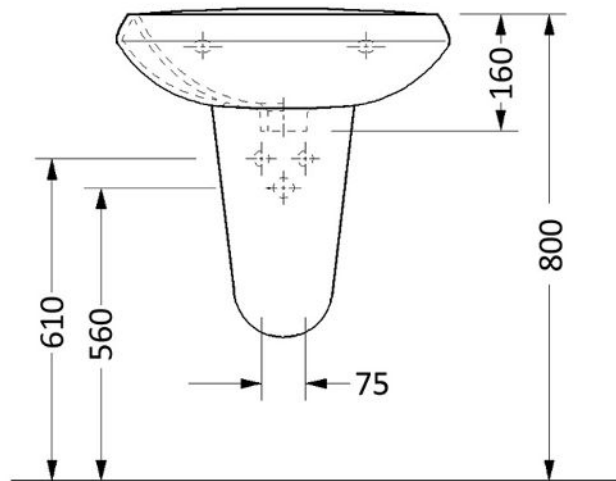
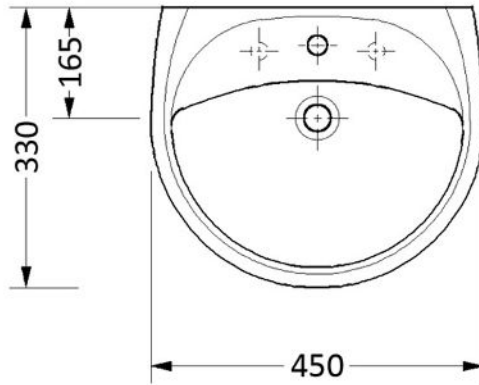


PRODUCT NAME
7623 / Semi Pedestal

ASSEMBLY KIT
• 150400300017 / WC Pan, Bidet, Semi Pedestal Assembly Kit

SUITABLE WASHBASIN
• 7640 / Washbasin

WEIGHT
4.150 kg.



PS
610 and 560 dimensions which at technical drawings are for using syphons w/o pop-up.
These dimensions should be draw 30mm when using syphons with pop-up.

LALE

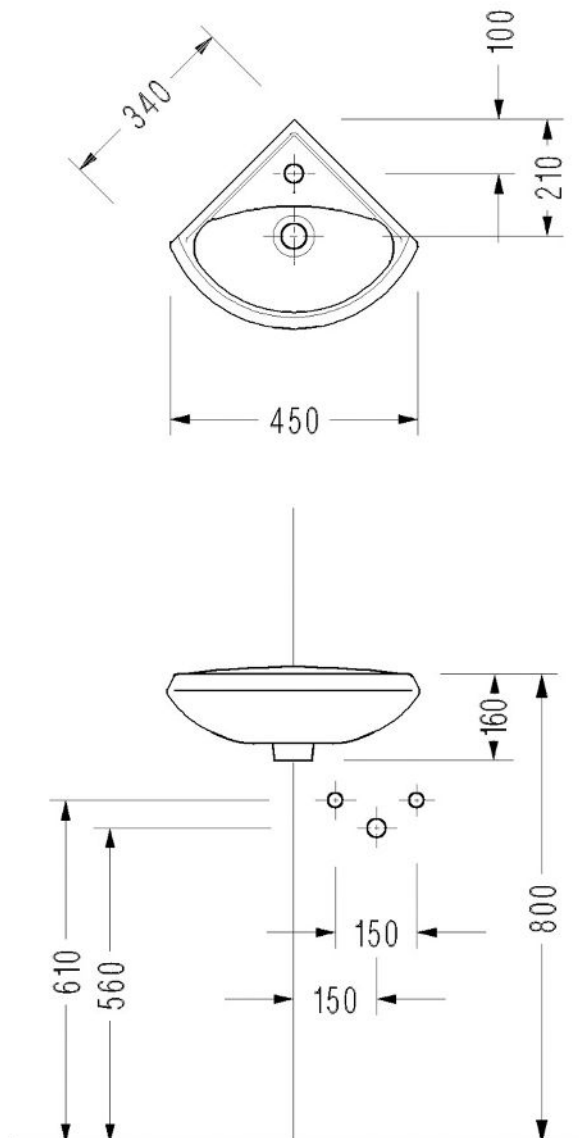
PRODUCT NAME
7636 / Corner Washbasin

STANDARD
TS EN 14688

ASSEMBLY KIT

- 150400300011 / Overflow Ring
- 150400300177 / Washbasin Assembly Kit

WEIGHT
7.310 kg.



PS
610 and 560 dimensions which at technical drawings are for using syphons w/o pop-up.
These dimensions should be draw 30mm when using syphons with pop-up.

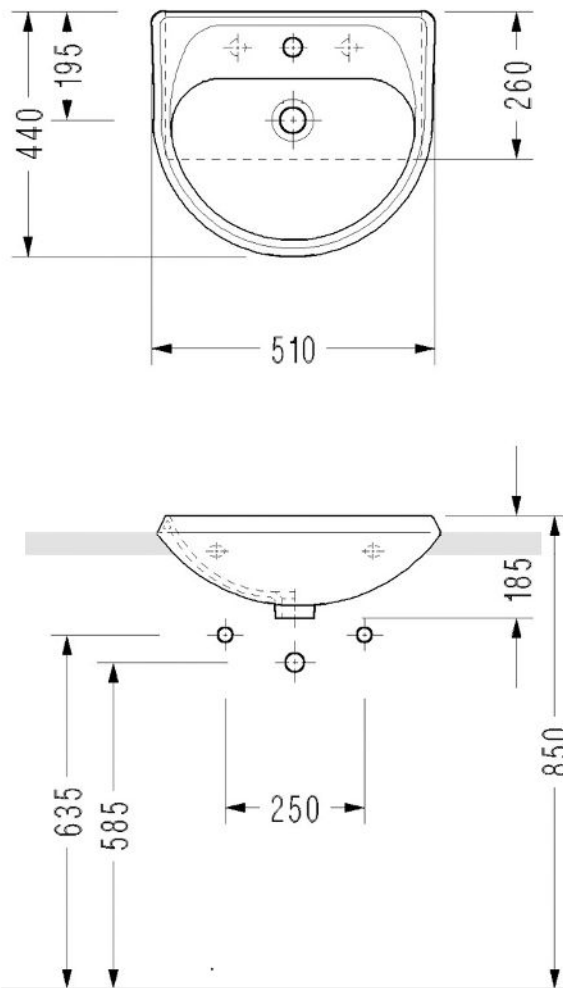
LALE

PRODUCT NAME
7634 / Washbasin

STANDARD
TS EN 14688

ASSEMBLY KIT
• 150400300011 / Overflow Ring

WEIGHT
11.480 kg.



ATTENTION

Pls use the washbasin as template for shelf shaping.

PS

635 and 585 dimensions which at technical drawings are for using syphons w/o pop-up.
These dimensions should be draw 30mm when using syphons with pop-up.

LALE

PRODUCT NAME

7602 / S-Trap Close Coupled WC Pan

STANDARD

TS 800 EN 997

ASSEMBLY KIT

- 150400300017 / WC Pan, Bidet, Semi Pedestal Assembly Kit
- 150400300035 / Eccentric Trap Adapter
- 150400300206 / Hidden Lustration System for S-Trap WC Pan (310mm.)

SUITABLE SEAT COVER

- 2006100002 / GEDIZ Duroplast Seat Cover
- 2206100002 / GEDIZ Duroplast Seat Cover (anti-bacterial)
- 2026100002 / GEDIZ Duroplast Seat Cover (plastic hinge)
- 2226100002 / GEDIZ Duroplast Seat Cover (plastic hinge) (anti-bacterial)

WEIGHT

19.240 kg.



PRODUCT NAME

7648 / Cistern

STANDARD

TS 823

CISTERN WATER ENTRY

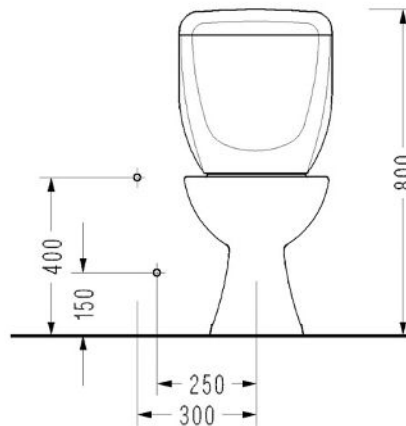
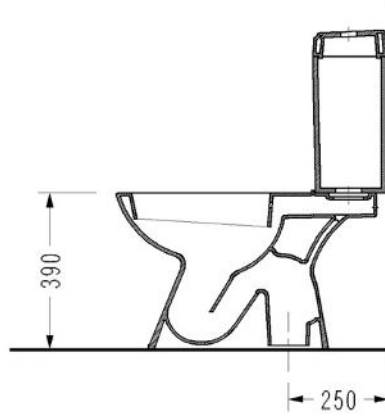
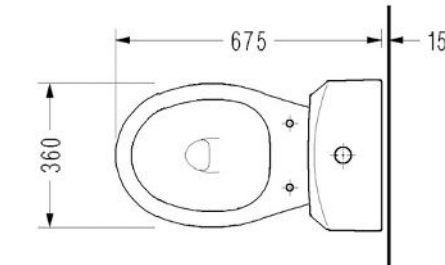
Bottom

SUITABLE MECHANISM

- 102113047 / ECA
- 150400400079 / SEREL

WEIGHT

12.390 kg.



LALE

PRODUCT NAME

7606 / P-Trap Close Coupled WC Pan

STANDARD

TS 800 EN 997

ASSEMBLY KIT

- 150400300017 / WC Pan, Bidet and Semi Pedestal Assembly Kit
- 150400300052 / Straight Pipe (optional)
- 150400300247 / Hidden Lustration System for Universal WC Pan (295mm.)

SUITABLE SEAT COVER

- 2006100002 / GEDIZ Duroplast Seat Cover
- 2206100002 / GEDIZ Duroplast Seat Cover (anti-bacterial)
- 2026100002 / GEDIZ Duroplast Seat Cover (plastic hinge)
- 2226100002 / GEDIZ Duroplast Seat Cover (plastic hinge) (anti-bacterial)

WEIGHT

19.510 kg.



PRODUCT NAME

7648 / Cistern

STANDARD

TS 823

CISTERN WATER ENTRY

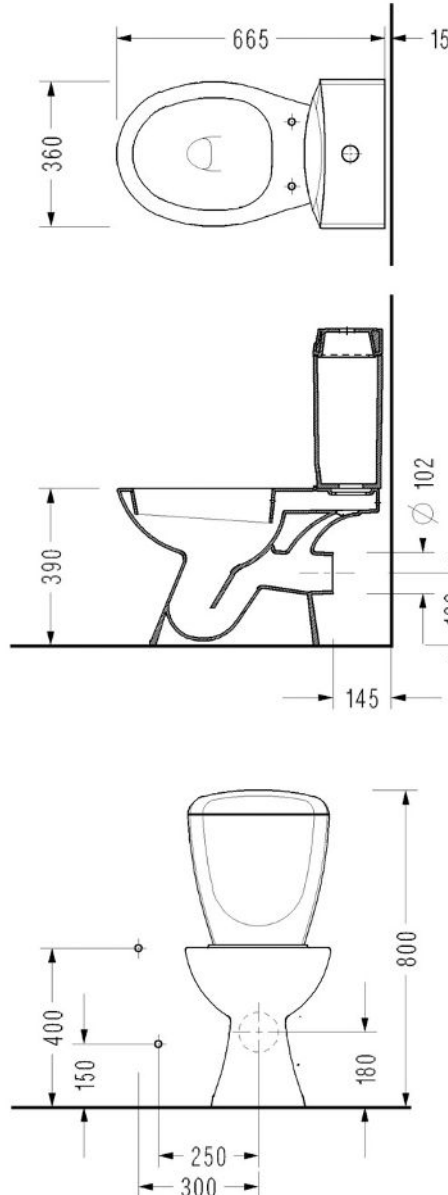
Bottom

SUITABLE MECHANISM

- 102113047 / ECA
- 150400400079 / SEREL

WEIGHT

12.390 kg.



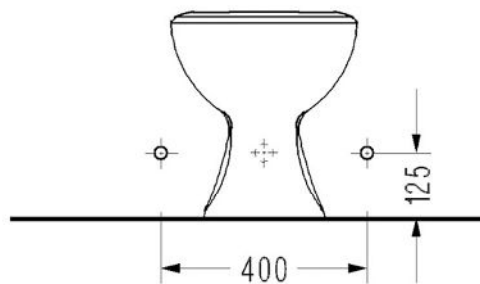
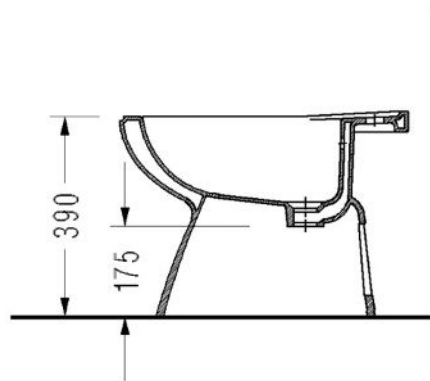
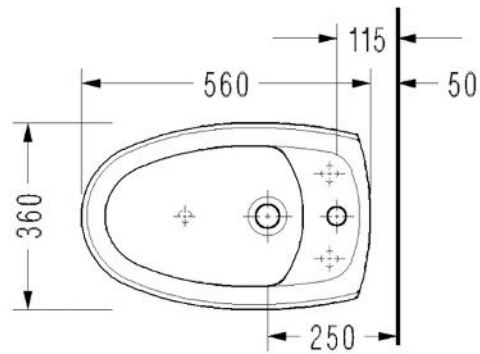
LALE

PRODUCT NAME
7603 / BTW Bidet

STANDARD
TS EN 14528

- ASSEMBLY KIT
- 150400300017 / WC Pan, Bidet and Semi Pedestal Assembly Kit
 - 150400300128 / BTW Bidet Syphon Fixing Rod
 - 150400300129 / BTW Bidet Syphon Fixing Ring
 - 150400300011 / Overflow Ring

WEIGHT
16.710 kg.





FRIENDLY

PRODUCT NAME
6701 / Washbasin

STANDARD
TS EN 14688

ASSEMBLY KIT
• 150400300177 / Washbasin Assembly Kit
• 150400300011 / Overflow Ring

SUITABLE PEDESTAL
• 6705 / Full Pedestal
• 6721 / Semi Pedestal

WEIGHT
10.610 kg.

PRODUCT NAME
6705 / Full Pedestal

SUITABLE WASHBASIN
• 6701 / Washbasin
• 6737 / Washbasin

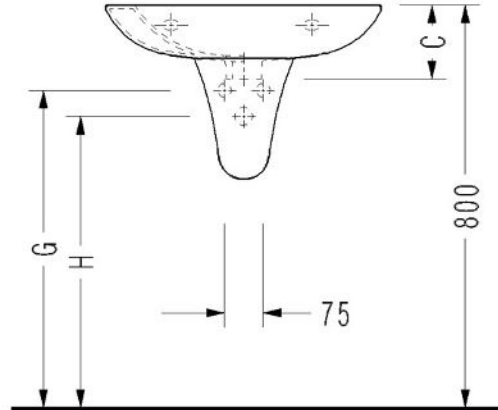
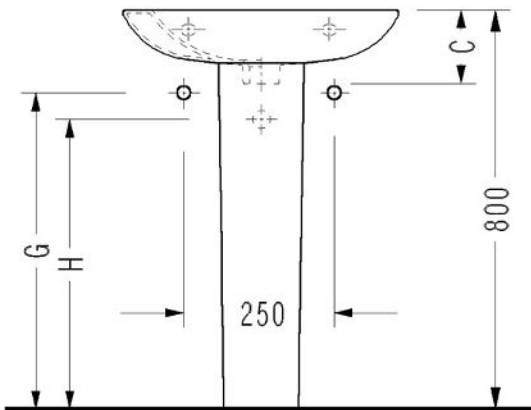
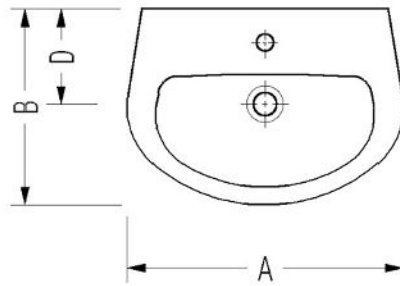
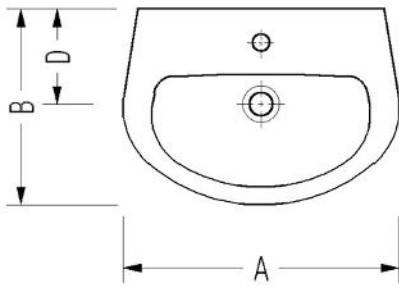
WEIGHT
8.920 kg.

PRODUCT NAME
6721 / Semi Pedestal

ASSEMBLY KIT
• 150400300067 / Hooked System Assembly Kit

SUITABLE WASHBASIN
• 6701 / Washbasin
• 6737 / Washbasin
• 6744 / Washbasin

WEIGHT
3.730 kg.



	A	B	C	D	G	H
(*) 6744	450	320	145	175	625	575
6701	550	390	145	190	625	575
6737	600	435	145	190	625	575

PS

G and H dimensions which at technical drawings are for using syphons w/o pop-up.
These dimensions should be draw 30mm when using syphons with pop-up.

(*)6744 coded washbasin in not suitable to use with full pedestal. It is suitable to use with 6721 coded semi pedestal.

FRIENDLY

PRODUCT NAME
6744 / Washbasin

STANDARD
TS EN 14688

ASSEMBLY KIT
• 150400300177 / Washbasin Assembly Kit
• 150400300011 / Overflow Ring

SUITABLE PEDESTAL
• 6705 / Semi Pedestal

WEIGHT
7.990 kg.



PRODUCT NAME
6705 / Full Pedestal

SUITABLE WASHBASIN
• 6701 / Washbasin
• 6737 / Washbasin

WEIGHT
8.920 kg.

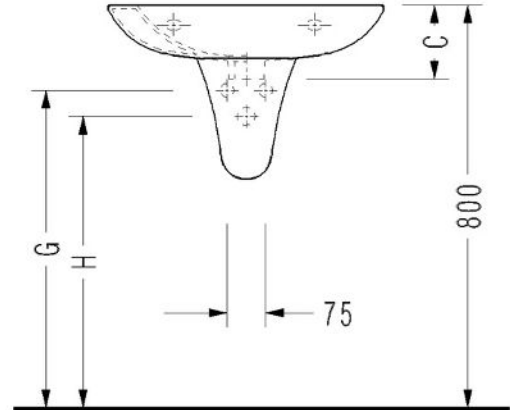
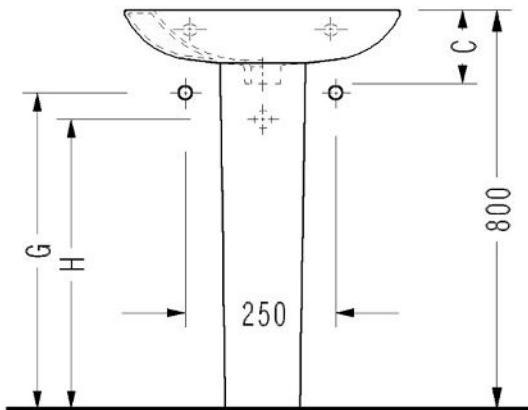
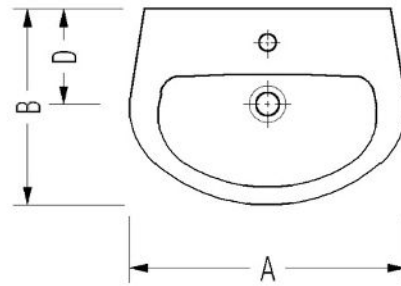
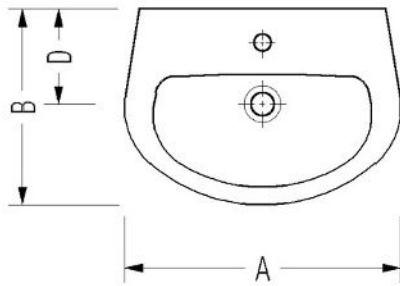


PRODUCT NAME
6721 / Semi Pedestal

ASSEMBLY KIT
• 150400300067 / Hooked System Assembly Kit

SUITABLE WASHBASIN
• 6701 / Washbasin
• 6737 / Washbasin
• 6744 / Washbasin

WEIGHT
3.730 kg.



	A	B	C	D	G	H
(*) 6744	450	320	145	175	625	575
6701	550	390	145	190	625	575
6737	600	435	145	190	625	575

PS

G and H dimensions which at technical drawings are for using syphons w/o pop-up.
These dimensions should be draw 30mm when using syphons with pop-up.

(*)6744 coded washbasin in not suitable to use with full pedestal.It is suitable to use with 6721 coded semi pedestal.



FRIENDLY

PRODUCT NAME
6737 / Washbasin

STANDARD
TS EN 14688

ASSEMBLY KIT
• 150400300177 / Washbasin Assembly Kit
• 150400300011 / Overflow Ring

SUITABLE PEDESTAL
• 6705 / Full Pedestal
• 6721 / Semi Pedestal

WEIGHT
13.370 kg.

PRODUCT NAME
6705 / Full Pedestal

SUITABLE WASHBASIN
• 6701 / Washbasin
• 6737 / Washbasin

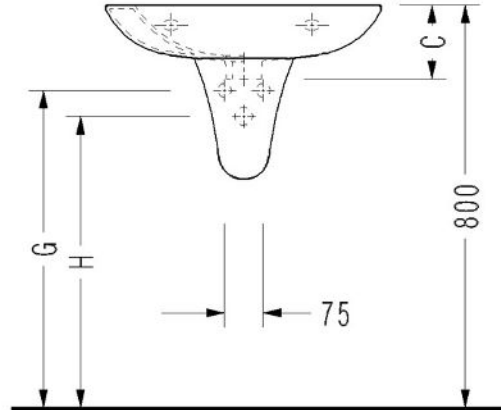
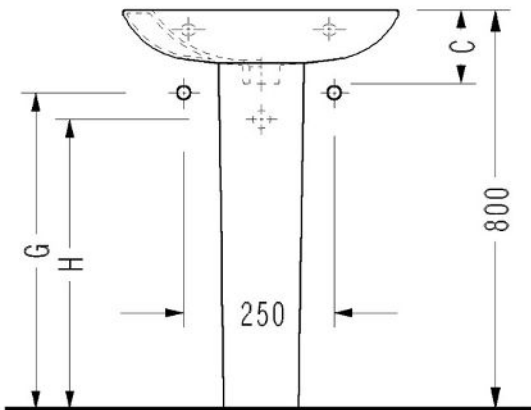
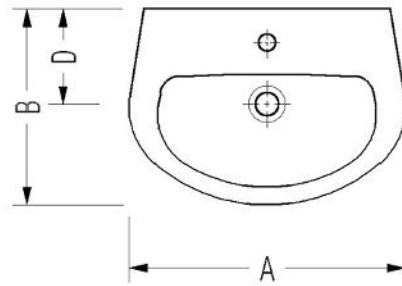
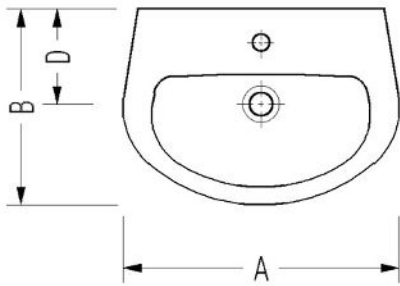
WEIGHT
8.920 kg.

PRODUCT NAME
6721 / Semi Pedestal

ASSEMBLY KIT
• 150400300067 / Hooked System Assembly Kit

SUITABLE WASHBASIN
• 6701 / Washbasin
• 6737 / Washbasin
• 6744 / Washbasin

WEIGHT
3.730 kg.



	A	B	C	D	G	H
(*) 6744	450	320	145	175	625	575
6701	550	390	145	190	625	575
6737	600	435	145	190	625	575

PS

G and H dimensions which at technical drawings are for using syphons w/o pop-up. These dimensions should be draw 30mm when using syphons with pop-up.

(*)6744 coded washbasin in not suitable to use with full pedestal.It is suitable to use with 6721 coded semi pedestal.

FRIENDLY

PRODUCT NAME

6740 / Cloakroom Washbasin

STANDARD

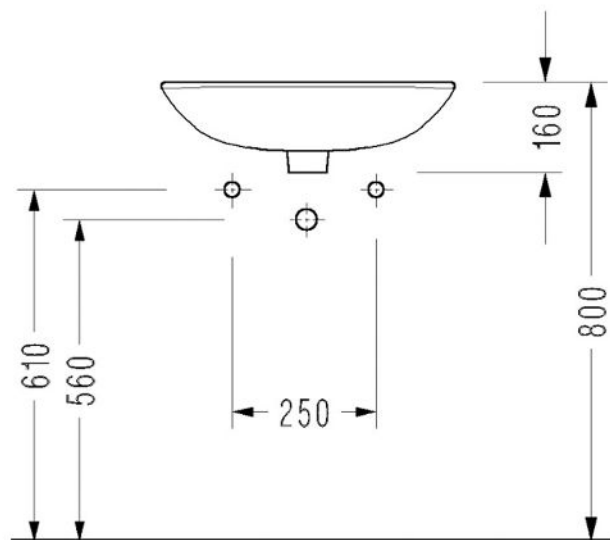
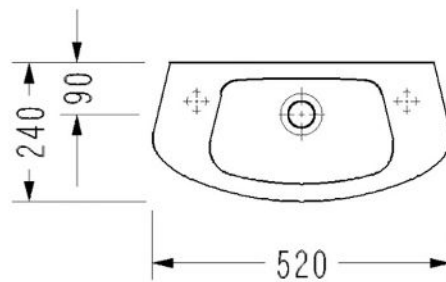
TS EN 14688

ASSEMBLY KIT

- 150400300020 / Grap System Washbasin Assembly Kit
- 150400300011 / Overflow Ring

WEIGHT

7.300 kg.

**PS**

610 and 560 dimensions which at technical drawings are for using syphons w/o pop-up. These dimensions should be draw 30mm when using syphons with pop-up.

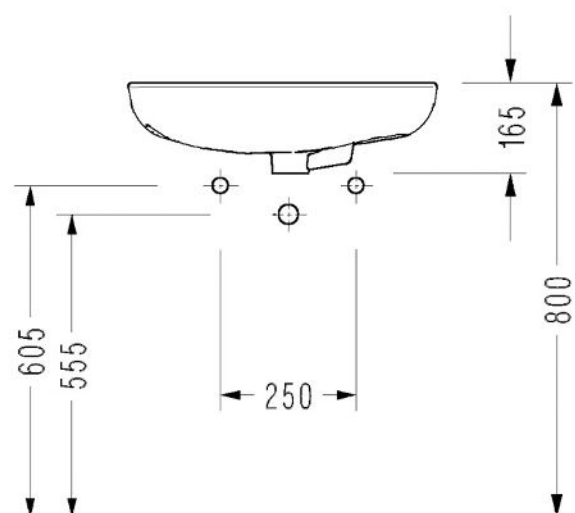
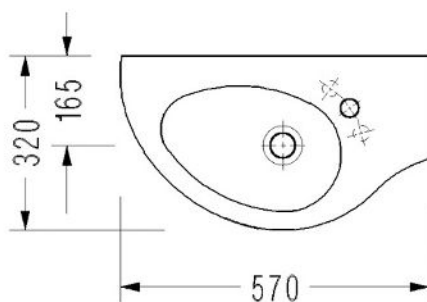
FRIENDLY

PRODUCT NAME
6741 / Offset Washbasin

STANDARD
TS EN 14688

ASSEMBLY KIT
• 150400300177 / Washbasin Assembly Kit
• 150400300011 / Overflow Ring

WEIGHT
9.540 kg.



PS
605 and 555 dimensions which at technical drawings are for using syphons w/o pop-up.
These dimensions should be draw 30mm when using syphons with pop-up.

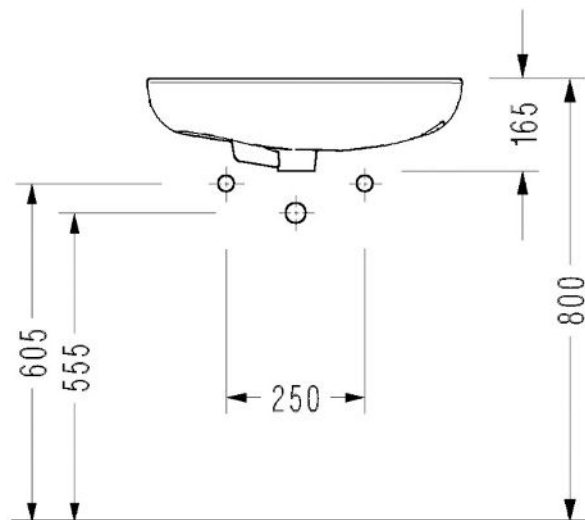
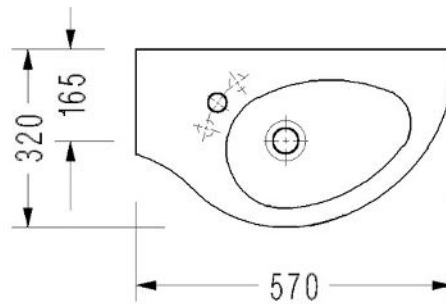
FRIENDLY

PRODUCT NAME
6742 / Offset Washbasin

STANDARD
TS EN 14688

ASSEMBLY KIT
• 150400300177 / Washbasin Assembly Kit
• 150400300011 / Overflow Ring

WEIGHT
9.820 kg.



PS

605 and 555 dimensions which at technical drawings are for using syphons w/o pop-up. These dimensions should be draw 30mm when using syphons with pop-up.

FRIENDLY

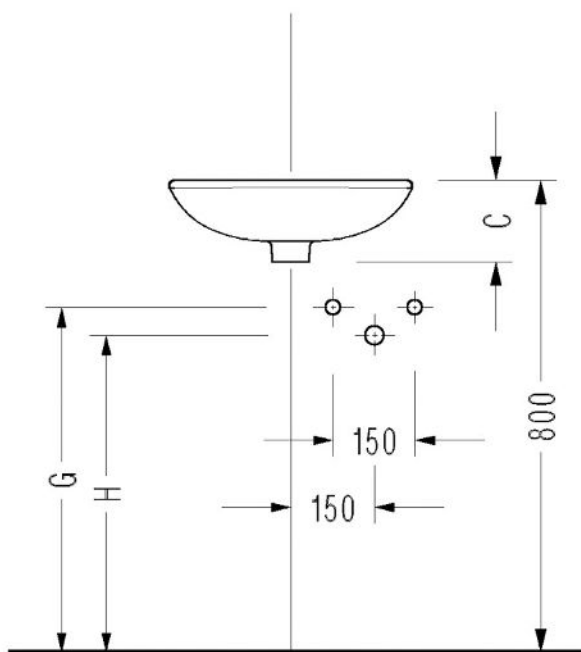
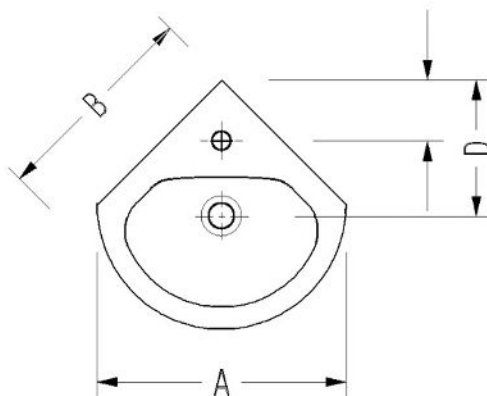
PRODUCT NAME
6736 / Corner Washbasin

STANDARD
TS EN 14688

ASSEMBLY KIT

- 150400300177 / Washbasin Assembly Kit
- 150400300011 / Overflow Ring

WEIGHT
8.350 kg.



	A	B	C	D	G	H	I
6736	450	385	150	245	620	570	110
6743	550	470	165	300	605	555	145

PS
G and H dimensions which at technical drawings are for using syphons w/o pop-up.
These dimensions should be draw 30mm when using syphons with pop-up.

FRIENDLY

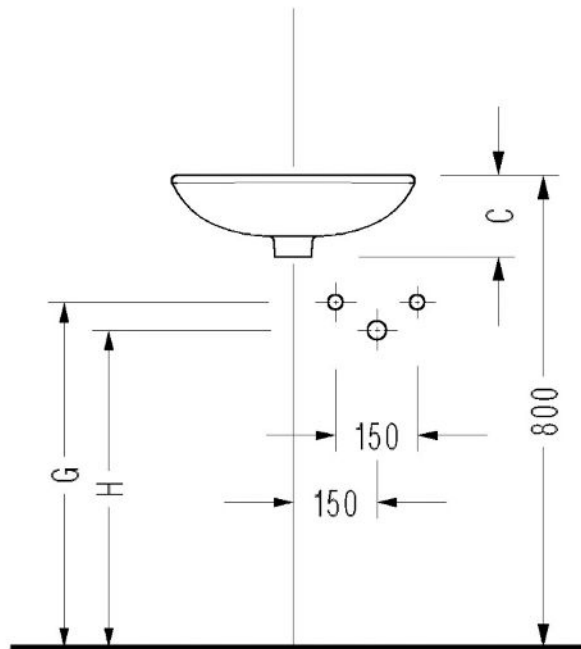
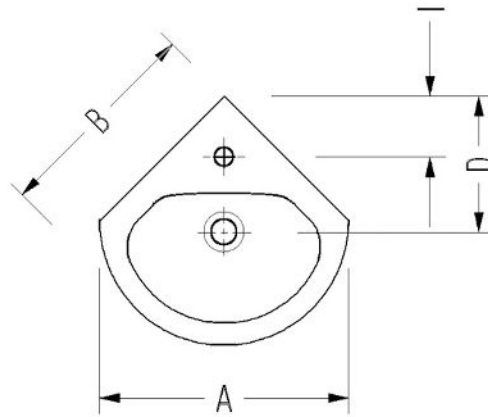
PRODUCT NAME
6743 / Corner Washbasin

STANDARD
TS EN 14688

ASSEMBLY KIT

- 150400300177 / Washbasin Assembly Kit
- 150400300011 / Overflow Ring

WEIGHT
11.980 kg.



	A	B	C	D	G	H	I
6736	450	385	150	245	620	570	110
6743	550	470	165	300	605	555	145

PS

G and H dimensions which at technical drawings are for using syphons w/o pop-up. These dimensions should be draw 30mm when using syphons with pop-up.

FRIENDLY

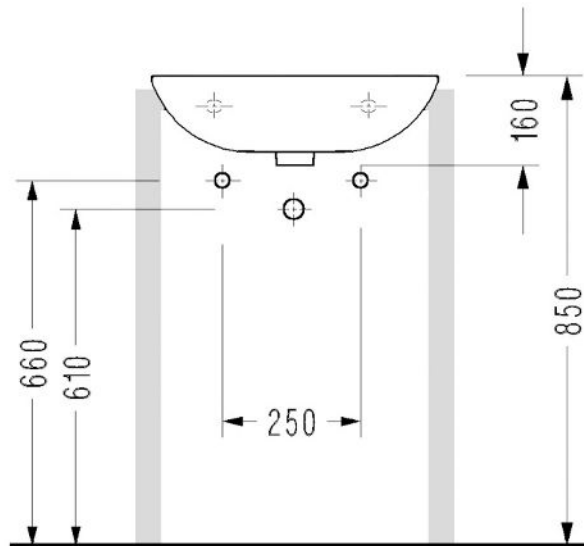
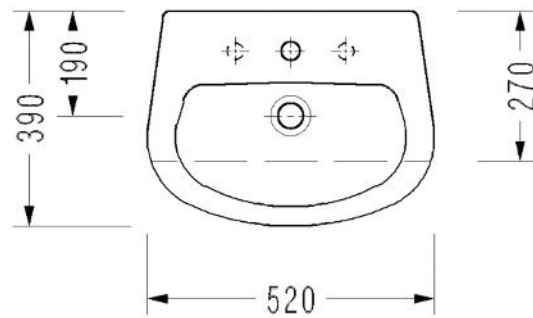


PRODUCT NAME
6734 / Washbasin

STANDARD
TS EN 14688

ASSEMBLY KIT
• 150400300011 / Overflow Ring

WEIGHT
10.910 kg.



ATTENTION

Pls use product as template when shaping the shelf.

PS

635 and 585 dimensions which at technical drawings are for using syphons w/o pop-up. These dimensions should be draw 30mm when using syphons with pop-up.

FRIENDLY



PRODUCT NAME

6710 / Wall Hung WC Pan

STANDARD

TS 800 EN 997

ASSEMBLY KIT

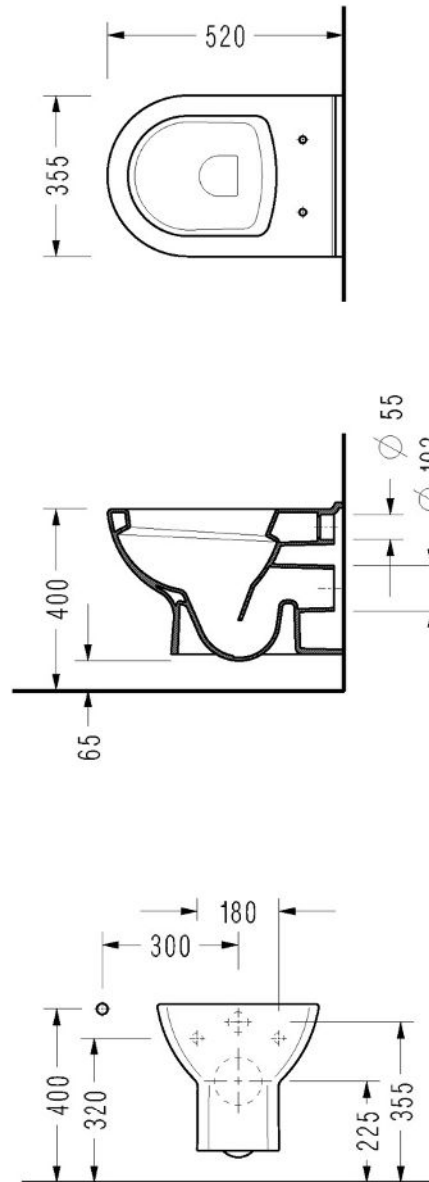
- 150400300173 / Wall Hung WC Pan Built-in Lustration System (90mm.)
- 150400300250 / 3/8" Connection Adapter

SUITABLE SEAT COVER

- 2036001002 / SPIL SilentClose Duroplast Seat Cover
- 2236001002 / SPIL SilentClose Duroplast Seat Cover (anti-bacterial)
- 2006001002 / SPIL Duroplast Seat Cover
- 2206001002 / SPIL Duroplast Seat Cover (anti-bacterial)

WEIGHT

21.670 kg.



FRIENDLY

PRODUCT NAME

6702 / S-Trap Close Couple WC Pan

STANDARD

TS 800 EN 997

ASSEMBLY KIT

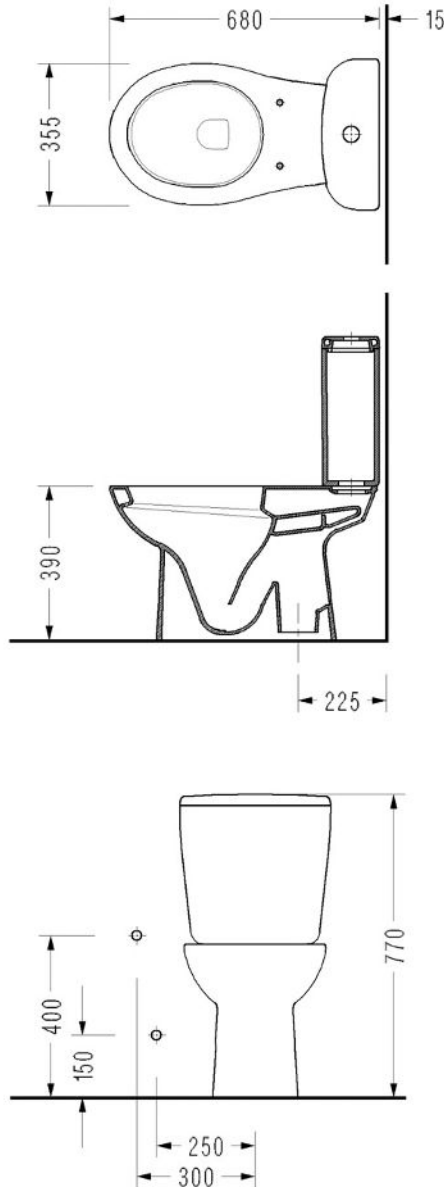
- 150400300217 / Hidden Lustration System
- 150400300035 / Eccentric Trap Adapter
- 150400300247 / 295mm. Hidden Lustration Pipe

SUITABLE SEAT COVER

- 2006100002 / GEDIZ Duroplast Seat Cover
- 2206100002 / GEDIZ Duroplast Seat Cover (anti-bacterial)
- 2026100002 / GEDIZ Duroplast Seat Cover (plastic hinge)
- 2226100002 / GEDIZ Duroplast Seat Cover (plastic hinge) (anti-bacterial)

WEIGHT

19.940 kg.



PRODUCT NAME

6704 / Cistern

STANDARD

TS 823

CISTERN WATER ENTRY

Bottom

SUITABLE MECHANISM

- 102113047 / ECA
- 150400400079 / SEREL

WEIGHT

11.020 kg.

FRIENDLY

PRODUCT NAME

6702 / S-Trap Close Couple WC Pan

STANDARD

TS 800 EN 997

ASSEMBLY KIT

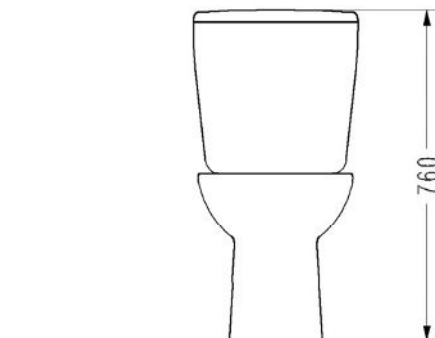
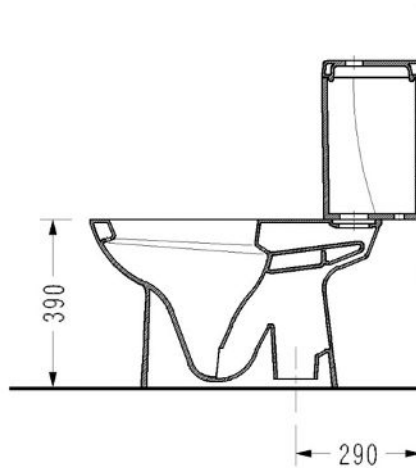
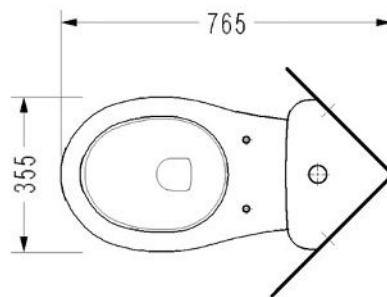
- 150400300217 / Assembly Set with Adjustable Strip
- 150400300035 / Eccentric Trap Adapter
- 150400300247 / 295mm. Hidden Lustration System

SUITABLE SEAT COVER

- 2006100002 / GEDIZ Duroplast Seat Cover
- 2206100002 / GEDIZ Duroplast Seat Cover (anti-bacterial)
- 2026100002 / GEDIZ Duroplast Seat Cover (plastic hinge)
- 2226100002 / GEDIZ Duroplast Seat Cover (plastic hinge) (anti-bacterial)

WEIGHT

19.940 kg.



PRODUCT NAME

6724 / Cistern

STANDARD

TS 823

CISTERN WATER ENTRY

Bottom

SUITABLE MECHANISM

- 102113047 / ECA
- 150400400079 / SEREL

WEIGHT

10.400 kg.

FRIENDLY

PRODUCT NAME
6706 / P-Trap Close Coupled WC Pan

STANDARD
TS 800 EN 997

ASSEMBLY KIT

- 150400300217 / Assembly Set with Adjustable Strip
- 150400300305 / 265mm. Hidden Lustration System
- 150400300052 / Straight Pipe

SUITABLE SEAT COVER

- 2006100002 / GEDIZ Duroplast Seat Cover
- 2206100002 / GEDIZ Duroplast Seat Cover (anti-bacterial)
- 2026100002 / GEDIZ Duroplast Seat Cover (plastic hinge)
- 2226100002 / GEDIZ Duroplast Seat Cover (plastic hinge) (anti-bacterial)

WEIGHT
19.500 kg.



PRODUCT NAME
6704 / Cistern

STANDARD
TS 823

CISTERN WATER ENTRY
Bottom

SUITABLE MECHANISM

- 102113047 / ECA
- 150400400079 / SEREL

WEIGHT
11.020 kg.

KRIZANTEM

PRODUCT NAME
5801 / Washbasin

STANDARD
TS EN 14688

ASSEMBLY KIT

- 150400300177 / Washbasin Assembly Set
- 150400300011 / Overflow Ring

SUITABLE PEDESTAL

- 5805 / Full Pedestal

WEIGHT
16.090 kg.

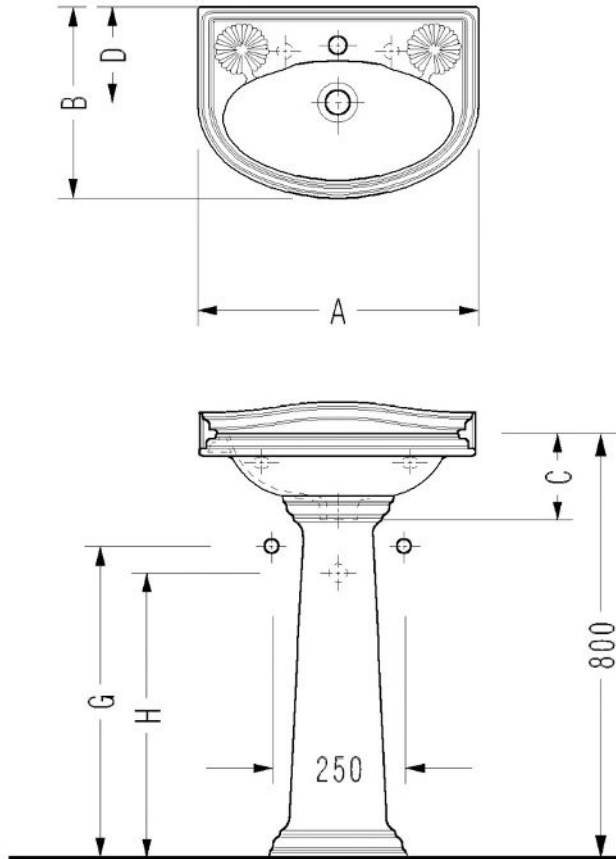


PRODUCT NAME
5805 / Full Pedestal

SUITABLE WASHBASIN

- 5840 / Washbasin
- 5843 / Washbasin
- 5841 / Washbasin
- 5801 / Washbasin

WEIGHT
10.790 kg.



	A	B	C	D	G	H
5840	530	360	180	190	585	535
5843	530	450	195	210	575	525
5841	530	450	195	210	575	525
5801	630	480	195	210	575	525

PS
G and H dimensions which at technical drawings are for using syphons w/o pop-up.
These dimensions should be draw 30mm when using syphons with pop-up.

KRIZANTEM

PRODUCT NAME
5840 / Washbasin

STANDARD
TS EN 14688

ASSEMBLY KIT

- 150400300177 / Washbasin Assembly Set
- 150400300011 / Overflow Ring

SUITABLE PEDESTAL

- 5805 / Full Pedestal

WEIGHT
11.410 kg.

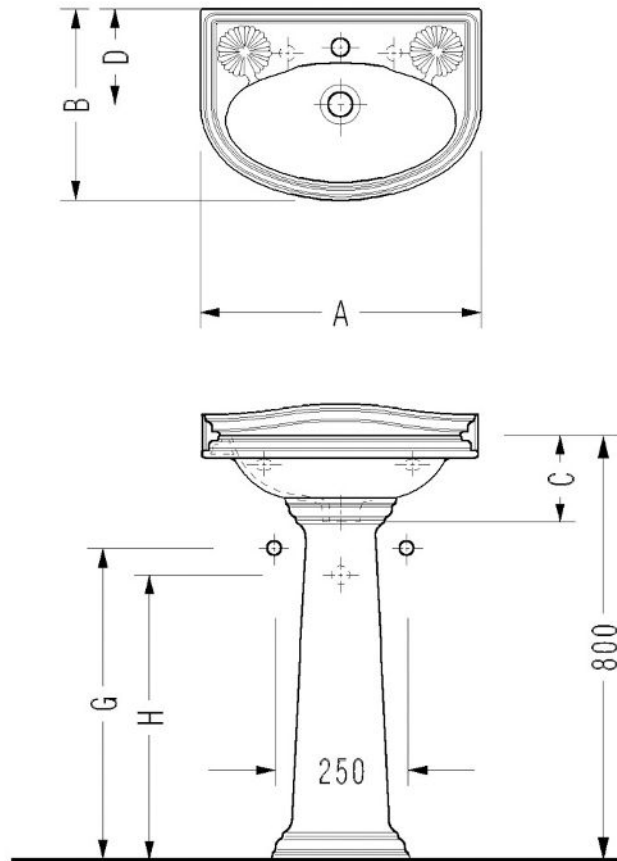


PRODUCT NAME
5805 / Full Pedestal

SUITABLE WASHBASIN

- 5840 / Washbasin
- 5843 / Washbasin
- 5841 / Washbasin
- 5801 / Washbasin

WEIGHT
10.790 kg.



	A	B	C	D	G	H
5840	530	360	180	190	585	535
5843	530	450	195	210	575	525
5841	530	450	195	210	575	525
5801	630	480	195	210	575	525

PS
G and H dimensions which at technical drawings are for using syphons w/o pop-up.
These dimensions should be draw 30mm when using syphons with pop-up.

KRIZANTEM

PRODUCT NAME
5843 / Washbasin

STANDARD
TS EN 14688

ASSEMBLY KIT
• 150400300177 / Washbasin Assembly Kit
• 150400300011 / Overflow Ring

SUITABLE PEDESTAL
• 5805 / Full Pedestal

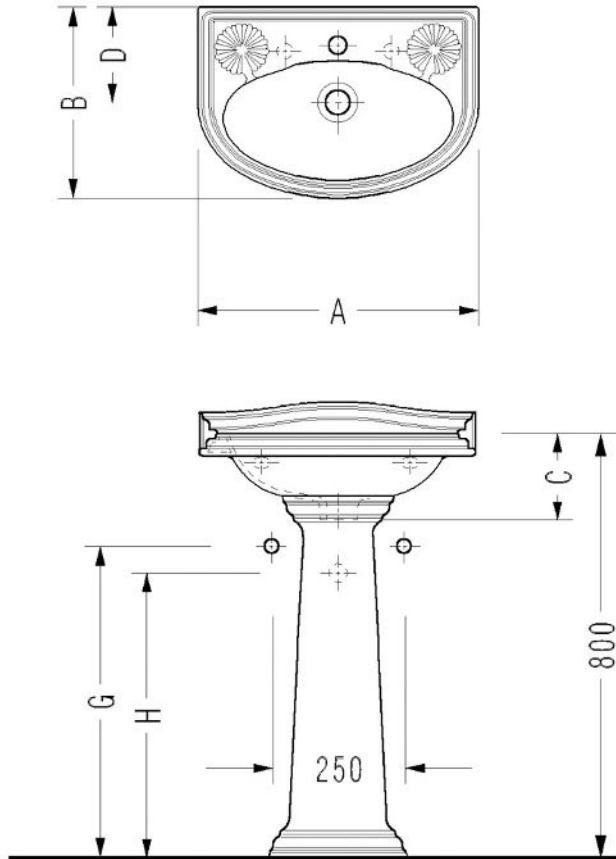
WEIGHT
14.220 kg.



PRODUCT NAME
5805 / Full Pedestal

SUITABLE WASHBASIN
• 5840 / Washbasin
• 5843 / Washbasin
• 5841 / Washbasin
• 5801 / Washbasin

WEIGHT
10.790 kg.



	A	B	C	D	G	H
5840	530	360	180	190	585	535
5843	530	450	195	210	575	525
5841	530	450	195	210	575	525
5801	630	480	195	210	575	525

PS
G and H dimensions which at technical drawings are for using syphons w/o pop-up.
These dimensions should be draw 30mm when using syphons with pop-up.

KRIZANTEM

PRODUCT NAME
5841 / Washbasin

STANDARD
TS EN 14688

ASSEMBLY KIT

- 150400300177 / Washbasin Assembly Set
- 150400300011 / Overflow Ring

SUITABLE PEDESTAL

- 5805 / Full Pedestal

WEIGHT
14.800 kg.

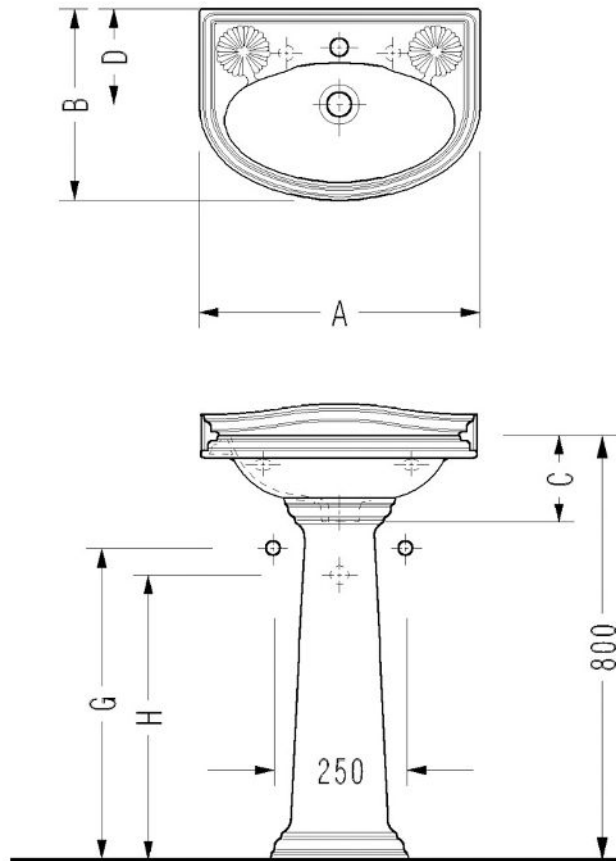


PRODUCT NAME
5805 / Full Pedestal

SUITABLE WASHBASIN

- 5840 / Washbasin
- 5843 / Washbasin
- 5841 / Washbasin
- 5801 / Washbasin

WEIGHT
10.790 kg.



	A	B	C	D	G	H
5840	530	360	180	190	585	535
5843	530	450	195	210	575	525
5841	530	450	195	210	575	525
5801	630	480	195	210	575	525

PS
G and H dimensions which at technical drawings are for using syphons w/o pop-up.
These dimensions should be draw 30mm when using syphons with pop-up.

KRIZANTEM

PRODUCT NAME

5802 / S-Trap Close Couple WC Pan

STANDARD

TS 800 EN 997

ASSEMBLY KIT

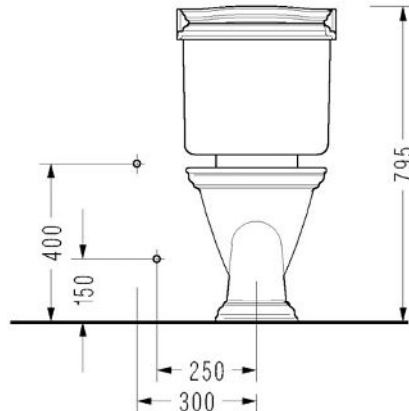
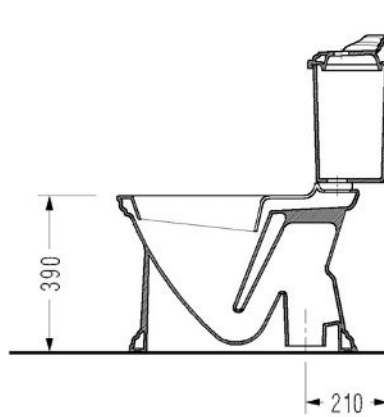
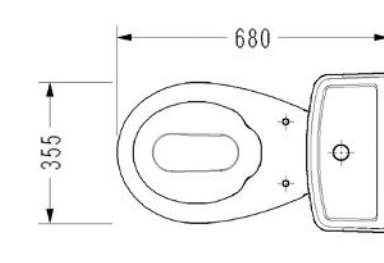
- 150400300017 / WC Pan, Bidet and Semi Pedestal Assembly Set
- 150400300035 / Eccentric Trap Adapter
- 150400300081 / Hidden Lustration System (250mm.)

SUITABLE SEAT COVER

- 2006100002 / GEDIZ Duroplast Seat Cover
- 2206100002 / GEDIZ Duroplast Seat Cover (anti-bacterial)
- 2026100002 / GEDIZ Duroplast Seat Cover (plastic hinge)
- 2226100002 / GEDIZ Duroplast Seat Cover (plastic hinge) (anti-bacterial)
- 2006400002 / KIBELE Duroplast Seat Cover
- 2206400002 / KIBELE Duroplast Seat Cover (anti-bacterial)

WEIGHT

18.040 kg.



PRODUCT NAME

5804 / Cistern

STANDARD

TS 823

CISTERN WATER ENTRY

Bottom

SUITABLE MECHANISM

- 102113047 / ECA
- 102113045 / ECA

WEIGHT

12.160 kg.

KRIZANTEM

PRODUCT NAME

5802 / S-Trap Close Coupled WC Pan

STANDARD

TS 800 EN 997

ASSEMBLY KIT

- 150400300017 / WC Pan, Bidet ve Semi Pedestal Assembly Set
- 150400300035 / Eccentric Trap Adapter
- 150400300081 / Hidden Lustration System (250mm.)

SUITABLE SEAT COVER

- 2006100002 / GEDIZ Duroplast Seat Cover
- 2206100002 / GEDIZ Duroplast Seat Cover (anti-bacterial)
- 2026100002 / GEDIZ Duroplast Seat Cover (plastic hinge)
- 2226100002 / GEDIZ Duroplast Seat Cover (plastic hinge) (anti-bacterial)
- 2006400002 / KIBELE Duroplast Seat Cover
- 2206400002 / KIBELE Duroplast Seat Cover (anti-bacterial)

WEIGHT

18.040 kg.



PRODUCT NAME

5824 / Cistern

STANDARD

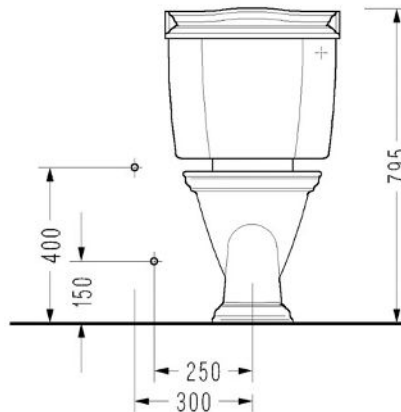
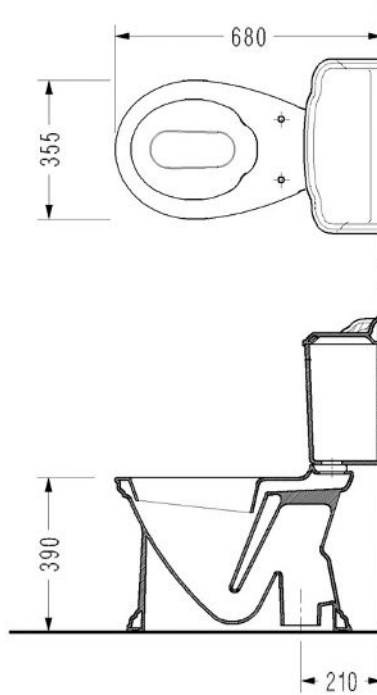
TS 823

CISTERN WATER ENTRY

Bottom

WEIGHT

14.490 kg.



KRIZANTEM

PRODUCT NAME

5802 / S-Trap Close Couple WC Pan

STANDARD

TS 800 EN 997

ASSEMBLY KIT

- 150400300017 / WC Pan, Bidet and Semi Pedestal Assembly Set
- 150400300035 / Eccentric Trap Adapter
- 150400300081 / Hidden Lustration System (250mm.)

SUITABLE SEAT COVER

- 2006100002 / GEDIZ Duroplast Seat Cover
- 2206100002 / GEDIZ Duroplast Seat Cover (anti-bacterial)
- 2026100002 / GEDIZ Duroplast Seat Cover (plastic hinge)
- 2226100002 / GEDIZ Duroplast Seat Cover (plastic hinge) (anti-bacterial)

WEIGHT

18.040 kg.

**PRODUCT NAME**

5829 / CISTERN

STANDARD

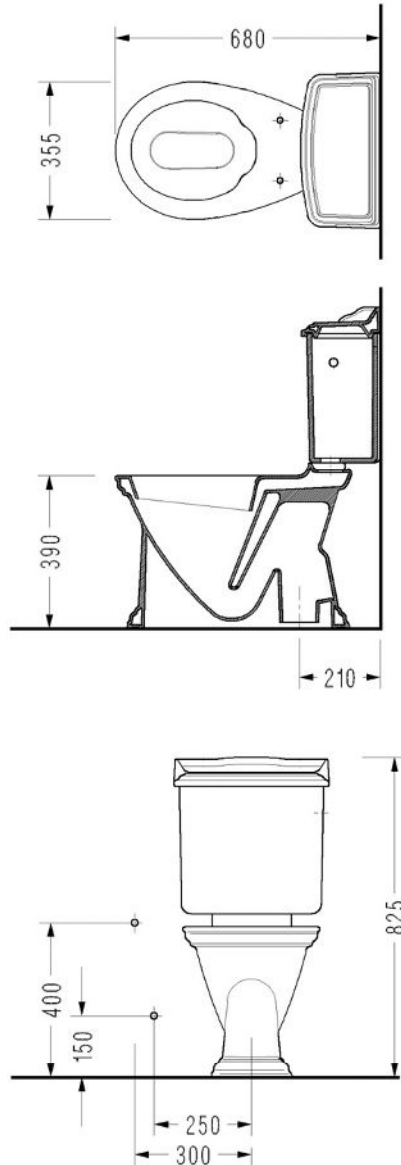
TS 823

CISTERN WATER ENTRY

Bottom

WEIGHT

12.980 kg.



KRIZANTEM

PRODUCT NAME

5806 / P-Trap Close Coupled WC Pan

STANDARD

TS 800 EN 997

ASSEMBLY KIT

- 150400300017 / WC Pan, Bidet and Semi Pedestal Assembly Set
- 150400300081 / Hidden Lustration System (250mm.)

SUITABLE SEAT COVER

- 2006100002 / GEDIZ Duroplast Seat Cover
- 2206100002 / GEDIZ Duroplast Seat Cover (anti-bacterial)
- 2026100002 / GEDIZ Duroplast Seat Cover (plastic hinge)
- 2226100002 / GEDIZ Duroplast Seat Cover (plastic hinge) (anti-bacterial)

WEIGHT

16.580 kg.



PRODUCT NAME

5804 / CISTERN

STANDARD

TS 823

CISTERN WATER ENTRY

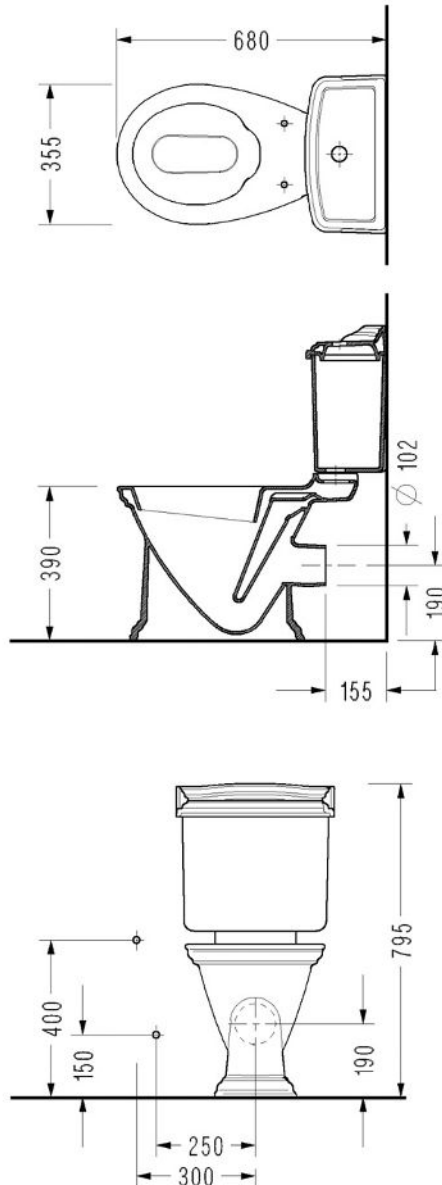
Bottom

SUITABLE INTERNAL SET

- 102113047 / ECA
- 102113045 / ECA

WEIGHT

12.160 kg.



KRIZANTEM

PRODUCT NAME
5806 / P-Trap Close Coupled WC Pan

STANDARD
TS 800 EN 997

ASSEMBLY KIT

- 150400300017 / WC Pan, Bidet and Semi Pedestal Assembly Set
- 150400300081 / Hidden Lustration System (250mm.)

SUITABLE SEAT COVER

- 2006100002 / GEDIZ Duroplast Seat Cover
- 2206100002 / GEDIZ Duroplast Seat Cover (anti-bacterial)
- 2026100002 / GEDIZ Duroplast Seat Cover (plastic hinge)
- 2226100002 / GEDIZ Duroplast Seat Cover (plastic hinge) (anti-bacterial)

WEIGHT
16.580 kg.

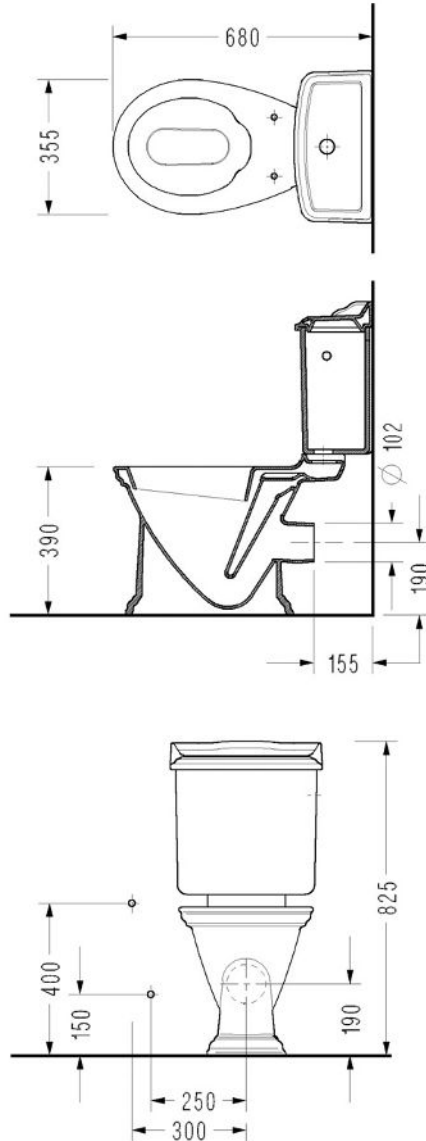


PRODUCT NAME
5829 / Cistern

STANDARD
TS 823

CISTERN WATER ENTRY
Bottom

WEIGHT
12.980 kg.



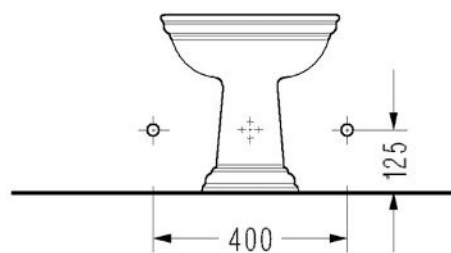
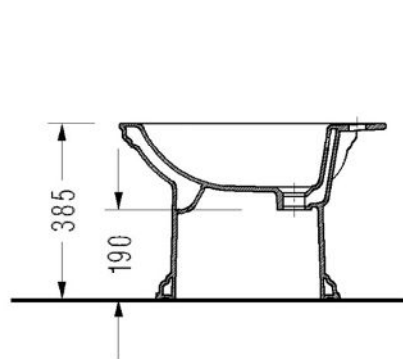
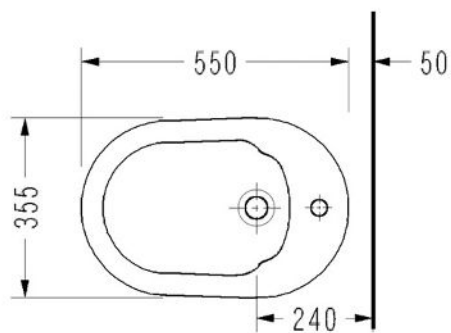
KRIZANTEM

PRODUCT NAME
5803 / BTW Bidet

STANDARD
TS EN 14528

ASSEMBLY KIT
• 150400300017 / WC Pan, Bidet and Semi Pedestal Assembly Set (2 Pcs)
• 150400300011 / Overflow Ring

WEIGHT
13.670 kg.



ANEMON

PRODUCT NAME
5301 / Washbasin

STANDARD
TS EN 14688

ASSEMBLY KIT

- 150400300177 / Washbasin Assembly Set
- 150400300011 / Overflow Ring

SUITABLE PEDESTAL

- 5305 / Full Pedestal
- F005 / Full Pedestal
- 5321 / Semi Pedestal
- 5323 / Semi Pedestal

WEIGHT
14.390 kg.



PRODUCT NAME

- 5305 / Full Pedestal
- 5321 / Semi Pedestal
- 5323 / Semi Pedestal

ASSEMBLY KIT

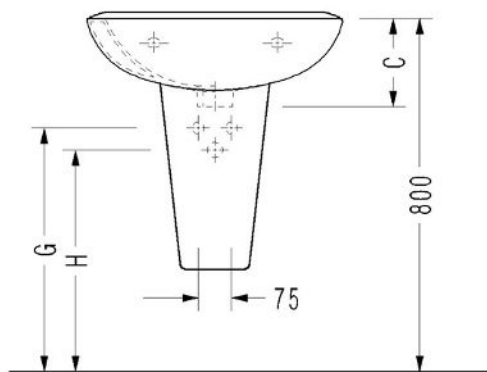
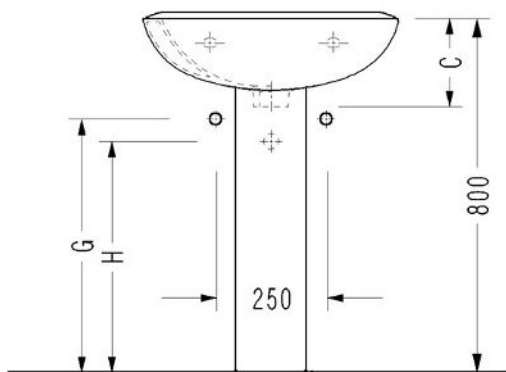
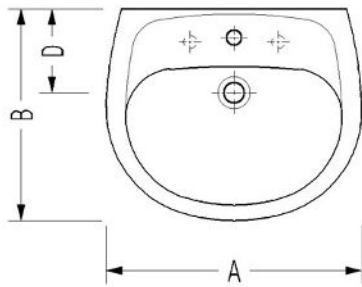
- 150400300017 / WC Pan, Bidet and Semi Pedestal Assembly Set

SUITABLE WASHBASIN

- 5301 / Washbasin

WEIGHT

- 5305 / 10.090 kg.
- 5321 / 7.190 kg.
- 5323 / 4.350 kg.



	A	B	C	D	G	H
5301	580	480	195	190	575	525
*5340	450	350	160	160	610	560

PS
G and H dimensions which at technical drawings are for using syphons w/o pop-up.
These dimensions should be draw 30mm when using syphons with pop-up.
(*5340 coded washbasin is not suitable to use with full pedestal.

ANEMON

PRODUCT NAME
5340 / Washbasin

STANDARD
TS EN 14688

ASSEMBLY KIT

- 150400300177 / Washbasin Assembly Set
- 150400300011 / Overflow Ring

SUITABLE PEDESTAL

- 5323 / Semi Pedestal

WEIGHT
8.520 kg.



PRODUCT NAME

- 5323 / Semi Pedestal

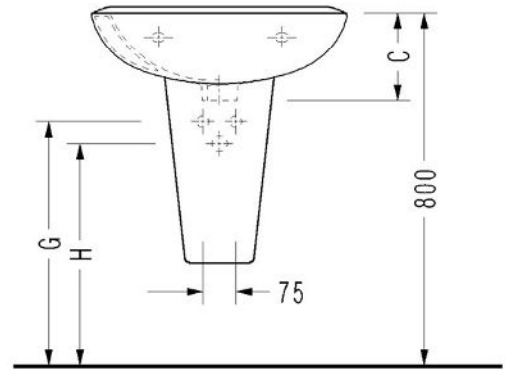
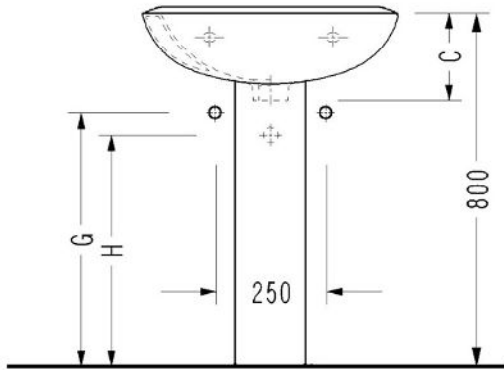
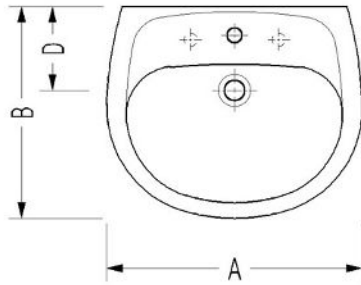
ASSEMBLY KIT

- 150400300017 / WC Pan, Bidet and Semi Pedestal Assembly Set (2 Pcs)

SUITABLE WASHBASIN

- 5301 / Washbasin
- 5340 / Washbasin

WEIGHT
4.350 kg.



	A	B	C	D	G	H
5301	580	480	195	190	575	525
*5340	450	350	160	160	610	560

PS

G and H dimensions which at technical drawings are for using syphons w/o pop-up.
 These dimensions should be draw 30mm when using syphons with pop-up.
 (*)5340 coded washbasin is not suitable to use with full pedestal.

ANEMON

PRODUCT NAME
5306 / P-Trap Close Coupled WC Pan

STANDARD
TS 800 EN 997

ASSEMBLY KIT

- 150400300217 / Assembly Set with Adjustable Strip
- 150400300206 / Hidden Lustration System (310mm.)

SUITABLE SEAT COVER

- 2006100002 / GEDIZ Duroplast Seat Cover
- 2206100002 / GEDIZ Duroplast Seat Cover (anti-bacterial)
- 2026100002 / GEDIZ Duroplast Seat Cover (plastic hinge)
- 2226100002 / GEDIZ Duroplast Seat Cover (plastic hinge) (anti-bacterial)

WEIGHT
19.050 kg.



PRODUCT NAME
5304 / Cistern

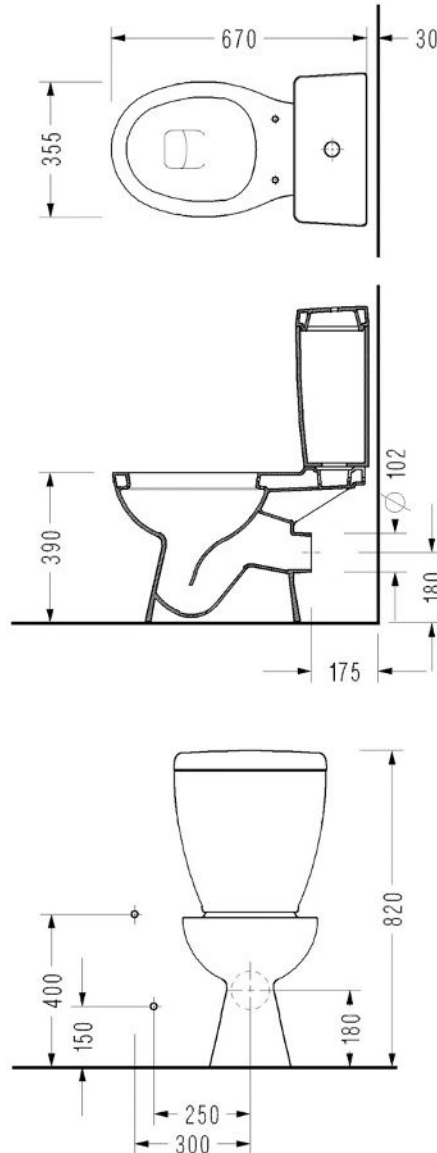
STANDARD
TS 823

CISTERN WATER ENTRY
Bottom

SUITABLE MECHANISM

- 102113047 / ECA
- 150400400079 / SEREL

WEIGHT
13.820 kg.



ANEMON

PRODUCT NAME

5306 / P-Trap Close Coupled WC Pan

STANDARD

TS 800 EN 997

ASSEMBLY KIT

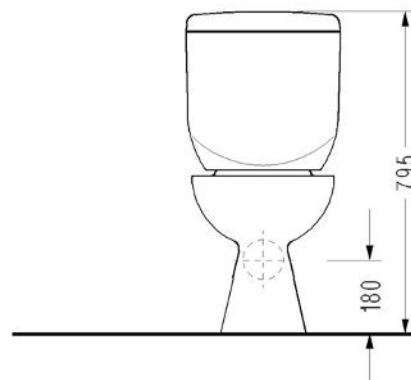
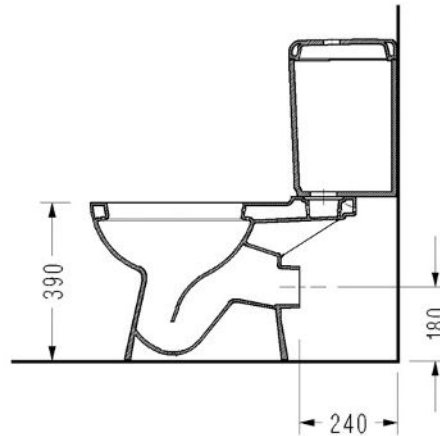
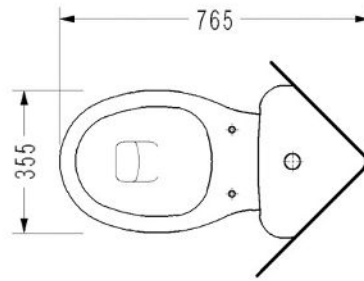
- 150400300217 / Assembly Set With Adjustable Strip
- 150400300206 / Hidden Lustration System (310mm.)
- 150400300052 / Straight Pipe
- 150400300192 / Flexible Hose

SUITABLE SEAT COVER

- 2006100002 / GEDIZ Duroplast Seat Cover
- 2206100002 / GEDIZ Duroplast Seat Cover (anti-bacterial)
- 2026100002 / GEDIZ Duroplast Seat Cover (plastic hinge)
- 2226100002 / GEDIZ Duroplast Seat Cover (plastic hinge) (anti-bacterial)

WEIGHT

19.050 kg.



PRODUCT NAME

5324 / Cistern

STANDARD

TS 823

CISTERN WATER ENTRY

Bottom

WEIGHT

13.690 kg.

ANEMON

PRODUCT NAME

MD02 / S-Trap Close Coupled WC Pan

STANDARD

TS 800 EN 997

ASSEMBLY KIT

- 150400300017 / WC Pan, Bidet and Semi Pedestal Assembly Set
- 150400300035 / Eccentric Trap Adapter
- 150400300247 / Hidden Lustration System for S-Trap Close Coupled WC Pan (295mm.)

SUITABLE SEAT COVER

- 2006100002 / GEDIZ Duroplast Seat Cover
- 2206100002 / GEDIZ Duroplast Seat Cover (anti-bacterial)
- 2026100002 / GEDIZ Duroplast Seat Cover (plastic hinge)
- 2226100002 / GEDIZ Duroplast Seat Cover (plastic hinge) (anti-bacterial)

WEIGHT

21.500 kg.



PRODUCT NAME

MD04 / Cistern

STANDARD

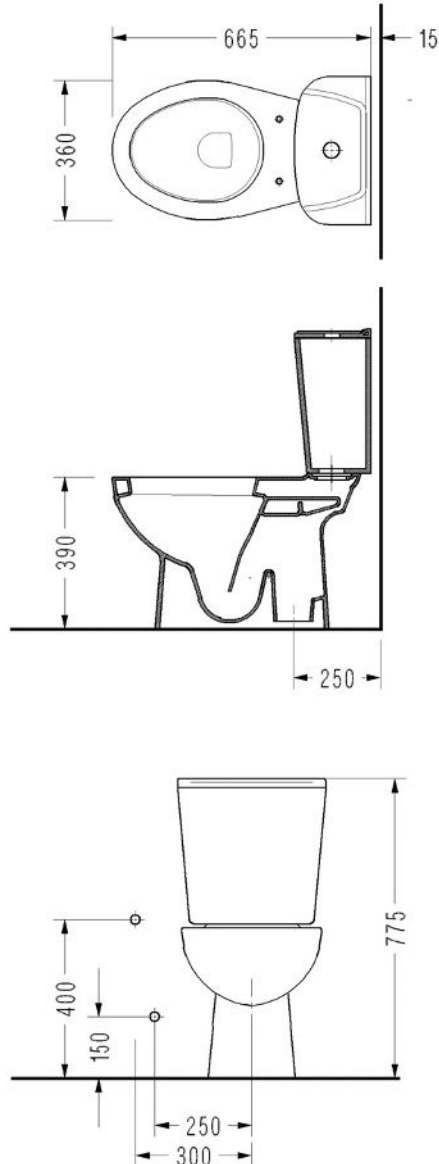
TS 823

CISTERN WATER ENTRY

Bottom

WEIGHT

13.790 kg.



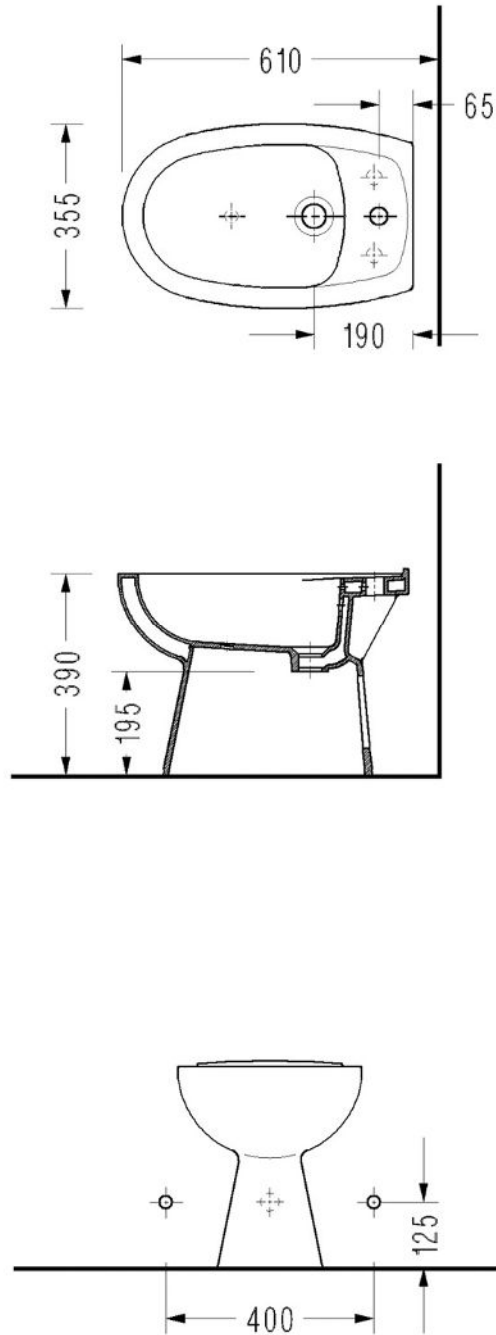
ANEMON

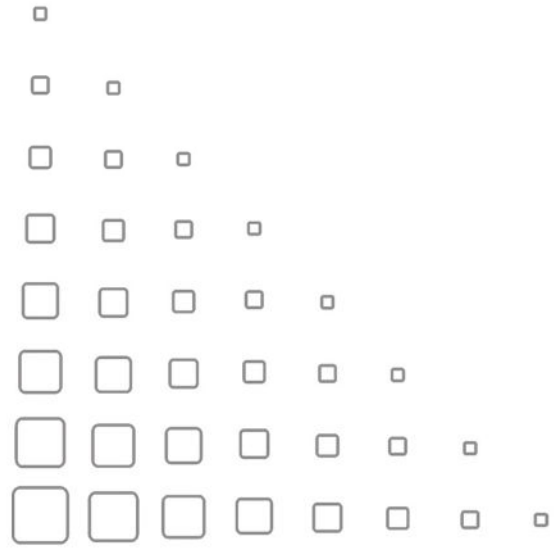
PRODUCT NAME
5303 / BTW Bidet

STANDARD
TS EN 14528

ASSEMBLY KIT
• 150400300017 / WC Pan, Bidet and Semi Pedestal Assembly Set
• 150400300011 / Overflow Ring

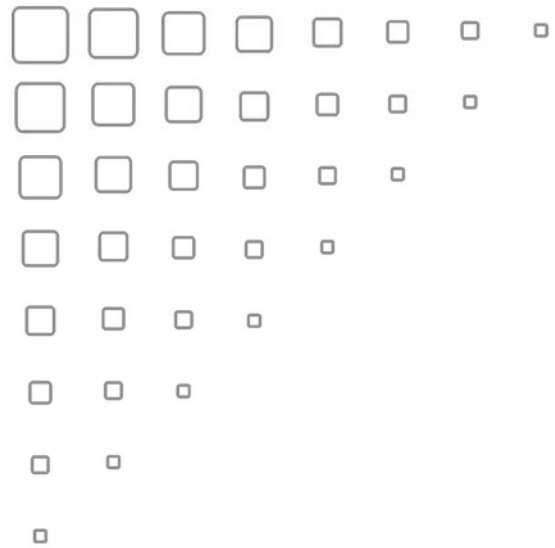
WEIGHT
16.840 kg.





SEREL[®]

SPECIAL SERIES



MINIMAL WASHBASIN SERIES



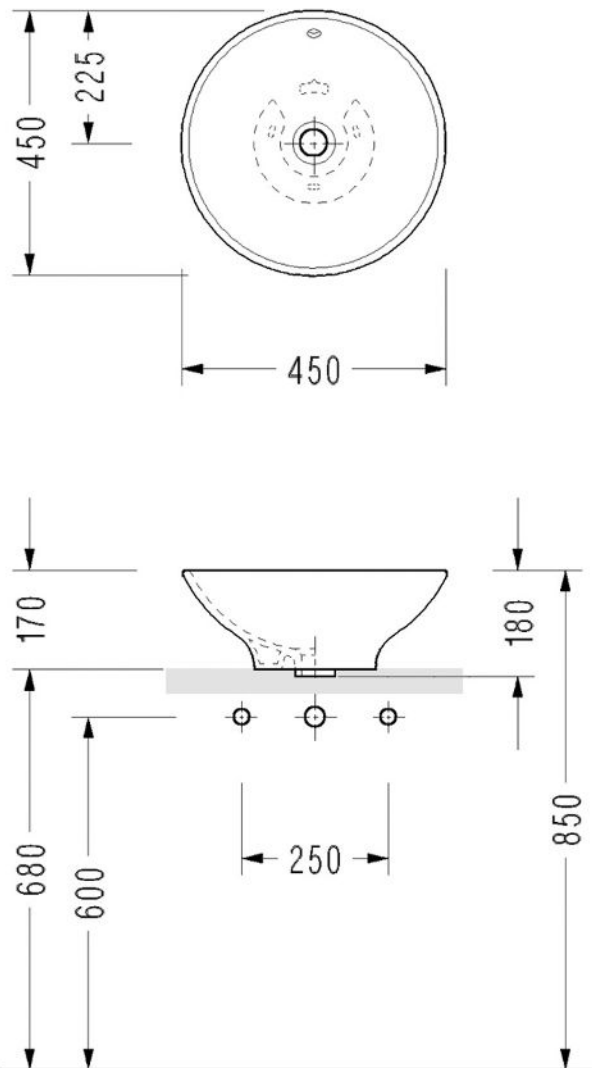
PRODUCT NAME
2002 / Pot Washbasin

STANDARD
TS EN 14688

ASSEMBLY KIT

- 150400300011 / Overflow Ring
- 150400300043 / Minimal Assembly Kit (3 Pcs)

WEIGHT
8.420 kg.



PS

600 dimension which at technical drawings are for using syphons w/o pop-up.
This dimension should be draw 30mm when using syphons with pop-up.

MINIMAL WASHBASIN SERIES

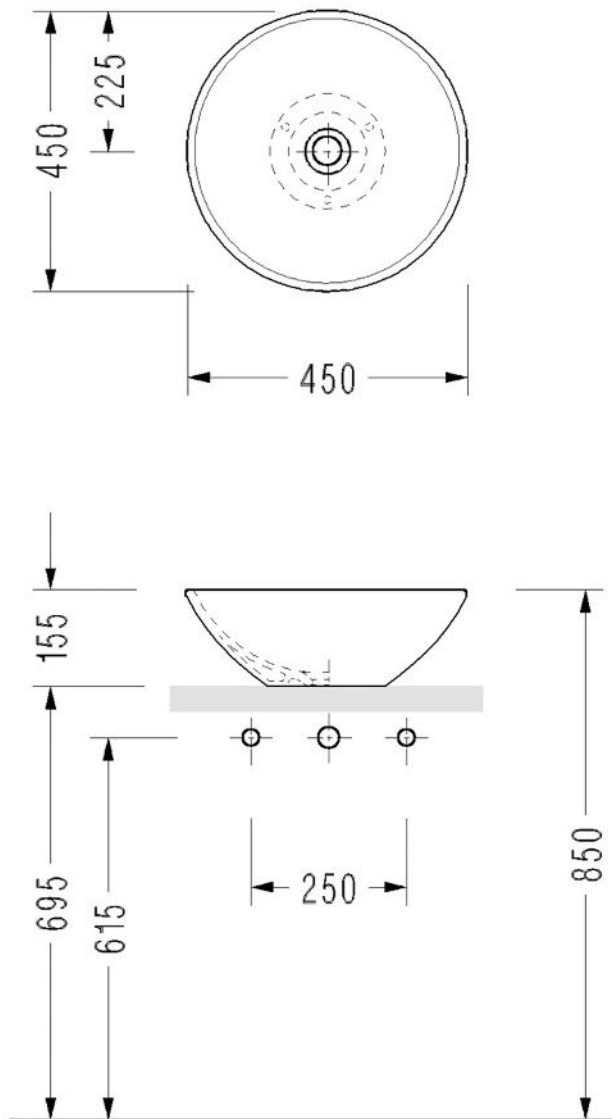


PRODUCT NAME
2012 / Pot Washbasin

STANDARD
TS EN 14688

ASSEMBLY KIT
• 150400300043 / Minimal Assembly Kit (3 Pcs)

WEIGHT
7.810 kg.



PS
The washbasin is for using syphons w/o pop-up.

MINIMAL WASHBASIN SERIES

PRODUCT NAME

2052 / Cylindrical Washbasin

STANDARD

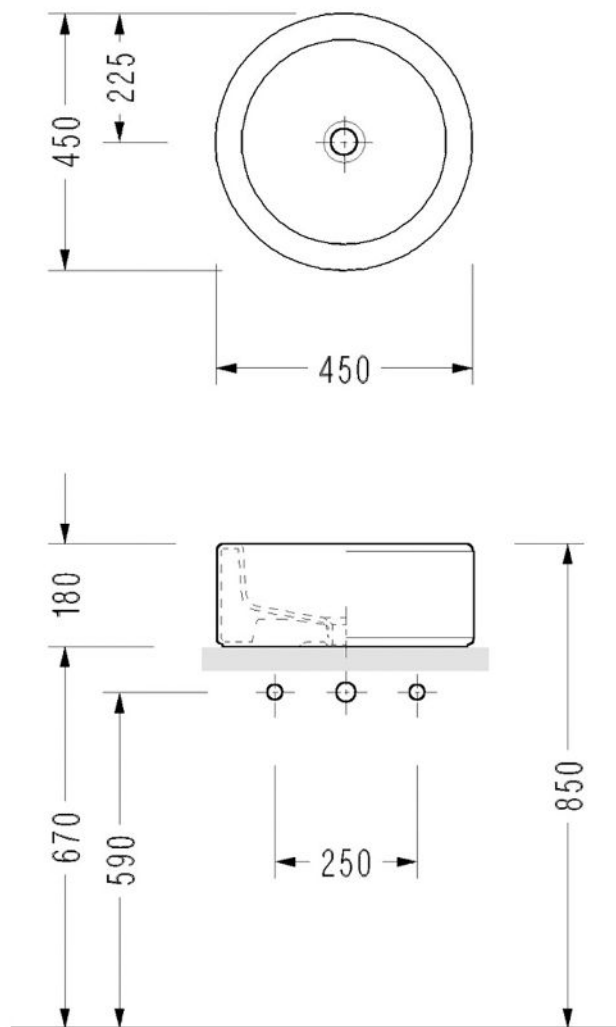
TS EN 14688

ASSEMBLY KIT

• 150400300043 / Minimal Assembly Kit (4 Pcs)

WEIGHT

10.670 kg.



PS

The washbasin is for using syphons w/o pop-up.

MINIMAL WASHBASIN SERIES



PRODUCT NAME

2031 / BTW Pot Washbasin

STANDARD

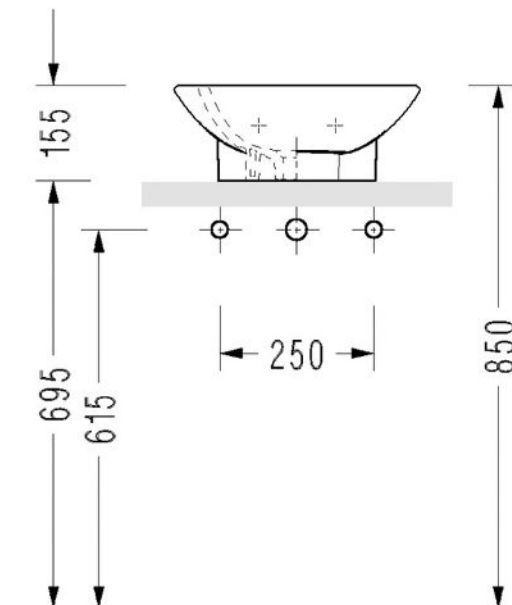
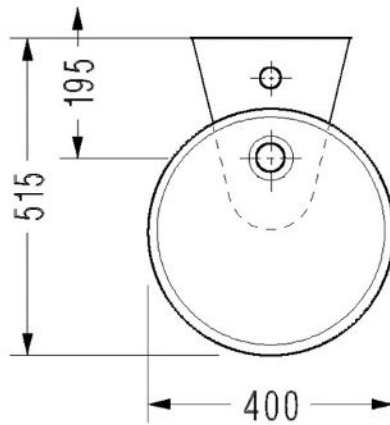
TS EN 14688

ASSEMBLY KIT

- 150400300177 / Washbasin Assembly Kit
- 150400300011 / Overflow Ring
- 150400300043 / Minimal Assembly Kit (2 Pcs)

WEIGHT

8.210 kg.



PS

615 dimension which at technical drawings are for using syphons w/o pop-up.
This dimension should be draw 30mm when using syphons with pop-up.

MINIMAL WASHBASIN SERIES

**PRODUCT NAME**

2036 / Triangular Wasbasin

STANDARD

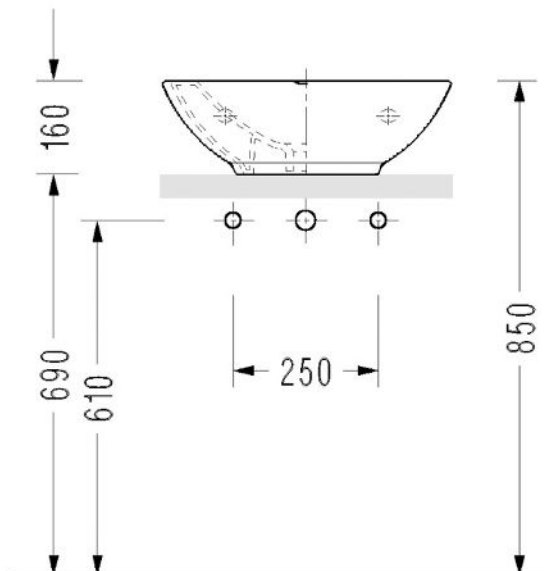
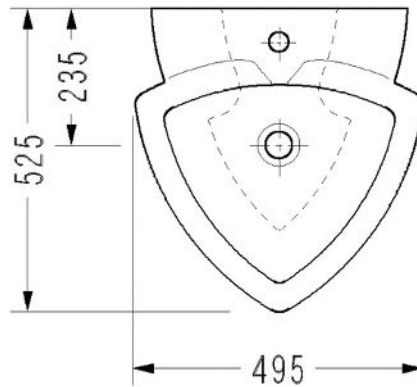
TS EN 14688

ASSEMBLY KIT

- 150400300177 / Washbasin Assembly Kit
- 150400300011 / Overflow Ring

WEIGHT

13.360 kg.



PS

610 dimension which at technical drawings are for using syphons w/o pop-up.
This dimension should be draw 30mm when using syphons with pop-up.

MINIMAL WASHBASIN SERIES

PRODUCT NAME

CH01 / BTW Pot Washbasin

STANDARD

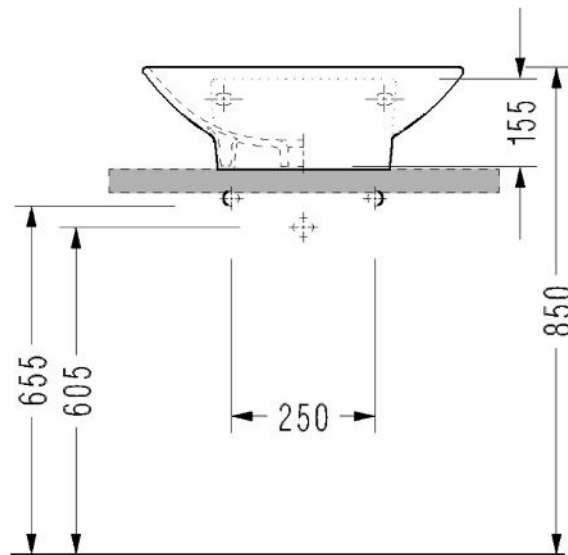
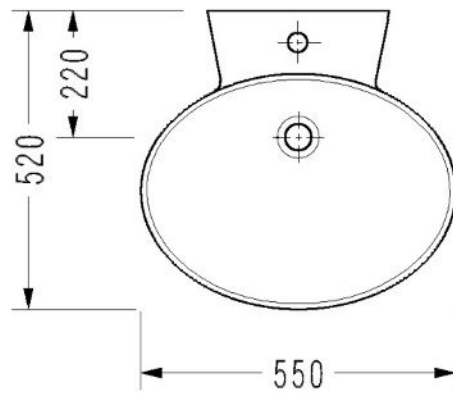
TS EN 14688

ASSEMBLY KIT

- 150400300177 / Washbasin Assembly Kit
- 150400300011 / Overflow Ring

WEIGHT

12.330 kg.



PS

655 and 605 dimensions which at technical drawings are for using syphons w/o pop-up. These dimensions should be draw 30mm when using syphons with pop-up.

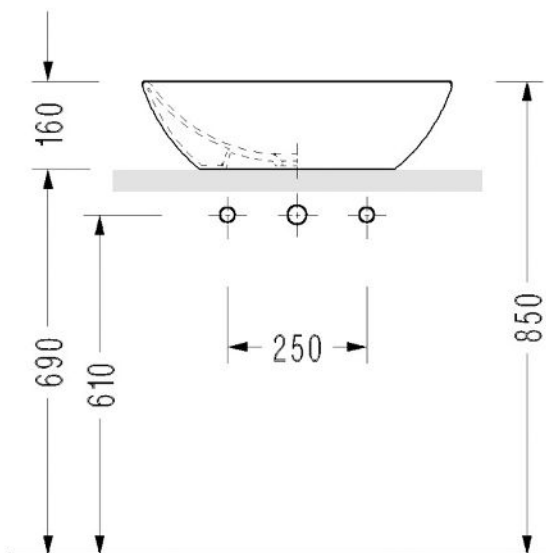
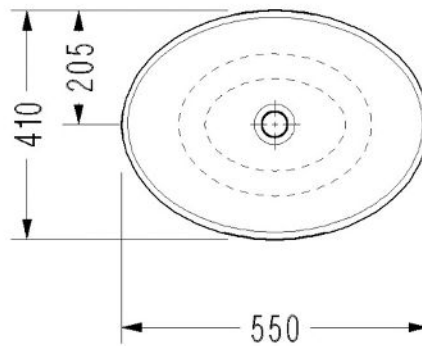
MINIMAL WASHBASIN SERIES

PRODUCT NAME
CH33 / Pot Washbasin

STANDARD
TS EN 14688

ASSEMBLY KIT
• 150400300043 / Minimal Assembly Kit

WEIGHT
10.360 kg.



PS
The washbasin is for using syphons w/o pop-up.

MINIMAL WASHBASIN SERIES

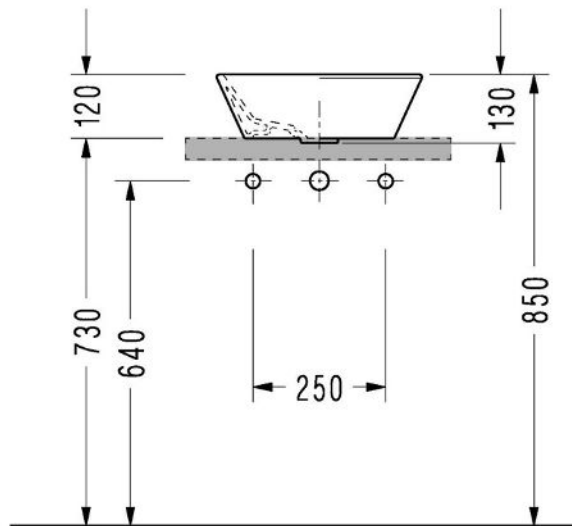
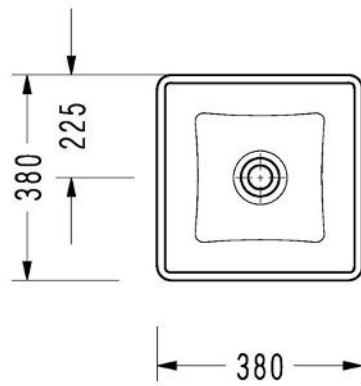


PRODUCT NAME
2013 / Square Washbasin

STANDARD
TS EN 14688

ASSEMBLY KIT
• 150400300043 / Minimal Assembly Kit

WEIGHT
8.630 kg.



PS
The washbasin is for using syphons w/o pop-up.

MINIMAL WASHBASIN SERIES

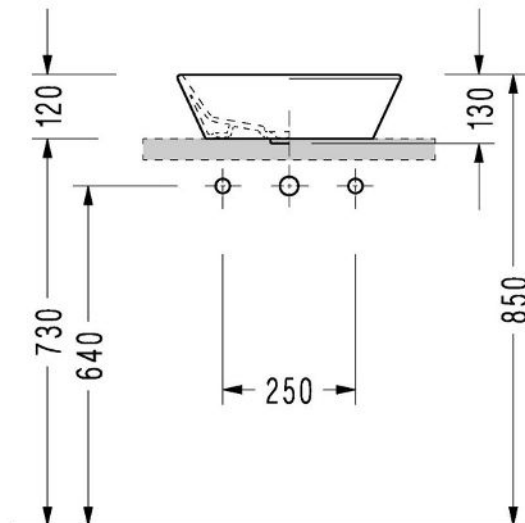
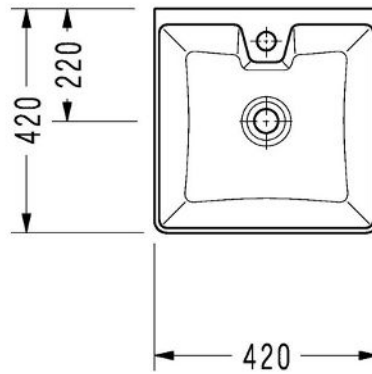


PRODUCT NAME
2014 / Square Washbasin

STANDARD
TS EN 14688

ASSEMBLY KIT
• 150400300043 / Minimal Assembly Kit

WEIGHT
9.750 kg.



PS

The washbasin is for using syphons w/o pop-up.

MINIMAL WASHBASIN SERIES



PRODUCT NAME

2021 / Karma Washbasin

STANDARD

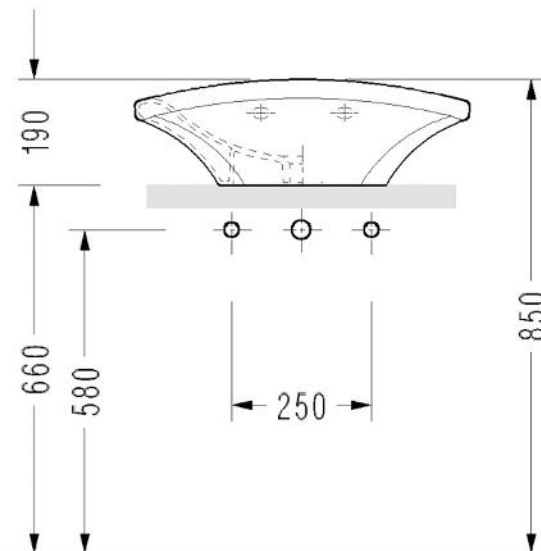
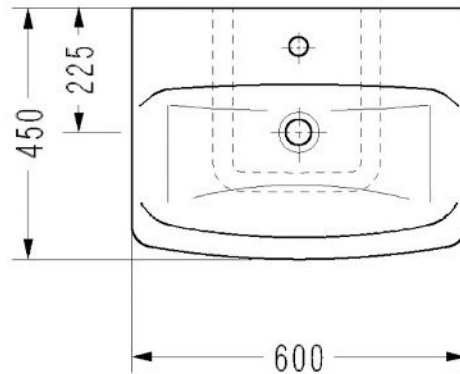
TS EN 14688

ASSEMBLY KIT

- 150400300177 / Washbasin Assembly Kit
- 150400300011 / Overflow Ring
- 150400300043 / Minimal Assembly Kit (3 Pcs)

WEIGHT

16.480 kg.



PS

580 dimension which at technical drawings are for using syphons w/o pop-up.
This dimension should be draw 30mm when using syphons with pop-up.

MINIMAL WASHBASIN SERIES



PRODUCT NAME

2040 / Square Washbasin

STANDARD

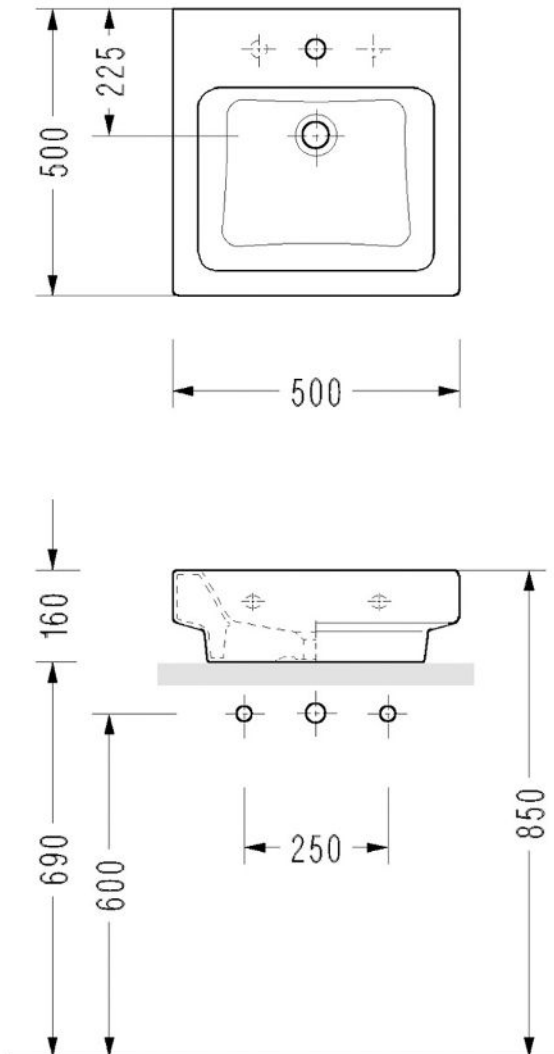
TS EN 14688

ASSEMBLY KIT

- 150400300177 / Washbasin Assembly Kit
- 150400300011 / Overflow Ring
- 150400300043 / Minimal Assembly Kit (3 Pcs)

WEIGHT

16.020 kg.



PS

600 dimension which at technical drawings are for using syphons w/o pop-up.
This dimension should be draw 30mm when using syphons with pop-up.

MINIMAL WASHBASIN SERIES



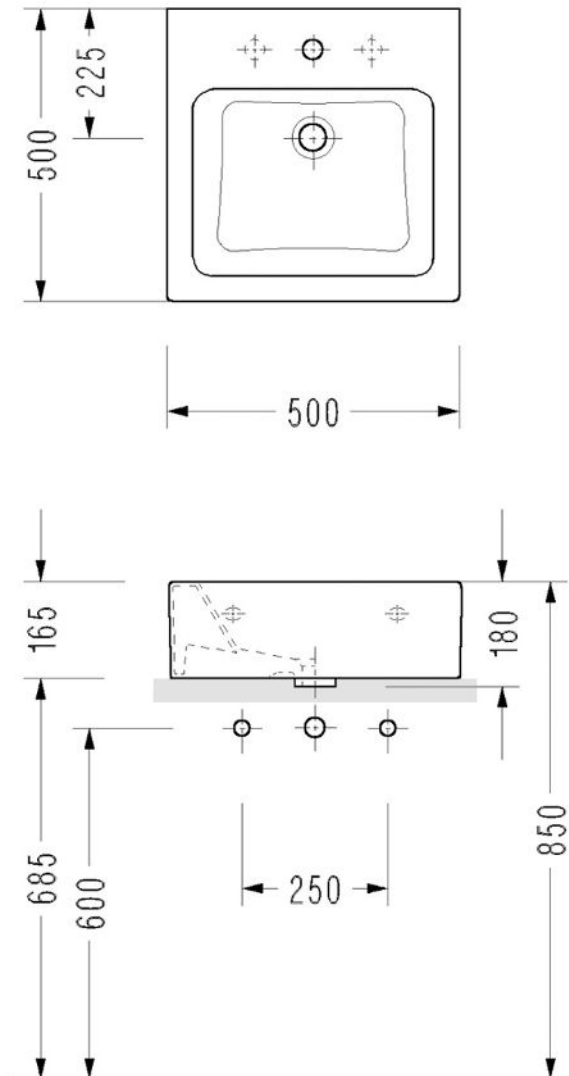
PRODUCT NAME
2042 / Square Washbasin

STANDARD
TS EN 14688

ASSEMBLY KIT

- 150400300177 / Washbasin Assembly Kit
- 150400300011 / Overflow Ring
- 150400300043 / Minimal Assembly Kit (3 Pcs)

WEIGHT
18.820 kg.



PS
600 dimension which at technical drawings are for using syphons w/o pop-up.
This dimension should be draw 30mm when using syphons with pop-up.

MINIMAL WASHBASIN SERIES



PRODUCT NAME

2024 / Rectangular Washbasin

STANDARD

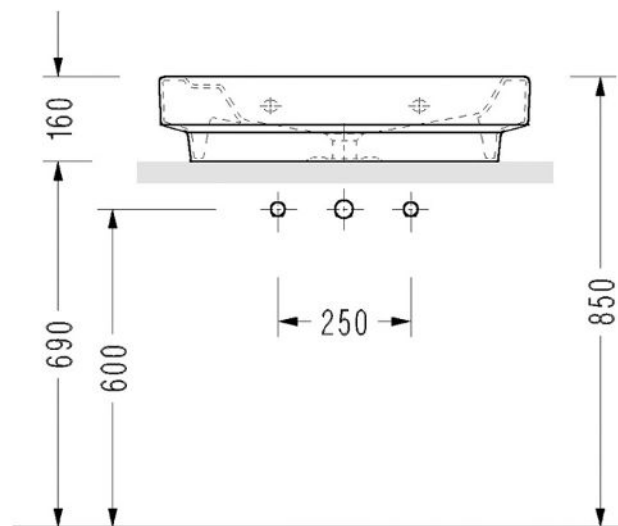
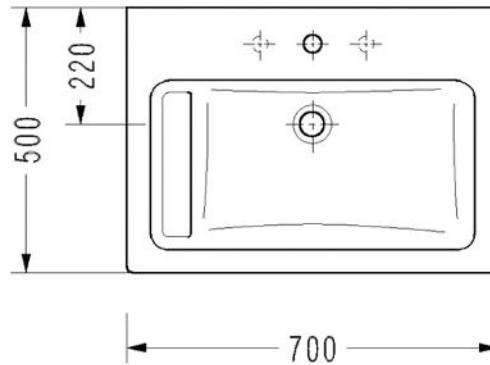
TS EN 14688

ASSEMBLY KIT

- 150400300177 / Washbasin Assembly Kit
- 150400300011 / Overflow Ring
- 150400300043 / Minimal Assembly Kit (3 Pcs)

WEIGHT

21.970 kg.



PS

600 dimension which at technical drawings are for using syphons w/o pop-up.
This dimension should be draw 30mm when using syphons with pop-up.

MINIMAL WASHBASIN SERIES



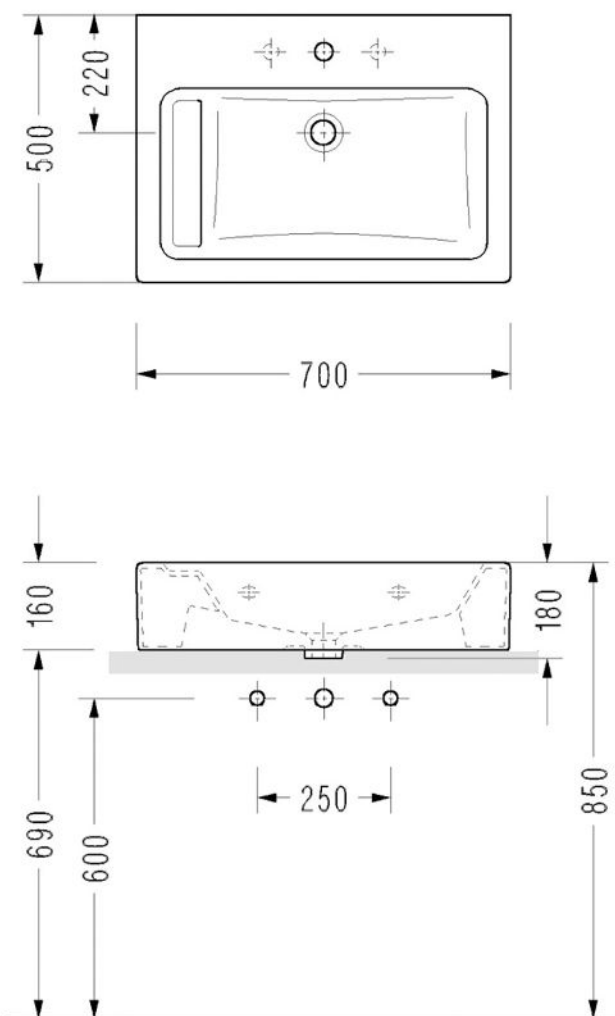
PRODUCT NAME
2027 / Rectangular Washbasin

STANDARD
TS EN 14688

ASSEMBLY KIT

- 150400300177 / Washbasin Assembly Kit
- 150400300011 / Overflow Ring
- 150400300043 / Minimal Assembly Kit (3 Pcs)

WEIGHT
18.070 kg.



PS
600 dimension which at technical drawings are for using syphons w/o pop-up.
This dimension should be draw 30mm when using syphons with pop-up.

MINIMAL WASHBASIN SERIES



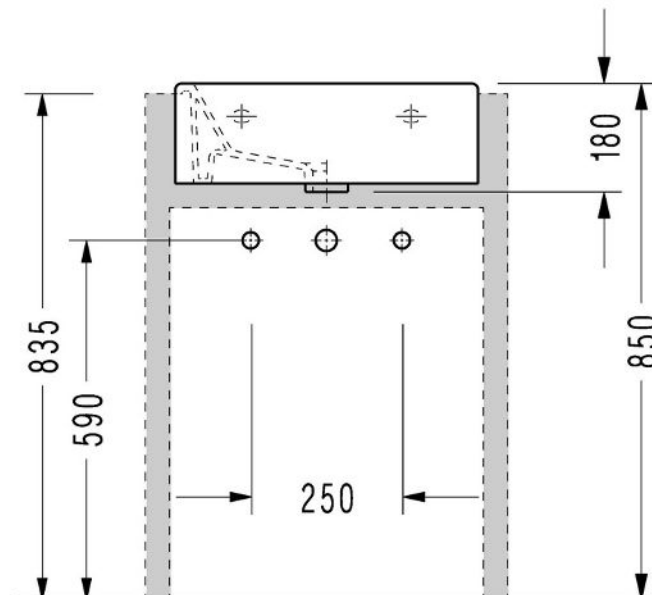
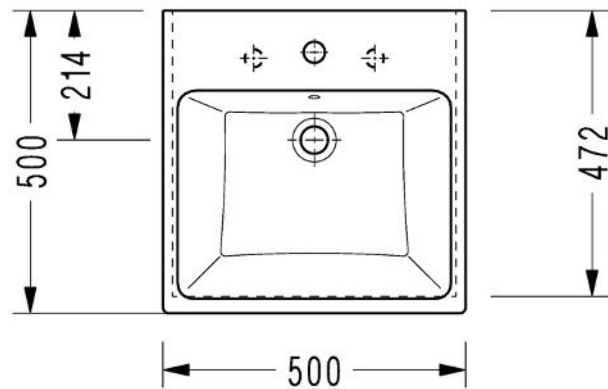
PRODUCT NAME
2043 / Square Washbasin

STANDARD
TS EN 14688

ASSEMBLY KIT

- 150400300177 / Washbasin Assembly Kit
- 150400300011 / Overflow Ring

WEIGHT
18.000 kg.



PS

590 dimension which at technical drawings are for using syphons w/o pop-up.
This dimension should be draw 30mm when using syphons with pop-up.

MINIMAL WASHBASIN SERIES

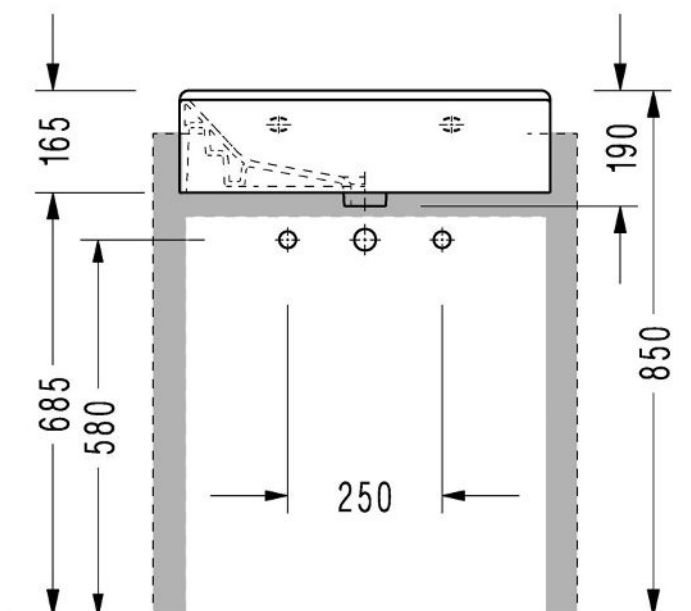
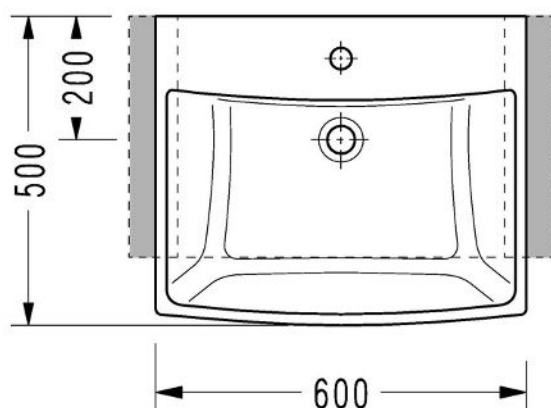
PRODUCT NAME
2044 / Rectangular Washbasin

STANDARD
TS EN 14688

ASSEMBLY KIT

- 150400300177 / Washbasin Assembly Kit
- 150400300011 / Overflow Ring

WEIGHT
17.820 kg.



PS
580 dimension which at technical drawings are for using syphons w/o pop-up.
This dimension should be draw 30mm when using syphons with pop-up.

MINIMAL WASHBASIN SERIES

PRODUCT NAME

2045 / Rectangular Washbasin

**STANDARD**

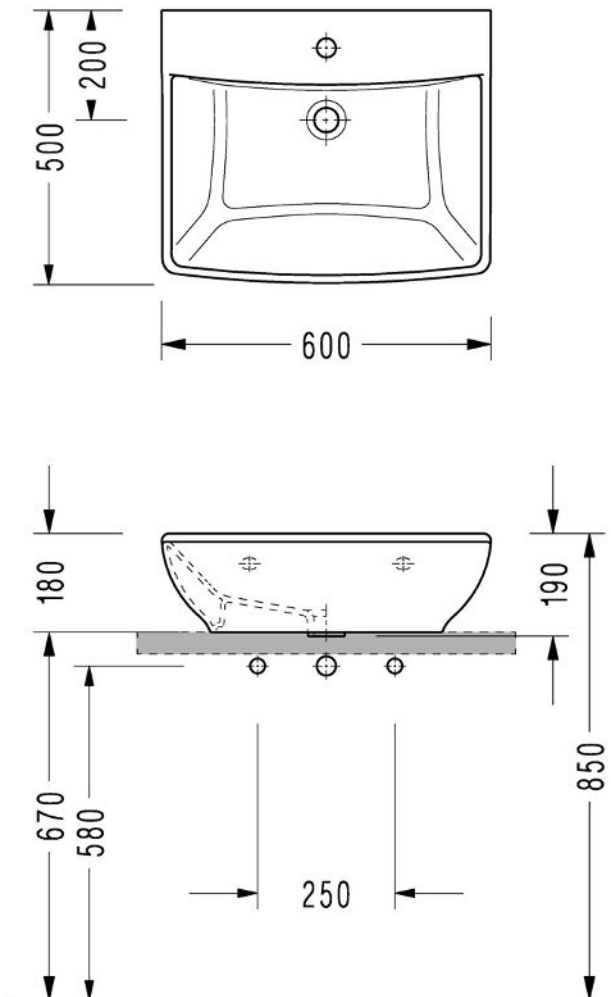
TS EN 14688

ASSEMBLY KIT

- 150400300177 / Washbasin Assembly Kit
- 150400300043 / Washbasin Assembly Kit
- 150400300011 / Overflow Ring

WEIGHT

17.920 kg.



PS

580 dimension which at technical drawings are for using syphons w/o pop-up.
This dimension should be draw 30mm when using syphons with pop-up.

MINIMAL WASHBASIN SERIES

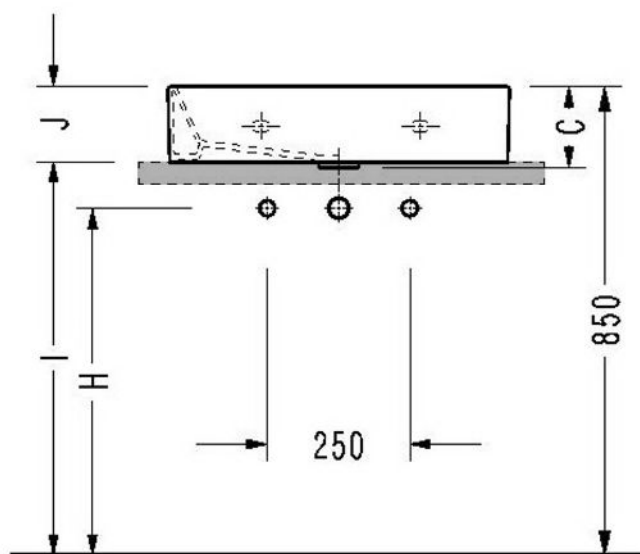
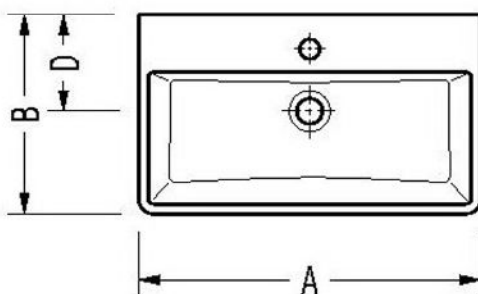


PRODUCT NAME
2041 / Rectangular Washbasin

STANDARD
TS EN 14688

ASSEMBLY KIT
• 150400300177 / Washbasin Assembly Kit

WEIGHT
11.420 kg.



	A	B	C	D	H	I	J
2041	400	350	140	170	630	720	130
2046	600	350	140	170	630	720	130
2048	800	350	140	170	630	720	130

PS
The washbasin is for using syphons w/o pop-up.

MINIMAL WASHBASIN SERIES



PRODUCT NAME

2046 / Rectangular Washbasin

STANDARD

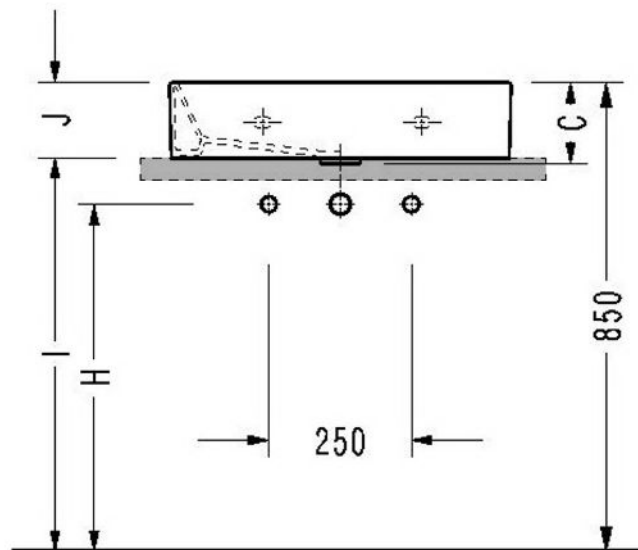
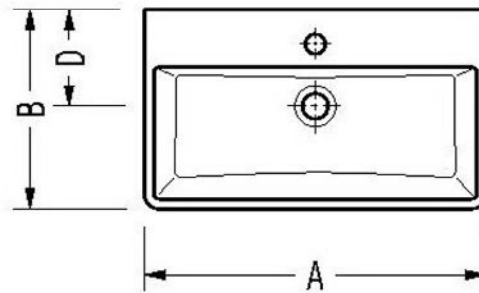
TS EN 14688

ASSEMBLY KIT

- 150400300177 / Washbasin Assembly Kit

WEIGHT

12.640 kg.



	A	B	C	D	H	I	J
2041	400	350	140	170	630	720	130
2046	600	350	140	170	630	720	130
2048	800	350	140	170	630	720	130

PS

The washbasin is for using syphons w/o pop-up.



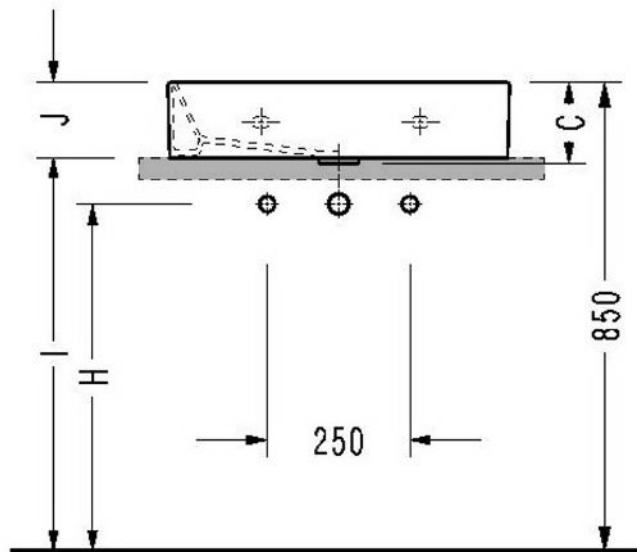
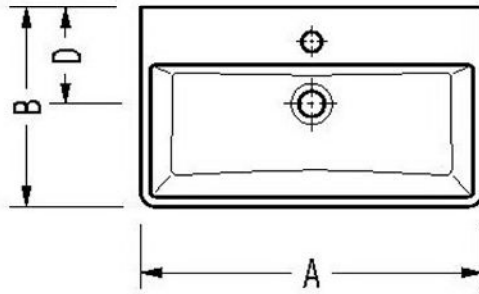
MINIMAL WASHBASIN SERIES

PRODUCT NAME
2048 / Rectangular Washbasin

STANDARD
TS EN 14688

ASSEMBLY KIT
• 150400300177 / Washbasin Assembly Kit

WEIGHT
16.765 kg.



	A	B	C	D	H	I	J
2041	400	350	140	170	630	720	130
2046	600	350	140	170	630	720	130
2048	800	350	140	170	630	720	130

PS
The washbasin is for using syphons w/o pop-up.



MINIMAL WASHBASIN SERIES

PRODUCT NAME

2047 / Rectangular Washbasin

STANDARD

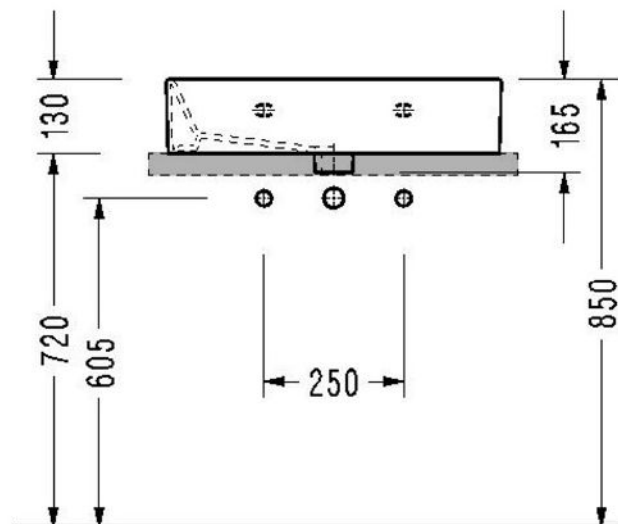
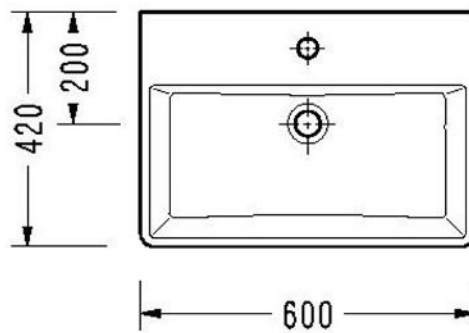
TS EN 14688

ASSEMBLY KIT

- 150400300177 / Washbasin Assembly Kit
- 150400300011 / Overflow Ring

WEIGHT

17.500 kg.



PS

605 dimension which at technical drawings are for using syphons w/o pop-up.
This dimension should be draw 30mm when using syphons with pop-up.

MULTIFUNCTIONAL WASHBASINS

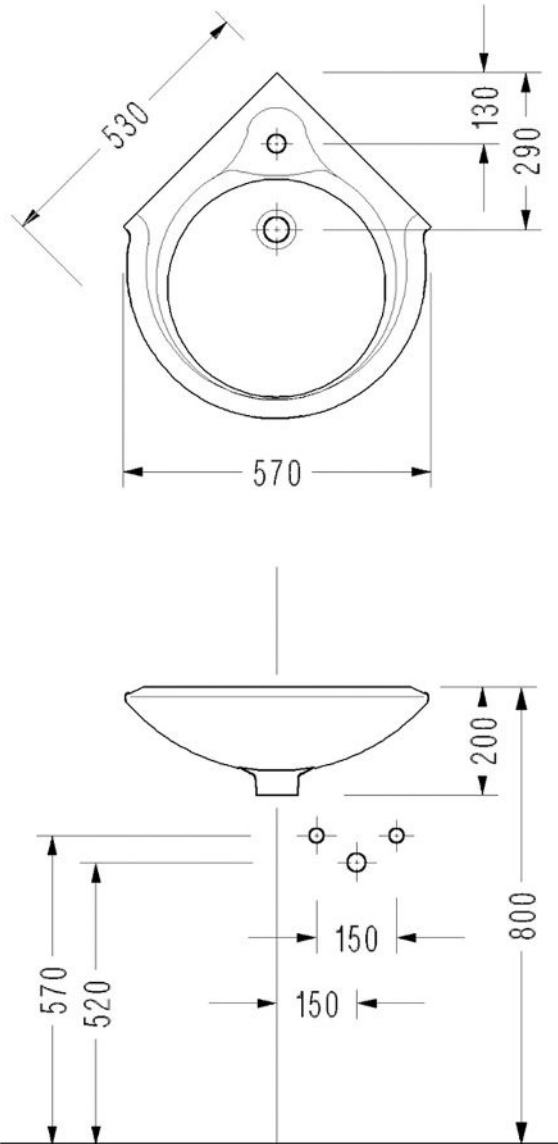
PRODUCT NAME
0433 / Corner Washbasin

STANDARD
TSEK

ASSEMBLY KIT

- 150400300011 / Overflow Ring
- 150400300177 / Washbasin Assembly Kit
- 150400300166 / Metal Towel Holder (corner) (according to order)

WEIGHT
14.160 kg.



PS
520 and 570 dimensions which at technical drawings are for using syphons w/o pop-up. These dimensions should be draw 30mm when using syphons with pop-up.

MULTIFUNCTIONAL WASHBASINS

PRODUCT NAME

0434 / Washbasin with Right Shelf

STANDARD

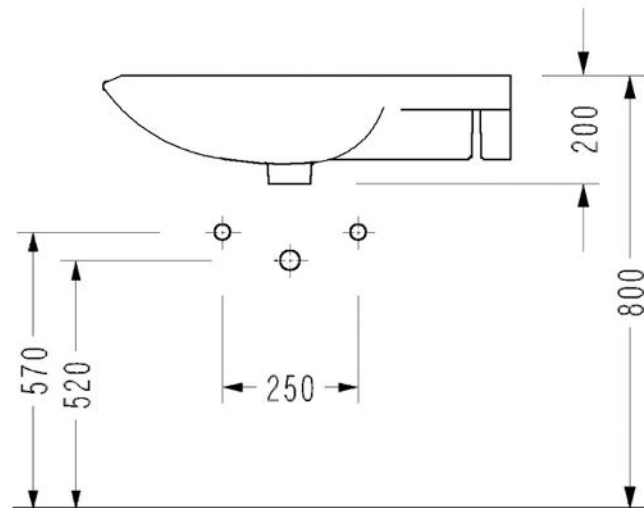
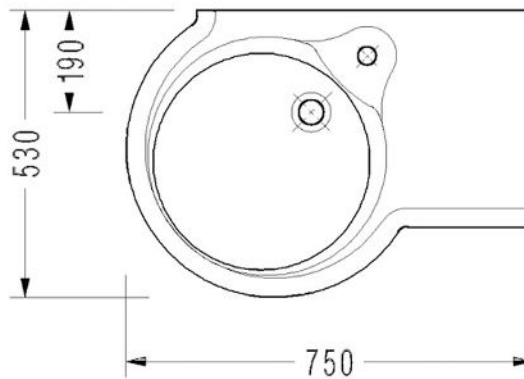
TSEK

ASSEMBLY KIT

- 150400300011 / Overflow Ring
- 150400300177 / Washbasin Assembly Kit
- 150400300167 / Metal Towel Holders (right/left) (according to order)

WEIGHT

18.060 kg.



PS

520 and 570 dimensions which at technical drawings are for using syphons w/o pop-up. These dimensions should be draw 30mm when using syphons with pop-up.

MULTIFUNCTIONAL WASHBASINS

PRODUCT NAME

0435 / Washbasin with Left Shelf

STANDARD

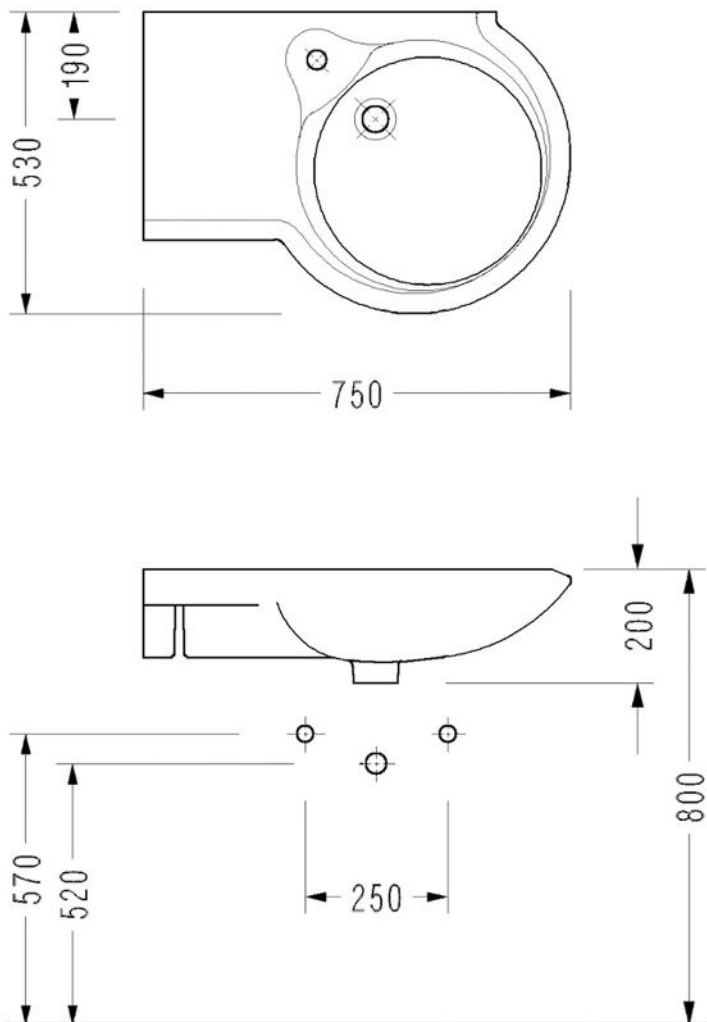
TSEK

ASSEMBLY KIT

- 150400300011 / Overflow Ring
- 150400300177 / Washbasin Assembly Kit
- 150400300167 / Metal Towel Holder (right/left) (according to order)

WEIGHT

18.100 kg.



PS
520 and 570 dimensions which at technical drawings are for using syphons w/o pop-up.
These dimensions should be draw 30mm when using syphons with pop-up.

SPECIAL SERIE FOR DISABLED PEOPLE

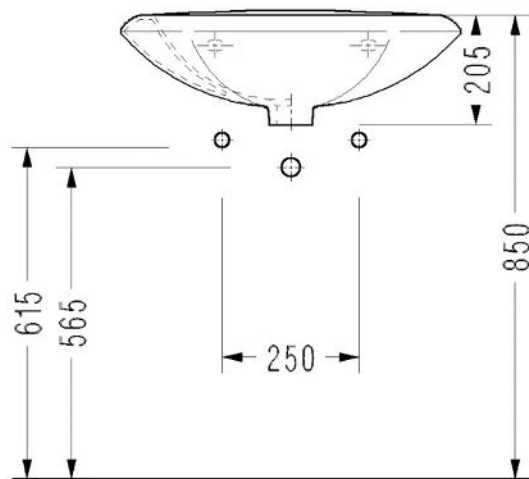
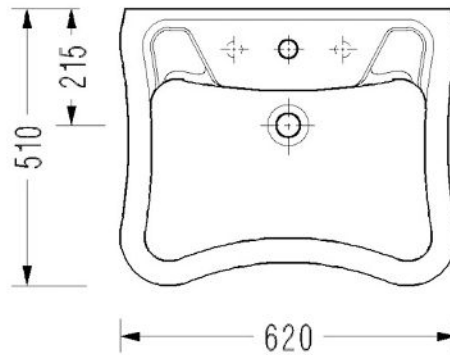


PRODUCT NAME
7644 / Washbasin

STANDARD
TS EN 14688

ASSEMBLY KIT
• 150400300011 / Owerflow Ring
• 150400300177 / Washbasin Assembly Kit

WEIGHT
17.570 kg.



PS

520 and 570 dimensions which at technical drawings are for using syphons w/o pop-up.
These dimensions should be draw 30mm when using syphons with pop-up.

SPECIAL SERIE FOR DISABLED PEOPLE

PRODUCT NAME

7645 / S-Trap Close Coupled WC Pan

STANDARD

TS 800 EN 997

ASSEMBLY KIT

- 150400300017 / WC Pan, Bidet and Semi Pedestal Assembly Kit
- 150400300035 / Eccentric Trap Adapter
- 150400300206 / Hidden Lustration System For S-Trap Close Coupled WC Pan (310mm.)

SUITABLE SEAT COVER

- 2006100002 / GEDIZ Duroplast Seat Cover
- 2206100002 / GEDIZ Duroplast Seat Cover (anti-bacterial)
- 2026100002 / GEDIZ Duroplast Seat Cover (plastic hinge)
- 2226100002 / GEDIZ Duroplast Seat Cover (plastic hinge) (anti-bacterial)

WEIGHT

21.430 kg.



PRODUCT NAME

7648 / Cistern

STANDARD

TS 823

CISTERN WATER ENTRY

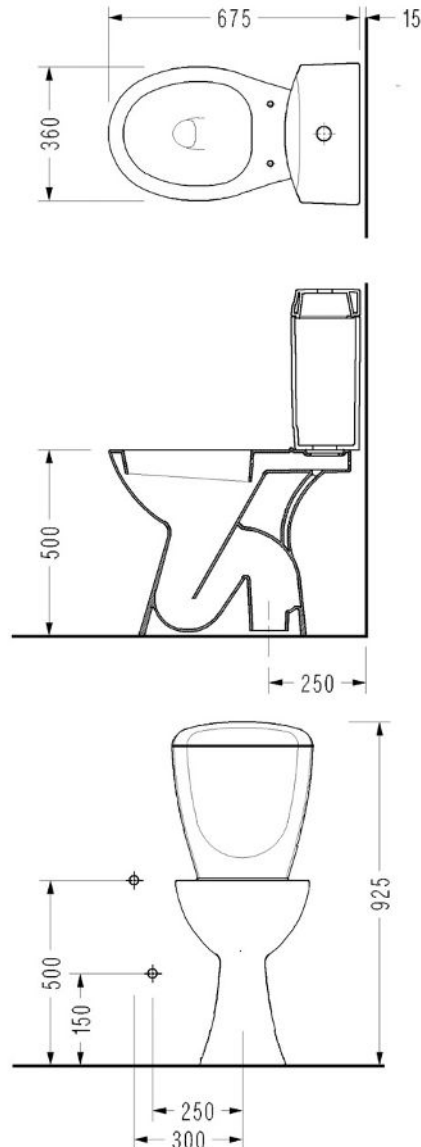
Bottom

SUITABLE MECHANISM

- 102113047 / ECA
- 150400400079 / SEREL

WEIGHT

12.390 kg.

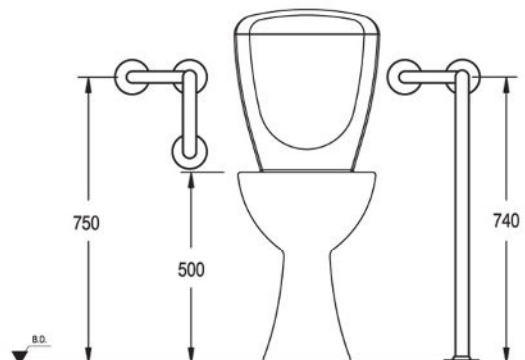
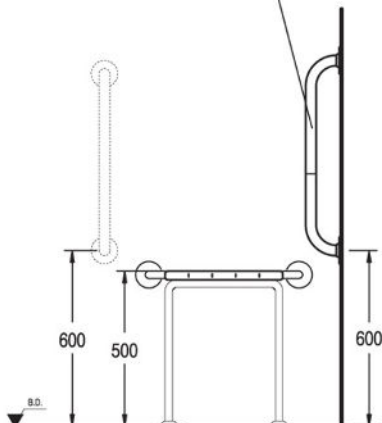
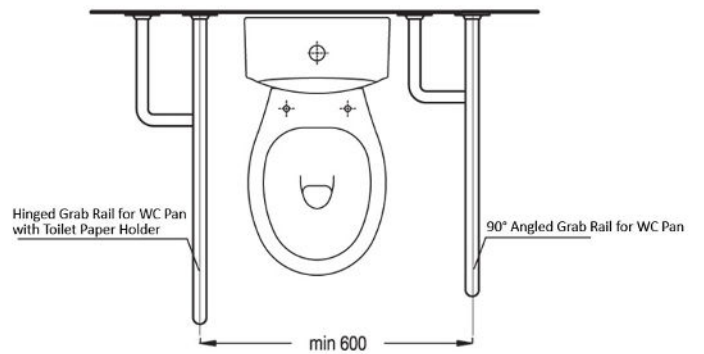
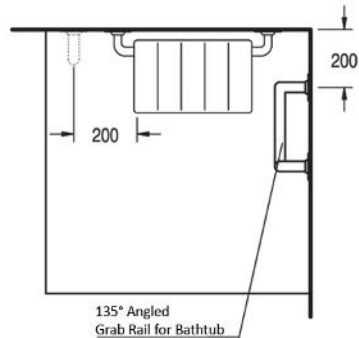
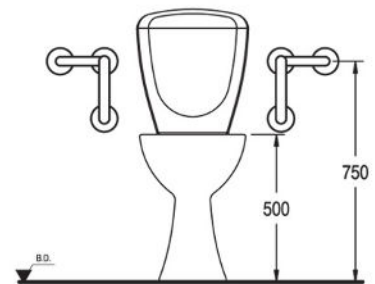
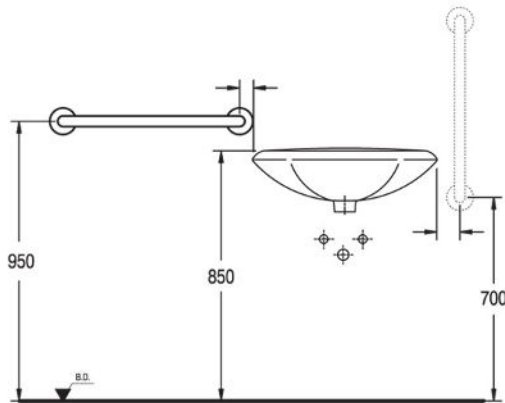
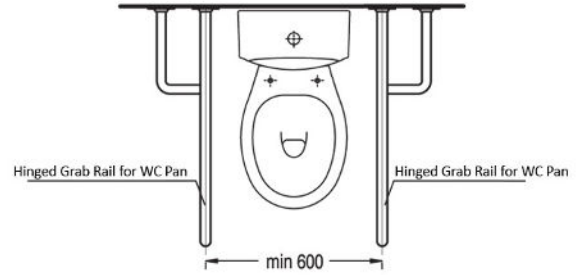
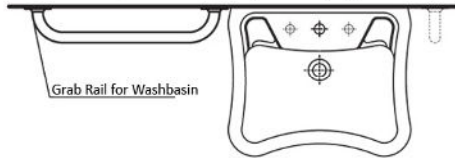


SPECIAL SERIE FOR DISABLED PEOPLE

PRODUCT NAME

SPECIAL ACCESSORIES

- 150400300105 / Grab Rail for Washbasin (chrome) (optional)
- 150400300107 / 90° Angled Grab Rail for WC Pan (chrome) (optional)
- 150400300106 / 135° Angled Grab Rail for Bathtub (chrome) (optional)
- 150400300108 / Hinged Grab Rail for WC Pan with Toilet Paper Holder (chrome) (optional)
- 150400300116 / Hinged Grab Rail for WC Pan (chrome) (optional)
- 150400300153 / Shower Seat (chrome) (optional)



SPECIAL SERIE FOR CHILDREN



PRODUCT NAME
8701 / Washbasin

STANDARD
TS EN 14688

ASSEMBLY KIT
• 150400300177 / Washbasin Assembly Kit
• 150400300011 / Overflow Ring

SUITABLE PEDESTAL
• 8721 / Semi Pedestal

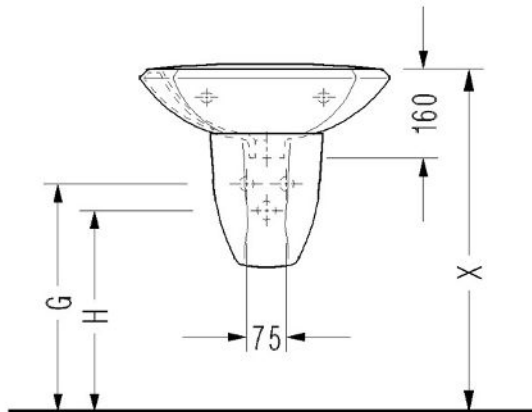
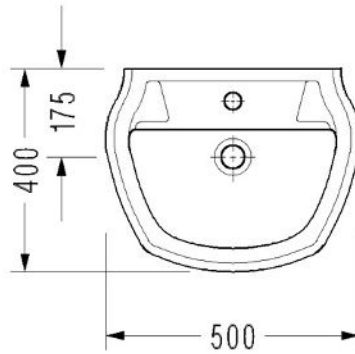
WEIGHT
11.380 kg.

PRODUCT NAME
8721 / Semi Pedestal

ASSEMBLY KIT
• 150400300067 / Assembly Set with Adjustable Strip

SUITABLE WASHBASIN
• 8701 / Washbasin

WEIGHT
5.800 kg.



	X	G	H
3-6 AGE GROUP	550-600	360-410	310-360
7-10 AGE GROUP	600-650	410-460	360-410

PS
G and H dimensions which at technical drawings are for using syphons w/o pop-up.
These dimensions should be draw 30mm when using syphons with pop-up.

SPECIAL SERIE FOR CHILDREN

PRODUCT NAME

8702 / S-Trap Close Coupled WC Pan

STANDARD

TS 800 EN 997

ASSEMBLY KIT

- 150400300017 / WC Pan, Bidet and Semi Pedestal Assembly Kit
- 150400300035 / Eccentric Trap Adapter
- 150400300241 / Hidden Lustration System For S-Trap Close Coupled WC Pan (285mm.)

SUITABLE SEAT COVER

- 2008700002 / CHILDREN Duroplast Seat Cover
- 2208700002 / CHILDREN Duroplast Seat Cover (anti-bacterial)

WEIGHT

13.280 kg.



PRODUCT NAME

8704 / Cistern

STANDARD

TS 823

CISTERN WATER ENTRY

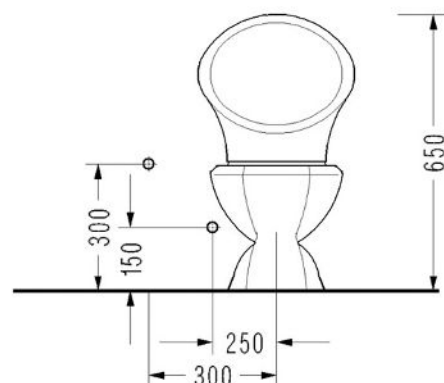
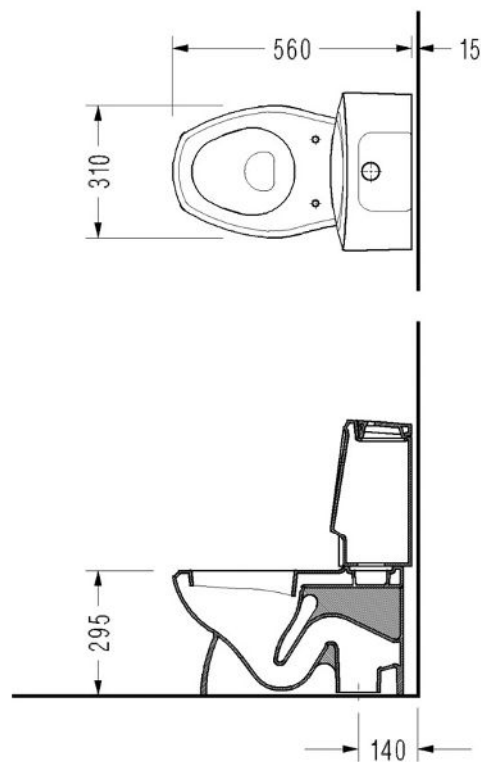
Bottom

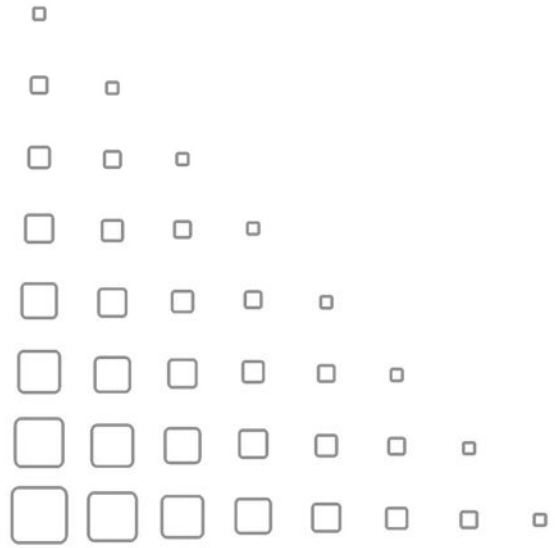
SUITABLE MECHANISM

- 2102113013 / ECA

WEIGHT

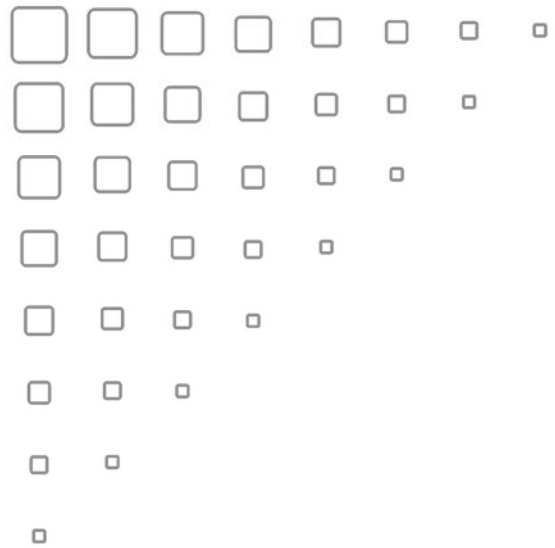
7.450 kg.





SEREL[®]

SINGLE PIECES



WASHBASINS WITH SHELVES



PRODUCT NAME

1542 / Washbasin (furniture)

STANDARD

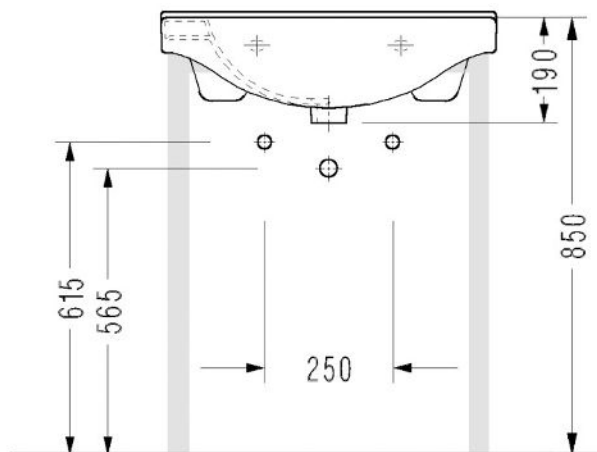
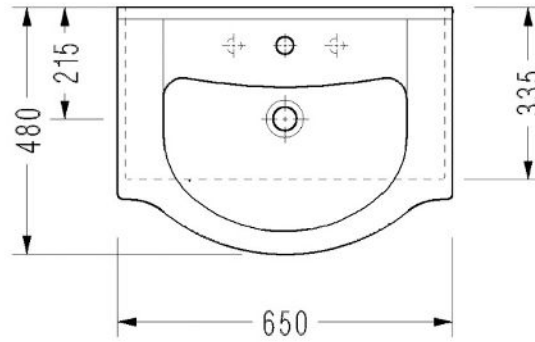
TSEK

ASSEMBLY KIT

- 150400300177 / Washbasin Assembly Kit
- 150400300011 / Overflow Ring

WEIGHT

16.130 kg.



PS

615 and 565 dimensions which at technical drawings are for using syphons w/o pop-up. These dimensions should be draw 30mm when using syphons with pop-up.

WASHBASINS WITH SHELVES



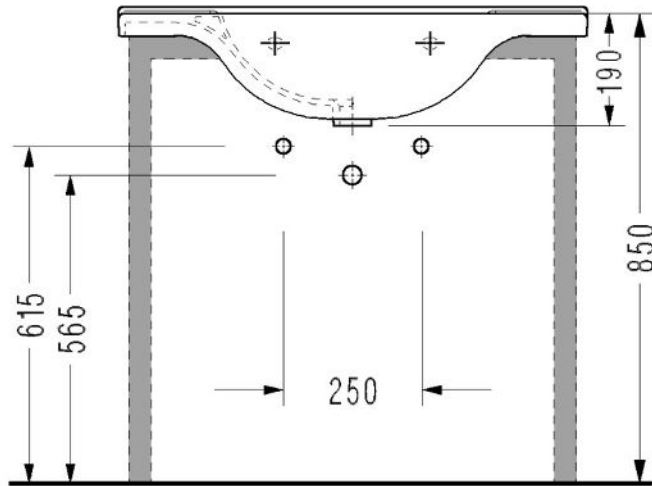
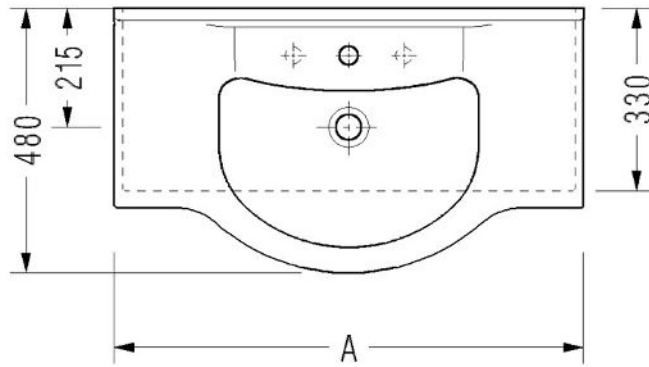
PRODUCT NAME
1543 / Washbasin (furniture)

STANDARD
TSEK

ASSEMBLY KIT

- 150400300177 / Washbasin Assembly Kit
- 150400300011 / Overflow Ring

WEIGHT
16.950 kg.



	A
1543	750
1544	850
1545	950
1546	1050

PS
615 and 565 dimensions which at technical drawings are for using syphons w/o pop-up. These dimensions should be draw 30mm when using syphons with pop-up.

WASHBASINS WITH SHELVES



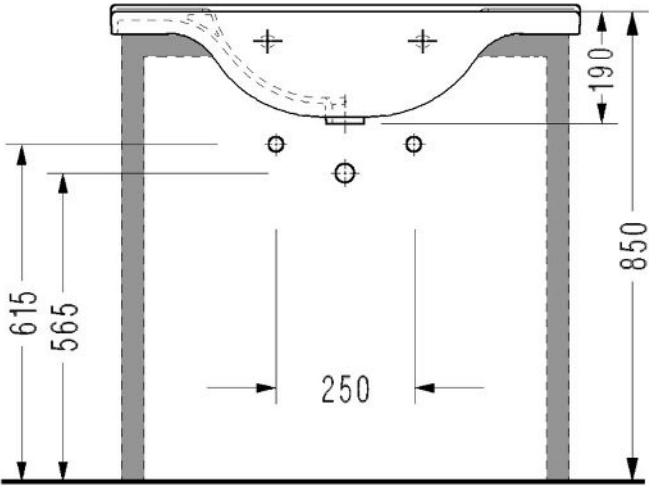
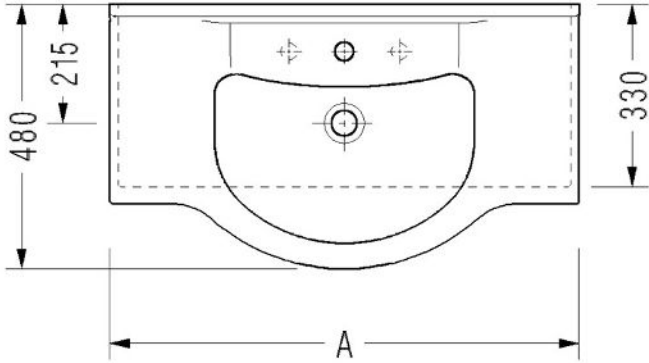
PRODUCT NAME
1544 / Washbasin (furniture)

STANDARD
TSEK

ASSEMBLY KIT

- 150400300177 / Washbasin Assembly Kit
- 150400300011 / Overflow Ring

WEIGHT
20.390 kg.



	A
1543	750
1544	850
1545	950
1546	1050

PS
615 and 565 dimensions which at technical drawings are for using syphons w/o pop-up. These dimensions should be draw 30mm when using syphons with pop-up.

WASHBASINS WITH SHELVES



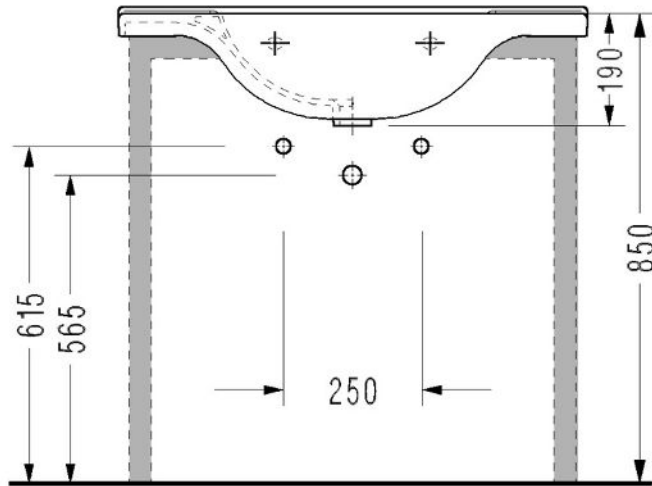
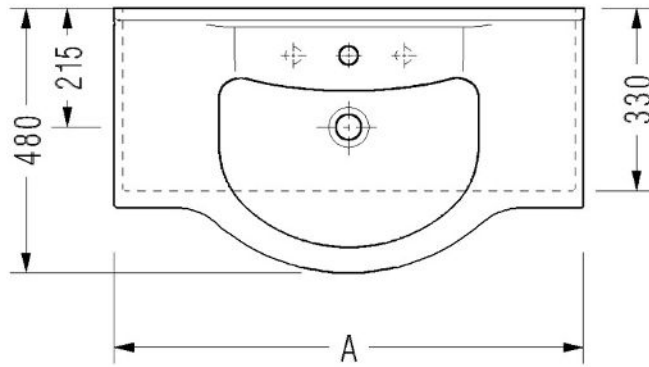
PRODUCT NAME
1545 / Washbasin (furniture)

STANDARD
TSEK

ASSEMBLY KIT

- 150400300177 / Washbasin Assembly Kit
- 150400300011 / Overflow Ring

WEIGHT
21.820 kg.



	A
1543	750
1544	850
1545	950
1546	1050

PS
615 and 565 dimensions which at technical drawings are for using syphons w/o pop-up.
These dimensions should be draw 30mm when using syphons with pop-up.

WASHBASINS WITH SHELVES



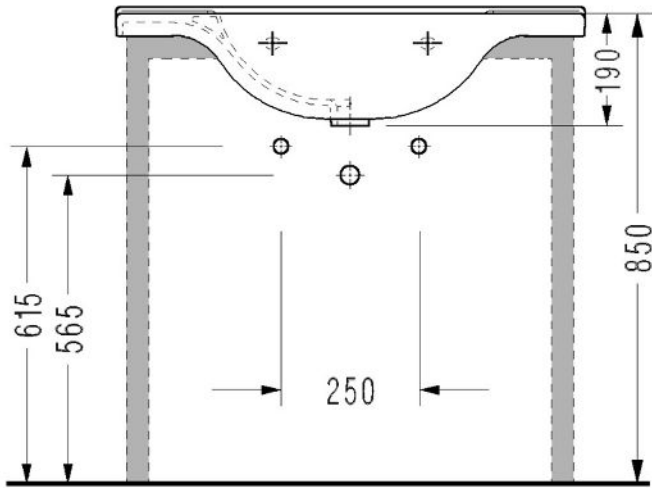
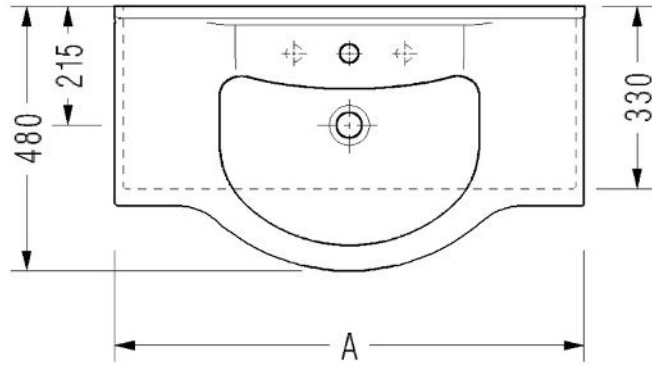
PRODUCT NAME
1546 / Washbasin (furniture)

STANDARD
TSEK

ASSEMBLY KIT

- 150400300177 / Washbasin Assembly Kit
- 150400300011 / Overflow Ring

WEIGHT
23.340 kg.



	A
1543	750
1544	850
1545	950
1546	1050

PS
615 and 565 dimensions which at technical drawings are for using syphons w/o pop-up. These dimensions should be draw 30mm when using syphons with pop-up.

WASHBASINS WITH SHELVES



PRODUCT NAME

1547 / Washbasin (furniture)

STANDARD

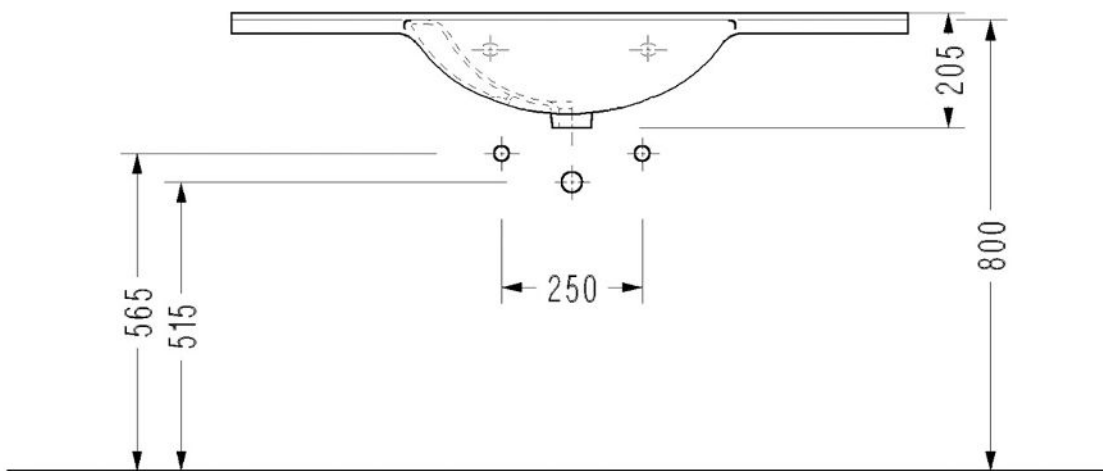
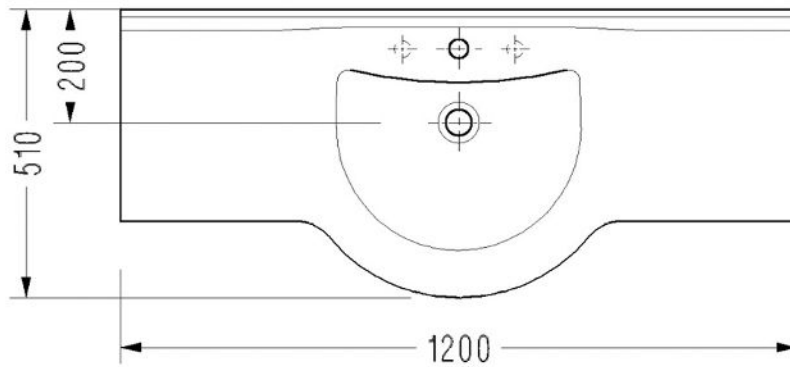
TSEK

ASSEMBLY KIT

- 150400300177 / Washbasin Assembly Kit
- 150400300011 / Overflow Ring

WEIGHT

26.490 kg.



PS
565 and 515 dimensions which at technical drawings are for using syphons w/o pop-up.
These dimensions should be draw 30mm when using syphons with pop-up.

WASHBASINS WITH SHELVES



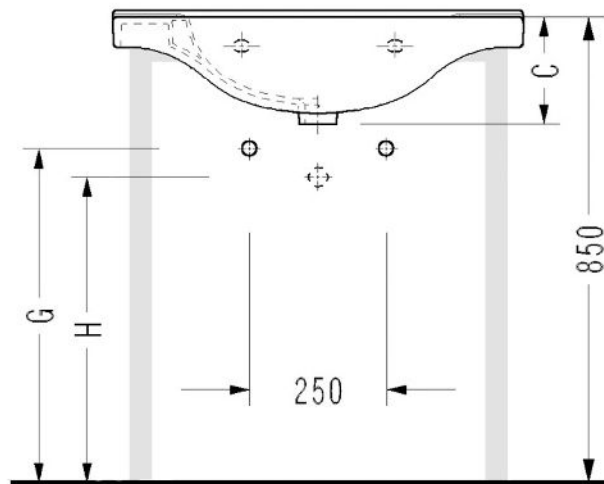
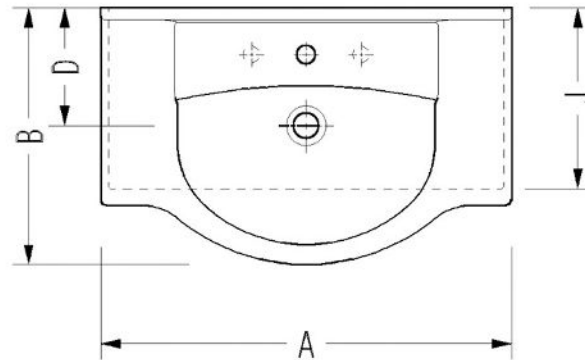
PRODUCT NAME
1842 / Washbasin (furniture)

STANDARD
TSEK

ASSEMBLY KIT

- 150400300177 / Washbasin Assembly Kit
- 150400300011 / Overflow Ring

WEIGHT
12.680 kg.



	A	B	C	D	G	H	J
1842	650	430	195	195	625	575	300
1843	750	470	205	215	615	565	330
1844	850	470	205	215	615	565	330

PS

G and H dimensions which at technical drawings are for using syphons w/o pop-up.
These dimensions should be draw 30mm when using syphons with pop-up.



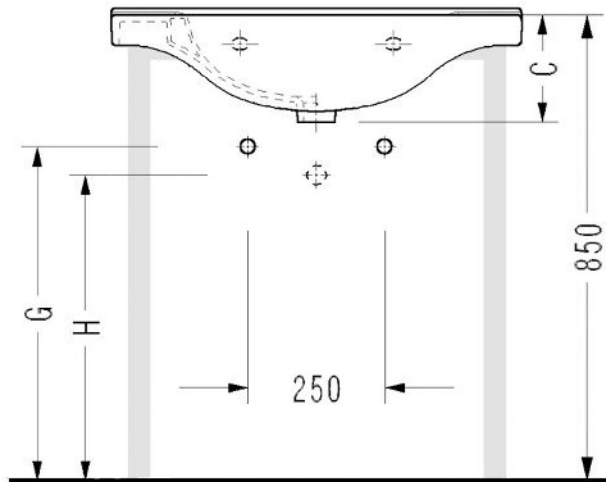
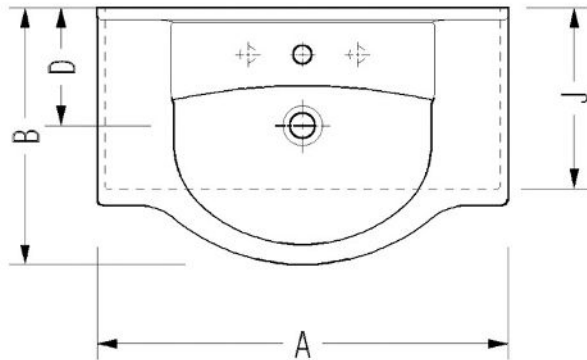
WASHBASINS WITH SHELVES

PRODUCT NAME
1843 / Washbasin (furniture)

STANDARD
TSEK

ASSEMBLY KIT
• 150400300177 / Washbasin Assembly Kit
• 150400300011 / Overflow Ring

WEIGHT
17.930 kg.



	A	B	C	D	G	H	J
1842	650	430	195	195	625	575	300
1843	750	470	205	215	615	565	330
1844	850	470	205	215	615	565	330

PS
G and H dimensions which at technical drawings are for using syphons w/o pop-up.
These dimensions should be draw 30mm when using syphons with pop-up.

WASHBASINS WITH SHELVES



PRODUCT NAME

1844 / Washbasin (furniture)

STANDARD

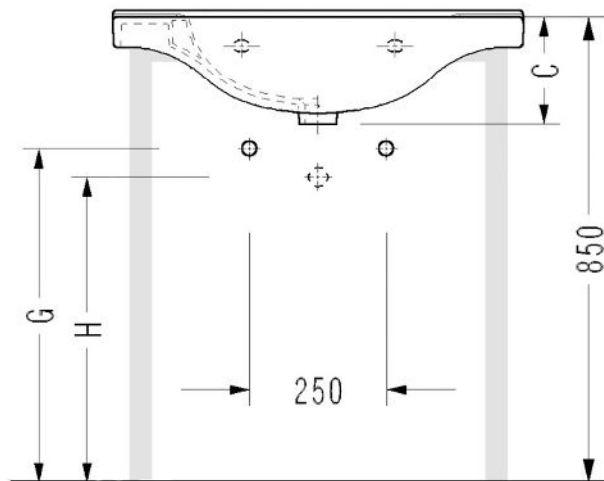
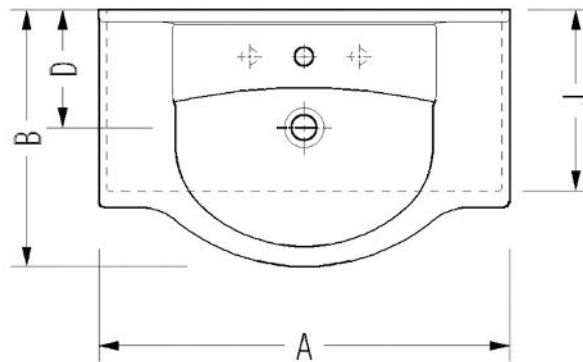
TSEK

ASSEMBLY KIT

- 150400300177 / Washbasin Assembly Kit
- 150400300011 / Overflow Ring

WEIGHT

22.880 kg.



	A	B	C	D	G	H	J
1842	650	430	195	195	625	575	300
1843	750	470	205	215	615	565	330
1844	850	470	205	215	615	565	330

PS

G and H dimensions which at technical drawings are for using syphons w/o pop-up. These dimensions should be draw 30mm when using syphons with pop-up.

WASHBASINS WITH SHELVES

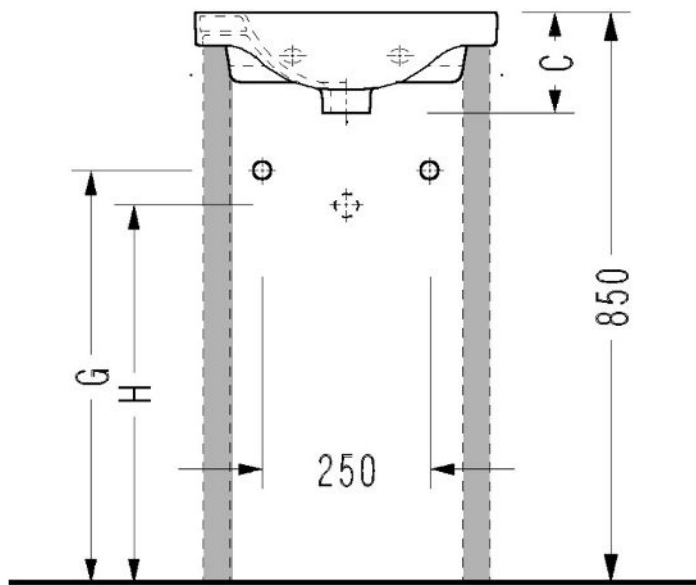
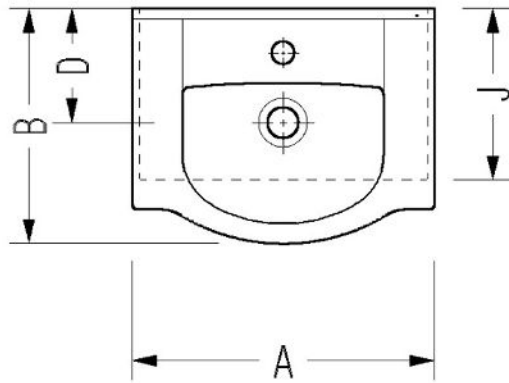


PRODUCT NAME
1846 / Washbasin (furniture)

STANDARD
TSEK

ASSEMBLY KIT
• 150400300177 / Washbasin Assembly Kit
• 150400300011 / Overflow Ring

WEIGHT
7.150 kg.



	A	B	C	D	G	H	J
1846	400	350	150	170	620	590	250
1847	450	350	150	170	620	590	250

PS
G and H dimensions which at technical drawings are for using syphons w/o pop-up.
These dimensions should be draw 30mm when using syphons with pop-up.

WASHBASINS WITH SHELVES



PRODUCT NAME

1847 / Washbasin (furniture)

STANDARD

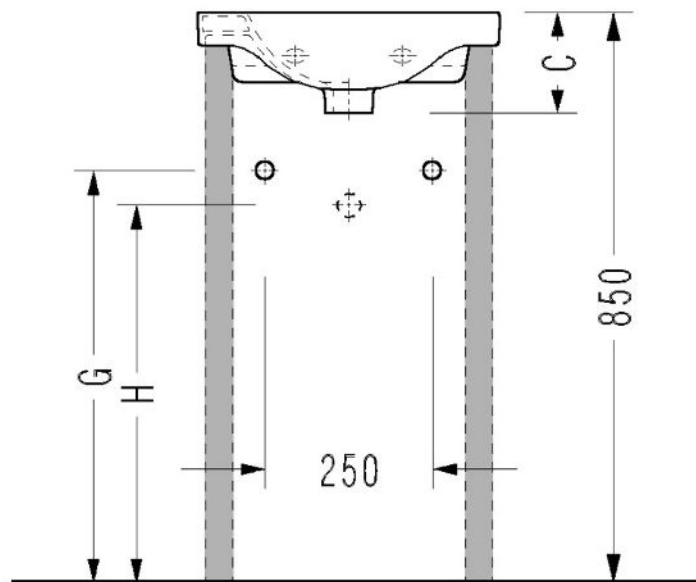
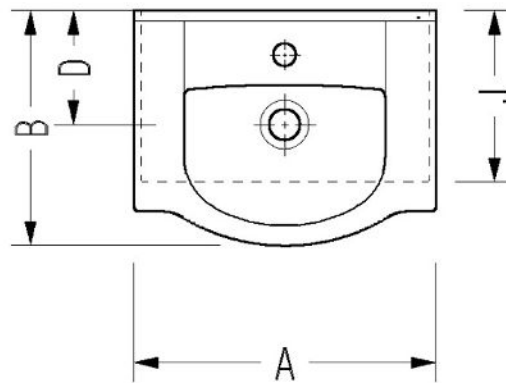
TSEK

ASSEMBLY KIT

- 150400300177 / Washbasin Assembly Kit
- 150400300011 / Overflow Ring

WEIGHT

7.900 kg.



	A	B	C	D	G	H	J
1846	400	350	150	170	620	590	250
1847	450	350	150	170	620	590	250

PS

G and H dimensions which at technical drawings are for using syphons w/o pop-up. These dimensions should be draw 30mm when using syphons with pop-up.

WASHBASINS WITH SHELVES

**PRODUCT NAME**

2837 / Washbasin (furniture)

STANDARD

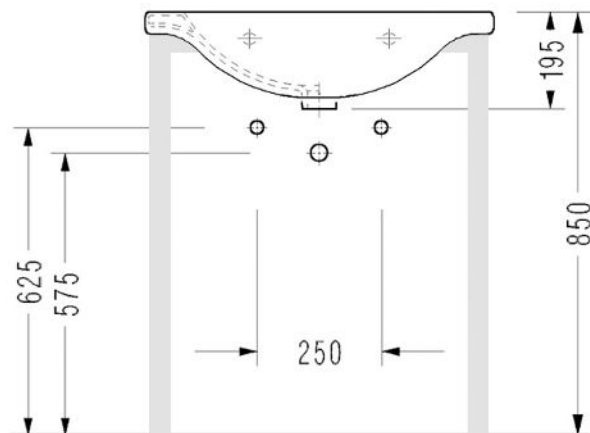
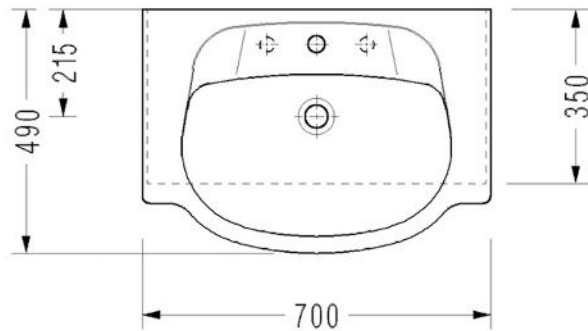
TSEK

ASSEMBLY KIT

- 150400300177 / Washbasin Assembly
- 150400300011 / Overflow Ring

WEIGHT

17.260 kg.



PS

625 and 575 dimensions which at technical drawings are for using syphons w/o pop-up. These dimensions should be draw 30mm when using syphons with pop-up.

WASHBASINS WITH SHELVES



PRODUCT NAME

2861 / Washbasin (furniture)

STANDARD

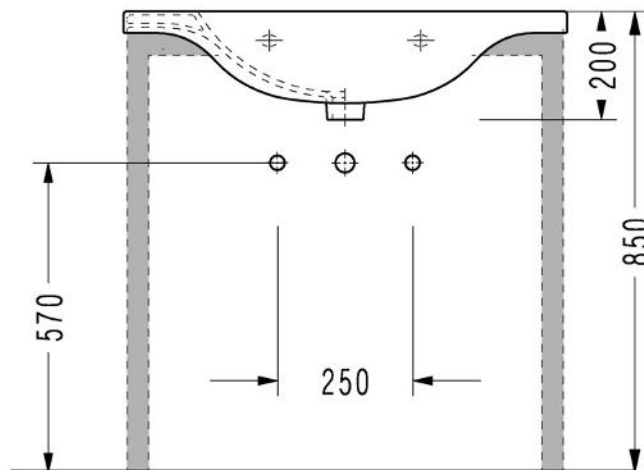
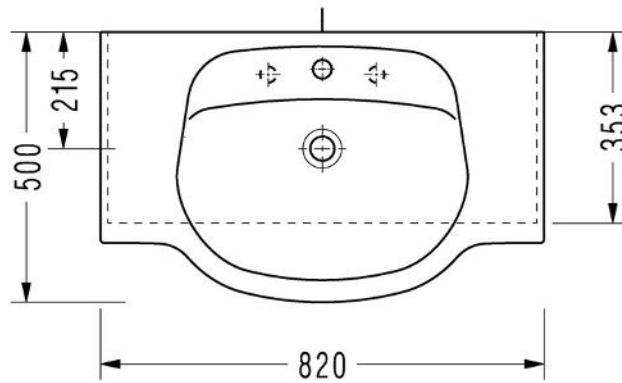
TSEK

ASSEMBLY KIT

- 150400300177 / Washbasin Assembly Kit
- 150400300011 / Overflow Ring

WEIGHT

19.600 kg.



PS

570 dimensions which at technical drawings are for using syphons w/o pop-up. These dimensions should be draw 30mm when using syphons with pop-up.

WASHBASINS WITH SHELVES



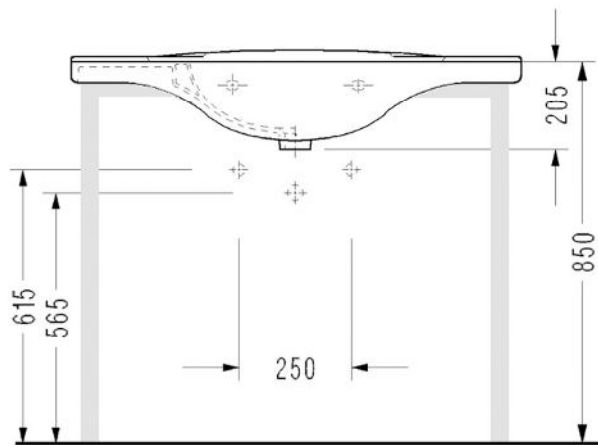
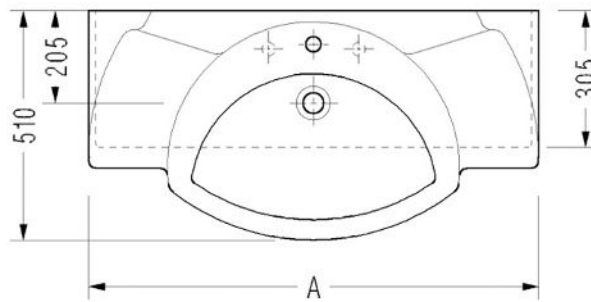
PRODUCT NAME
5935 / Washbasin (furniture)

STANDARD
TSEK

ASSEMBLY KIT

- 150400300177 / Washbasin Assembly Kit
- 150400300011 / Overflow Ring

WEIGHT
22.200 kg.



	A
5937	800
5939	900
5935	1000

PS
615 and 565 dimensions which at technical drawings are for using syphons w/o pop-up. These dimensions should be draw 30mm when using syphons with pop-up.

WASHBASINS WITH SHELVES



PRODUCT NAME

5937 / Washbasin (furniture)

STANDARD

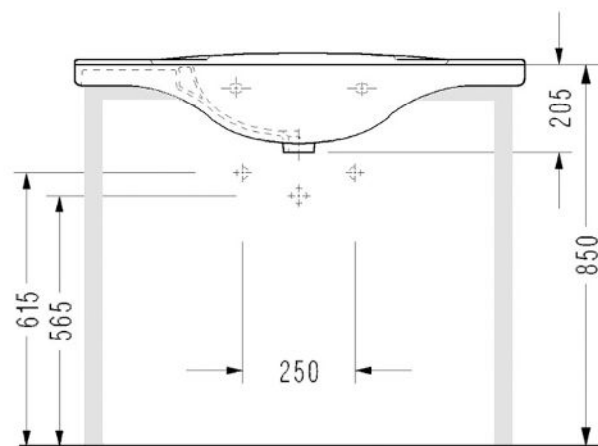
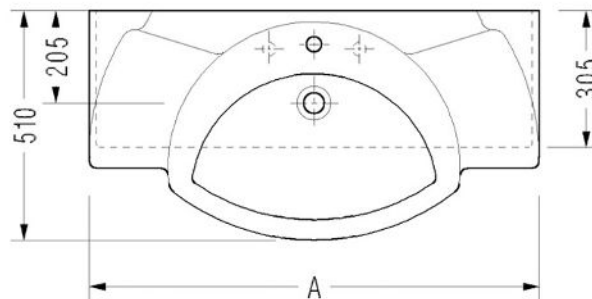
TSEK

ASSEMBLY KIT

- 150400300177 / Washbasin Assembly Kit
- 150400300011 / Overflow Ring

WEIGHT

20.350 kg.



	A
5937	800
5939	900
5935	1000

PS

615 and 565 dimensions which at technical drawings are for using syphons w/o pop-up. These dimensions should be draw 30mm when using syphons with pop-up.

WASHBASINS WITH SHELVES



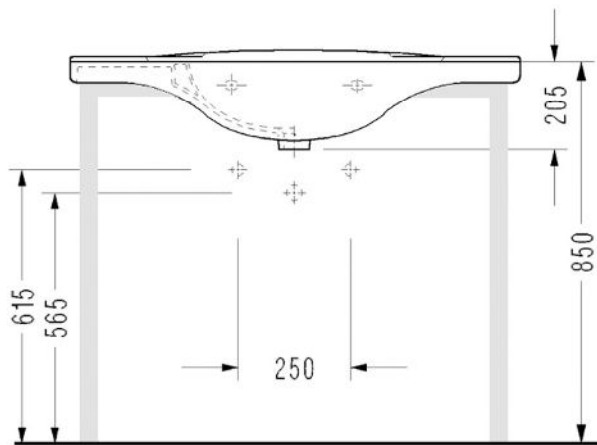
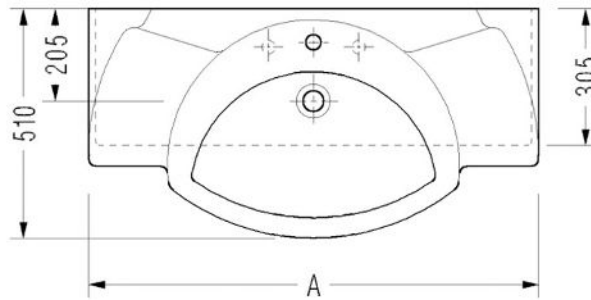
PRODUCT NAME
5939 / Washbasin (furniture)

STANDARD
TSEK

ASSEMBLY KIT

- 150400300177 / Washbasin Assembly Kit
- 150400300011 / Overflow Ring

WEIGHT
22.350 kg.



	A
5937	800
5939	900
5935	1000

PS
615 and 565 dimensions which at technical drawings are for using syphons w/o pop-up. These dimensions should be draw 30mm when using syphons with pop-up.

VANITY WASHBASINS

PRODUCT NAME

0501 / Ellipse Washbasin (under counter)

STANDARD

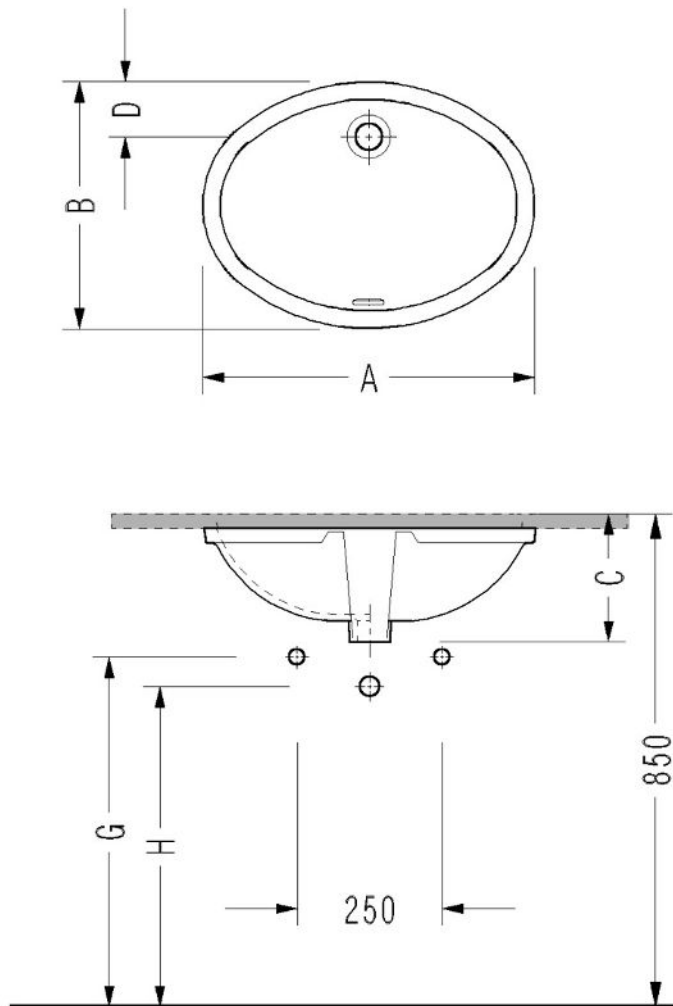
TS EN 14688

ASSEMBLY KIT

- 150400300011 / Overflow Ring
- 150400300030 / Under Counter Washbasin Assembly Set

WEIGHT

10.010 kg.



	A	B	C	D	G	H
0551	470	355	215	90	605	555
0501	580	435	220	95	600	550

ATTENTION

Pls use original product as a template when giving to shape of shelf.

PS

G and H dimensions which at technical drawings are for using syphons w/o pop-up. These dimensions should be draw 30mm when using syphons with pop-up.

FRIENDLY

PRODUCT NAME

6706 / P-Trap Close Coupled WC Pan

STANDARD

TS 800 EN 997

ASSEMBLY KIT

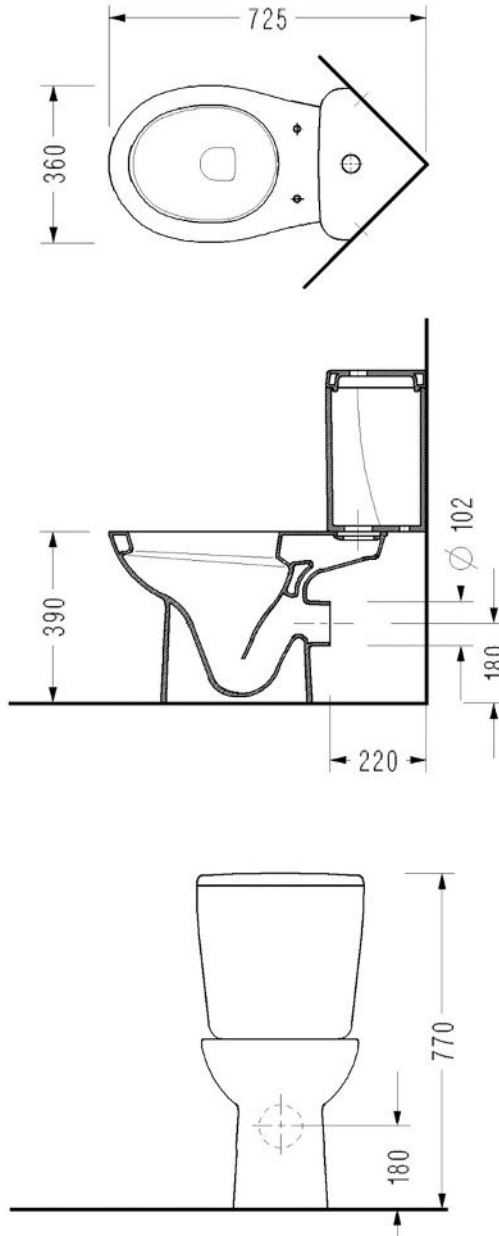
- 150400300217 / Assembly Set With Adjustable Strip
- 150400300305 / 265mm. Hidden Lustration System
- 150400300052 / Straight Pipe
- 150400300181 / Flexible Trap Adapter

SUITABLE SEAT COVER

- 2006100002 / GEDIZ Duroplast Seat Cover
- 2206100002 / GEDIZ Duroplast Seat Cover (anti-bacteriyal)
- 2026100002 / GEDIZ Duroplast Seat Cover (plastic hinge)
- 2226100002 / GEDIZ Duroplast Seat Cover (plastic hinge) (anti-bacterial)

WEIGHT

19.500 kg.



PRODUCT NAME

6724 / Corner Cistern

STANDARD

TS 823

CISTERN WATER ENTRY

Bottom

SUITABLE MECHANISM

- 102113047 / ECA
- 150400400079 / SEREL

WEIGHT

10.400 kg.

FRIENDLY

PRODUCT NAME

6712 / BTW Close Coupled WC Pan

STANDARD

TS 800 EN 997

ASSEMBLY KIT

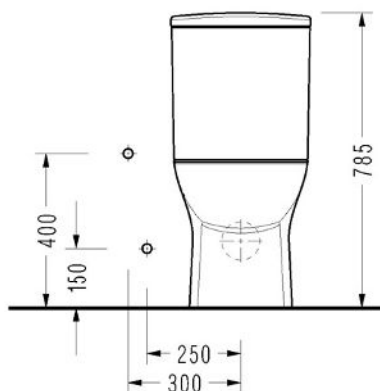
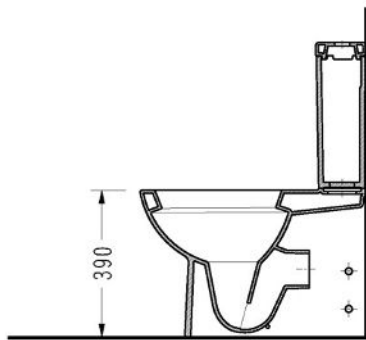
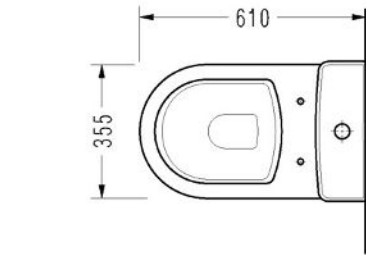
- 150400300217 / Assembly Set with Adjustable Strip
- 150400300057 / S-Elbow Pipe
- 150400300052 / Straight Pipe
- 150400300056 / Closing Cap
- 150400300214 / 90° Connection Adapter (2 Pcs)
- 150400300192 / 305mm. Clean Water Hose (3/8" bushed hose)
- 150400300194 / BTW Hidden Lustration System (180mm.) (90° built-in system)

SUITABLE SEAT COVER

- 2036001002 / SPIL SilentClose Duroplast Seat Cover
- 2236001002 / SPIL SilentClose Duroplast Seat Cover (anti-bacterial)
- 2006001002 / SPIL Duroplast Seat Cover
- 2206001002 / SPIL Duroplast Seat Cover (anti-bacterial)

WEIGHT

25.520 kg.



PRODUCT NAME

6748 / Cistern

STANDARD

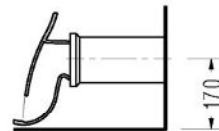
TS 823

SUITABLE MECHANISM

- 150400400003 / Internal Kit

WEIGHT

13.020 kg.



FRIENDLY

PRODUCT NAME

6716 / Semi BTW Close Coupled WC Pan

STANDARD

TS 800 EN 997

ASSEMBLY KIT

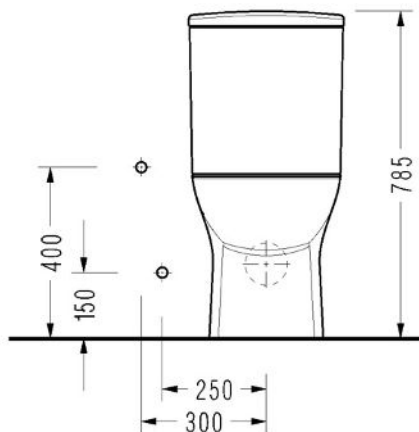
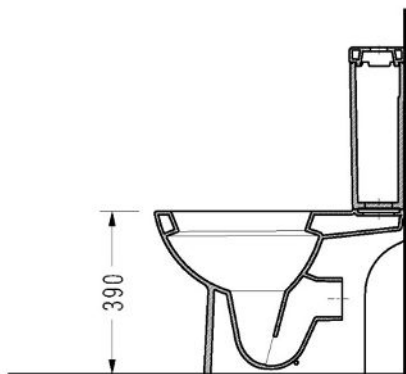
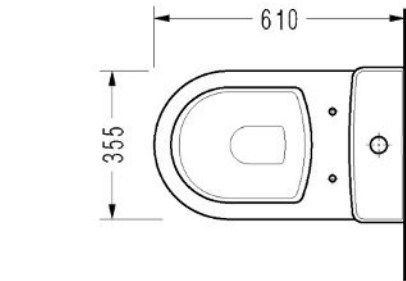
- 150400300217 / Assembly Set with Adjustable Strip
- 150400300057 / S-Elbow Pipe
- 150400300052 / Straight Pipe
- 150400300194 / BTW Hidden Lustration System for WC Pan (180mm.) (90° built-in system)

SUITABLE SEAT COVER

- 2036001002 / SPIL SilentClose Duroplast Seat Cover
- 2236001002 / SPIL SilentClose Duroplast Seat Cover (anti-bacterial)
- 2006001002 / SPIL Duroplast Seat Cover
- 2206001002 / SPIL Duroplast Seat Cover (anti-bacterial)

WEIGHT

23.400 kg.

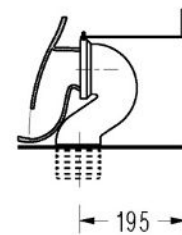
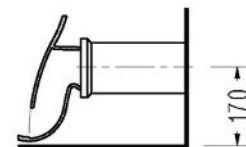


PRODUCT NAME
6748 / Cistern

STANDARD
TS 823

SUITABLE MECHANISM
• 150400400003 / Internal Kit

WEIGHT
13.020 kg.



FRIENDLY

PRODUCT NAME

6711 / BTW Single WC Pan

STANDARD

TS 800 EN 997

ASSEMBLY KIT

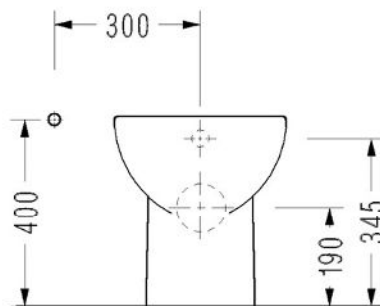
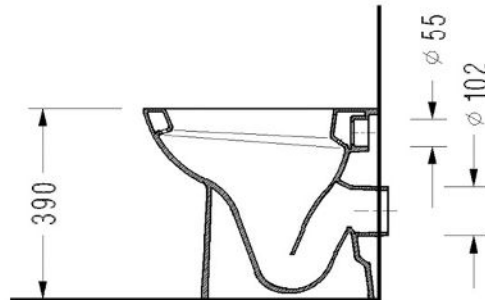
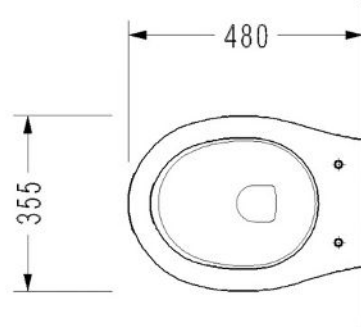
- 150400300217 / Assembly Set with Adjustable Strip

SUITABLE SEAT COVER

- 2006100002 / GEDIZ Duroplast Seat Cover
- 2206100002 / GEDIZ Duroplast Seat Cover (anti-bacterial)
- 2026100002 / GEDIZ Duroplast Seat Cover (plastic hinge)
- 2226100002 / GEDIZ Duroplast Seat Cover (plastic hinge) (anti-bacterial)

WEIGHT

19.740 kg.



Lila & Damla



PRODUCT NAME
7601 / Washbasin

STANDARD
TS EN 14688

ASSEMBLY KIT

- 150400300177 / Washbasin Assembly Kit
- 150400300011 / Overflow Ring

SUITABLE PEDESTAL

- 7605 / Full Pedestal
- F005 / Full Pedestal
- 7621 / Semi Pedestal

WEIGHT
14.020 kg.

PRODUCT NAME
7605 / Full Pedestal

SUITABLE WASHBASIN

- 7601 / Washbasin
- 7642 / Washbasin
- 7637 / Washbasin

WEIGHT
10.650 kg.

PRODUCT NAME
7621 / Semi Pedestal

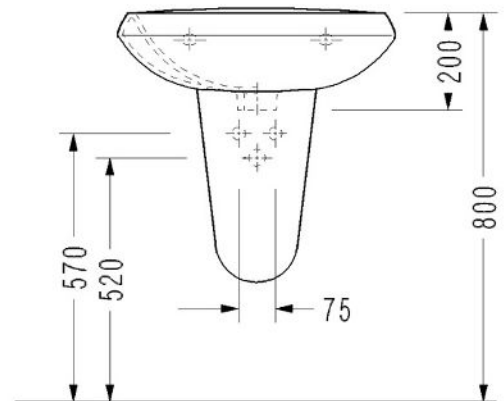
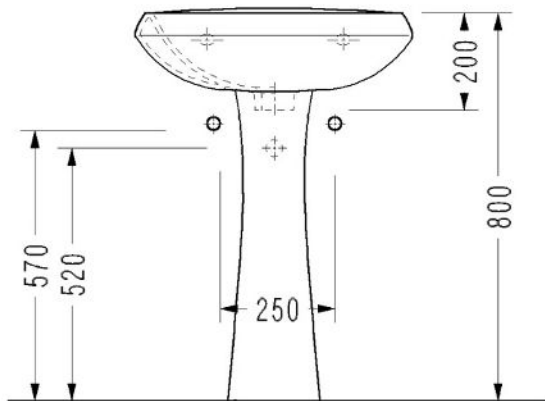
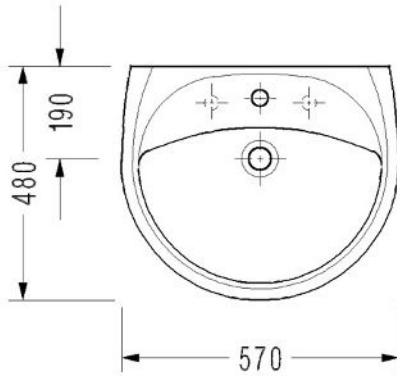
ASSEMBLY KIT

- 150400300017 / WC Pan, Bidet Semi Pedestal Assembly Kit

SUITABLE WASHBASIN

- 7601 / Washbasin
- 7642 / Washbasin

WEIGHT
6.290 kg.



PS

570 and 520 dimensions which at technical drawings are for using syphons w/o pop-up. These dimensions should be draw 30mm when using syphons with pop-up.

Lila & Damla

PRODUCT NAME
9440 / Cistern Top Washbasin

SUITABLE CISTERN
• 9448 / Cistern

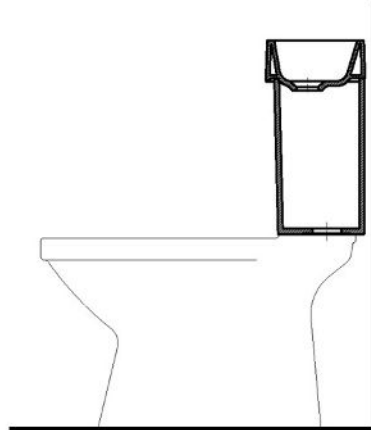
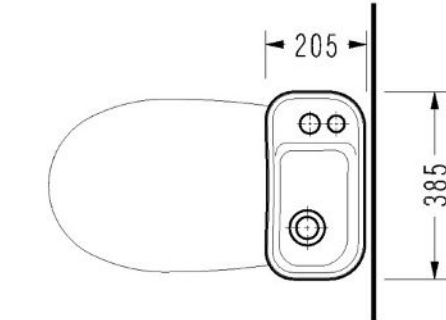
WEIGHT
4.670 kg.



PRODUCT NAME
9448 / Cistern

STANDARD
TS 823

WEIGHT
9.610 kg.



Lila & Damla

PRODUCT NAME

9402 / S-Trap Close Coupled WC Pan

STANDARD

TS 800 EN 997

ASSEMBLY KIT

- 150400300017 / WC Pan, Bidet and Semi Pedestal Assembly Kit
- 150400300035 / Eccantrical Trap Adapter
- 150400300032 / 336mm. Hidden Lustration System

SUITABLE SEAT COVER

- 2006100002 / GEDIZ Duroplast Seat Cover
- 2206100002 / GEDIZ Duroplast Seat Cover (anti-bacterial)
- 2026100002 / GEDIZ Duroplast Seat Cover (plastic hinge)
- 2226100002 / GEDIZ Duroplast Seat Cover (plastik hinge) (anti-bacterial)

WEIGHT

19.940 kg.



PRODUCT NAME

9448 / Cistern

STANDARD

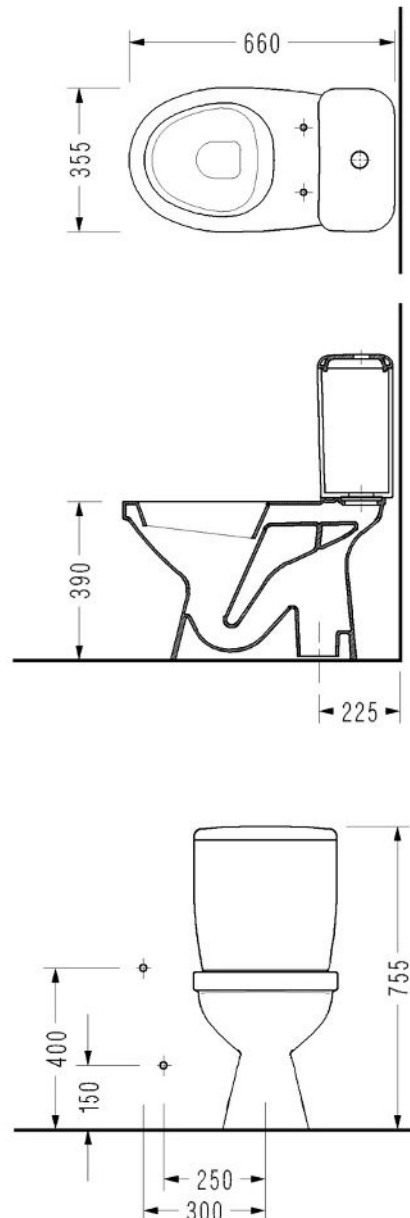
TS 823

SUITABLE MECHANISM

- 150400400003 / Internal Set

WEIGHT

9.610 kg.



Lila & Damla

PRODUCT NAME
9406 / P-Trap Close Coupled WC Pan

STANDARD
TS 800 EN 997

ASSEMBLY KIT

- 150400300017 / WC Pan, Bidet and Semi Pedestal Assembly Set
- 150400300185 / 315mm. Hidden Lustration System
- 150400300052 / Straight Pipe (according to order)

SUITABLE SEAT COVER

- 2006100002 / GEDIZ Duroplast Seat Cover
- 2206100002 / GEDIZ Duroplast Seat Cover (anti-bacterial)
- 2026100002 / GEDIZ Duroplast Seat Cover (plastic hinge)
- 2226100002 / GEDIZ Duroplast Seat Cover (plastic hinge) (anti-bacterial)

WEIGHT
16.260 kg.



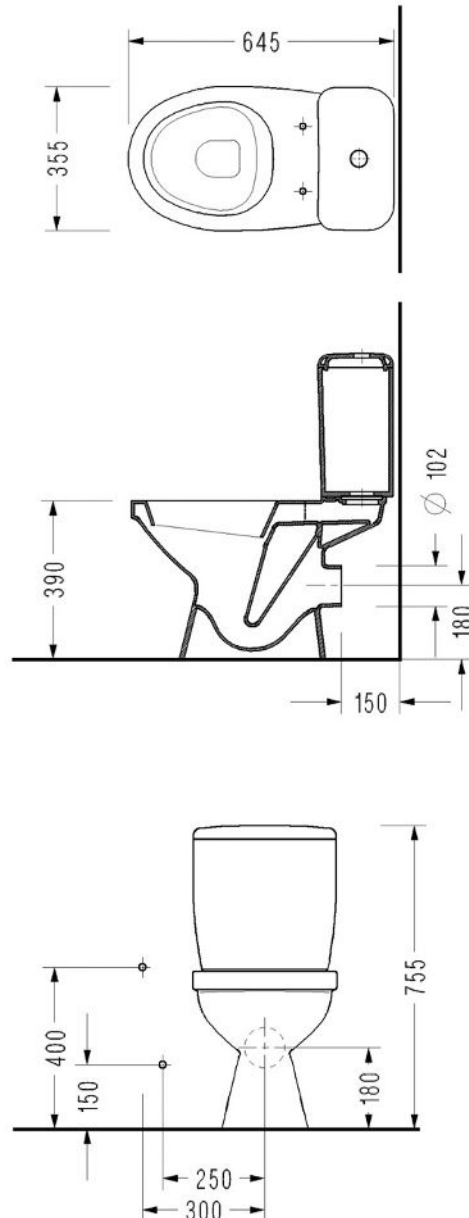
PRODUCT NAME
9448 / Cistern

STANDARD
TS 823

SUITABLE MECHANISM

- 150400400003 / Internal set

WEIGHT
9.610 kg.



Lila & Damla

PRODUCT NAME
DM02 / S-Trap Close Coupled WC Pan

STANDARD
TS 800 EN 997

ASSEMBLY KIT

- 150400300217 / Assembly Set with Adjustable Strip
- 150400300035 / Eccentric Trap Adapter
- 150400300247 / 295mm. Hidden Lustration System

SUITABLE SEAT COVER

- 2006100002 / GEDIZ Duroplast Seat Cover
- 2206100002 / GEDIZ Duroplast Seat Cover (anti-bacterial)
- 2026100002 / GEDIZ Duroplast Seat Cover (plastic hinge)
- 2226100002 / GEDIZ Duroplast Seat Cover (plastic hinge) (anti-bacterial)

WEIGHT
21.670 kg.



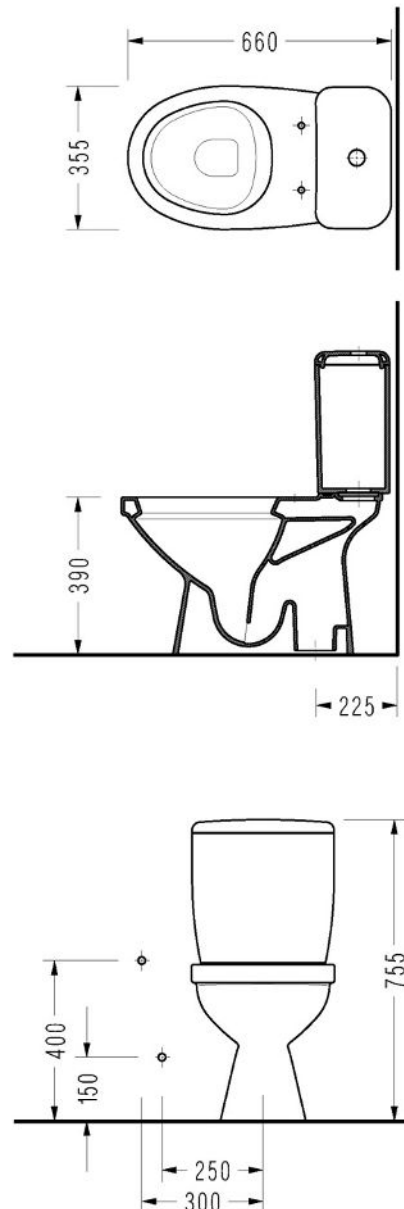
PRODUCT NAME
9448 / Cistern

STANDARD
TS 823

SUITABLE MECHANISM

- 150400400003 / Internal Set

WEIGHT
9.610 kg.



Lila & Damla

PRODUCT NAME

DM06 / P-Trap Close Coupled WC Pan

STANDARD

TS 800 EN 997

ASSEMBLY KIT

- 150400300217 / Assembly Set With Adjustable Strip
- 150400300241 / BTW Hidden Lustration System (285mm.)
- 150400300052 / Straight Pipe (according to order)

SUITABLE SEAT COVER

- 2006100002 / GEDIZ Duroplast Seat Cover
- 2206100002 / GEDIZ Duroplast Seat Cover (anti-bacterial)
- 2026100002 / GEDIZ Duroplast Seat Cover (plastic hinge)
- 2226100002 / GEDIZ Duroplast Seat Cover (plastic hinge) (anti-bacterial)

WEIGHT

20.000 kg.

**PRODUCT NAME**

9448 / Cistern

STANDARD

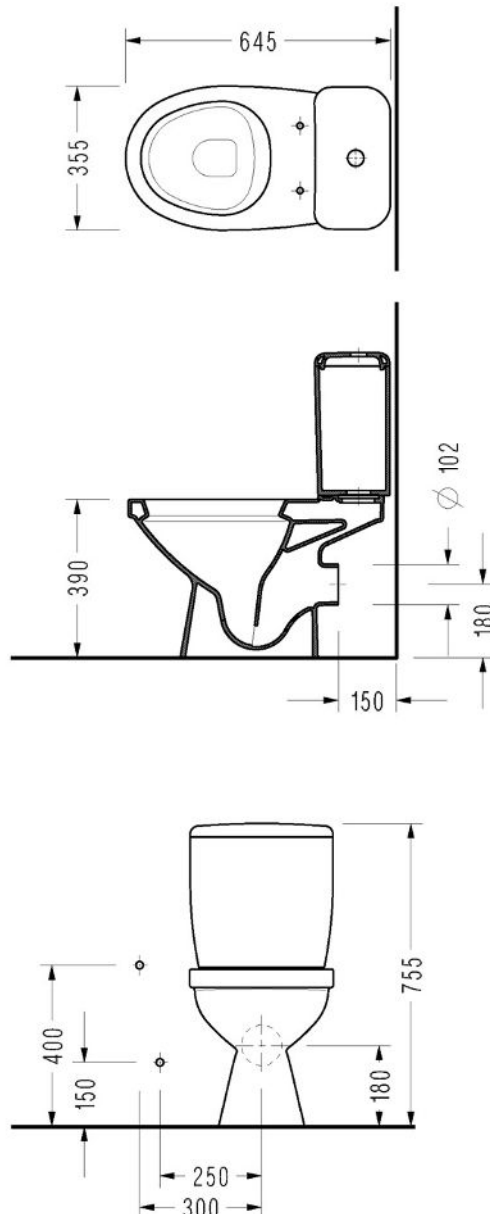
TS 823

SUITABLE MECHANISM

- 150400400003 / Internal Set

WEIGHT

9.610 kg.



ENA

PRODUCT NAME
6301 / Washbasin

STANDARD
TS EN 14688

ASSEMBLY KIT

- 150400300177 / Washbasin Assembly Kit
- 150400300011 / Overflow Ring

SUITABLE PEDESTAL

- 6305 / Full Pedestal
- F005 / Full Pedestal

WEIGHT
14.110 kg.

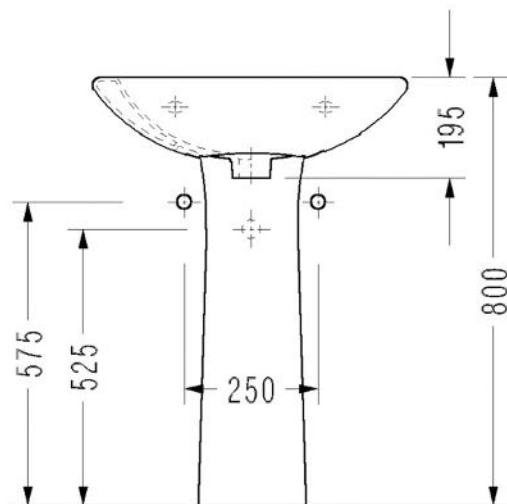
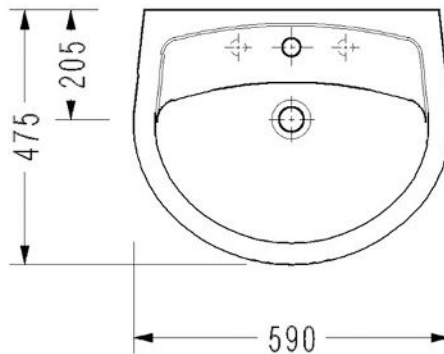


PRODUCT NAME
6305 / Full Pedestal

SUITABLE WASHBASIN

- 6301 / Washbasin

WEIGHT
12.070 kg.



PS

525 and 575 dimensions which at technical drawings are for using syphons w/o pop-up. These dimensions should be draw 30mm when using syphons with pop-up.

ENA

PRODUCT NAME

7911 / BTW Close Coupled WC Pan

STANDARD

TS 800 EN 997

ASSEMBLY KIT

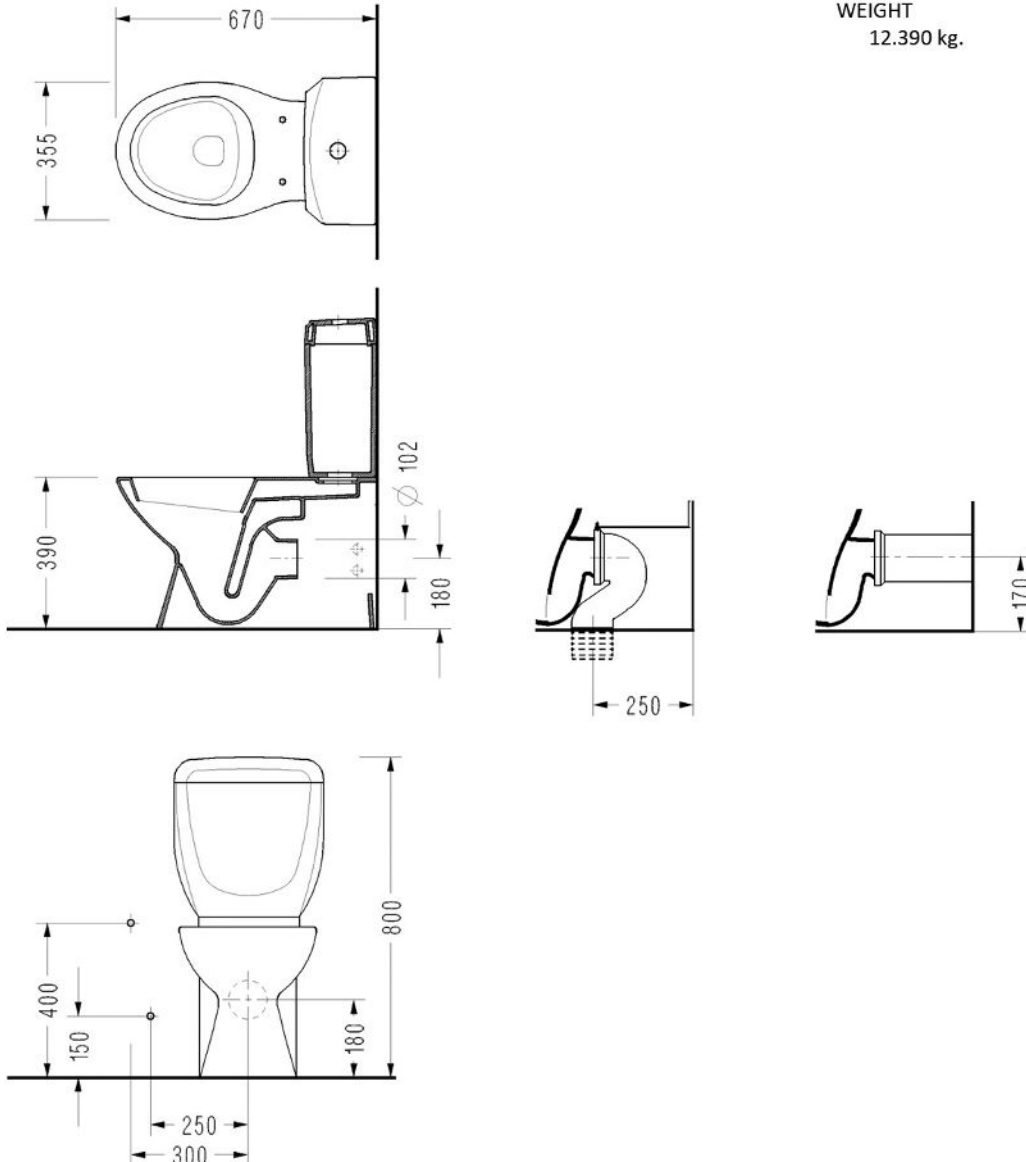
- 150400300017 / WC Pan, Bidet and Semi Pedestal Assembly Set
- 150400300057 / SEREL "S" Type PVC Pipe
- 150400300056 / Closing Cap
- 150400300214 / Connection Adapter 90°
- 150400300192 / 305mm. Clean Water Entry Pipe (3/8" bushed hose)
- 150400300052 / Straight Pipe

SUITABLE SEAT COVER

- 2006100002 / GEDIZ Duroplast Seat Cover
- 2206100002 / GEDIZ Duroplast Seat Cover (anti-bacterial)
- 2026100002 / GEDIZ Duroplast Seat Cover (plastic hinge)
- 2226100002 / GEDIZ Duroplast Seat Cover (plastic hinge) (anti-bacterial)

WEIGHT

26.060 kg.



PRODUCT NAME

7648 / Cistern

STANDARD

TS 823

CISTERN WATER ENTRY

Bottom

SUITABLE MECHANISM

- 102113047 / ECA
- 150400400079 / SEREL

WEIGHT

12.390 kg.

SARDES

PRODUCT NAME
7901 / Washbasin

STANDARD
TS EN 14688

ASSEMBLY KIT

- 150400300177 / Washbasin Assembly Kit
- 150400300011 / Overflow Ring

SUITABLE PEDESTAL

- 7905 / Full Pedestal
- F005 / Full Pedestal

WEIGHT
15.050 kg.

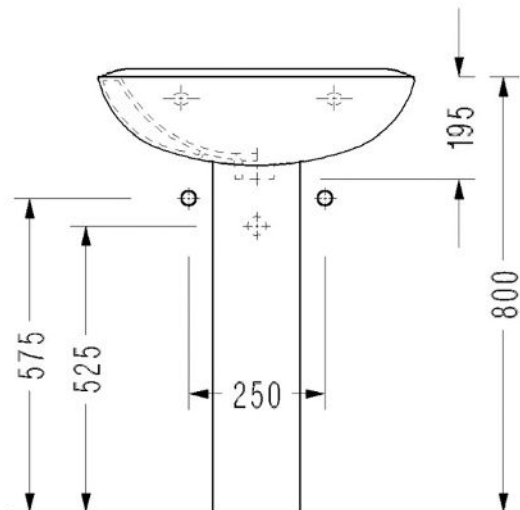
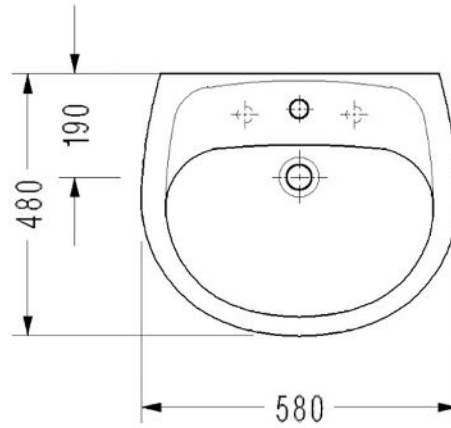


PRODUCT NAME
7905 / Full Pedestal

SUITABLE WASHBASIN

- 7901 / Washbasin

WEIGHT
11.540 kg.



PS

525 and 575 dimensions which at technical drawings are for using syphons w/o pop-up. These dimensions should be draw 30mm when using syphons with pop-up.

SARDES

PRODUCT NAME
7902 / S-Trap Close Coupled WC Pan

STANDARD
TS 800 EN 997

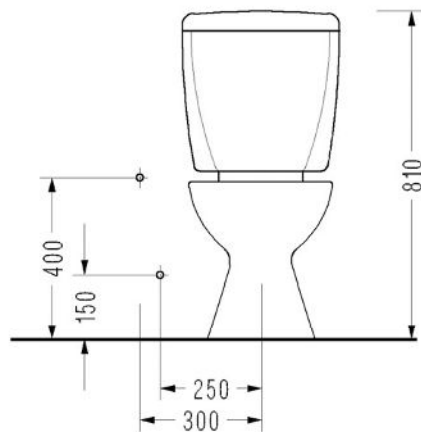
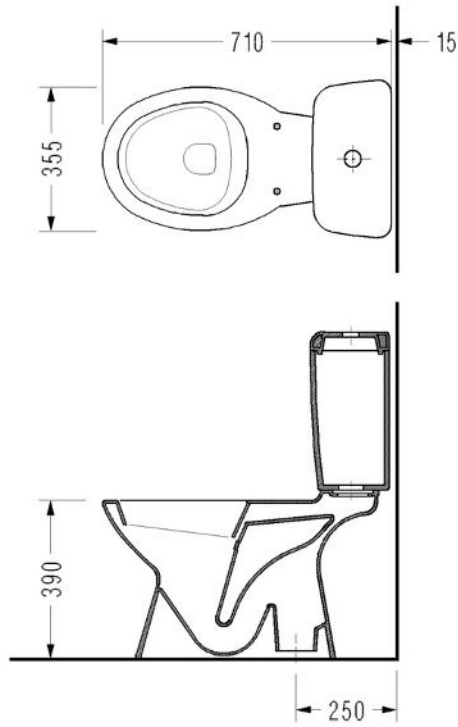
ASSEMBLY KIT

- 150400300017 / WC Pan, Bidet and Semi Pedestal Assembly Set
- 150400300035 / Eccentric Trap Adapter
- 150400300168 / 360mm. Hidden Lustration System

SUITABLE SEAT COVER

- 2006100002 / GEDIZ Duroplast Seat Cover
- 2206100002 / GEDIZ Duroplast Seat Cover (anti-bacterial)
- 2026100002 / GEDIZ Duroplast Seat Cover (plastic hinge)
- 2226100002 / GEDIZ Duroplast Seat Cover (plastic hinge) (anti-bacterial)

WEIGHT
18.580 kg.



PRODUCT NAME
7904 / Cistern

STANDARD
TS 823

CISTERN WATER ENTRY
Bottom

SUITABLE MECHANISM

- 102113047 / ECA
- 150400400079 / SEREL

WEIGHT
12.950 kg.

SARDES

PRODUCT NAME

7906 / P-Trap Close Coupled WC Pan

STANDARD

TS 800 EN 997

ASSEMBLY KIT

- 150400300017 / WC Pan, Bidet and Semi Pedestal Assembly Set
- 150400300035 / Eccentric Trap Adapter
- 150400300168 / 360mm. Hidden Lustration System
- 150400300052 / Straight Pipe

SUITABLE SEAT COVER

- 2006100002 / GEDIZ Duroplast Seat Cover
- 2206100002 / GEDIZ Duroplast Seat Cover (anti-bacterial)
- 2026100002 / GEDIZ Duroplast Seat Cover (plastic hinge)
- 2226100002 / GEDIZ Duroplast Seat Cover (plastic hinge) (anti-bacterial)

WEIGHT

16.110 kg.



PRODUCT NAME

7904 / Cistern

STANDARD

TS 823

CISTERN WATER ENTRY

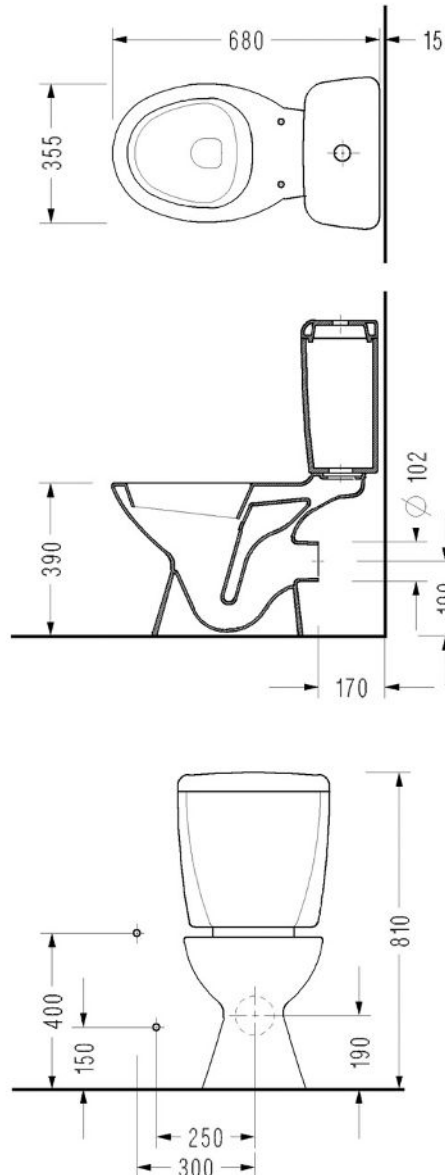
Bottom

SUITABLE MECHANISM

- 102113047 / ECA
- 150400400079 / SEREL

WEIGHT

12.950 kg.





ZAMBAK

PRODUCT NAME
6301 / Washbasin

STANDARD
TS EN 14688

ASSEMBLY KIT
• 150400300177 / Washbasin Assembly Set
• 150400300011 / Overflow Ring

SUITABLE PEDESTAL
• 6305 / Full Pedestal
• F005 / Full Pedestal
• 6322 / Semi Pedestal

WEIGHT
14.110 kg.

PRODUCT NAME
6305 / Full Pedestal

SUITABLE WASHBASIN
• 6301 / Washbasin

WEIGHT
12.070 kg.

PRODUCT NAME
6322 / Semi Pedestal

SUITABLE WASHBASIN
• 6301 / Washbasin

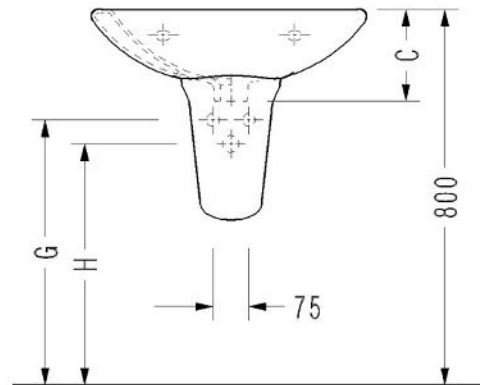
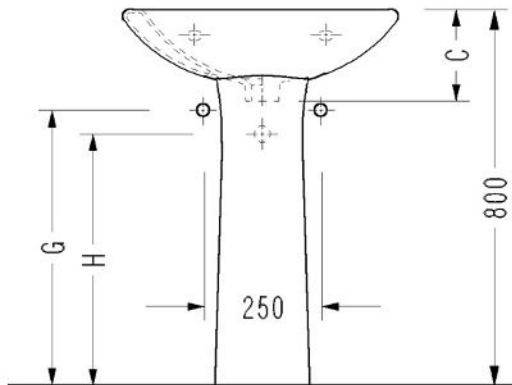
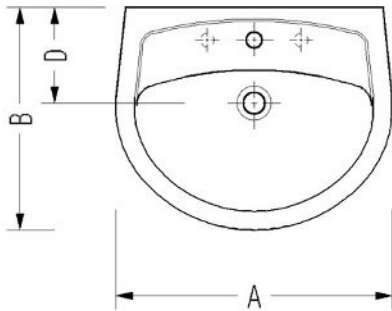
WEIGHT
6.710 kg.

PRODUCT NAME
6323 / Semi Pedestal

ASSEMBLY KIT
• 150400300067
Hooked System Assembly Kit

SUITABLE WASHBASIN
• 6340 / Washbasin

WEIGHT
4.970 kg.



	A	B	C	D	G	H
(*) 6340	450	360	160	165	610	560
6301	590	465	195	205	575	525

PS

G and H dimensions which at technical drawings are for using syphons w/o pop-up.
These dimensions should be draw 30mm when using syphons with pop-up.

(*)6340 coded washbasin can use with 6323 coded full pedestal , it is not suitable to use with semi pedestal.

ZAMBAK



PRODUCT NAME
6340 / Washbasin

STANDARD
TS EN 14688

ASSEMBLY KIT
• 150400300177 / Washbasin Assembly Set
• 150400300011 / Overflow Ring

SUITABLE PEDESTAL
• 6323 / Semi Pedestal

WEIGHT
7.600 kg.

PRODUCT NAME
6305 / Full Pedestal

SUITABLE WASHBASIN
• 6301 / Washbasin

WEIGHT
12.070 kg.

PRODUCT NAME
6322 / Semi Pedestal

SUITABLE WASHBASIN
• 6301 / Washbasin

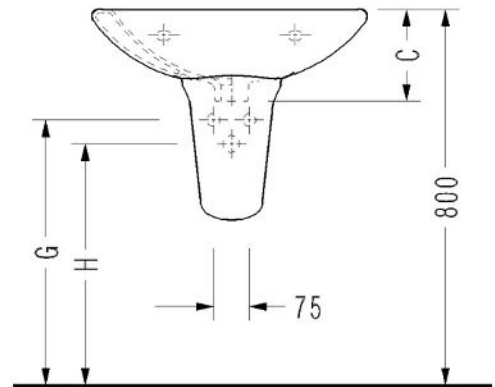
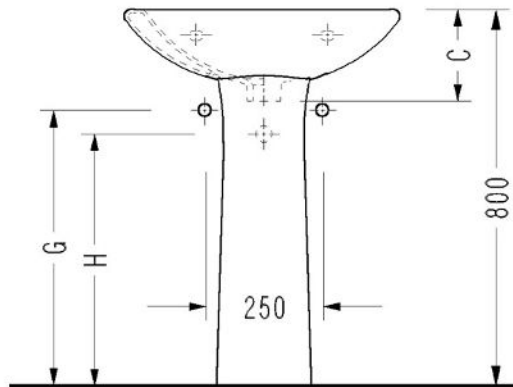
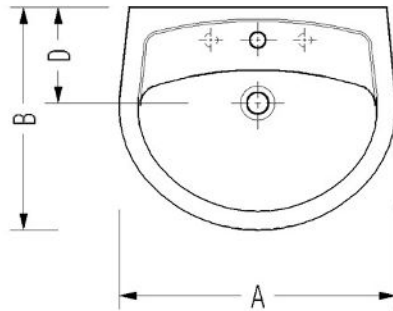
WEIGHT
6.710 kg.

PRODUCT NAME
6323 / Semi Pedestal

ASSEMBLY KIT
• 150400300067
Hooked System Assembly Kit

SUITABLE WASHBASIN
• 6340 / Washbasin

WEIGHT
4.970 kg.



	A	B	C	D	G	H
(*) 6340	450	360	160	165	610	560
6301	590	465	195	205	575	525

PS

G and H dimensions which at technical drawings are for using syphons w/o pop-up.
These dimensions should be draw 30mm when using syphons with pop-up.

(*)6340 coded washbasin can use with 6323 coded full pedestal , it is not suitable to use with semi pedestal.

ZAMBAK

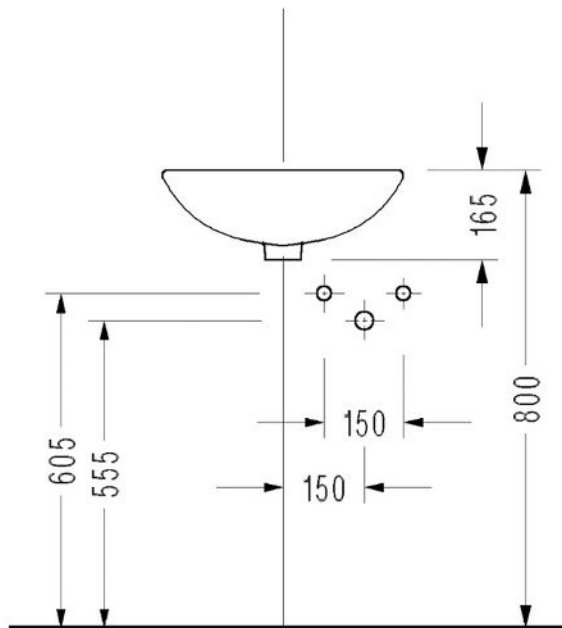
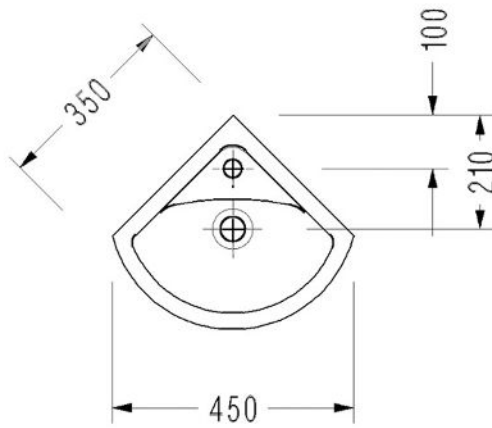
PRODUCT NAME
6336 / Corner Washbasin

STANDARD
TS EN 14688

ASSEMBLY KIT

- 150400300177 / Washbasin Assembly Kit
- 150400300011 / Overflow Ring

WEIGHT
7.910 kg.



PS
605 and 555 dimensions which at technical drawings are for using syphons w/o pop-up. These dimensions should be draw 30mm when using syphons with pop-up.

ZAMBAK

PRODUCT NAME

6316 / P-Trap Close Coupled WC Pan

STANDARD

TS 800 EN 997

ASSEMBLY KIT

- 150400300017 / WC Pan, Bidet and Semi Pedestal Assembly Kit
- 150400300185 / Hidden Lustration System (315mm.)
- 150400300052 / Straight Pipe (optional)

SUITABLE SEAT COVER

- 2006100002 / GEDIZ Duroplast Seat Cover
- 2206100002 / GEDIZ Duroplast Seat Cover (anti-bacterial)
- 2026100002 / GEDIZ Duroplast Seat Cover (plastic hinge)
- 2226100002 / GEDIZ Duroplast Seat Cover (plastic hinge) (anti-bacterial)

WEIGHT

17.850 kg.



PRODUCT NAME

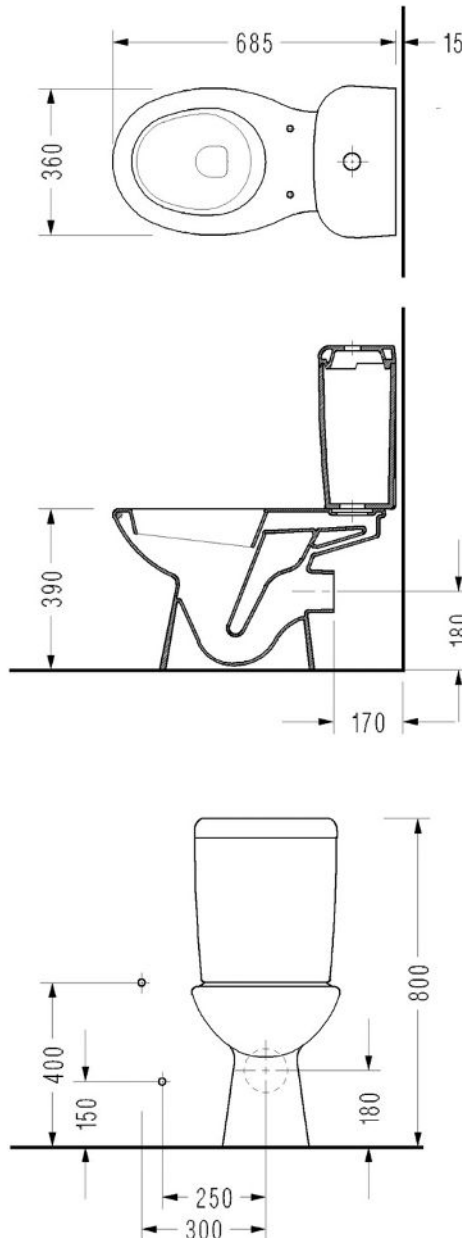
6304 / Cistern

STANDARD

TS 823

WEIGHT

12.460 kg.



VANITY WASHBASINS

PRODUCT NAME

0551 / Ellipse Washbasin (under counter)

STANDARD

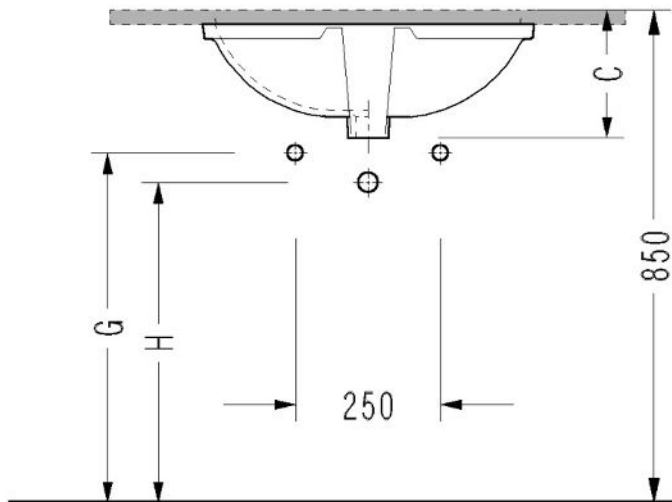
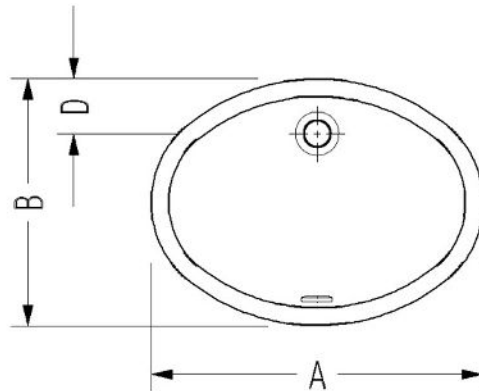
TS EN 14688

ASSEMBLY KIT

- 150400300011 / Overflow Ring
- 150400300030 / Under Counter Washbasin Assembly Set

WEIGHT

5.900 kg.



	A	B	C	D	G	H
0551	470	355	215	90	605	555
0501	580	435	220	95	600	550

ATTENTION

Pls use original product as a template when giving to shape of shelf.

PS

G and H dimensions which at technical drawings are for using syphons w/o pop-up. These dimensions should be draw 30mm when using syphons with pop-up.

VANITY WASHBASINS



PRODUCT NAME

0561 / Rectangular Washbasin (under counter)

STANDARD

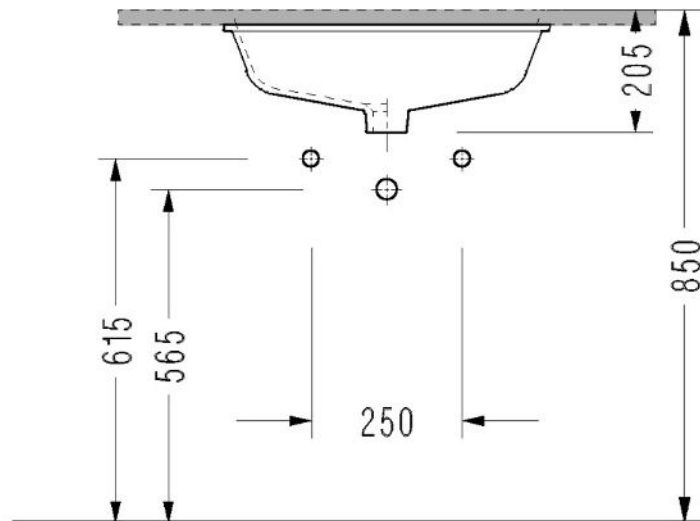
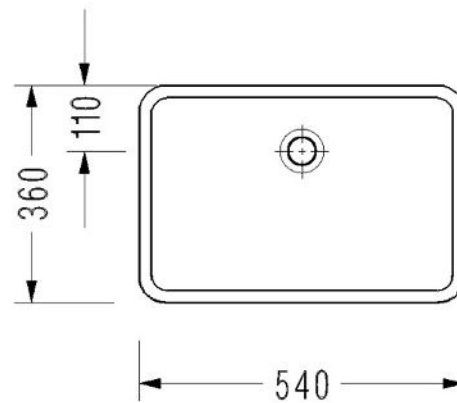
TS EN 14688

ASSEMBLY KIT

- 150400300011 / Overflow Ring
- 150400300030 / Under Counter Washbasin Assembly Kit

WEIGHT

8.920 kg.



ATTENTION

Pls use original product as a template when giving to shape of shelf.

PS

615 and 565 dimensions which at technical drawings are for using syphons w/o pop-up. These dimensions should be draw 30mm when using syphons with pop-up.

VANITY WASHBASINS

PRODUCT NAME

0571 / Oval Washbasin (under counter)

STANDARD

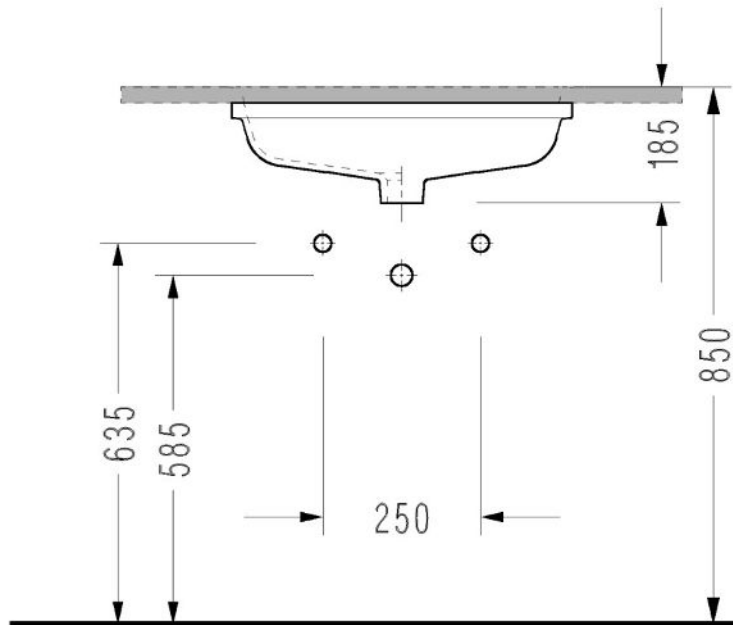
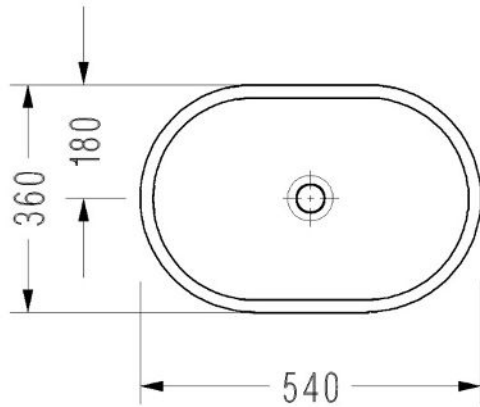
TS EN 14688

ASSEMBLY KIT

- 150400300011 / Overflow Ring
- 150400300030 / Under Counter Washbasin Assembly Set

WEIGHT

6.460 kg.



ATTENTION

Pls use original product as a template when giving to shape of shelf.

PS

635 and 585 dimensions which at technical drawings are for using syphons w/o pop-up. These dimensions should be draw 30mm when using syphons with pop-up.

VANITY WASHBASINS

**PRODUCT NAME**

1835 / Washbasin (semi recessed)

STANDARD

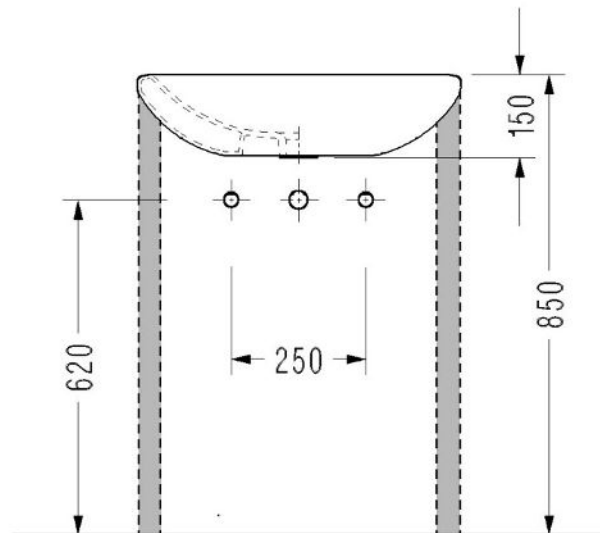
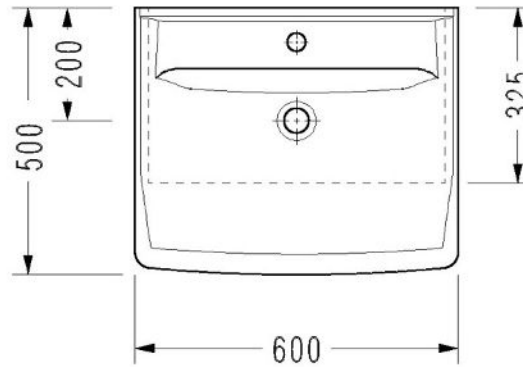
TS EN 14688

ASSEMBLY KIT

- 150400300177 / Washbasin Assembly Kit
- 150400300011 / Overflow Ring

WEIGHT

14.900 kg.



PS

620 dimension which at technical drawings are for using syphons w/o pop-up.
This dimensions should be draw 30mm when using syphons with pop-up.

VANITY WASHBASINS

PRODUCT NAME

1837 / Washbasin (semi recessed)

STANDARD

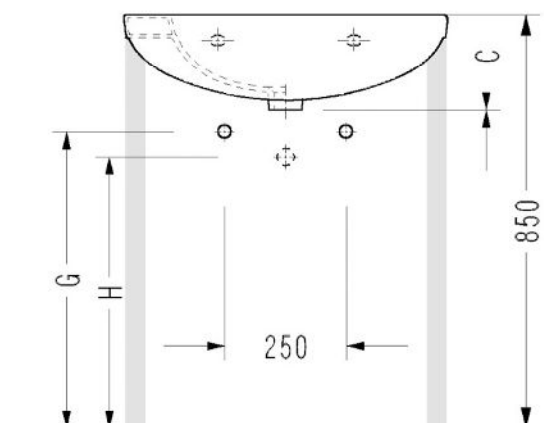
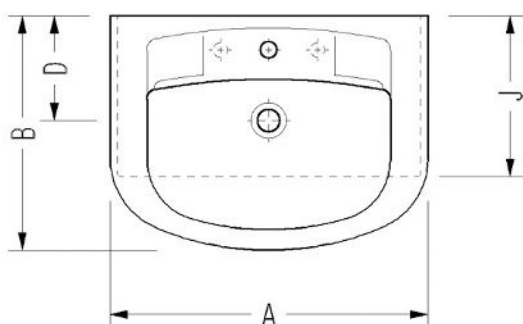
TS EN 14688

ASSEMBLY KIT

- 150400300177 / Washbasin Assembly Kit
- 150400300011 / Overflow Ring

WEIGHT

12.320 kg.



	A	B	C	D	G	H	J
1837	500	420	175	195	645	595	290
1839	650	480	200	215	620	570	330

PS

G and H dimensions which at technical drawings are for using syphons w/o pop-up. These dimensions should be draw 30mm when using syphons with pop-up.

VANITY WASHBASINS

PRODUCT NAME

1839 / Washbasin (semi recessed)

STANDARD

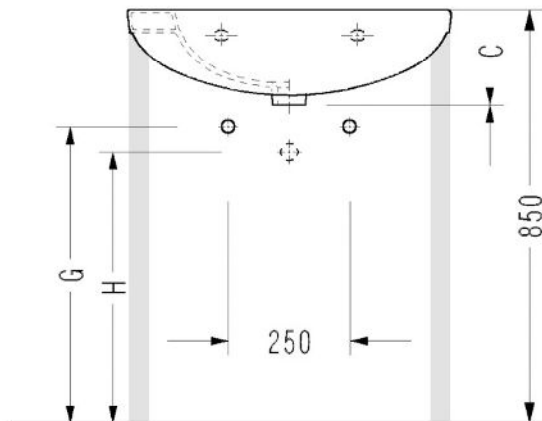
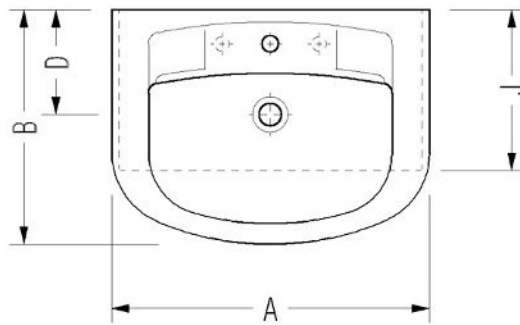
TS EN 14688

ASSEMBLY KIT

- 150400300177 / Washbasin Assembly Kit
- 150400300011 / Overflow Ring

WEIGHT

16.750 kg.



	A	B	C	D	G	H	J
1837	500	420	175	195	645	595	290
1839	650	480	200	215	620	570	330

PS

G and H dimensions which at technical drawings are for using syphons w/o pop-up. These dimensions should be draw 30mm when using syphons with pop-up.

VANITY WASHBASINS

PRODUCT NAME

1840 / Washbasin (semi recessed)

STANDARD

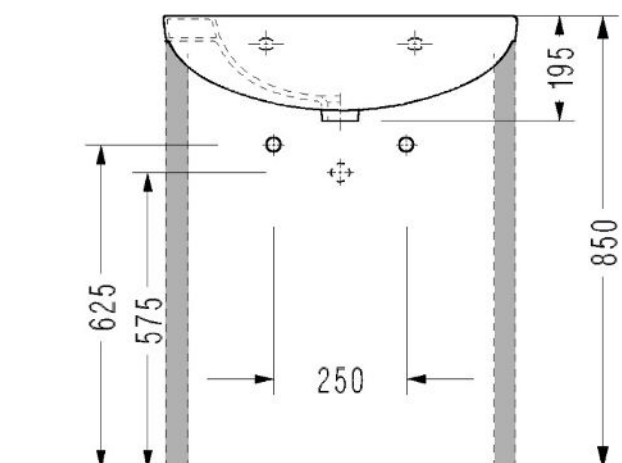
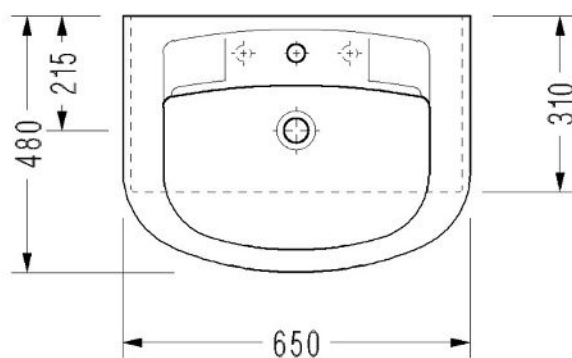
TS EN 14688

ASSEMBLY KIT

- 150400300177 / Washbasin Assembly Kit
- 150400300011 / Overflow Ring

WEIGHT

18.720 kg.



PS
625 and 575 dimensions which at technical drawings are for using syphons w/o pop-up.
These dimensions should be draw 30mm when using syphons with pop-up.

VANITY WASHBASINS

PRODUCT NAME

1841 / Washbasin (countertop)

STANDARD

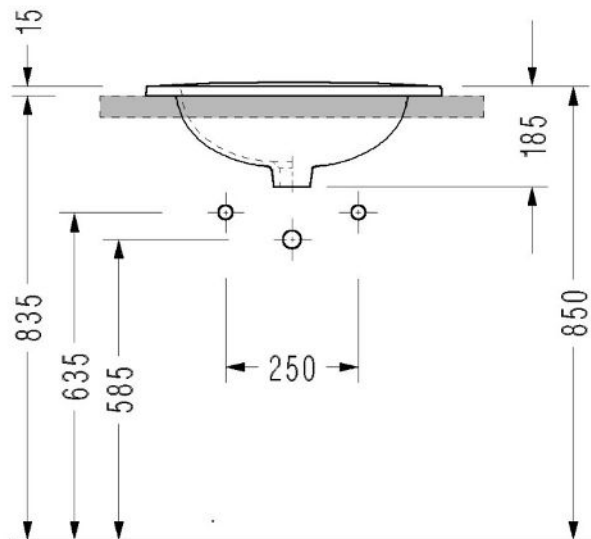
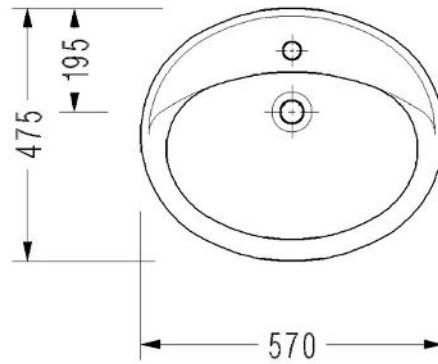
TS EN 14688

ASSEMBLY KIT

- 150400300011 / Overflow Ring

WEIGHT

8.780 kg.



PS

635 and 585 dimensions which at technical drawings are for using syphons w/o pop-up. These dimensions should be draw 30mm when using syphons with pop-up.

VANITY WASHBASINS



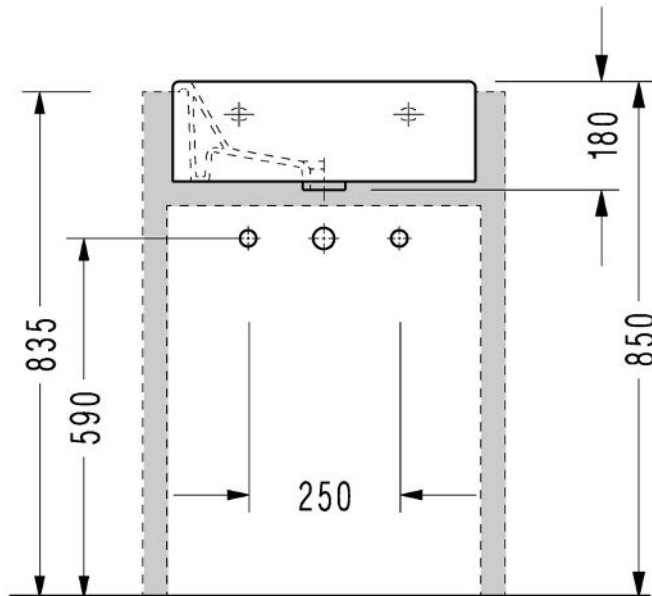
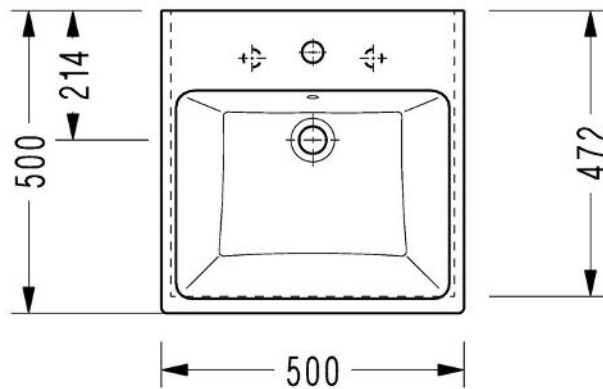
PRODUCT NAME
2043 / Washbasin

STANDARD
TS EN 14688

ASSEMBLY KIT

- 150400300177 / Washbasin Assembly Kit
- 150400300011 / Overflow Ring

WEIGHT
18.000 kg.



PS
590 dimension which at technical drawings are for using syphons w/o pop-up.
This dimension should be draw 30mm when using syphons with pop-up.

VANITY WASHBASINS

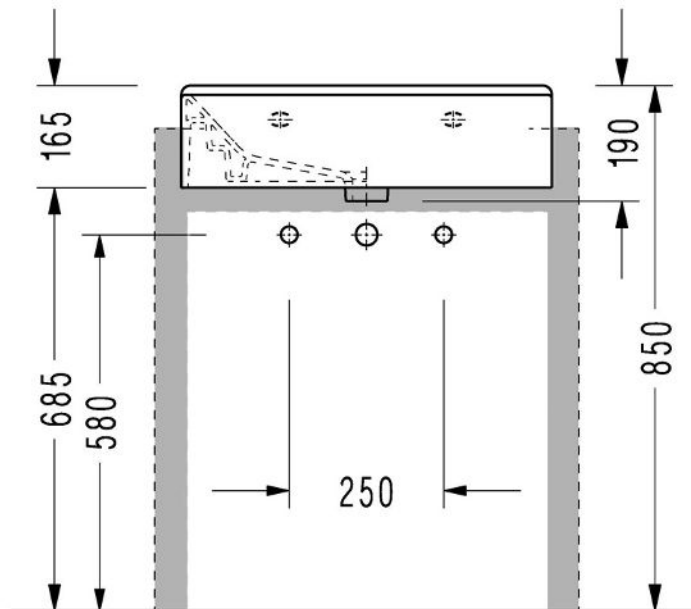
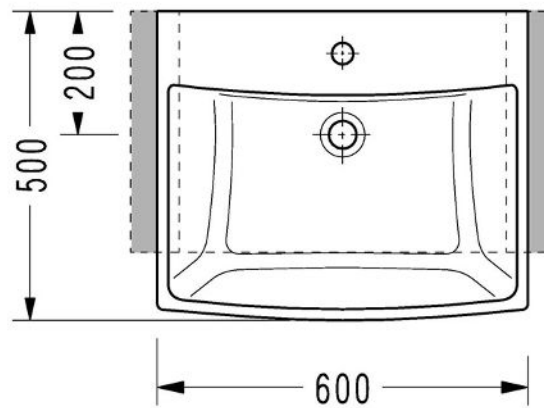
PRODUCT NAME
2044 / Washbasin

STANDARD
TS EN 14688

ASSEMBLY KIT

- 150400300177 / Washbasin Assembly Kit
- 150400300011 / Overflow Ring

WEIGHT
17.820 kg.



PS
580 dimension which at technical drawings are for using syphons w/o pop-up.
This dimension should be draw 30mm when using syphons with pop-up.

WASHBASINS

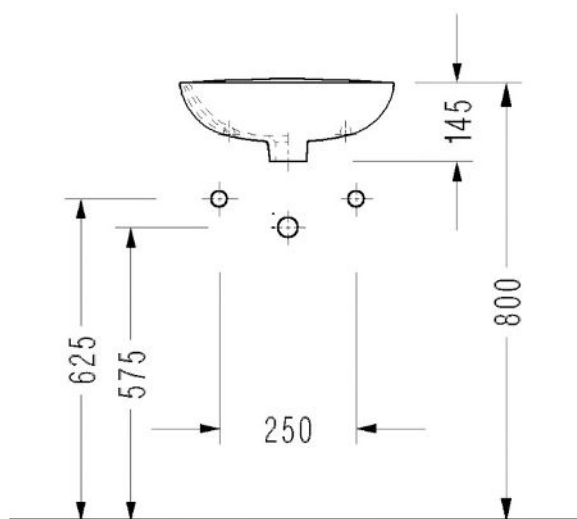
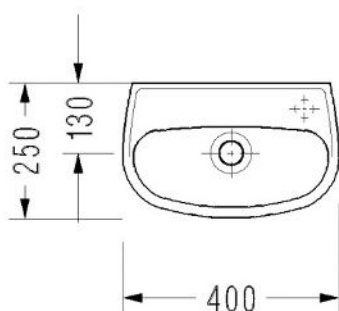
PRODUCT NAME
1301 / Washbasin

STANDARD
TS EN 14688

ASSEMBLY KIT

- 150400300177 / Washbasin Assembly Kit (according to order)
- 150400300011 / Overflow Ring

WEIGHT
5.580 kg.



PS
625 and 575 dimensions which at technical drawings are for using syphons w/o pop-up.
These dimensions should be draw 30mm when using syphons with pop-up.

WASHBASINS

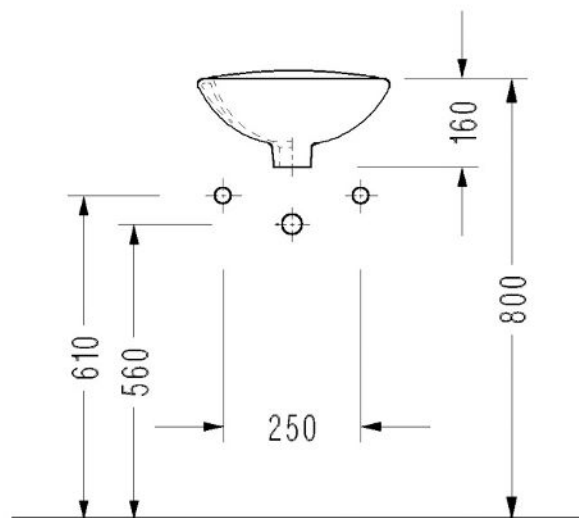
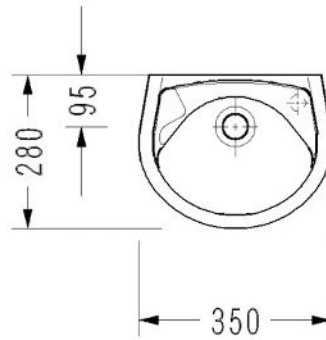
PRODUCT NAME
2641 / Washbasin

STANDARD
TS EN 14688

ASSEMBLY KIT

- 150400300177 / Washbasin Assembly Kit (according to order)
- 150400300011 / Overflow Ring

WEIGHT
5.200 kg.



PS

610 and 560 dimensions which at technical drawings are for using syphons w/o pop-up. These dimensions should be draw 30mm when using syphons with pop-up.

WASHBASINS



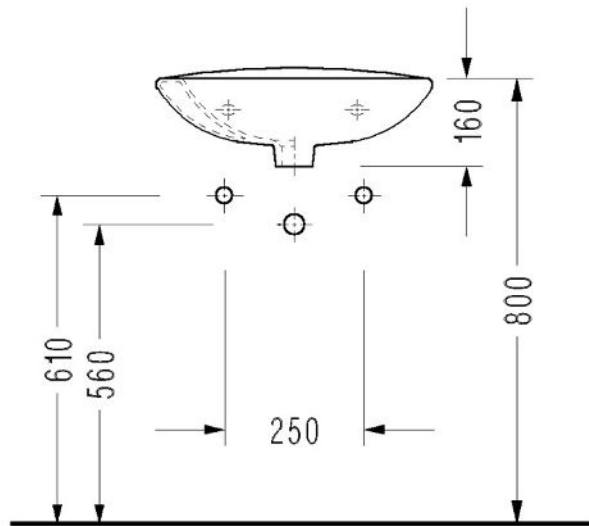
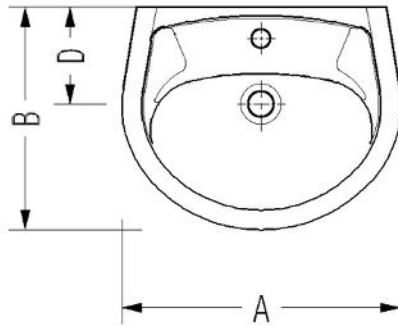
PRODUCT NAME
2741 / Washbasin

STANDARD
TS EN 14688

ASSEMBLY KIT

- 150400300177 / Washbasin Assembly Kit (according to order)
- 150400300011 / Overflow Ring

WEIGHT
8.040 kg.



	A	B	D
2741	450	350	165
2841	500	400	175

PS
610 and 560 dimensions which at technical drawings are for using syphons w/o pop-up. These dimensions should be draw 30mm when using syphons with pop-up.

WASHBASINS

PRODUCT NAME
2841 / Washbasin

STANDARD
TS EN 14688

ASSEMBLY KIT

- 150400300177 / Washbasin Assembly Kit (according to order)
- 150400300011 / Overflow Ring

SUITABLE PEDESTAL

- 2822 / Semi Pedestal

WEIGHT
9.360 kg.



PRODUCT NAME
2822 / Semi Pedestal

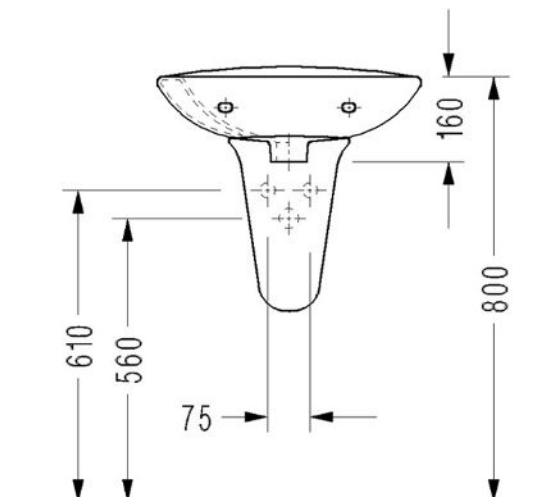
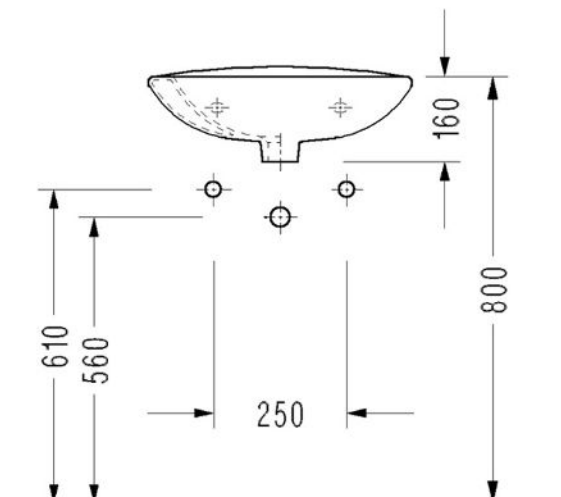
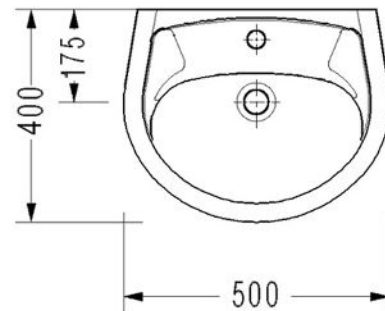
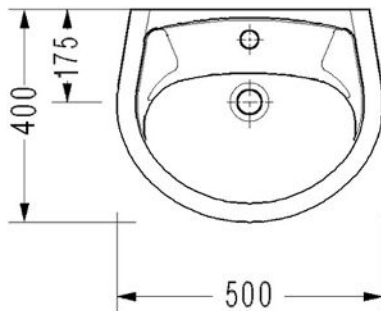
ASSEMBLY KIT

- 150400300082 / Spring Type Assembly Kit

SUITABLE WASHBASIN

- 2841 / Washbasin

WEIGHT
5.580 kg.



PS

610 and 560 dimensions which at technical drawings are for using syphons w/o pop-up. These dimensions should be draw 30mm when using syphons with pop-up.

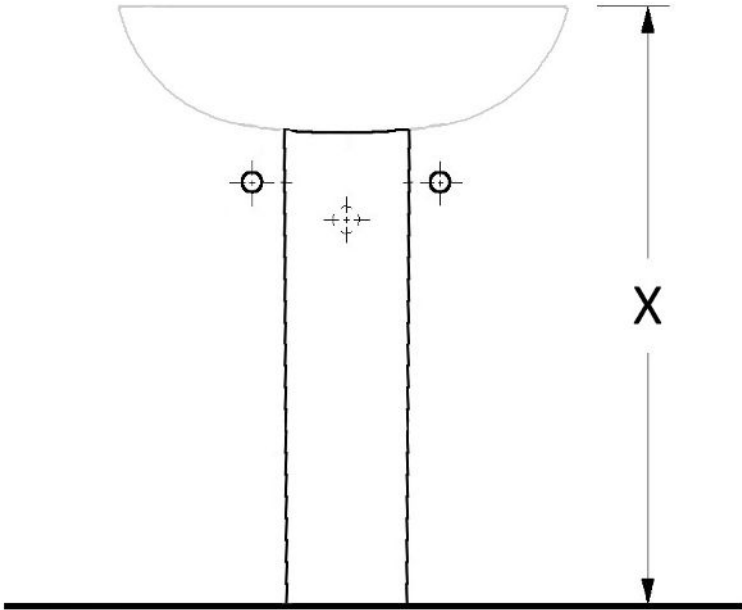


WASHBASINS (Common Full Pedestal)

PRODUCT NAME
F005 / Full Pedestal

- SUITABLE WASHBASIN
- 5301 / Washbasin
 - 6601 / Washbasin
 - 7601 / Washbasin
 - 6301 / Washbasin
 - 7901 / Washbasin

WEIGHT
9.250 kg.



	X
5301	820
6601	830
7601	825
6301	825
7901	825

WC PANS & BIDETS



PRODUCT NAME

0412 / Wall Hung WC Pan

STANDARD

TS 800 EN 997

ASSEMBLY KIT

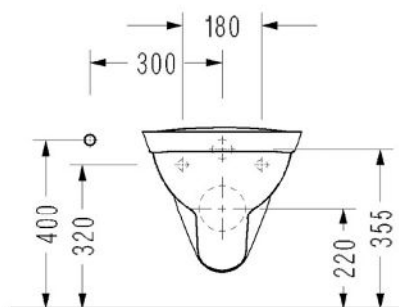
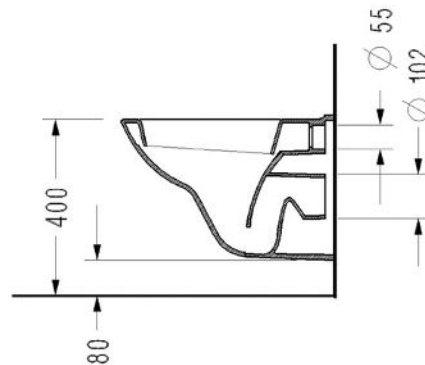
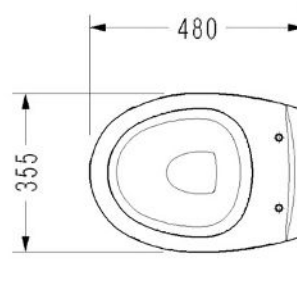
- 150400300203 / Flushing Water Division Adapter
- 150400300261 / WC Pan Common Lustration System (70mm.)
- 150400300207 / Side Cover Cap (optional)
- 150400300001 / Water Inlet Gasket
- 150400300210 / Built-in Lustration (nearest of the ceramic surface) (60mm.) (Special 90° built-in system)

SUITABLE SEAT COVER

- 2006100002 / GEDIZ Duroplast Seat Cover
- 2206100002 / GEDIZ Duroplast Seat Cover (anti-bacterial)
- 2026100002 / GEDIZ Duroplast Seat Cover (plastic hinge)
- 2226100002 / GEDIZ Duroplast Seat Cover (plastic hinge) (anti-bacterial)

WEIGHT

12.290 kg.



WC PANS & BIDETS

PRODUCT NAME

0422 / Wall Hung WC Pan

STANDARD

TS 800 EN 997

ASSEMBLY KIT

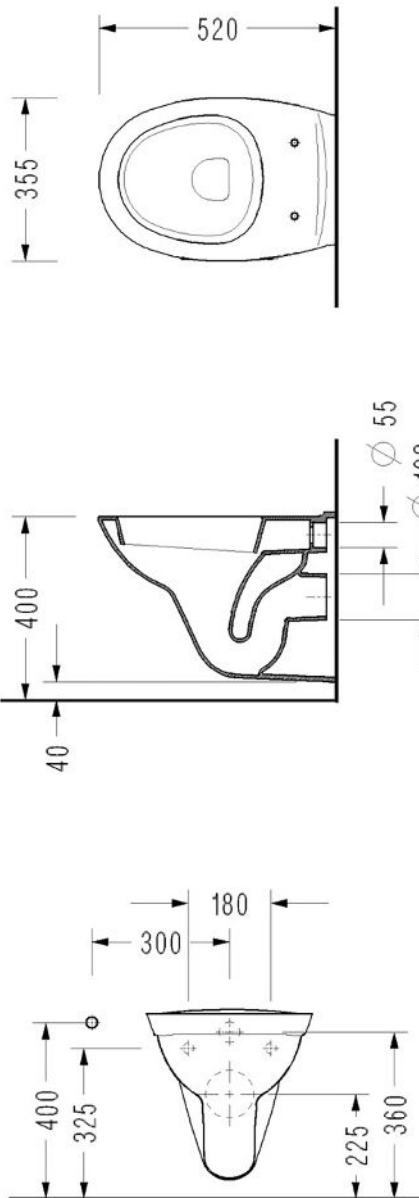
- 150400300180 / WC Pan Built-in Lustration System (110mm.)
- 150400300207 / Side Cover Cap (optional)

SUITABLE SEAT COVER

- 2006100002 / GEDIZ Duroplast Seat Cover
- 2206100002 / GEDIZ Duroplast Seat Cover (anti-bacterial)
- 2026100002 / GEDIZ Duroplast Seat Cover(plastic hinge)
- 2226100002 / GEDIZ Duroplast Seat Cover (plastic hinge) (anti-bacterial)

WEIGHT

13.230 kg.



WC PANS & BIDETS



PRODUCT NAME

0432 / Wall Hung WC Pan

STANDARD

TS 800 EN 997

ASSEMBLY KIT

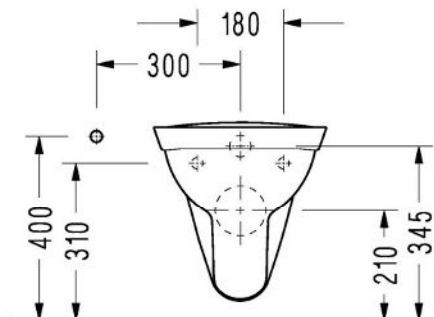
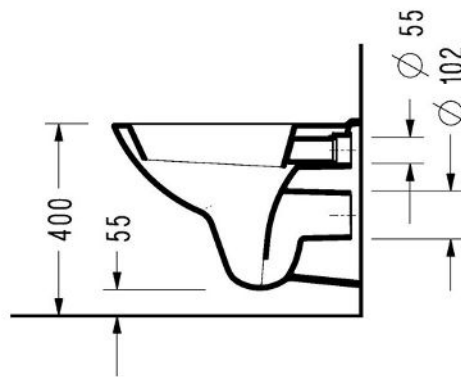
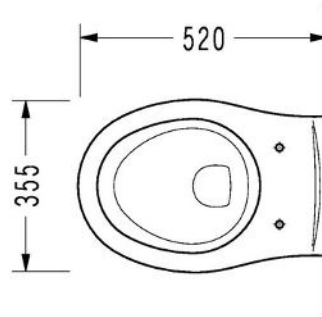
- 150400300173 / Wall Hung WC Pan Common Lustration System (90mm.)

SUITABLE SEAT COVER

- 2006100002 / GEDIZ Duroplast Seat Cover
- 2206100002 / GEDIZ Duroplast Seat Cover (anti-bacterial)
- 2026100002 / GEDIZ Duroplast Seat Cover (plastic hinge)
- 2226100002 / GEDIZ Duroplast Seat Cover (plastic hinge) (anti-bacterial)

WEIGHT

14.060 kg.



WC PANS & BIDETS

PRODUCT NAME

0602 / S-Trap Single WC Pan

STANDARD

TS 800 EN 997

ASSEMBLY KIT

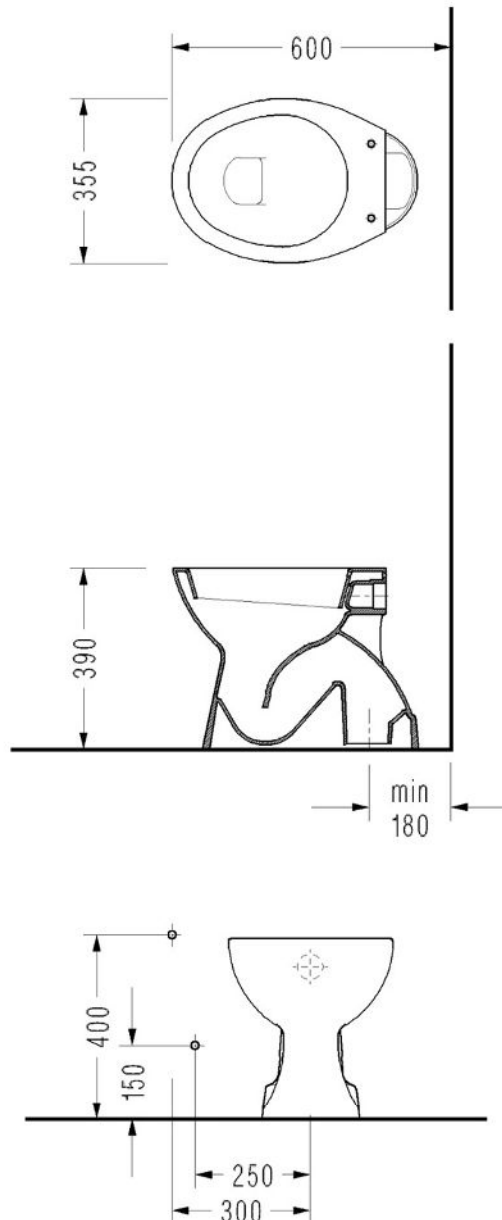
- 150400300017 / WC Pan, Bidet and Semi Pedestal Assembly Kit
- 150400300001 / Water Inlet Gasket
- 1504003000205 / Hidden Lustration System (130mm.)
- 150400300035 / Eccentric Trap Adapter

SUITABLE SEAT COVER

- 2006100002 / GEDIZ Duroplast Seat Cover
- 2206100002 / GEDIZ Duroplast Seat Cover (anti-bacterial)
- 2026100002 / GEDIZ Duroplast Seat Cover (plastic hinge)
- 2226100002 / GEDIZ Duroplast Seat Cover (plastic hinge) (anti-bacterial)

WEIGHT

16.250 kg.



WC PANS & BIDETS

PRODUCT NAME

0902 / P-Trap Single WC Pan

STANDARD

TS 800 EN 997

ASSEMBLY KIT

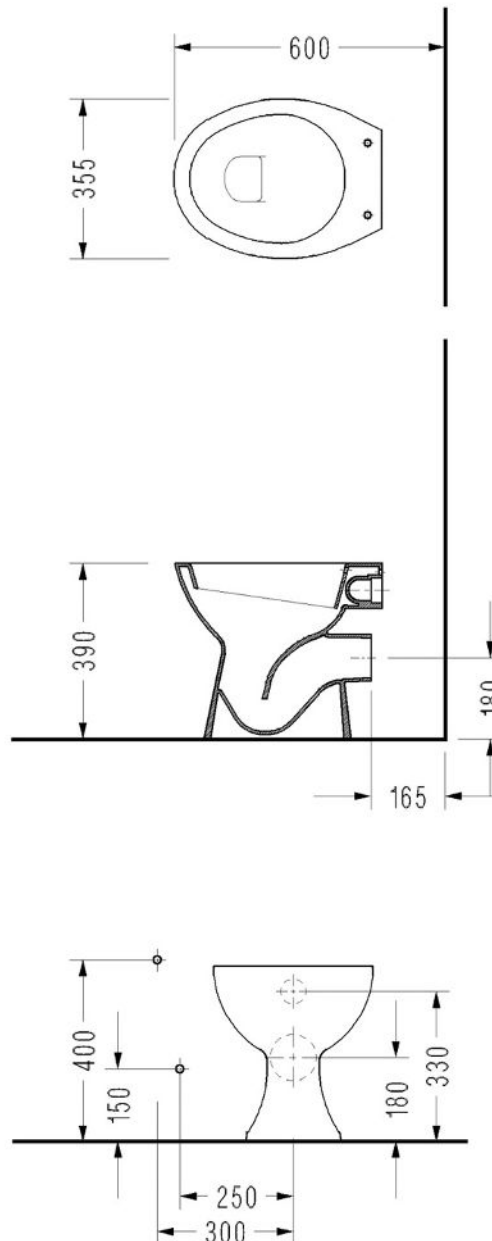
- 150400300017 / WC Pan, Bidet and Semi Pedestal Assembly Kit
- 150400300205 / Hidden Lustration System (130mm.)
- 150400300001 / Water Inlet Gasket

SUITABLE SEAT COVER

- 2006100002 / GEDIZ Duroplast Seat Cover
- 2206100002 / GEDIZ Duroplast Seat Cover (anti-bacterial)
- 2026100002 / GEDIZ Duroplast Seat Cover (plastic hinge)
- 2226100002 / GEDIZ Duroplast Seat Cover (plastic hinge) (anti-bacterial)

WEIGHT

14.330 kg.



WC PANS & BIDETS



PRODUCT NAME
SM10 / Wall Hung WC Pan

STANDARD
TS 800 EN 997

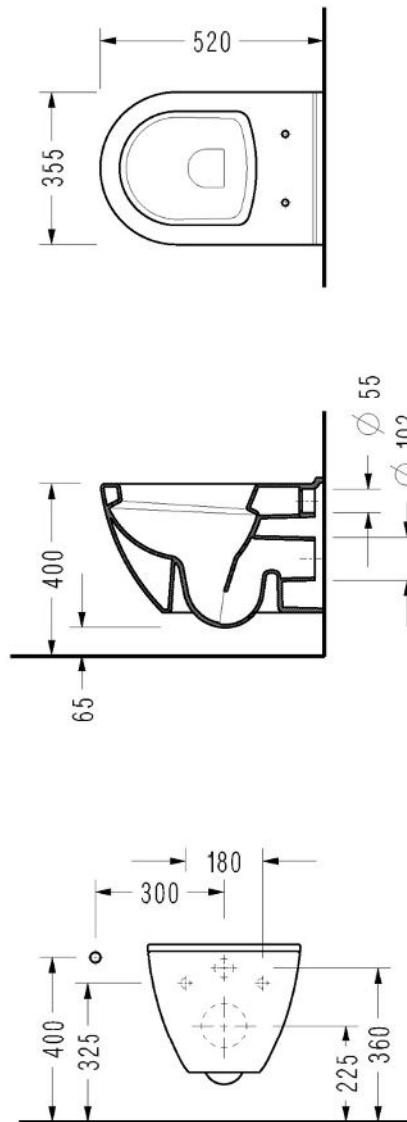
ASSEMBLY KIT

- 150400300110 / Wall Hung WC Pan Built-in Lustration System (110mm.)
- 150400300212 / Built-in Lustration System (nearest of the ceramic surface) (90mm.) (special 90° built-in system)

SUITABLE SEAT COVER

- 2036001002 / SPIL SilentClose Duroplast Seat Cover
- 2236001002 / SPIL SilentClose Duroplast Seat Cover (anti-bacterial)
- 2006001002 / SPIL Duroplast Seat Cover
- 2206001002 / SPIL Duroplast Seat Cover (anti-bacterial)

WEIGHT
23.660 kg.



WC PANS & BIDETS



PRODUCT NAME

SM12 / Wall Hung WC Pan

STANDARD

TS 800 EN 997

ASSEMBLY KIT

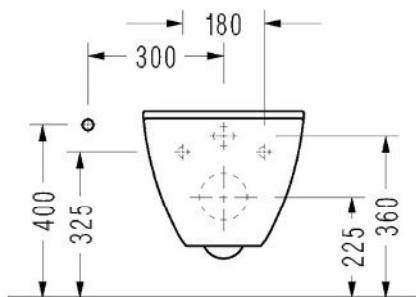
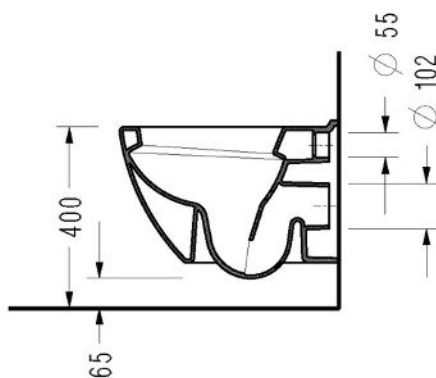
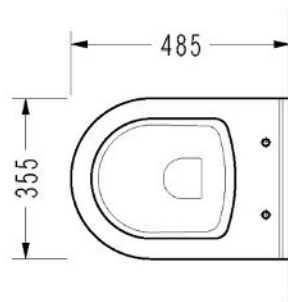
- 150400300195 / Wall Hung WC Pan Hidden Lustration System (90mm.)
- 150400300173 / Built-in Lustration System (90mm.)
- 150400300211 / Built-in Lustration (nearest of the ceramic surface) (80mm.) (special 90° built-in system)

SUITABLE SEAT COVER

- 2006001002 / SPIL Duroplast Seat Cover
- 2206001002 / SPIL Duroplast Seat Cover (anti-bacterial)

WEIGHT

21.870 kg.



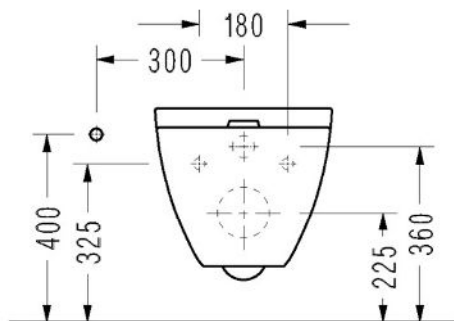
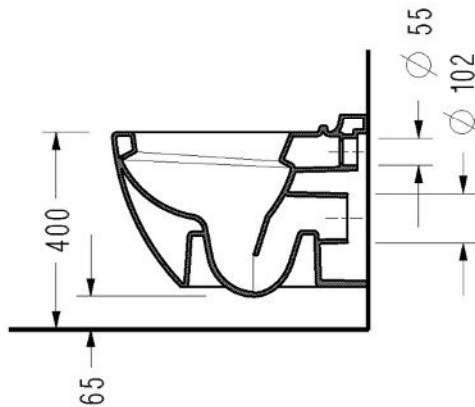
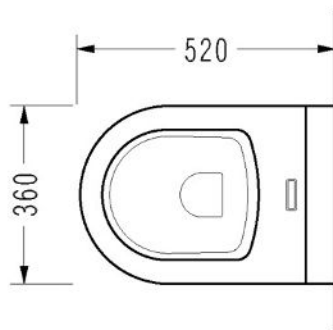
WC PANS & BIDETS

PRODUCT NAME
SM13 / Wall Hung WC Pan

STANDARD
TS 800 EN 997

SUITABLE SEAT COVER
• 2016001002 / SPIL Magnesia Seat Cover

WEIGHT
26.140 kg.



WC PANS & BIDETS



PRODUCT NAME

SM15 / Wall Hung WC Pan

STANDARD

TS 800 EN 997

ASSEMBLY KIT

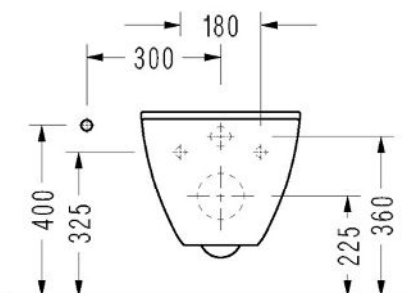
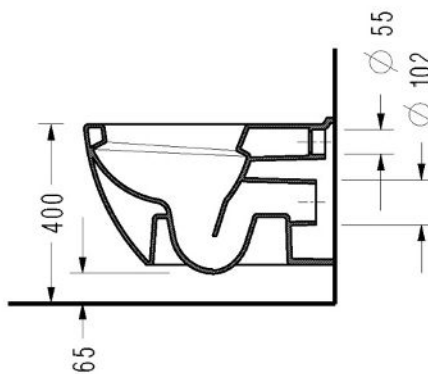
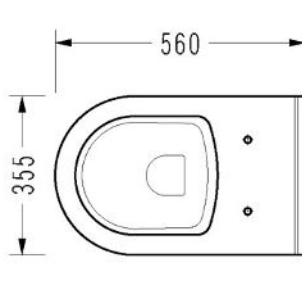
- 150400300187 / Wall Hung WC Pan Built-in Lustration System (120mm.)

SUITABLE SEAT COVER

- 2036001002 / SPIL SilentClose Duroplast Seat Cover
- 2236001002 / SPIL SilentClose Duroplast Seat Cover (anti-bacterial)
- 2006001002 / SPIL Duroplast Seat Cover
- 2206001002 / SPIL Duroplast Seat Cover (anti-bacterial)

WEIGHT

21.100 kg.



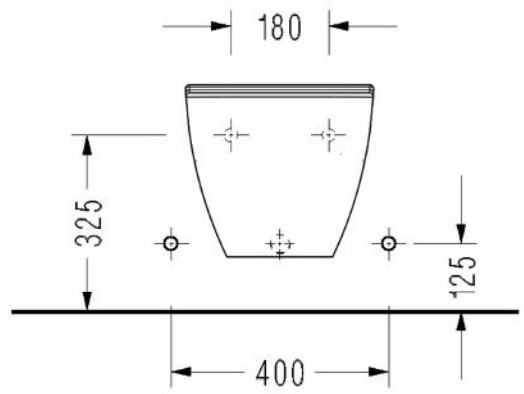
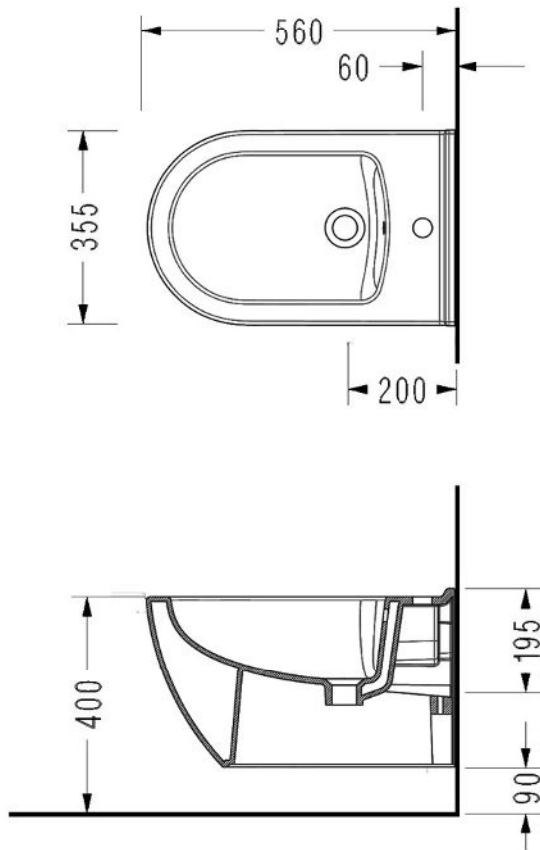
WC PANS & BIDETS

PRODUCT NAME
SM19 / Wall Hung Bidet

STANDARD
TS 2747

ASSEMBLY KIT
• 150400300017 / WC Pan, Bidet and Semi Pedestal Assembly Kit

WEIGHT
22.730 kg.



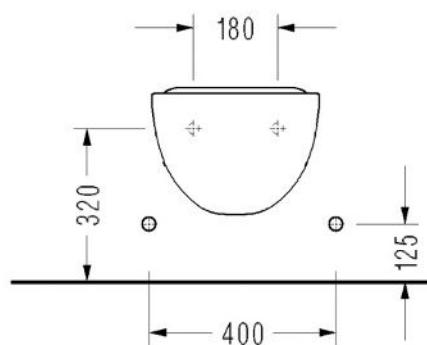
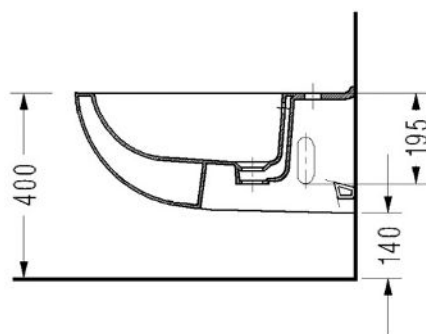
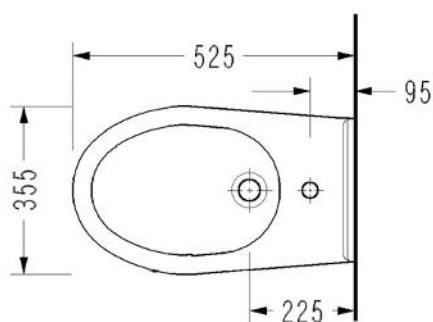
WC PANS & BIDETS

PRODUCT NAME
0403 / Wall Hung Bidet

STANDARD
TS EN 14528

ASSEMBLY KIT
• 150400300011 / Overflow Ring

WEIGHT
16.510 kg.



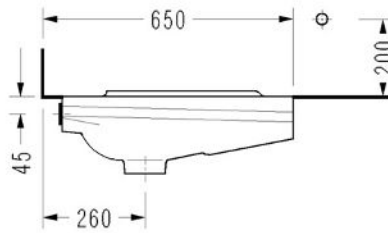
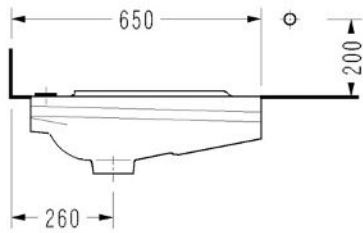
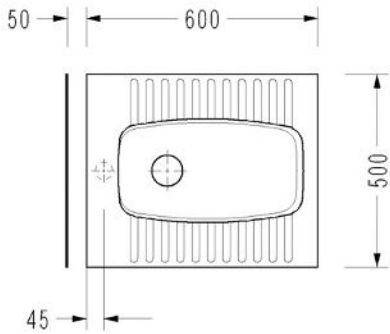
SQUATTING PANS

PRODUCT NAME
0417 / Squatting Pan

STANDARD
TS 799

ASSEMBLY KIT
• 150400300001 / Water Inlet Gasket

WEIGHT
21.000 kg.

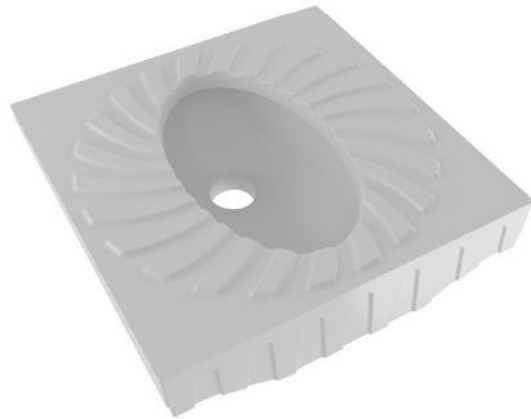
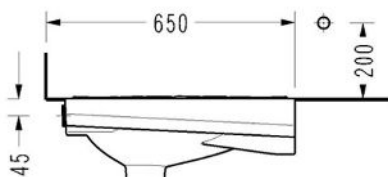
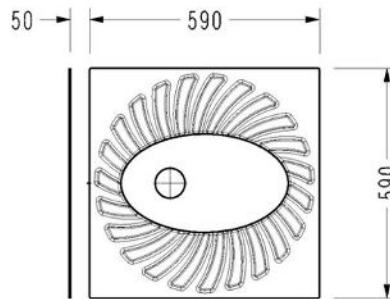


PRODUCT NAME
0517 / Squatting Pan

STANDARD
TS 799

ASSEMBLY KIT
• 150400300001 / Water Inlet Gasket

WEIGHT
20.580 kg.



URINALS&SEPARATORS



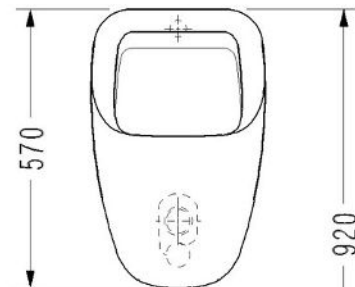
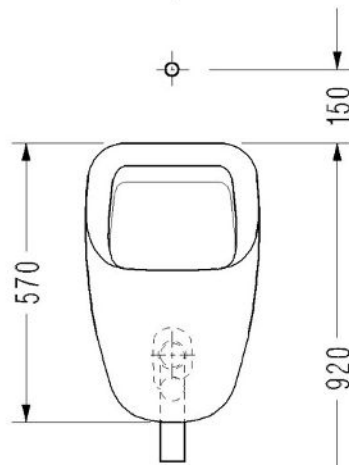
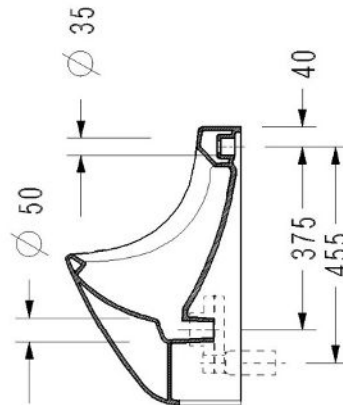
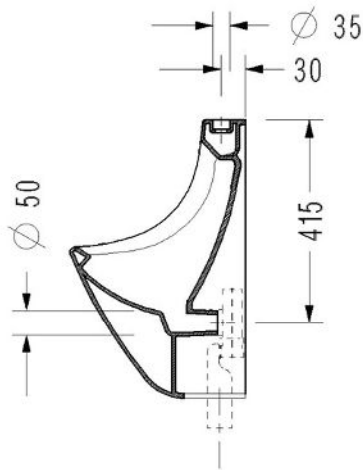
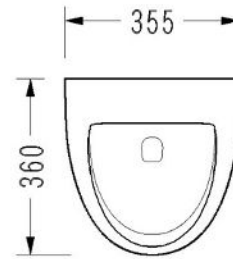
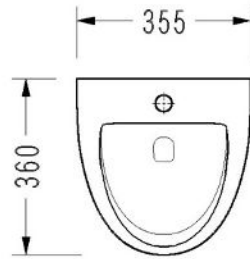
PRODUCT NAME
0129 / Urinal

STANDARD
TS 2747

ASSEMBLY KIT

- 150400300102 / Assembly Set with Adjustable Strip
- 150400300079 / Horizontal Urinal Syphon (optional)
- 150400300080 / Vertical Urinal Syphon (optional)

WEIGHT
16.000 kg.



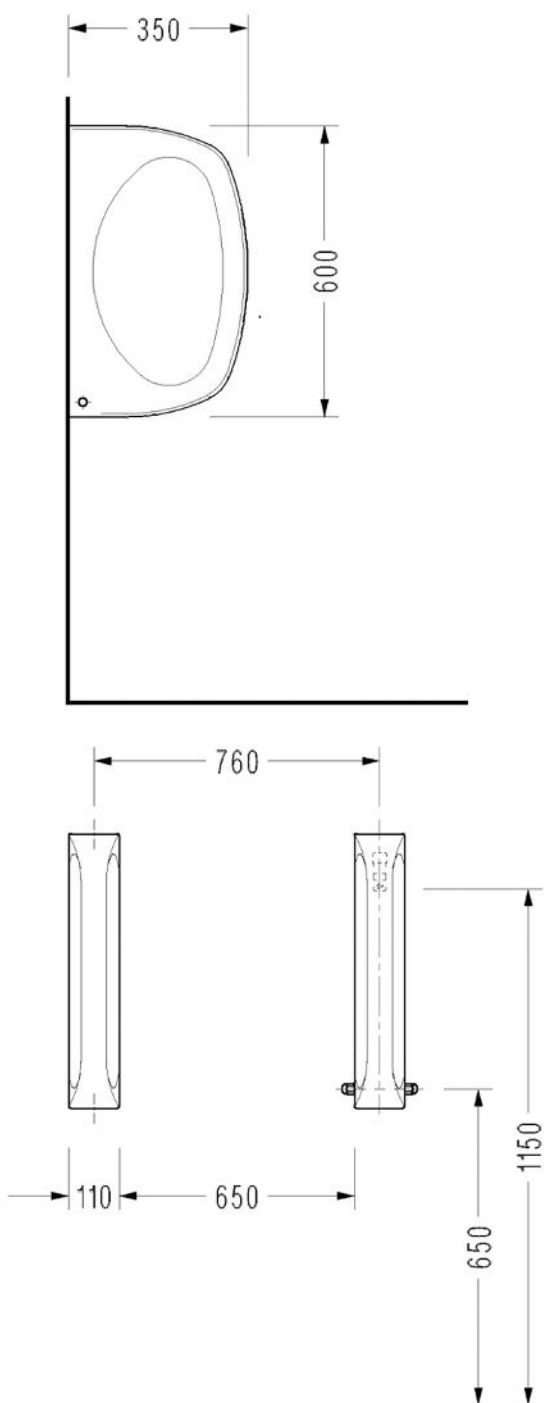
URINALS&SEPARATORS

PRODUCT NAME
0120 / Urinal Wall Separator

STANDARD
TS 2747

ASSEMBLY KIT
• 150400300023 / Wall Separator Assembly Kit

WEIGHT
10.070 kg.



URINALS&SEPARATORS

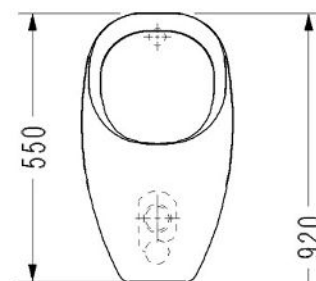
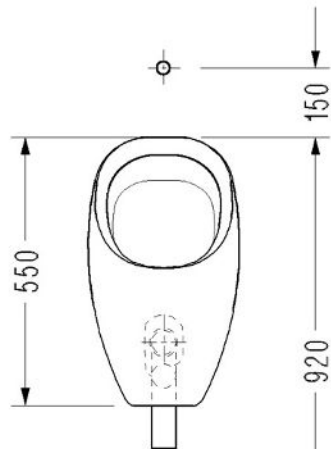
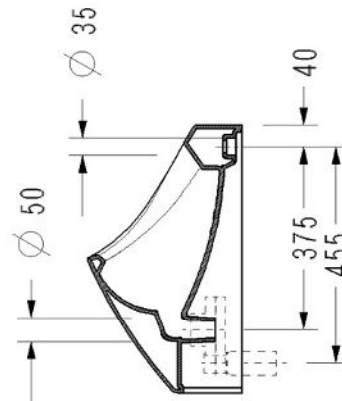
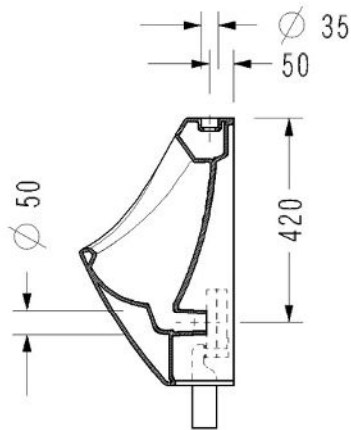
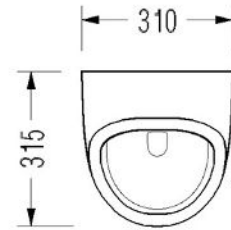
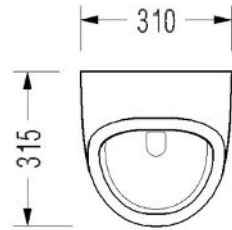


PRODUCT NAME
0139 / Urinal

STANDARD
TS 2747

- ASSEMBLY KIT
- 150400300102 / Assembly Set with Adjustable Strip
 - 150400300079 / Horizontal Urinal Syphon (optional)
 - 150400300080 / Vertical Urinal Syphon (optional)

WEIGHT
14.650 kg.



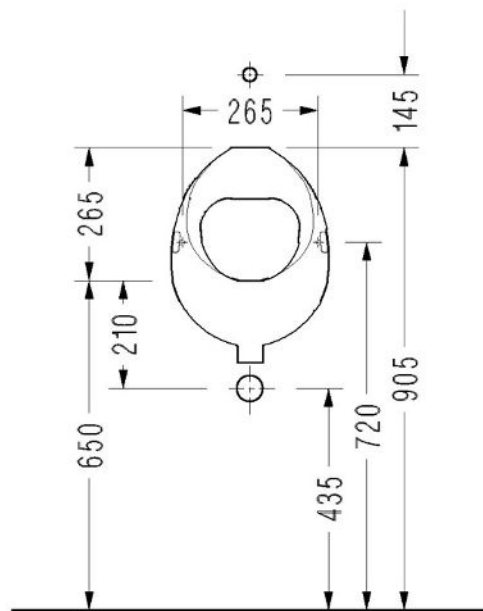
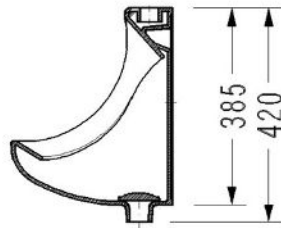
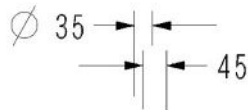
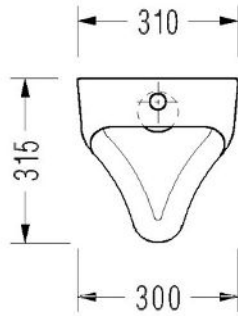
URINALS&SEPARATORS

PRODUCT NAME
0149 / Urinal

STANDARD
TS 2747

ASSEMBLY KIT
• 150400300017 / WC Pan, Bidet and Semi Pedestal Assembly Kit

WEIGHT
8.920 kg.



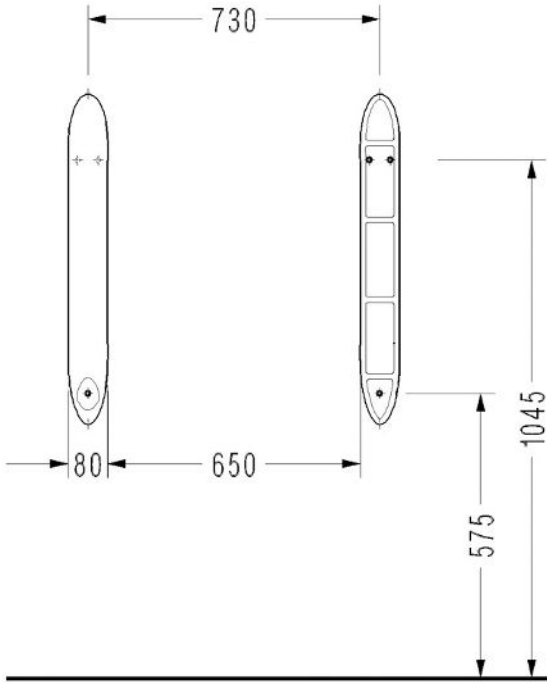
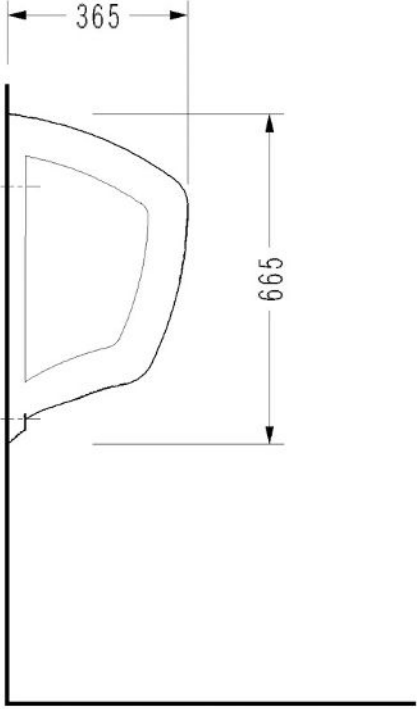
URINALS&SEPARATORS

PRODUCT NAME
0140 / Urinal Wall Separator

STANDARD
TS 2747

ASSEMBLY KIT
• 150400300006 / WC Pan Anchorage Hinge (3 Pcs)

WEIGHT
7.870 kg.



URINALS&SEPARATORS

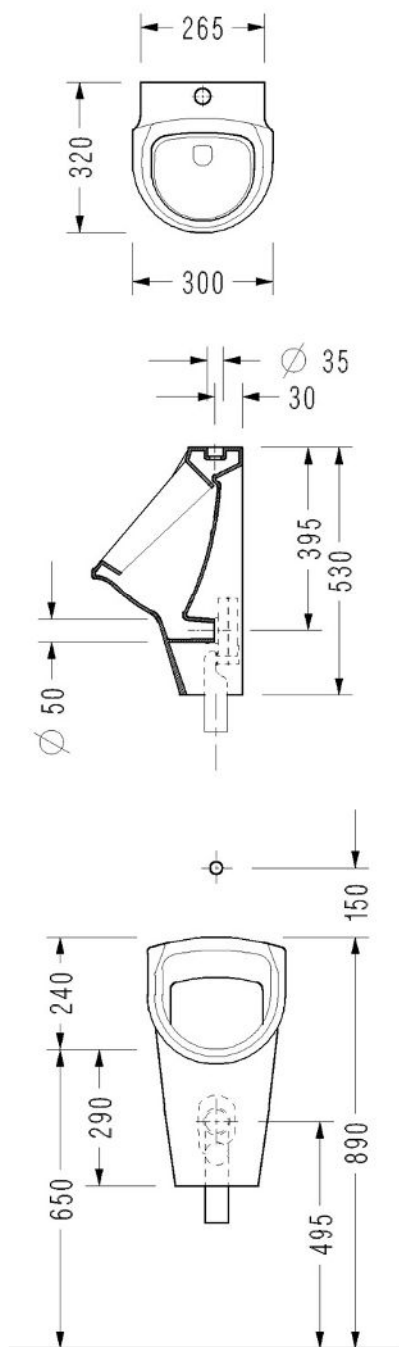
PRODUCT NAME
6808 / Urinal

STANDARD
TS 2747

ASSEMBLY KIT

- 150400300217 / Assembly Set With Adjustable Strip
- 150400300079 / Horizontal Urinal Syphon (optional)
- 150400300080 / Vertical Urinal Syphon (optional)

WEIGHT
10.200 kg.



URINALS&SEPARATORS

PRODUCT NAME
6809 / Urinal

STANDARD
TS 2747

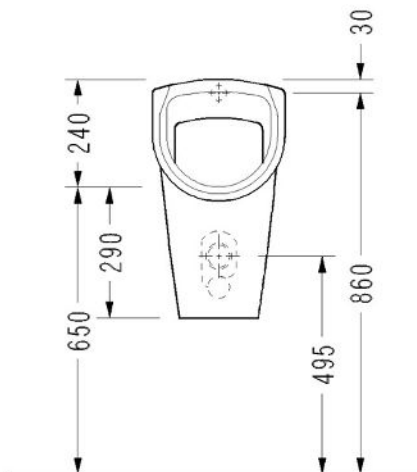
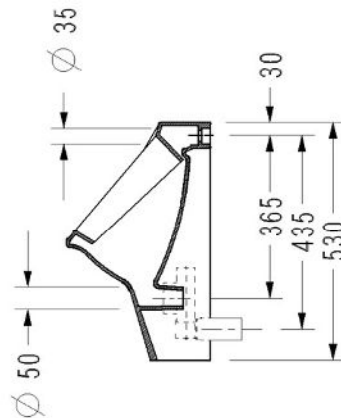
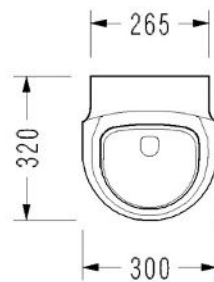
ASSEMBLY KIT

- 150400300217 / Assembly Set with Adjustable Strip
- 150400300079 / Horizontal Urinal Syphon (optional)
- 150400300080 / Vertical Urinal Syphon (optional)

SUITABLE COVER

- 2006300002 / Duroplast Urinal Cover
- 2206300002 / Duroplast Urinal Cover (anti-bacterial)

WEIGHT
10.040 kg.



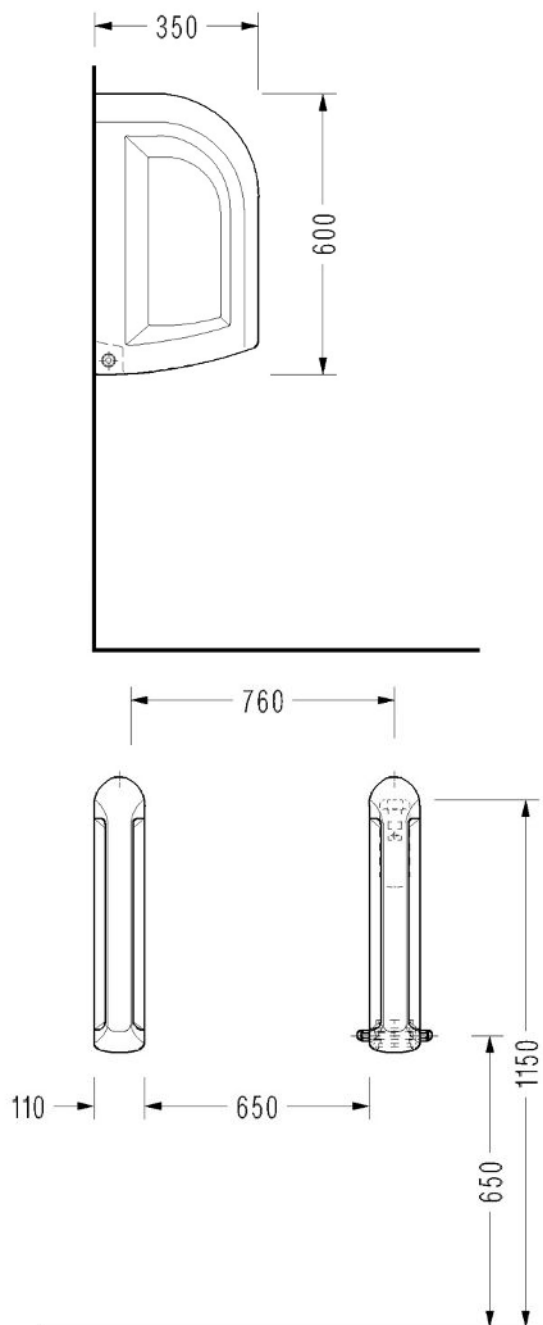
URINALS&SEPARATORS

PRODUCT NAME
6807 / Urinal Wall Separator

STANDARD
TS 2747

ASSEMBLY KIT
• 150400300023 / Urinal Wall Separator Assembly Kit

WEIGHT
8.860 kg.



URINALS&SEPARATORS

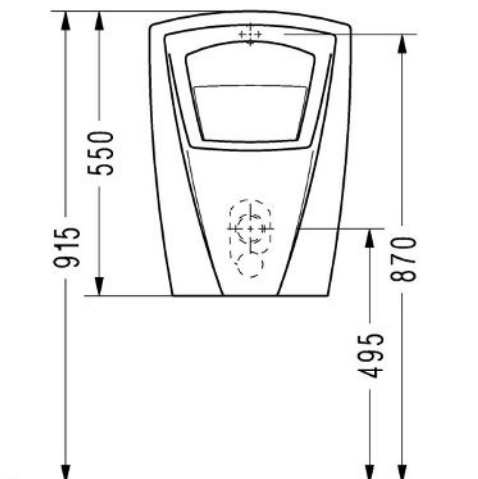
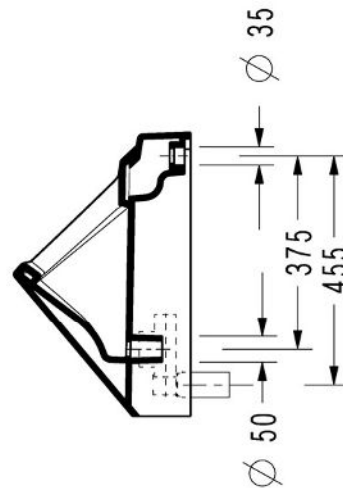
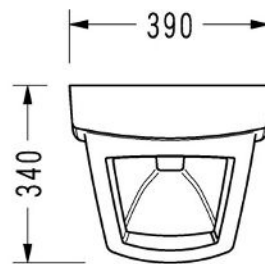


PRODUCT NAME
DG09 / Urinal

STANDARD
TS 2747

- ASSEMBLY KIT
- 150400300217 / Assembly Set With Adjustable Strip
 - 150400300079 / Horizontal Urinal Syphon (according to order)
 - 150400300080 / Vertical Urinal Syphon (according to order)

WEIGHT
17.130 kg.



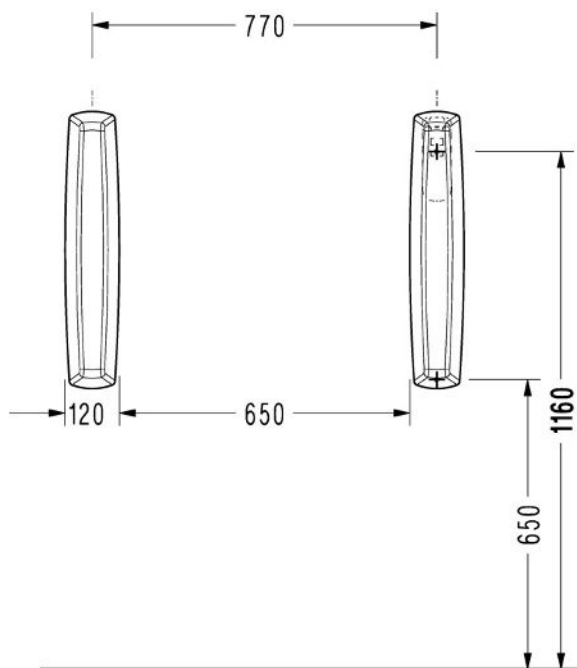
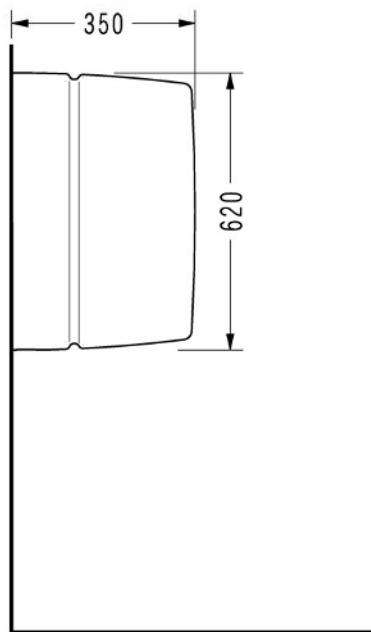
URINALS&SEPARATORS

PRODUCT NAME
DG20 / Urinal Wall Separator

STANDARD
TS 2747

ASSEMBLY KIT
• 150400300303 / New Urinal Wall Separator Assembly Kit

WEIGHT
12.040 kg.



SHOWER TRAYS

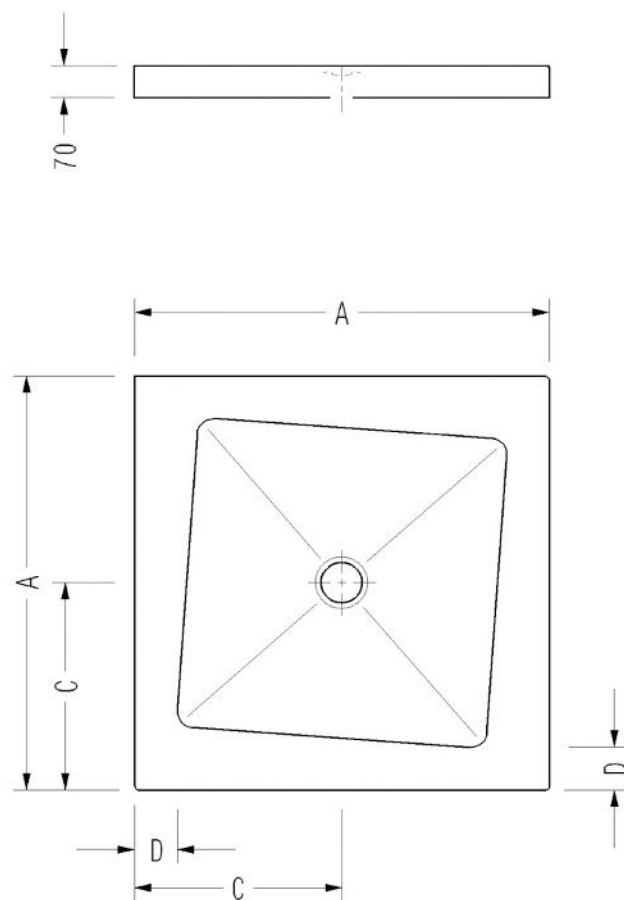


PRODUCT NAME
4024 / Shower Tray

ASSEMBLY KIT
 • 150400300304 / Wooden Plate (optional)
 • 150400300243 / Cylindrical Shower Syphon (90mm.) + Ceramic Plug (optional)

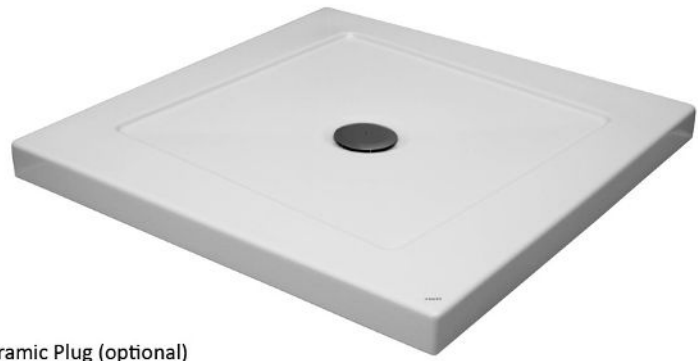
STANDARD
TS EN 14527

WEIGHT
31.290 kg.



	A	C	D
4024	800	400	80
4324	900	450	90

SHOWER TRAYS

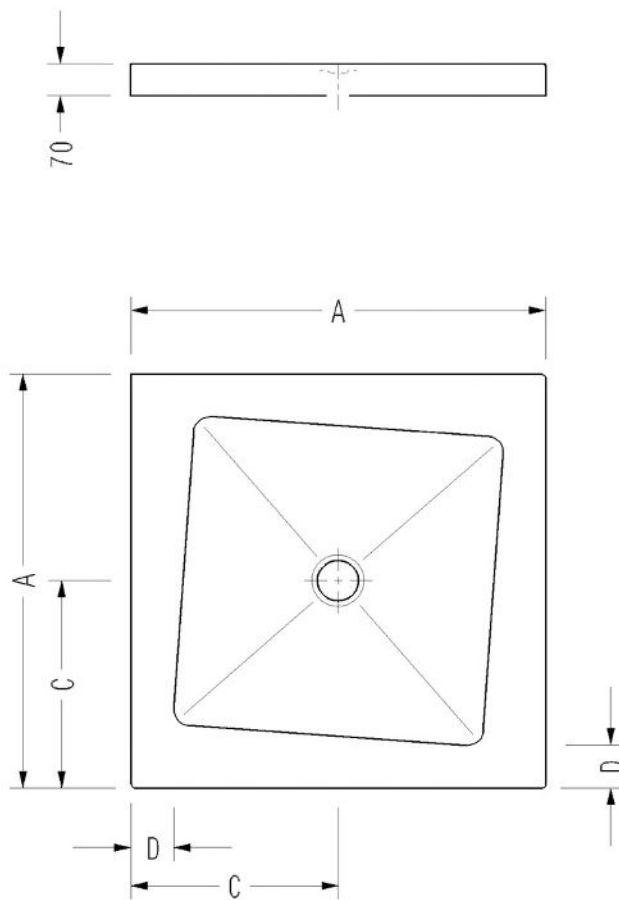


PRODUCT NAME
4324 / Shower Tray

ASSEMBLY KIT
 • 150400300304 / Wooden Plate (optional)
 • 150400300243 / Cylindrical Shower Syphon (90mm.) + Ceramic Plug (optional)

STANDARD
TS EN 14527

WEIGHT
43.000 kg.



	A	C	D
4024	800	400	80
4324	900	450	90

SHOWER TRAYS

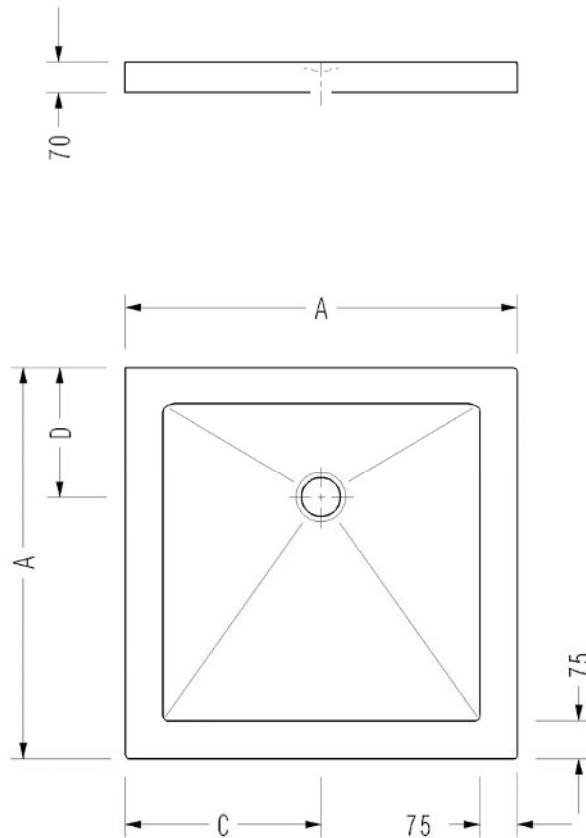


PRODUCT NAME
4014 / Shower Tray

STANDARD
TS EN 14527

ASSEMBLY KIT
• 150400300243 / Cylindrical Shower Syphon (90mm) + Ceramic Plug (optional)

WEIGHT
30.400 kg.



	A	C	D
4014	800	400	300
4314	900	450	300
4614	1000	500	300

SHOWER TRAYS

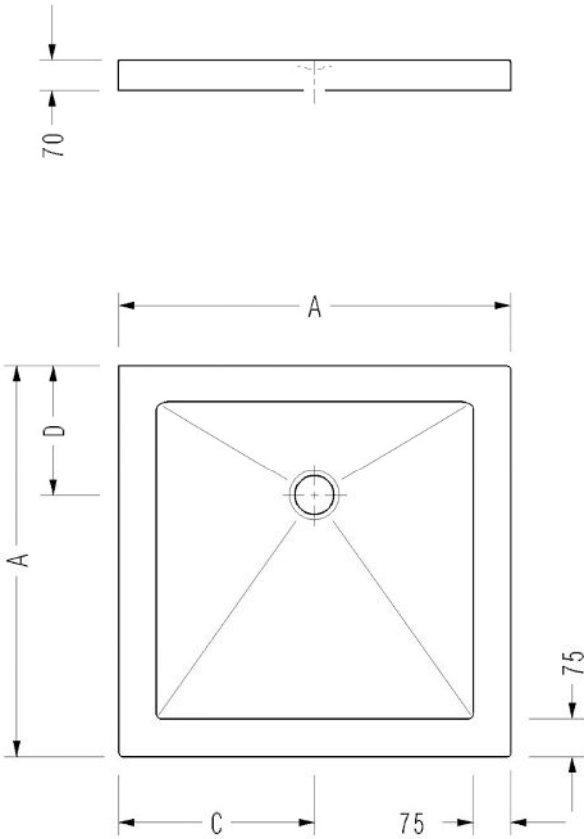


PRODUCT NAME
4314 / Shower Tray

STANDARD
TS EN 14527

ASSEMBLY KIT
• 150400300243 / Cylindrical Shower Syphon (90mm) + Ceramic Plug (optional)

WEIGHT
42.600 kg.



	A	C	D
4014	800	400	300
4314	900	450	300
4614	1000	500	300

SHOWER TRAYS

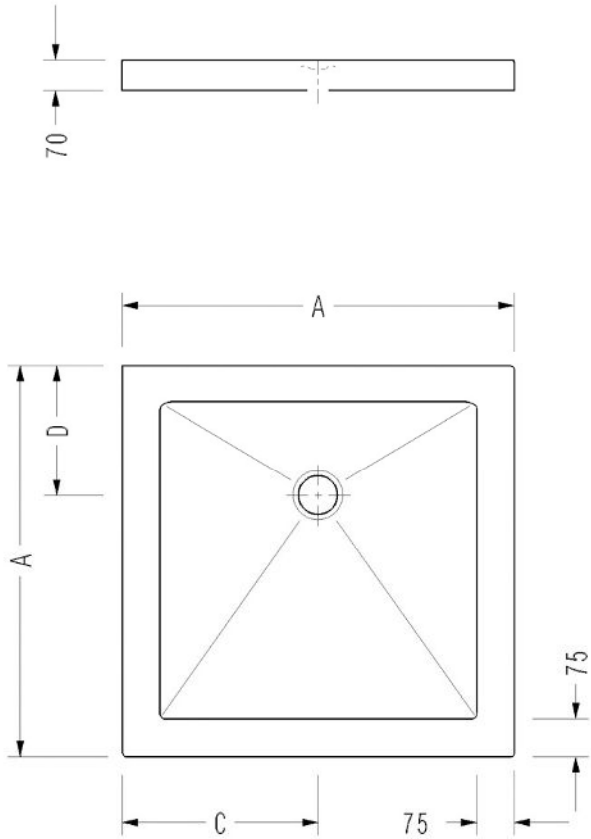


PRODUCT NAME
4614 / Shower Tray

STANDARD
TS EN 14527

ASSEMBLY KIT
• 150400300243 / Cylindrical Shower Syphon (90mm.) + Ceramic Plug (optional)

WEIGHT
45.500 kg.



	A	C	D
4014	800	400	300
4314	900	450	300
4614	1000	500	300

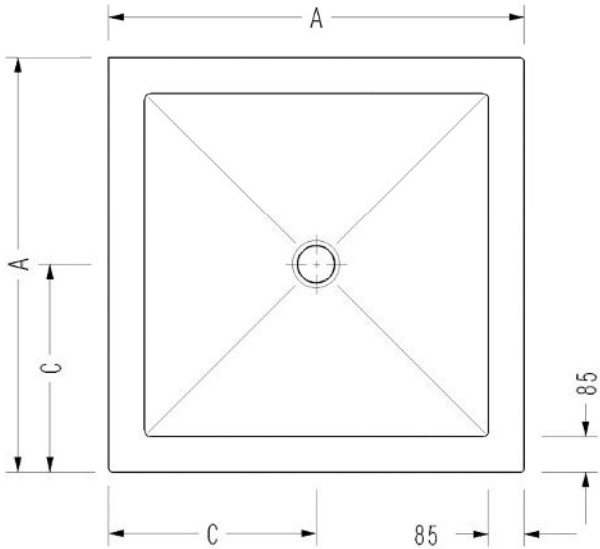
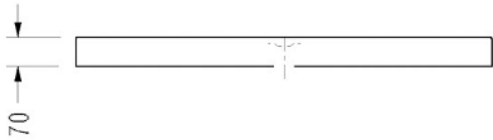
SHOWER TRAYS

PRODUCT NAME
4004 / Shower Tray

STANDARD
TS EN 14527

ASSEMBLY KIT
• 150400300243 / Cylindrical Shower Syphon (90mm) + Ceramic Plug (optional)

WEIGHT
31.500 kg.



	A	C	D	H
4004	800	400	85	70
4304	900	450	85	70
4604	1000	500	85	70

SHOWER TRAYS

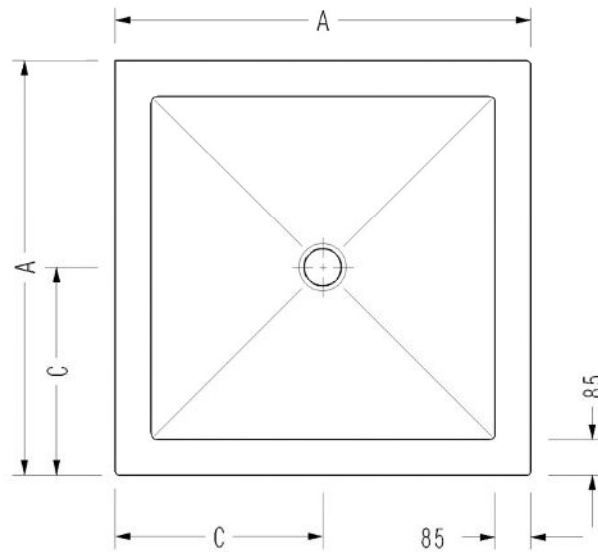
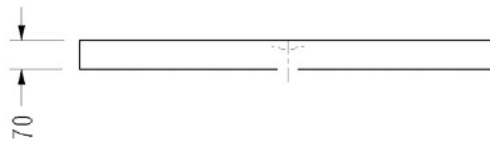


PRODUCT NAME
4304 / Shower Tray

STANDARD
TS EN 14527

ASSEMBLY KIT
• 150400300243 / Cylindrical Shower Syphon (90mm) + Ceramic Plug (optional)

WEIGHT
41.180 kg.



	A	C	D	H
4004	800	400	85	70
4304	900	450	85	70
4604	1000	500	85	70

SHOWER TRAYS

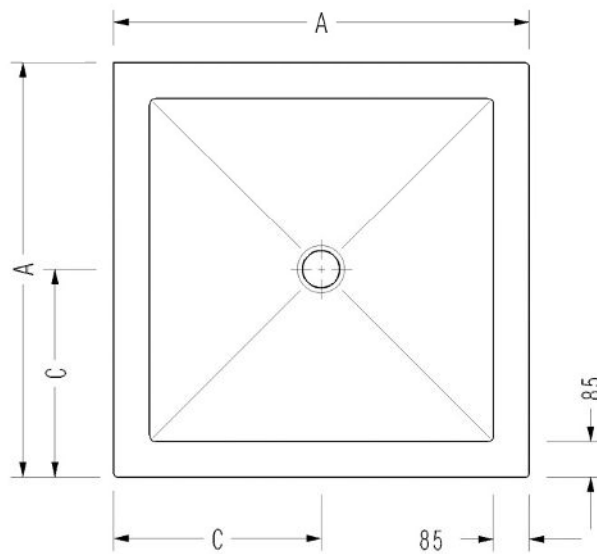
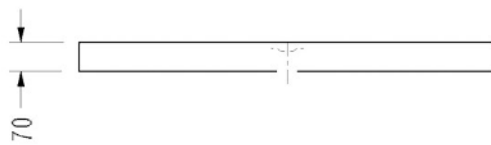


PRODUCT NAME
4604 / Shower Tray

STANDARD
TS EN 14527

ASSEMBLY KIT
• 150400300243 / Cylindrical Shower Syphon (90mm.) + Ceramic Plug (optional)

WEIGHT
45.920 kg.



	A	C	D	H
4004	800	400	85	70
4304	900	450	85	70
4604	1000	500	85	70

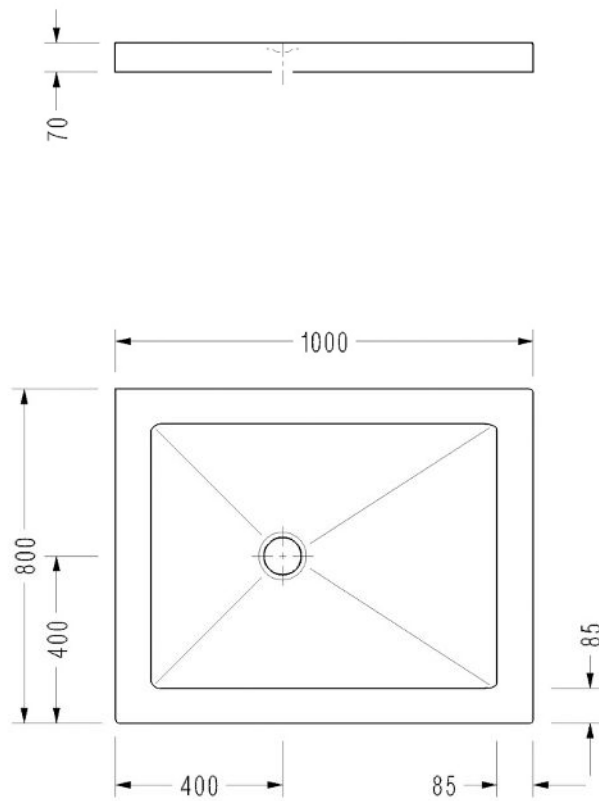
SHOWER TRAYS

PRODUCT NAME
4514 / Shower Tray

STANDARD
TS EN 14527

ASSEMBLY KIT
• 150400300243 / Cylindrical Shower Syphon (90mm) + Ceramic Plug (optional)

WEIGHT
39.100 kg.



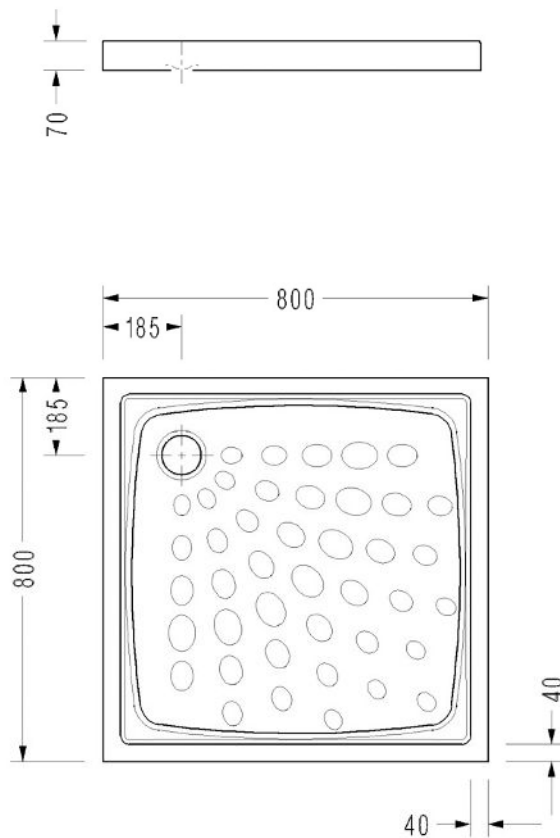
SHOWER TRAYS

PRODUCT NAME
4428 / Shower Tray

STANDARD
TS EN 14527

ASSEMBLY KIT
• 150400300243 / Cylindrical Shower Syphon (90mm) + Ceramic Plug (optional)

WEIGHT
36.740 kg.



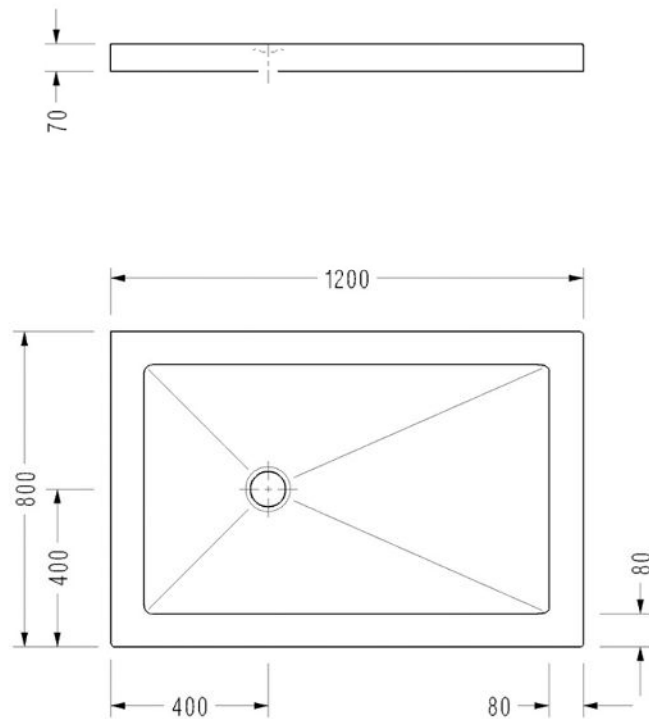
SHOWER TRAYS

PRODUCT NAME
4504 / Shower Tray

STANDARD
TS EN 14527

ASSEMBLY KIT
• 150400300243 / Cylindrical Shower Syphon (90mm) + Ceramic Plug (optional)

WEIGHT
44.150 kg.



SHOWER TRAYS

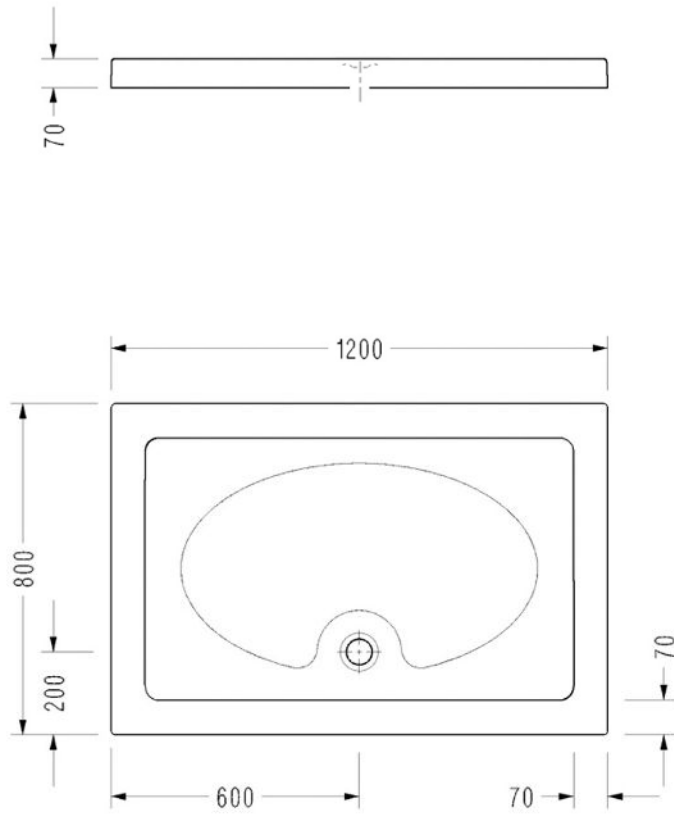


PRODUCT NAME
4524 / Shower Tray

STANDARD
TS EN 14527

ASSEMBLY KIT
• 150400300243 / Cylindrical Shower Syphon (90mm) + Ceramic Plug (optional)

WEIGHT
46.400 kg.



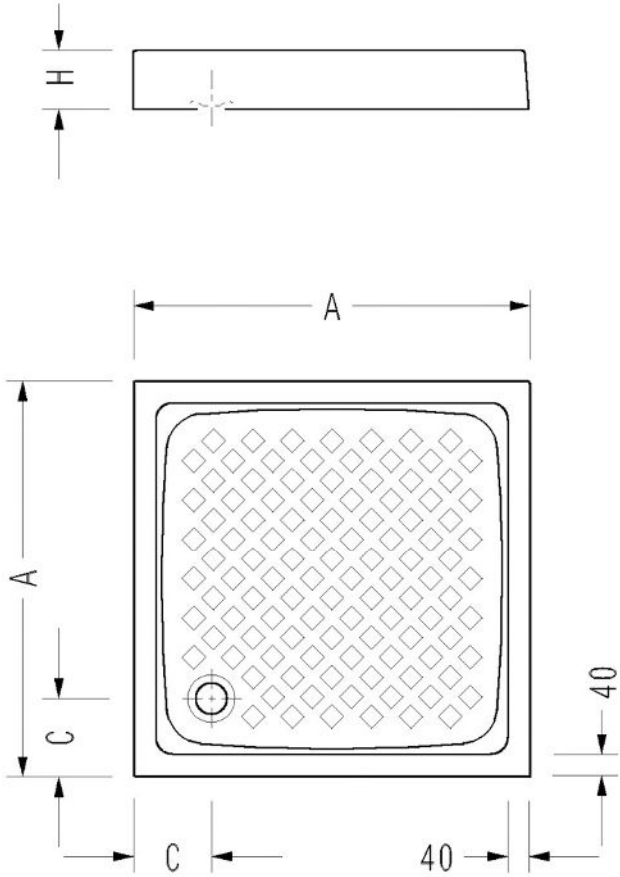
SHOWER TRAYS



PRODUCT NAME
4108 / Shower Tray

STANDARD
TS EN 14527

WEIGHT
26.370 kg.



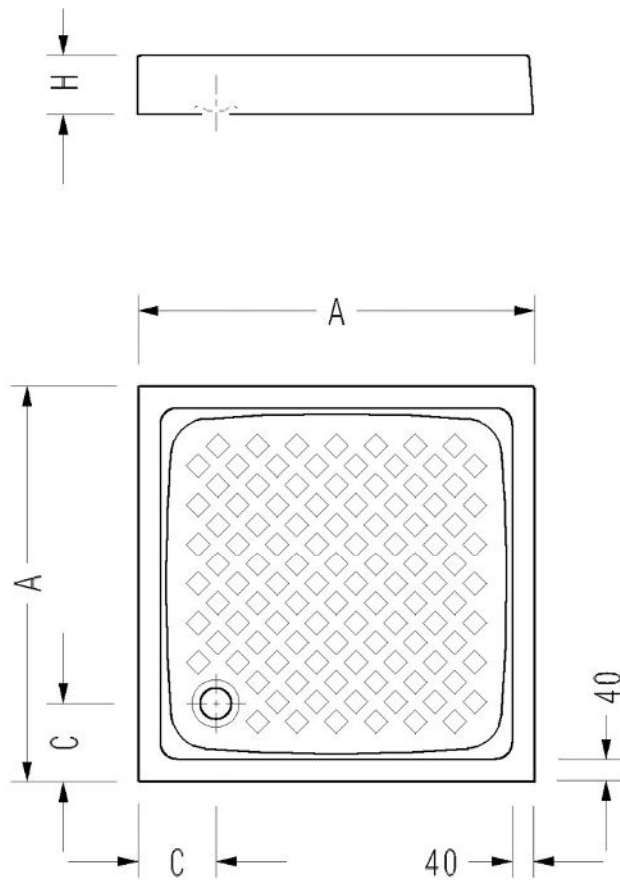
	A	C	H
4108	700	140	105
4008	800	140	105

SHOWER TRAYS

PRODUCT NAME
4008 / Shower Tray

STANDARD
TS EN 14527

WEIGHT
33.180 kg.



	A	C	H
4108	700	140	105
4008	800	140	105

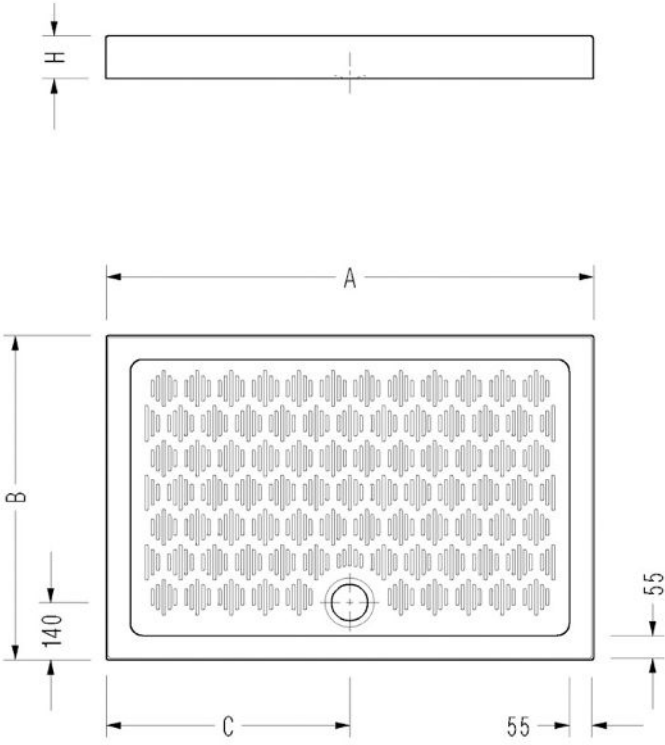
SHOWER TRAYS



PRODUCT NAME
4538 / Shower Tray

STANDARD
TS EN 14527

WEIGHT
41.100 kg.



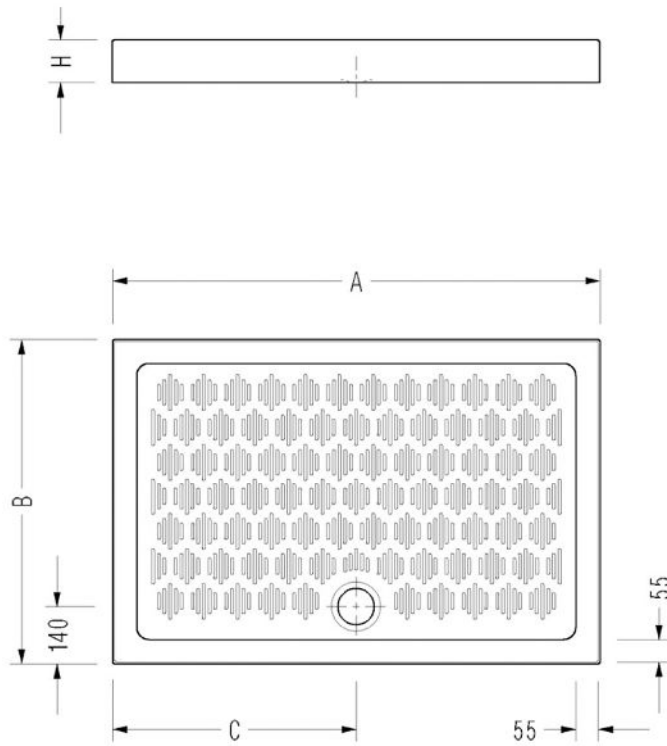
	A	B	C	H
4538	900	720	450	105
4518	1000	800	500	105
4508	1200	800	600	105

SHOWER TRAYS

PRODUCT NAME
4518 / Shower Tray

STANDARD
TS EN 14527

WEIGHT
44.100 kg.



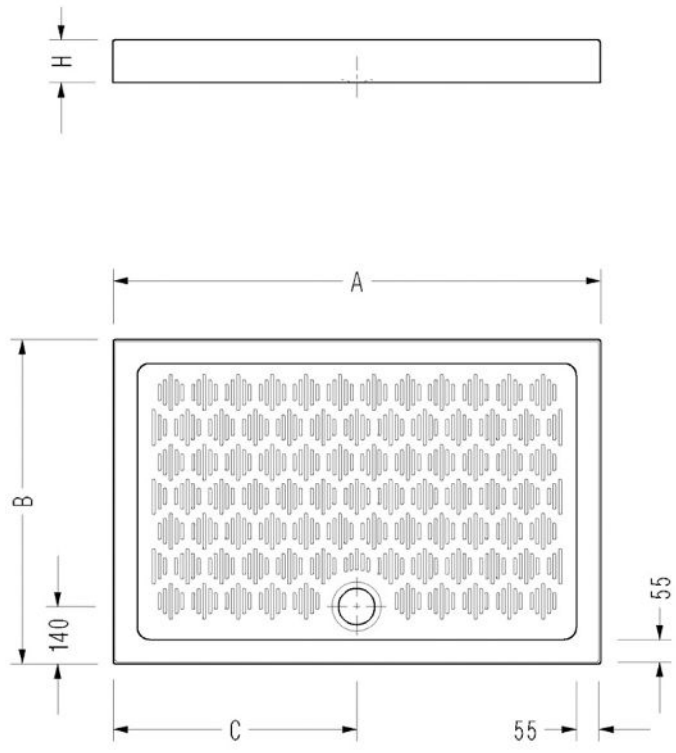
	A	B	C	H
4538	900	720	450	105
4518	1000	800	500	105
4508	1200	800	600	105

SHOWER TRAYS

PRODUCT NAME
4508 / Shower Tray

STANDARD
TS EN 14527

WEIGHT
48.210 kg.



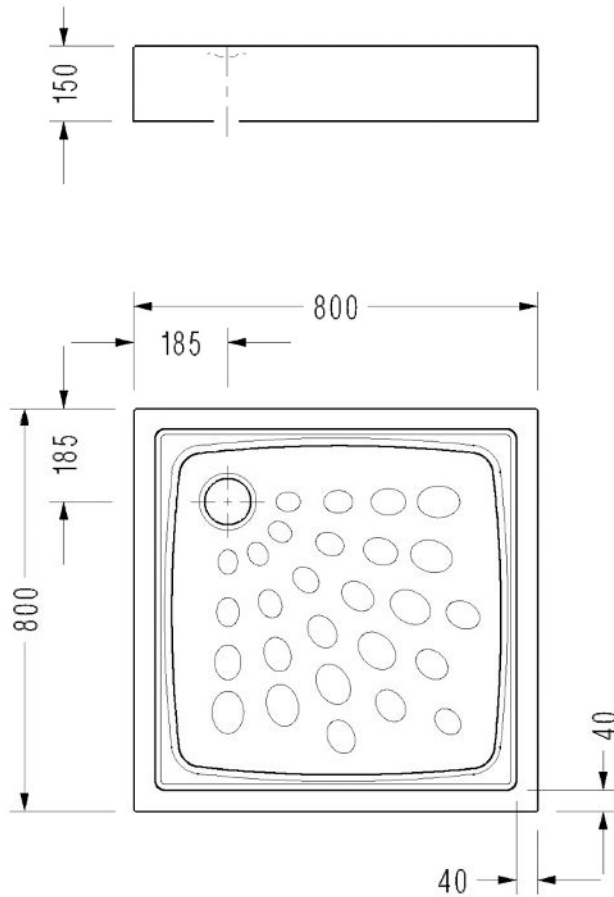
	A	B	C	H
4538	900	720	450	105
4518	1000	800	500	105
4508	1200	800	600	105

SHOWER TRAYS

PRODUCT NAME
4018 / Shower Tray

STANDARD
TS EN 14527

WEIGHT
42.060 kg.

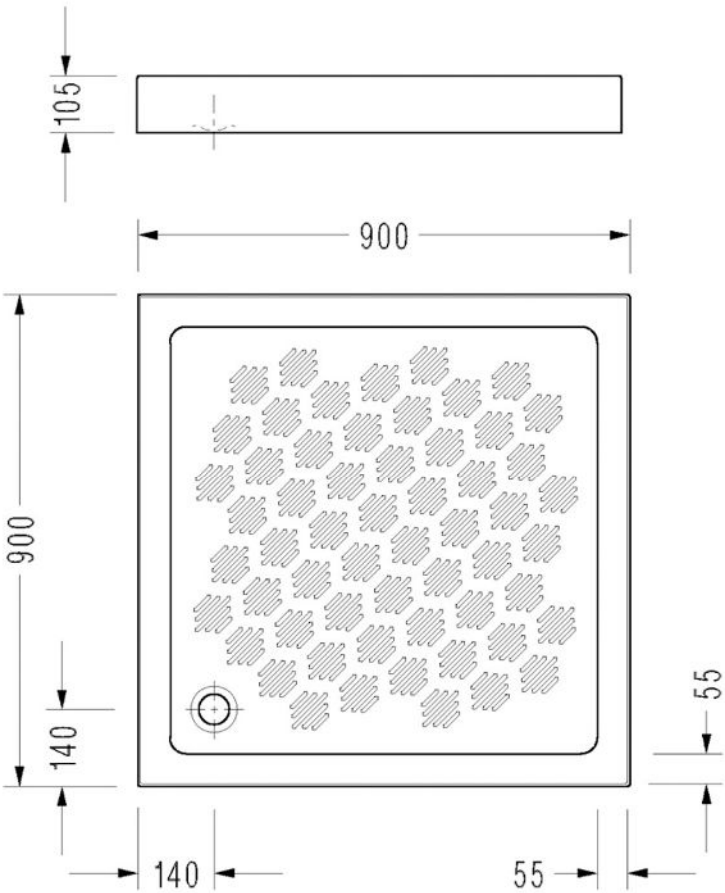


SHOWER TRAYS

PRODUCT NAME
4308 / Shower Trays

STANDARD
TS EN 14527

WEIGHT
43.480 kg.

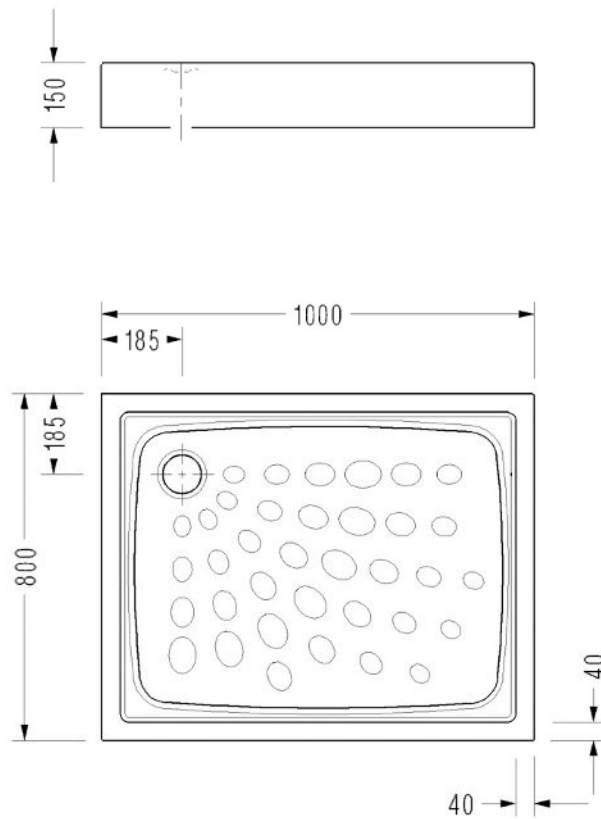


SHOWER TRAYS

PRODUCT NAME
4528 / Shower Tray

STANDARD
TS EN 14527

WEIGHT
48.480 kg.

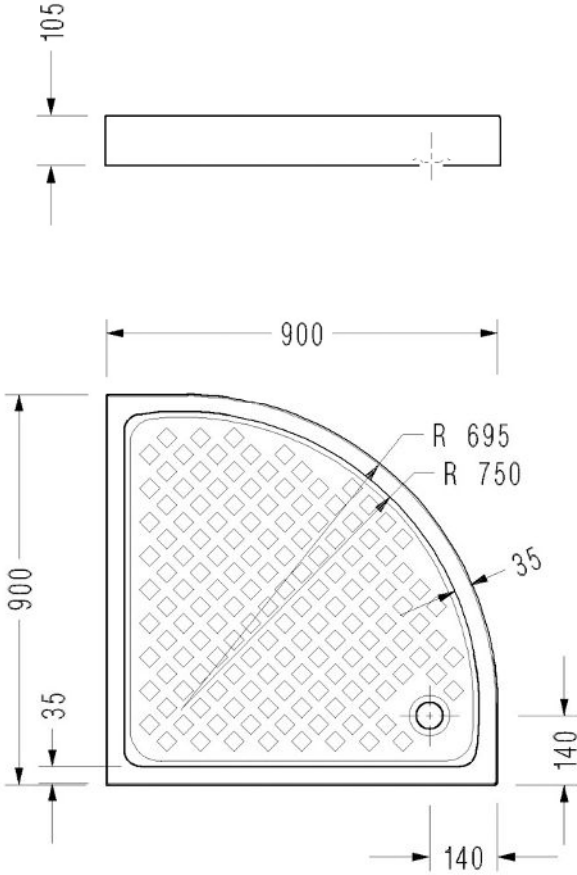


SHOWER TRAYS

PRODUCT NAME
4208 / Shower Tray

STANDARD
TS EN 14527

WEIGHT
29.570 kg.

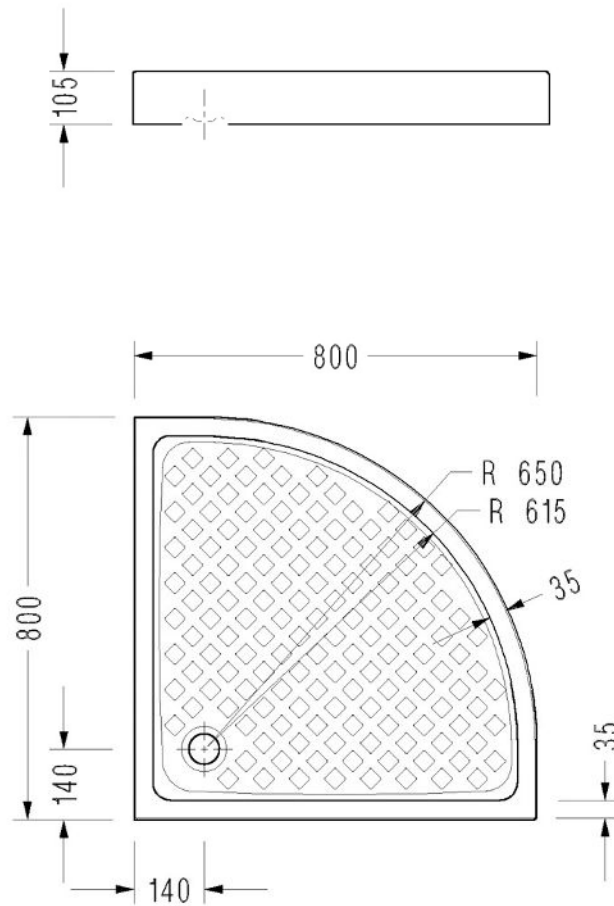


SHOWER TRAYS

PRODUCT NAME
4218 / Shower Tray

STANDARD
TS EN 14527

WEIGHT
28.000 kg.

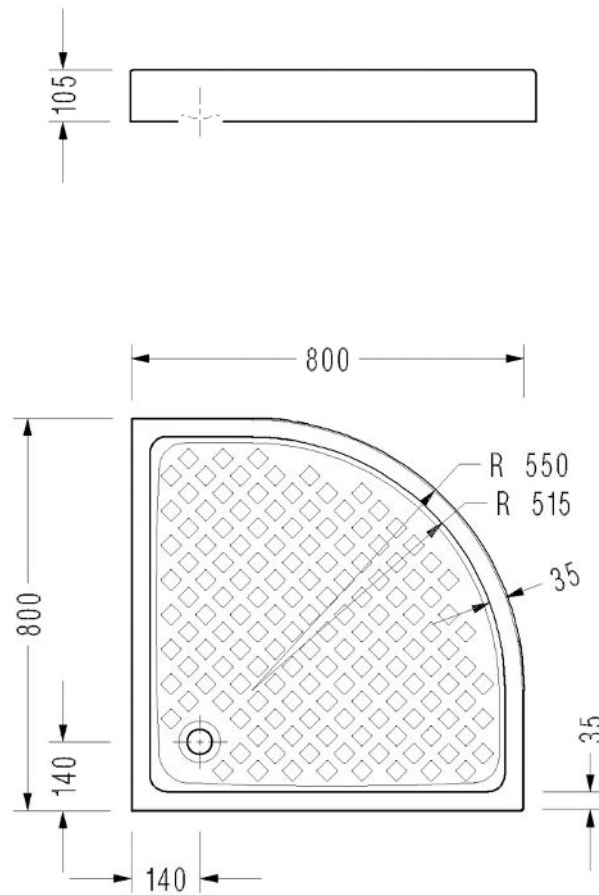


SHOWER TRAYS

PRODUCT NAME
4228 / Shower Tray

STANDARD
TS EN 14527

WEIGHT
27.790 kg.

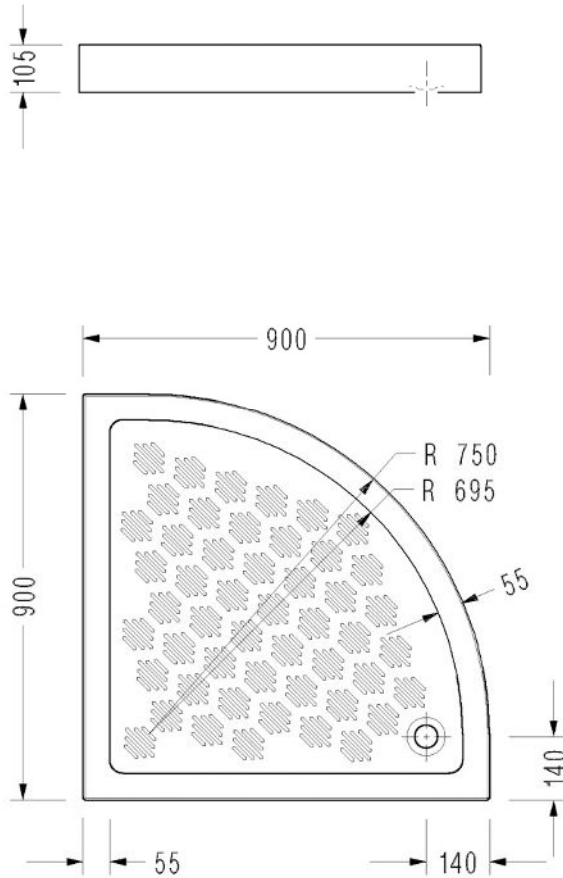


SHOWER TRAYS

PRODUCT NAME
4408 / Shower Tray

STANDARD
TS EN 14527

WEIGHT
37.330 kg.

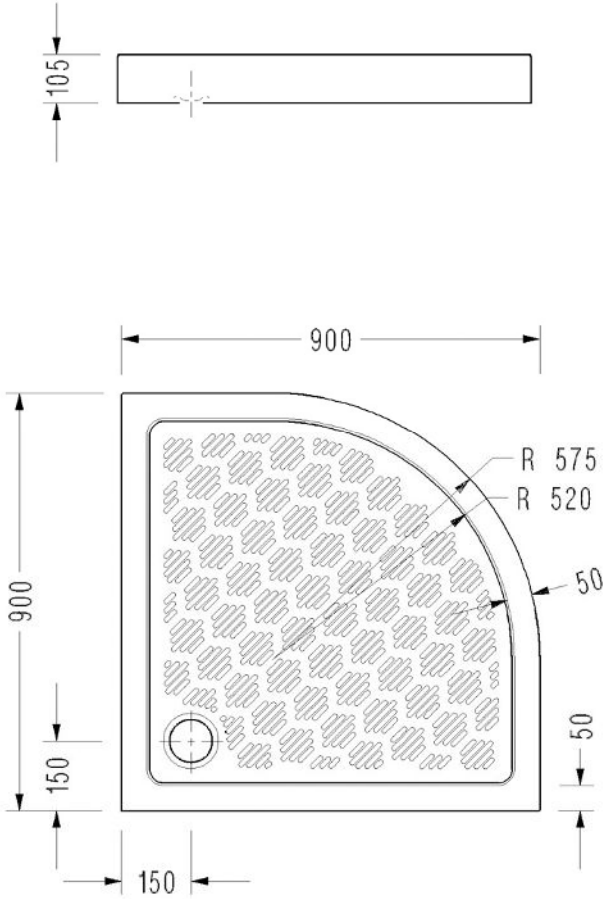


SHOWER TRAYS

PRODUCT NAME
4418 / Shower Tray

STANDARD
TS EN 14527

WEIGHT
35.050 kg.



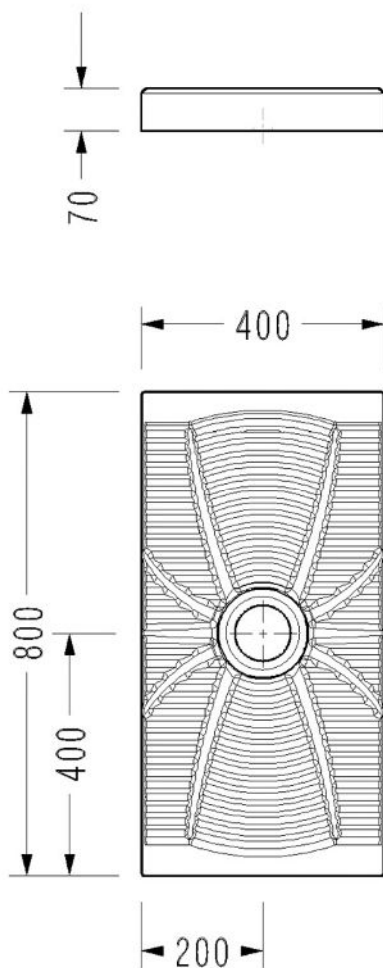
SHOWER TRAYS

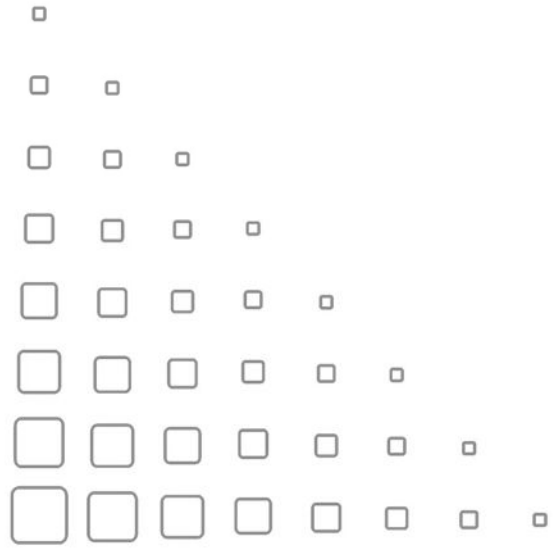
PRODUCT NAME
4704 / Modular Shower Unit

STANDARD
TS EN 14527

ASSEMBLY KIT
• 150400300243 / Cylindrical Shower Syphon (90mm) + Ceramic Plug (optional)

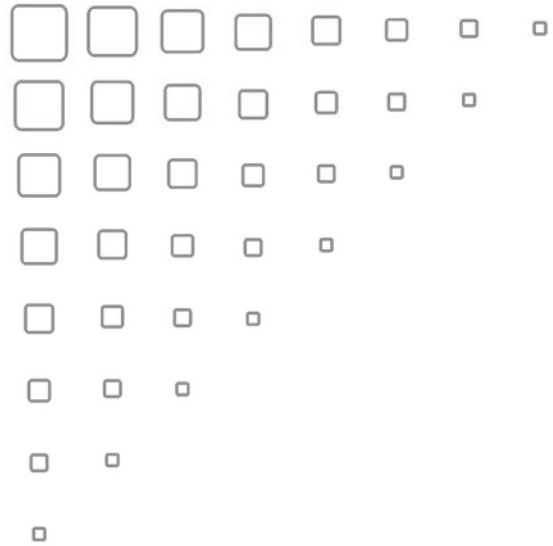
WEIGHT
17.050 kg.





SEREL®

COMPLEMENTARY PRODUCTS



SEATS & COVERS



PRODUCT NAME

233MR00002 / MARINE EasyRelease & SilentClose Duroplast Seat Cover
 223MR00002 / MARINE EasyRelease & SilentClose Duroplast Seat Cover (anti-bacterial)
 230MR00002 / MARINE EasyRelease Duroplast Seat Cover
 220MR00002 / MARINE EasyRelease Duroplast Seat Cover (anti-bacterial)

SUITABLE WC PAN

- MR10



PRODUCT NAME

2037400002 / ORCA SilentClose Duroplast Seat Cover
 2237400002 / ORCA SilentClose Duroplast Seat Cover (anti-bacterial)
 2007400002 / ORCA Duroplast Seat Cover
 2207400002 / ORCA Duroplast Seat Cover (anti-bacterial)

SUITABLE WC PAN

- 7402
- 7410
- 7411



PRODUCT NAME

2038900002 / VERDA SilentClose Duroplast Seat Cover
 2238900002 / VERDA SilentClose Duroplast Seat Cover (anti-bacterial)
 2008900002 / VERDA Duroplast Seat Cover
 2208900002 / VERDA Duroplast Seat Cover (anti-bacterial)

SUITABLE WC PAN

- 8910
- 8911
- DG10
- DG02
- DG16



PRODUCT NAME

2038500002 / RENATA SilentClose Duroplast Seat Cover
 2238500002 / RENATA SilentClose Duroplast Seat Cover (anti-bacterial)
 2008500002 / RENATA Duroplast Seat Cover
 2208500002 / RENATA Duroplast Seat Cover (anti-bacterial)

SUITABLE WC PAN

- RE10
- RE02
- RE11

SEATS & COVERS



PRODUCT NAME
 2037000002 / PRELUDE SilentClose Duroplast Seat Cover
 2237000002 / PRELUDE SilentClose Duroplast Seat Cover (anti-bacterial)
 2007000002 / PRELUDE Duroplast Seat Cover
 2207000002 / PRELUDE Duroplast Seat Cover (anti-bacterial)

SUITABLE WC PAN
 • 6502



PRODUCT NAME
 2006001002 / SPIL Duroplast Seat Cover
 2206001002 / SPIL Duroplast Seat Cover (anti-bacterial)

SUITABLE WC PAN
 • SM02 • 6802 • 6710
 • SM10 • 6806 • 6712
 • SM12 • 6810 • 6716
 • SM15 • 6811
 • SM16



PRODUCT NAME
 2036001002 / SPIL SilentClose Duroplast Seat Cover
 2236001002 / SPIL SilentClose Duroplast Seat Cover (anti-bacterial)

SUITABLE WC PAN
 • SM02 • 6802 • 6710
 • SM10 • 6806
 • SM15 • 6810
 • SM16 • 6811



PRODUCT NAME
 2016001002 / SPIL Magnesia Seat Cover

SUITABLE WC PAN
 • SM13

SEATS & COVERS



PRODUCT NAME
 2006601002 / PETUNYA Duroplast Seat Cover
 2206601002 / PETUNYA Duroplast Seat Cover (anti-bacterial)

SUITABLE WC PAN
 • 6410 • DP10
 • DP02



PRODUCT NAME
 2006600002 / PETUNYA Duroplast Seat Cover
 2206600002 / PETUNYA Duroplast Seat Cover (anti-bacterial)

SUITABLE WC PAN
 • 6402
 • 6406
 • 6411



PRODUCT NAME
 2006100002 / GEDIZ Duroplast Seat Cover
 2206100002 / GEDIZ Duroplast Seat Cover (anti-bacterial)
 2026100002 / GEDIZ Duroplast Seat Cover (plastic hinge)
 2226100002 / GEDIZ Duroplast Seat Cover (plastic hinge) (anti-bacterial)

SUITABLE WC PAN
 • 0402 • 6702 • 6602 • 7902 • 7602 • 9402 • 5302 • 7645 • DM02
 • 0412 • 6706 • 6606 • 7906 • 7606 • 9406 • 5306 • 6316 • DM06
 • 0422 • 6711 • 6611 • 7911
 • 0432
 • 0602
 • 0902



PRODUCT NAME
 2006200002 / NIOBE Duroplast Seat Cover
 2206200002 / NIOBE Duroplast Seat Cover (anti-bacterial)

SUITABLE WC PAN
 • DE10
 • DE02

SEATS & COVERS



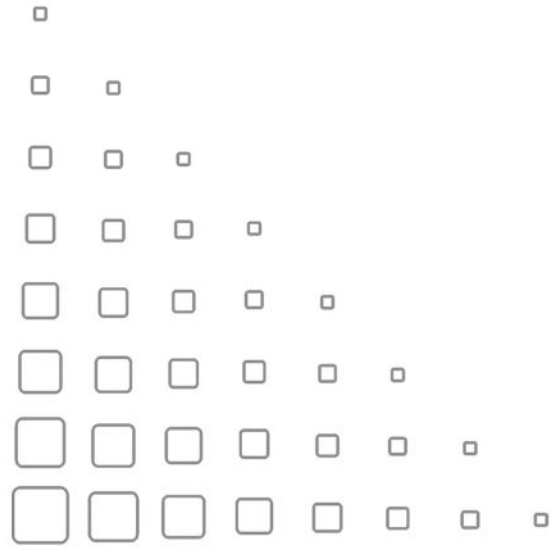
PRODUCT NAME
2008700002 / CHILDREN Duroplast Seat Cover
2208700002 / CHILDREN Duroplast Seat Cover (anti-bacterial)

SUITABLE WC PAN
• 8702



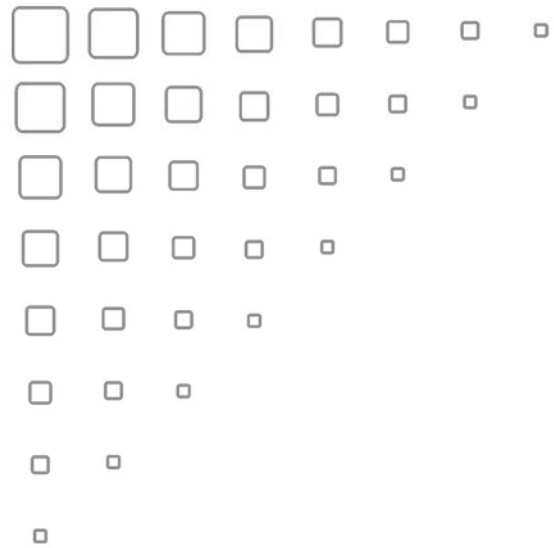
PRODUCT NAME
2006300002 / Duroplast SARDES Urinal Seat Cover
2206300002 / Duroplast SARDES Urinal Seat Cover (anti-bacterial)

SUITABLE URINAL
• 6809



SEREL®

ACCESSORIES

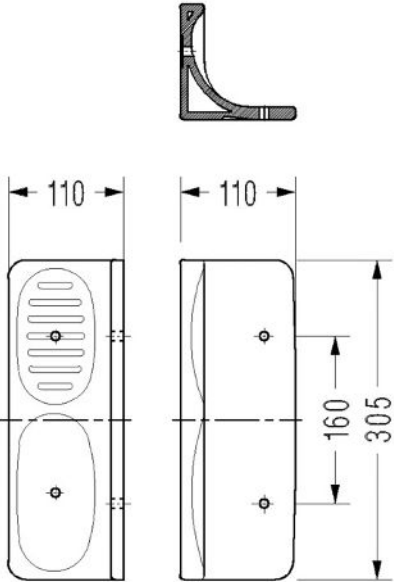


ACCESSORIES

PRODUCT NAME
FU10 / Soap Holder

ASSEMBLY KIT
• 150400300019 / On Tile Accessory Assembly Kit

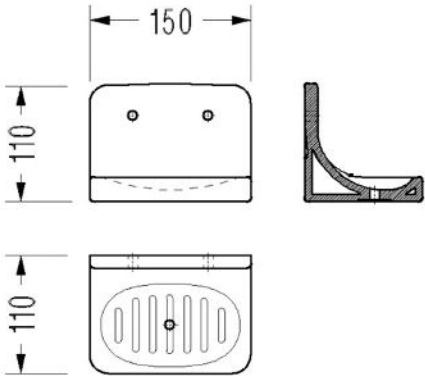
WEIGHT
2.040 kg.



PRODUCT NAME
FU13 / Soap Holder

ASSEMBLY KIT
• 150400300019 / On Tile Accessory Assembly Kit

WEIGHT
1.070 kg.

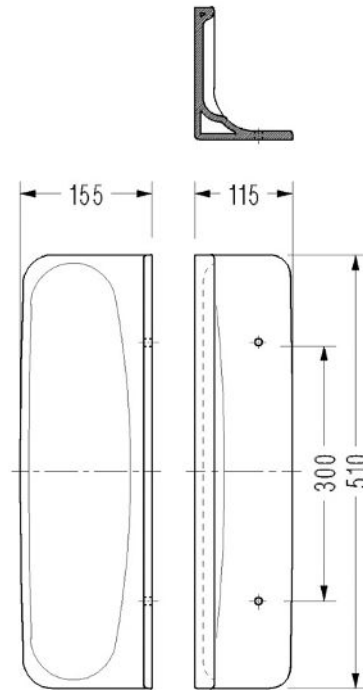


ACCESSORIES

PRODUCT NAME
FU14 / Shelf

ASSEMBLY KIT
• 150400300019 / On Tile Accessory Assembly Kit

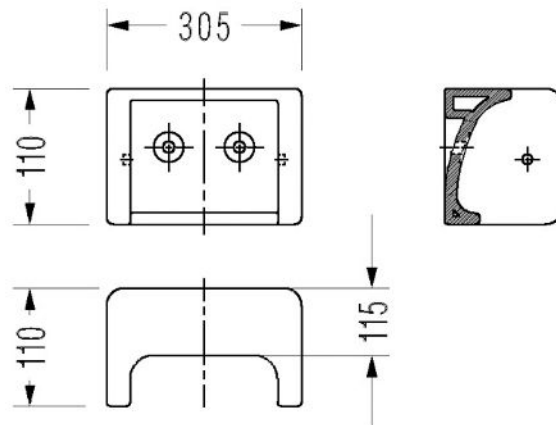
WEIGHT
3.850 kg.



PRODUCT NAME
FU15 / Paper Holder

ASSEMBLY KIT
• 150400300019 / On Tile Accessory Assembly Kit
• 150400300059 / Paper Bobbin

WEIGHT
1.570 kg.

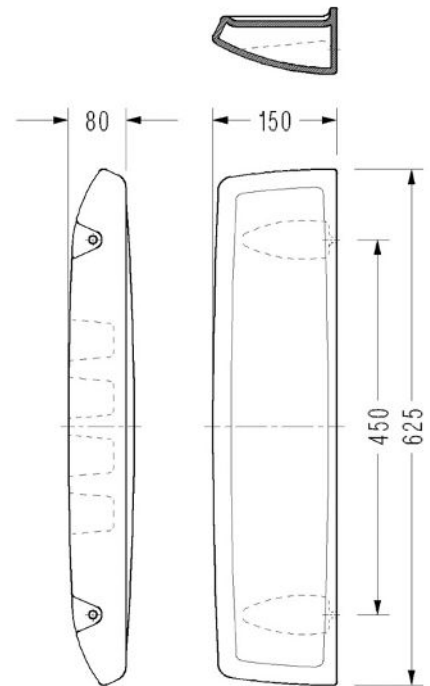


ACCESSORIES

PRODUCT NAME
ST14 / Shelf

ASSEMBLY KIT
• 150400300018 / Accessory Assembly Kit

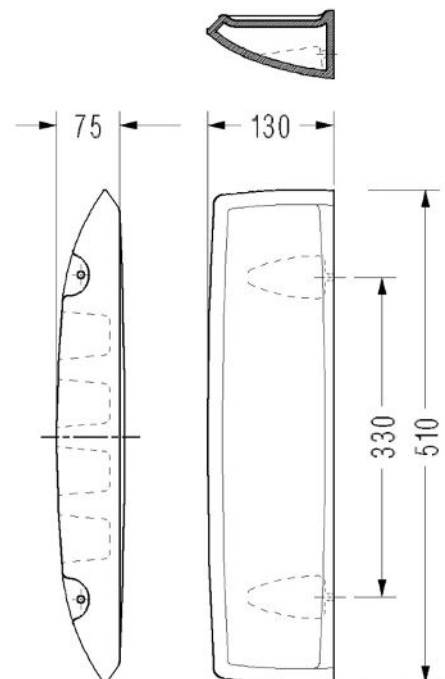
WEIGHT
4.290 kg.



PRODUCT NAME
E414 / Shelf

ASSEMBLY KIT
• 150400300018 / Accessory Assembly Kit

WEIGHT
2.980 kg.



ACCESSORIES

PRODUCT NAME

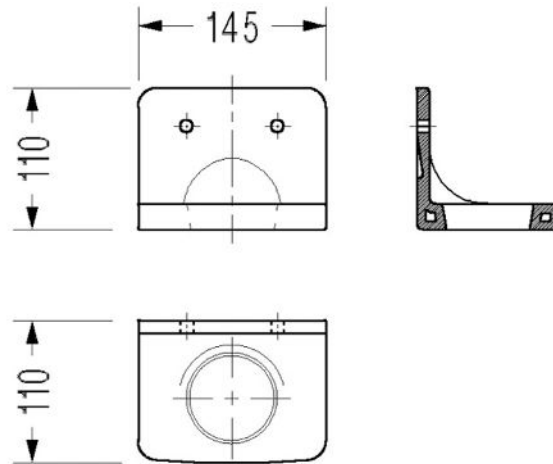
FU20 / Ceramic Glass Holder

ASSEMBLY KIT

- 150400300019 / On Tile Accessory Assembly Kit

WEIGHT

0.750 kg.



PRODUCT NAME

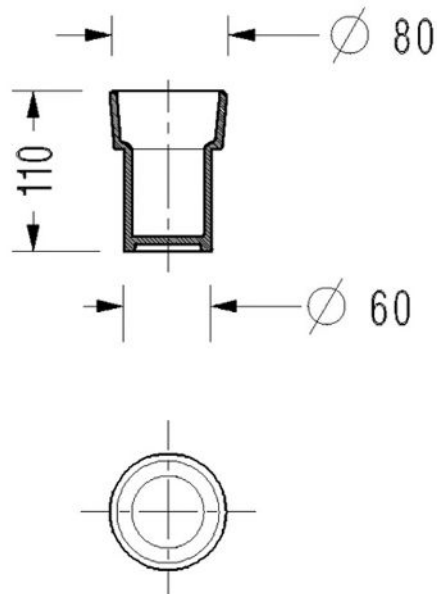
FU21 / Ceramic Glass

ASSEMBLY KIT

- 150400300019 / On Tile Accessory Assembly Kit

WEIGHT

0.460 kg.



ACCESSORIES

PRODUCT NAME

FU30 / Ring Towel Holder / 1 Pcs FU19 + Rounded Pipe (150400300013)

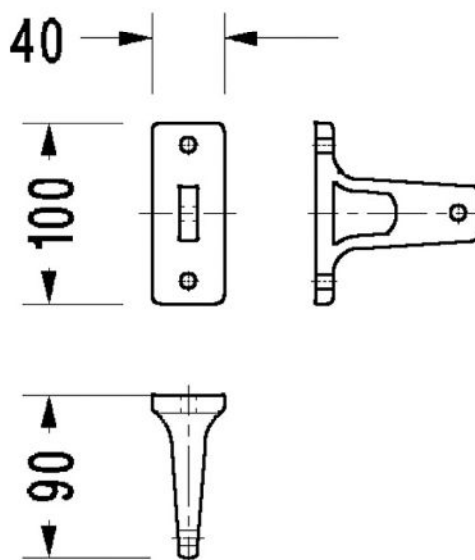
FU31 / Fixed Towel Holder / 2 Pcs FU19 + Straight Pipe (150400300014)

ASSEMBLY KIT

- 150400300019 / On Tile Accessory Assembly Kit

WEIGHT

0.200 kg.

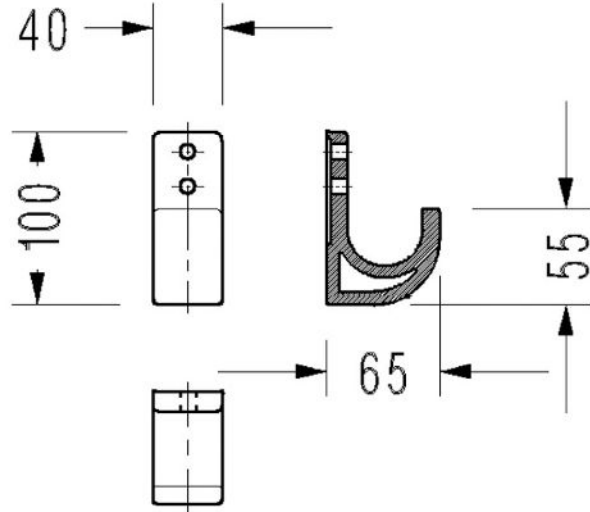


ACCESSORIES

PRODUCT NAME
FU22 / Hanger

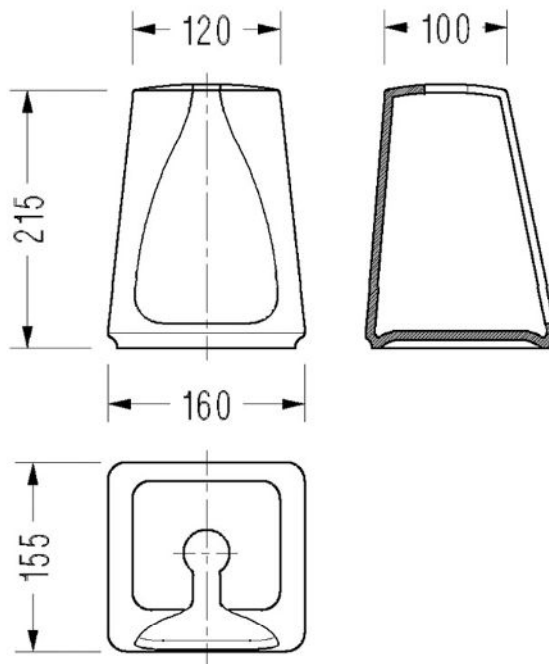
ASSEMBLY KIT
• 150400300019 / On Tile Accessory Assembly Kit

WEIGHT
0.270 kg.



PRODUCT NAME
ST24 / Brush Holder

WEIGHT
2.020 kg.



ACCESSORIES

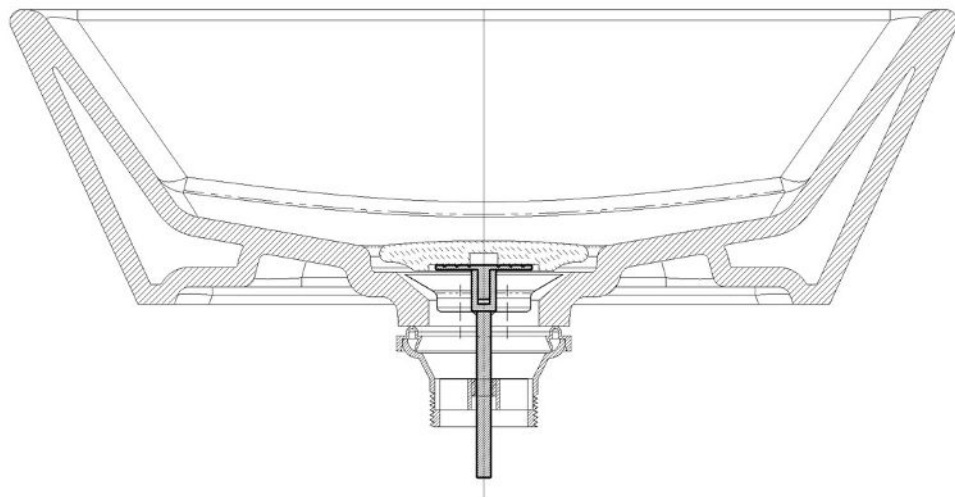
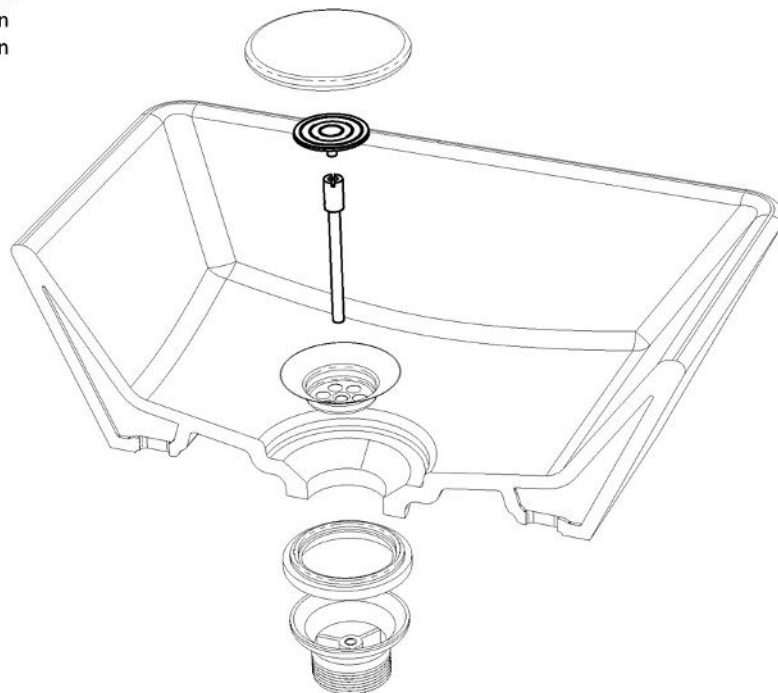
PRODUCT NAME

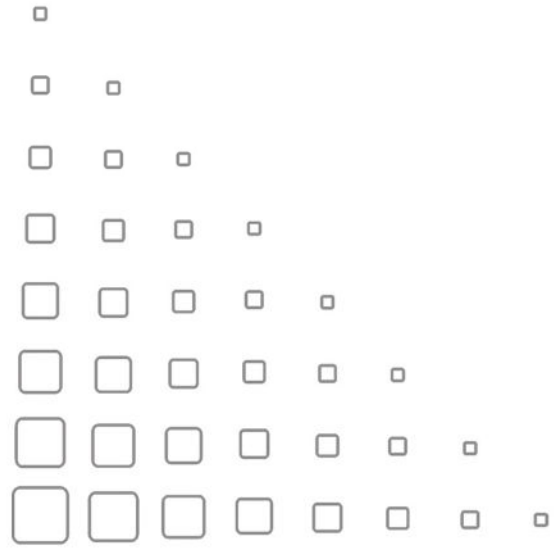
TP07 / Ceramic Plug

TP08 / Ceramic Plug (with syphon set)

SUITABLE WASHBASIN

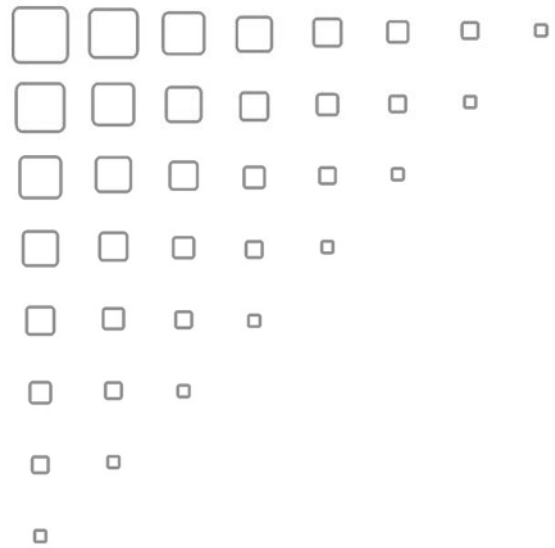
- MR01 / Marine Washbasin
- PB40 / Pebble Washbasin
- PB42 / Pebble Washbasin
- PB44 / Pebble Washbasin
- PB30 / Pebble Washbasin
- PB31 / Pebble Washbasin
- DG01 / Diagonal Washbasin
- DG30 / Diagonal Washbasin
- DG35 / Diagonal Washbasin
- 2013 / Minimal Washbasin
- 2014 / Minimal Washbasin





SEREL®

EXTRAS



NEW TECHNOLOGIES

SEREL®



Let the technology do the cleaning...

Ion Technology

Ion technology is a new kind of glazing application. With this new technology ceramic surfaces have an excellent smoothness; thus they do not let bacteria, dirt and stain appear on themselves. Your items shine like the first day you bought.

Ion technology is similar to new high quality glass porcelain production. The main process is much complex and requires more particularity comparing to conventional ceramics; however it is more valuable in long-term. Because, they provide a longer lifetime and hygienic usage rather than normal ceramic items.

Strong Ion Barrier

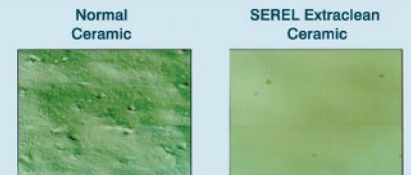
The daily cleaning chemicals are covering the ceramic the surface app. %50 and they generate an ion barrier. Despite this barrier, dirt and bacteria are still accumulating critically on the surface .

SEREL Extraclean ion technology provides a %100 barrier, which covers the whole ceramic area and an everlasting protection .



Appreciable Smoothness

Ion technologic ceramics have an extra smooth , shiny and slippery surfaces, which do not permit any dirt, stain and bacteria pass trough. Since they have a wavy surface , conventional ceramics have a natural risk to collect dirt and bacteria although they are cleaned regularly. On ceramics with ion technology , dirts are sliding away from the surface easily with the help of water.



Bacteria and Plaque Protection

Bacteria and dirt particules are gradually becoming a layer . Mostly this layer is seen as little black spots on the surface and they enlarge to bigger areas. This is impossible for ion technology processed surfaces. So your bathroom and toilets remain clean and hygenic with a minimum care. On the side, you may see the difference between normal and SEREL Extraclean surfaces of a WC pan, which were stained with a strong mixture of used engine oil and household oil. After the cleaning with water, there are still dirt on the normal ceramic surface, while SEREL Extraclean remain shiny and clean.



Performance of Ion Technology

Ion technology processed Wc pan and conventional wc pan are compared after they have been stained with household waste oil and used engine oil mixture.

After that, both wc pans are cleaned with normal flushing volume. After the flushing, no dirt and stain remain on the SEREL Extraclean surface; however the traces are clearly seen on the normal ceramic.



Nomore dirt, stain, bacteria and water!

Because of the smooth and shiny surfaces of the SEREL Extraclean ceramics, none of dirt, stain and water remains on the surface; they all slip away. SEREL Extraclean provides a longlasting cleaning. Bad smelling dirts, bacteria and strong stains are now easy to defeat only with water. There is no need of gallons of water and expensive chemicals anymore. So you save your time and money.

Mostly important is that; you have a share on protecting and saving the environment in the name of saving natural resources and energy. SEREL Extraclean stays new like the first time; ever and ever.

ADDITIONAL&RELATED ITEMS

Seat Covers



Usage of Duroplast Seat Covers

-SEREL Duroplast seat covers are produced since 1995, at MATEL A.Ş. SEREL Ceramic Sanitary Wares Factory Factory Manisa plant by using latest technologies and environmental-friendly raw materials.

-Duroplast (Urea Formaldehit) provides a long life and reliable usage for its resistance and surface smoothness.

-The installation of the covers is so handy that you can easily make it on your own by the help of a screwdriver.

-You can use neutral polish or silicone based shiners to get a more brilliant look.

-SEREL Duroplast seat covers give you 2 years guarantee against production faults.

 **Elginkan**



www.serel.com.tr

January 2012

SEREL is registered trademark of MATEL A.Ş.; a member of ELGINKAN Group. We reserve the right to alter product specification and colors and to make technical modifications without prior notice