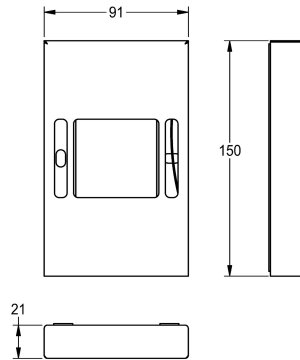


KWC RODAN Hygiene bag dispenser

Modell-Linie: **RODAN | RODX191**
Accessories | Hygiene bag dispensers



KWC-No.

2000101218

Surface-mounted hygiene bag dispenser Dimensions 91 x 150 x 21 mm (W x H x D)

Hygiene bag dispenser for wall mounting, stainless steel, surface satin finished, material thickness 0.8 mm, edges not welded, inboard lug to hold package, withdrawal from front, incl. premounted double side self-adhesive tape and stainless steel

screws and dowels, includes cleaning rag to clean bonding surface.

Dimensions 91 x 150 x 21 mm (W x H x D)

Technical Data

filling quantity
filling quantity uom
lock
material
material code
material thickness
overall depth
overall height
overall width
surface finish
type of consumable
type of fixing
type of mounting
type of operation

30
pieces
no lock
stainless steel
1.4301 Chrome Nickel steel V2A
0.8 mm
24 mm
150 mm
93 mm
satin finished
hygiene bag
screw - glue
wall mounting
manual operation

Consumables





KWC RODAN
Hygiene bag dispenser

Modell-Linie: RODAN | RODX191
Accessories | Hygiene bag dispensers

Hygiene bag

2030058764
HBD191BP
