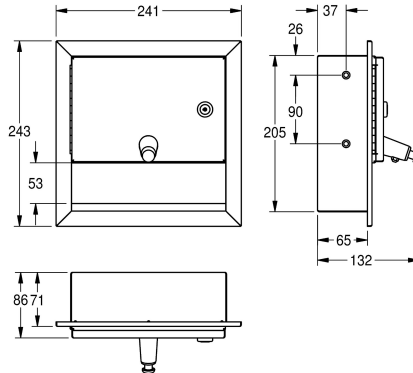


KWC RODAN

Soap dispenser for recessed mounting

Modell-Linie: RODAN | RODX619E

Accessories | Soap dispensers



KWC-No.

2000090069

Dimensions 241 x 243 x 132 mm (W x H x D)

Soap dispenser for recessed mounting, stainless steel, surface satin finished, material thickness 0.8 mm, folded front cover, cylinder lock with KWC standard key, suitable for liquid soaps and lotions, 1 liter soap tank, push button on front, includes stainless steel screws and

dowels.

Dimensions 241 x 243 x 132 mm (W x H x D)

Technical Data

| | |
|------------------------|--------------------------------|
| filling quantity | 1 |
| filling quantity uom | liter |
| lock | key-lock |
| material | stainless steel |
| material code | 1.4301 Chrome Nickel steel V2A |
| material thickness | 0.8 mm |
| overall depth | 132 mm |
| overall height | 243 mm |
| overall width | 241 mm |
| surface finish | satin finished |
| type of consumable | liquid soap |
| type of fixing | screw |
| type of mounting | recessed mounting |
| type of operation | manual operation |
| type of soap container | integrated refillable tank |

Consumables





KWC RODAN

Soap dispenser for recessed mounting

Modell-Linie: RODAN | RODX619E
Accessories | Soap dispensers

Liquid soap

2030058103
SO1LP

Liquid soap

2000057168
SO10L
