

# 820 NOVA

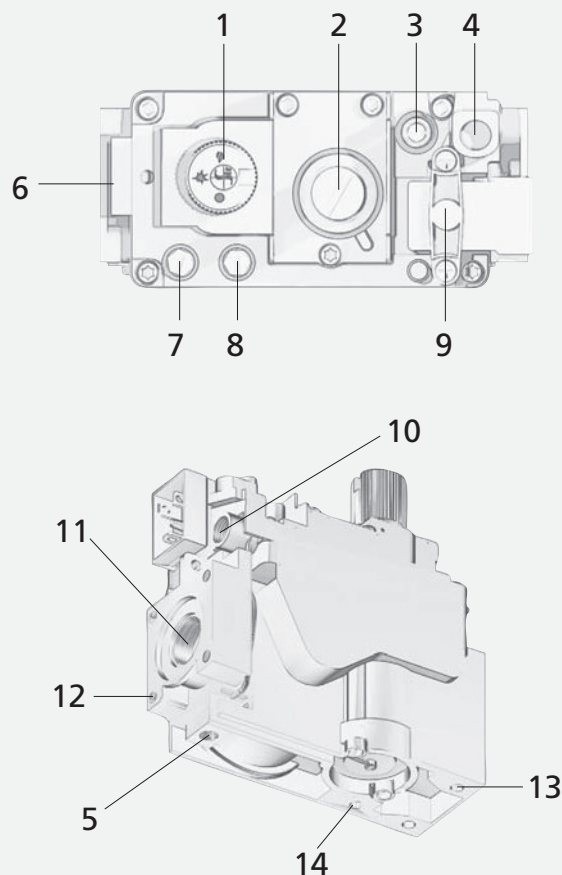
## MAIN FEATURES

- Control knob with Off, Pilot and On positions.
- Thermoelectric flame supervision device with re-start interlock.
- Near silent shut-off valve.
- Servo-controlled pressure regulator.
- Step opening ignition device (optional).
- Main gas flow control (optional).
- Pilot outlet with gas flow adjustment screw.
- Inlet and pilot filters.
- Inlet and outlet pressure test points.
- Threaded gas inlet and outlet with provision for flange connection.
- Connection for combustion chamber pressure regulator compensation.



## DESCRIPTION

- 1 Control knob
- 2 Pressure regulator cap screw
- 3 Pilot gas rate adjuster
- 4 Thermocouple connection
- 5 Alternative thermocouple connection
- 6 Provision for accessories support bracket
- 7 Inlet pressure test point
- 8 Outlet pressure test point
- 9 Actuation valve
- 10 Pilot outlet
- 11 Main gas outlet
- 12 Holes (M5) for mounting flange
- 13 Supplementary fixing points for valve
- 14 Connection point for combustion chamber pressure regulator compensation



## CODES

Codes	Ambient Temp. range	TC connection	Inlet	Outlet	EV Electric supply	EV Class	Step-opening	Pressure regulator	Pressure regulator plug
0820003	-20÷60°C	M 9x1	RP 1/2"	RP 1/2"	220/240 V - 50 Hz	D	Standard-First level press. 3÷5 mbar duration 4÷9 sec	Standard 3-30 mbar	blind
0820009	0÷70°C	M 9x1	RP 1/2"	RP 1/2"	24 V - 50 Hz	D	No step opening	Standard 3-30 mbar	drilled
0820010	0÷70°C	M 9x1	RP 1/2"	RP 1/2"	220/240 V - 50 Hz	D	Standard-First level press. 3÷5 mbar duration 4÷9 sec	Standard 3-30 mbar	blind
0820011	0÷70°C	M 9x1	RP 1/2"	RP 1/2"	220/240 V - 50 Hz	D	Special-First level press. 2÷3mbar dur. 6÷14s drilled plug	Standard 3-30 mbar	drilled
0820012	0÷70°C	M 9x1	RP 1/2"	RP 1/2"	240 V - 50 Hz		Standard-First level press. 3÷5 mbar duration 4÷9 sec	Standard 3-30 mbar	
0820013	0÷70°C	M 9x1	RP 1/2"	RP 1/2"	220/240 V - 50 Hz	D	Standard-First level press. 3÷5 mbar duration 4÷9 sec	Standard 3-30 mbar	blind
0820014	0÷70°C	M 9x1	RP 1/2"	RP 1/2"	220/240 V - 50 Hz	D	Special-First level press. 2÷3mbar dur. 6÷14s standard plug	Standard 3-30 mbar	blind
0820016	0÷70°C	M 9x1	RP 1/2"	RP 1/2"	24 V - 50 Hz	D	Special-First level press. 2÷3mbar dur. 6÷14s drilled plug	Standard 3-30 mbar	drilled
0820017	0÷70°C	M 9x1	RP 1/2"	RP 1/2"	220/240 V - 50 Hz	D	Standard-First level press. 3÷5 mbar duration 4÷9 sec	Standard 3-30 mbar	blind
0820018	0÷70°C	M 9x1	RP 1/2"	RP 1/2"	220/240 V - 50 Hz	D	No step opening	Standard 3-30 mbar	blind
0820019	0÷70°C	M 9x1	RP 1/2"	RP 1/2"	220/240 V - 50 Hz	D	Special-First level press. 6÷10 mbar duration 4÷9 s	Out of service with PR exclusion screw	exclusion RP
0820020	0÷70°C	11/32" ASA	RP 1/2"	RP 1/2"	220/240 V - 50 Hz	D	Standard-First level press. 3÷5 mbar duration 4÷9 sec	Standard 3-30 mbar	blind
0820021	0÷70°C	11/32" ASA	RP 1/2"	RP 1/2"	220/240 V - 50 Hz	D	Standard-First level press. 3÷5 mbar duration 4÷9 sec	Standard 3-30 mbar	blind
0820023	0÷70°C	11/32" ASA	RP 1/2"	RP 1/2"	220/240 V - 50 Hz	C	Special-First level press. 6÷10 mbar duration 4÷9 s	Out of service with PR exclusion screw	
0820025	0÷70°C	11/32" ASA	RP 1/2"	RP 1/2"	24 V - 50 Hz	D	Standard-First level press. 3÷5 mbar duration 4÷9 sec	Standard 3-30 mbar	blind
0820026	0÷70°C	11/32" ASA	RP 1/2"	RP 1/2"	24 V - 50 Hz	D	Standard-First level press. 3÷5 mbar duration 4÷9 sec	Standard 3-30 mbar	blind
0820028	0÷70°C	11/32" ASA	RP 1/2"	RP 1/2"	24 V - 50 Hz	D	No step opening	Standard 3-30 mbar	blind
0820029	0÷70°C	M 9x1	RP 1/2"	RP 1/2"	220/240 V - 50 Hz	D	Special-First level press. 1.2÷2.2 mbar duration 4÷9 s	Standard 3-30 mbar	
0820030	0÷70°C	M 9x1	RP 1/2"	RP 1/2"	240 V - 50 Hz	D	Standard-First level press. 3÷5 mbar duration 4÷9 sec	Standard 3-30 mbar	
0820031	0÷70°C	M 9x1	RP 1/2"	RP 1/2"	220/240 V - 50 Hz	D	No step opening	5 - 50 mbar	blind
0820032	0÷70°C	M 9x1	RP 1/2"	RP 1/2"	220/240 V - 50 Hz	D	Special-First level press. 2÷3mbar dur. 6÷14s standard plug	5 - 50 mbar	blind
0820033	0÷70°C	11/32" ASA	RP 1/2"	RP 1/2"	220/240 V - 50 Hz	D	Special-First level press. 6÷10 mbar duration 4÷9 s	Out of service with PR exclusion screw	blind
0820034	0÷70°C	M 9x1	RP 1/2"	RP 1/2"	220/240 V - 50 Hz	D	Standard-First level press. 3÷5 mbar duration 4÷9 sec	5 - 50 mbar ( set: out of service )	exclusion RP
0820037	0÷70°C	M 9x1	RP 1/2"	RP 1/2"	24 V - 50 Hz	D	No step opening	5 - 50 mbar	blind
0820042	0÷70°C	M 9x1	RP 1/2"	RP 1/2"	220/240 V - 50 Hz	D	No step opening	Standard 3-30 mbar	blind
0820050	0÷70°C	M 9x1	RP 1/2"	RP 1/2"	220/240 V - 50 Hz	D	Standard-First level press. 3÷5 mbar duration 4÷9 sec	Standard 3-30 mbar	blind
0820052	0÷70°C	11/32" ASA	RP 1/2"	RP 1/2"	220/240 V - 50 Hz	D	Standard-First level press. 3÷5 mbar duration 4÷9 sec	Standard 3-30 mbar	blind
0820053	0÷70°C	11/32" ASA	RP 1/2"	RP 1/2"	220/240 V - 50 Hz	D	Special-First level press. 2÷3mbar dur. 6÷14s drilled plug	Standard 3-30 mbar	drilled
0820054	0÷70°C	M 9x1	RP 1/2"	RP 1/2"	220/240 V - 50 Hz	D	Standard-First level press. 3÷5 mbar duration 4÷9 sec	Standard 3-30 mbar	blind
0820055	0÷70°C	11/32" ASA	RP 1/2"	RP 1/2"	220/240 V - 50 Hz	D	Special-First level press. 7-10 mbar duration 4-9 s	Standard 3-30 mbar	blind
0820056	0÷70°C	11/32" ASA	RP 1/2"	RP 1/2"	220/240 V - 50 Hz	D	Special-First level press. 7-10 mbar duration 4-9 s	Standard 3-30 mbar	blind
0820060	0÷70°C	M 9x1	RP 1/2"	RP 1/2"	220 V - 60 Hz	D	Standard-First level press. 3÷5 mbar duration 4÷9 sec	Standard 3-30 mbar	blind
0820062	0÷70°C	11/32" ASA	RP 1/2"	RP 1/2"	220/240 V - 50 Hz	D	No step opening	5 - 50 mbar	
0820063	0÷70°C	11/32" ASA	RP 1/2"	RP 1/2"	220/240 V - 50 Hz	D	Standard-First level press. 3÷5 mbar duration 4÷9 sec	5 - 50 mbar	
0820125	0÷70°C	11/32" ASA	RP 1/2"	RP 1/2"	24 V - 50 Hz	D	Standard-First level press. 3÷5 mbar duration 4÷9 sec	Standard 3-30 mbar	blind
0820126	0÷70°C	11/32" ASA	RP 1/2"	RP 1/2"	24 V - 50 Hz	D	Special-First level press. 2÷3mbar dur. 6÷14s standard plug	Standard 3-30 mbar	blind
0820301	0÷70°C	M 9x1	RP 1/2"	RP 1/2"	Millivoltage version	/	No step opening	5 - 50 mbar ( set: out of service )	blind
0820302	0÷70°C	M 9x1	RP 1/2"	RP 1/2"	Millivoltage version	/	No step opening	Standard 3-30 mbar	
0820303	0÷70°C	M 9x1	RP 1/2"	RP 1/2"	Millivoltage version	/	Standard-First level press. 3÷5 mbar duration 4÷9 sec	Standard 3-30 mbar	blind
0820331	0÷70°C	M 9x1	RP 1/2"	RP 1/2"	Millivoltage version	/	No step opening	Manual HI-LO 25% for GPL (Europe version)	
0820332	0÷70°C	M 9x1	RP 1/2"	RP 1/2"	Millivoltage version	/	No step opening	Manual HI-LO 33% for N. G. (Europe version)	
0820522	32÷175°F	11/32" ASA	1/2" NPT	1/2" NPT	24 V - 60 Hz	/	Standard-First level press. 3÷5 mbar duration 4÷9 sec	N. G. version (set at 3.5" Pi=7" Q=30000 Btu)	blind

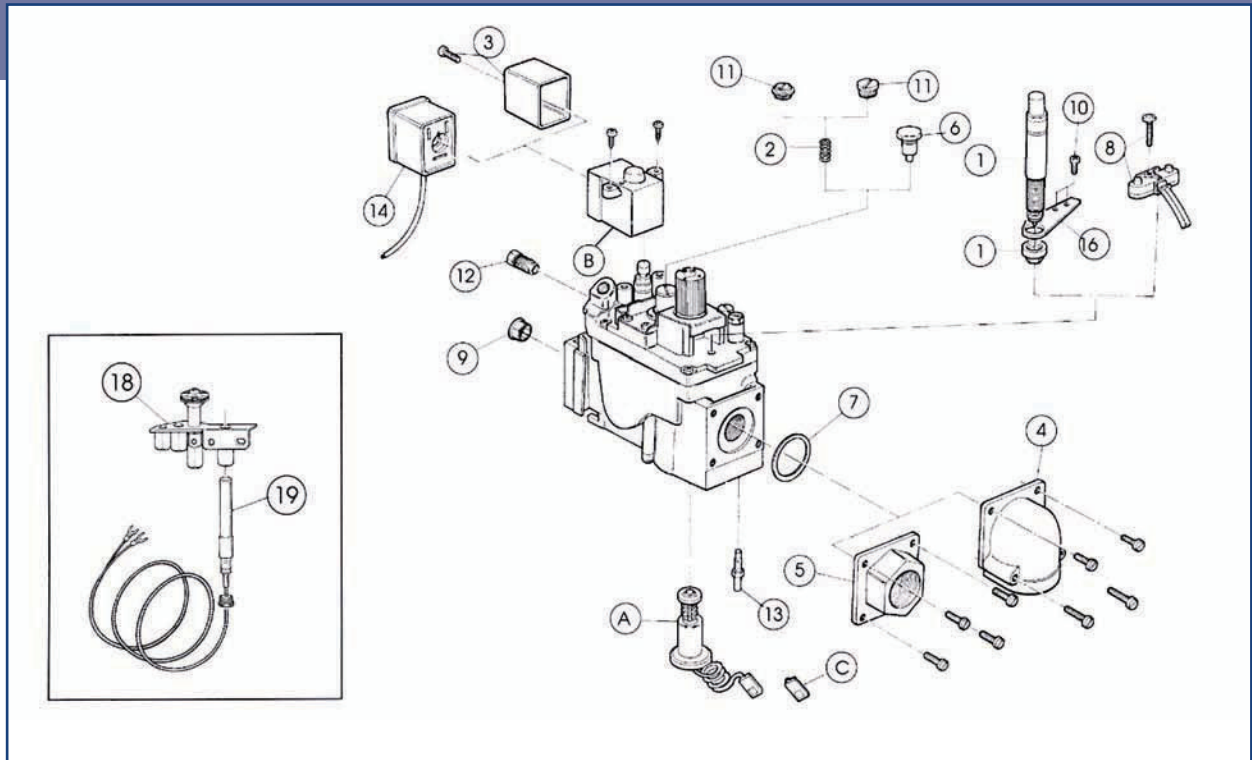


Codes	Ambient Temp. range	TC connection	Inlet	Outlet	EV Electric supply	EV Class	Step-opening	Pressure regulator	Pressure regulator plug
0820605	32±175°F	11/32" ASA	3/8" NPT	3/8" NPT	Millivoltage version	/	No step opening	Manual HI-LO NG (set at 3.8" Pi=7" Q=30000 Btu) LO 1.1"	
0820615	32±175°F	M 8x1	3/8" NPT	3/8" NPT	Millivoltage version	/	No step opening	GPL version (set at 10" Pi=12" Q=30000 Btu)	
0820616	32±175°F	M 8x1	3/8" NPT	3/8" NPT	Millivoltage version	/	No step opening	N. G. version (set at 3.5" Pi=7" Q=30000 Btu)	
0820617	32±175°F	11/32" ASA	3/8" NPT	3/8" NPT	Millivoltage version	/	No step opening	GPL version (set at 10" Pi=12" Q=30000 Btu)	
0820618	32±175°F	11/32" ASA	3/8" NPT	3/8" NPT	Millivoltage version	/	No step opening	N. G. version (set at 3.5" Pi=7" Q=30000 Btu)	
0820634	32±175°F	11/32" ASA	3/8" NPT	3/8" NPT	Millivoltage version	/	No step opening	Manual HI-LO 33% for N. G. (set at 3.5" Pi=7" Q=30000 Btu)	
0820635	32±175°F	11/32" ASA	3/8" NPT	3/8" NPT	Millivoltage version	/	No step opening	Manual HI-LO 20% for N. G. (set at 3.5" Pi=7" Q=30000 Btu)	
0820636	32±175°F	M 8x1	3/8" NPT	3/8" NPT	Millivoltage version	/	No step opening	Manual HI-LO 25% for GPL ( set at 10" Pi=12" Q=30000 Btu)	
0820637	32±175°F	M 8x1	3/8" NPT	3/8" NPT	Millivoltage version	/	No step opening	Manual HI-LO 33% for N. G. (set at 3.5" Pi=7" Q=30000 Btu)	
0820638	32±175°F	M 8x1	3/8" NPT	3/8" NPT	Millivoltage version	/	No step opening	Manual HI-LO 20% for N. G. (set at 3.5" Pi=7" Q=30000 Btu)	
0820639	32±175°F	11/32" ASA	3/8" NPT	3/8" NPT	Millivoltage version	/	No step opening	Manual HI-LO 25% for GPL ( set at 10" Pi=12" Q=30000 Btu)	
0820640	32±175°F	11/32" ASA	3/8" NPT	3/8" NPT	Millivoltage version	/	No step opening	Manual HI-LO 33% for N. G. (set at 3.5" Pi=7" Q=30000 Btu)	
0820644	32±175°F	11/32" ASA	3/8" NPT	3/8" NPT	Millivoltage version	/	No step opening	Manual HI-LO NG (set at 3.8" Pi=7" Q=30000 Btu) LO 1.1"	
0820645	32±175°F	11/32" ASA	3/8" NPT	3/8" NPT	Millivoltage version	/	No step opening	Manual HI-LO GPL (set at 11" Pi=16" Q=30000 Btu) LO 2.9"	
0820646	32±175°F	M 8x1	3/8" NPT	3/8" NPT	Millivoltage version	/	No step opening	Manual HI-LO 33% for N. G. (set at 5" Pi=7" Q=30000 Btu)	
0820647	32±175°F	M 8x1	3/8" NPT	3/8" NPT	Millivoltage version	/	No step opening	Manual HI-LO GPL (set at 10" Pi=12" Q=30000 Btu) LO 3.6"	
0820648	32±175°F	M 8x1	3/8" NPT	3/8" NPT	Millivoltage version	/	No step opening	Manual HI-LO NG (set at 3.5" Pi=7" Q=30000 Btu) LO 1.3"	
0820651	32±175°F	11/32" ASA	3/8" NPT	3/8" NPT	Millivoltage version	/	No step opening	Manual HI-LO 25% for GPL ( set at 10" Pi=12" Q=30000 Btu)	
0820652	32±175°F	11/32" ASA	3/8" NPT	3/8" NPT	Millivoltage version	/	No step opening	Manual HI-LO 33% for N. G. (set at 3.5" Pi=7" Q=30000 Btu)	
0820653	32±175°F	11/32" ASA	3/8" NPT	3/8" NPT	Millivoltage version	/	No step opening	Manual HI-LO GPL (set at 10" Pi=12" Q=30000 Btu) LO 3.6"	
0820654	32±175°F	11/32" ASA	3/8" NPT	3/8" NPT	Millivoltage version	/	No step opening	Manual HI-LO NG (set at 3.5" Pi=7" Q=30000 Btu) LO 0.9"	
0820656	32±175°F	11/32" ASA	3/8" NPT	3/8" NPT	Millivoltage version	/	No step opening	N. G. version (set at 3.5" Pi=7" Q=30000 Btu)	
0820657	32±175°F	11/32" ASA	3/8" NPT	3/8" NPT	Millivoltage version	/	No step opening	GPL version (set at 10" Pi=12" Q=30000 Btu)	
0820658	32±175°F	11/32" ASA	1/2" NPT	1/2" NPT	Millivoltage version	/	No step opening	N. G. version (set at 4" Pi=7" Q=100000 Btu)	
0820659	32±175°F	11/32" ASA	1/2" NPT	1/2" NPT	Millivoltage version	/	No step opening	GPL version (set at 11" Pi=12" Q=100000 Btu)	
0820662	32±175°F	11/32" ASA	3/8" NPT	3/8" NPT	Millivoltage version	/	No step opening	N. G. version (set at 3.5" Pi=7" Q=30000 Btu) Conv. to GPL	

Codes	Ambient Temp. range	TC connection	Inlet	Outlet	EV Electric supply	EV Class	Step-opening	Pressure regulator	Pressure regulator plug
0820703	32÷175°F	11/32" ASA	3/8" NPT	3/8" NPT	Millivoltage version	/	No step opening	Manual HI-LO NG (set at 3.5" Pi=7" Q=30000 Btu) LO 0.9"	
0820704	32÷175°F	11/32" ASA	3/8" NPT	3/8" NPT	Millivoltage version	/	No step opening	Manual HI-LO 33% for N. G. (set at 3.5" Pi=7" Q=30000 Btu)	
0820705	32÷175°F	11/32" ASA	3/8" NPT	3/8" NPT	Millivoltage version	/	No step opening	Manual HI-LO 25% for GPL ( set at 10" Pi=12" Q=30000 Btu)	
0820706	32÷175°F	11/32" ASA	3/8" NPT	3/8" NPT	Millivoltage version	/	No step opening	Manual HI-LO 20% NG (set at 3.5" Pi=7" Q=30000 Btu) Blue dot	
0820707	32÷175°F	11/32" ASA	3/8" NPT	3/8" NPT	Millivoltage version	/	No step opening	Manual HI-LO GPL (set at 10" Pi=12" Q=30000 Btu) LO 3.6"	
0820708	32÷175°F	11/32" ASA	3/8" NPT	3/8" NPT	Millivoltage version	/	No step opening	Manual HI-LO NG (set at 3.5" Pi=7" Q=30000 Btu) LO 1.3"	
0820805	32÷175°F	11/32" ASA	3/8" NPT	3/8" NPT	Millivoltage version	/	No step opening	NG 3.8"-1.1" & GPL 11-2.9"	
0820844	32÷175°F	11/32" ASA	3/8" NPT	3/8" NPT	Millivoltage version	/	No step opening	NG 3.8"-1.1" & GPL 11-2.9"	
0820852	32÷175°F	11/32" ASA	3/8" NPT	3/8" NPT	Millivoltage version	/	No step opening	NG 3.5"-1.6" & GPL 10"-6.3"	
0820880	32÷175°F	11/32" ASA	3/8" NPT	3/8" NPT	Millivoltage version	/	No step opening	NG 3.5"-1.3" & GPL 10"-5.2"	







## SPARE PARTS

N.	Code	Description	Q.ty	N.	Code	Description	Q.ty
A	0.006.245	Magnet unit with lead-faston and insulating plate	5	B3	0.967.066	EV2 220-240 V – 50 Hz solenoid with top exit and screws	5
B1	0.967.064	EV2 220-240 V – 50 Hz solenoid and screws	5	B4	0.967.079	EV2 220 – 60 Hz solenoid and screws	20
B2	0.967.065	EV2 24V – 50 Hz solenoid and screws	5	C	0.994.014	Thermocouple insulating plate connection	100

## ACCESSORIES

N.	Code	Description	Q.ty	N.	Code	Description	Q.ty
1	0.073.953	Piezoelectric ignition switch with nut	5	10	0.953.304	M4x25 screw for piezo support	100
2	0.900.195	Pressure regulator spring 20-50 mbar	10	11a	0.954.034	P.R. plug for L.P.G. use	10
3	0.903.094	Cover for EV2 solenoid including screw	10	11b	0.954.043	Pressure regulator plug	100
4a	0.906.258	Rp 3/4" elbow flange with O-ring and 4 screws	10	12a	0.958.030	ø 4 mm pilot tube shear-off	10
4b	0.906.260	Rp 1/2" elbow flange with O-ring and 4 screws	10	12b	0.958.031	ø 6 mm pilot tube shear-off	10
4c	0.906.264	1/2" elbow flange	100	12c	0.958.032	ø 1/4" pilot tube shear-off	10
5a	0.906.259	Rp 3/4" straight flange with O-ring and 4 screws	10	13a	0.958.057	N.G. vent connection	100
5b	0.906.269	Rp 1/2" straight flange	100	13b	0.958.058	L.P.G. vent connection (where expected)	100
5c	0.906.261	Rp 1/2" straight flange with O-ring and 4 screws	10	14a	0.960.0.15	EV2 plug and lead L = 1,000 mm	10
6	0.907.037	Pressure regulator exclusor	10	14b	0.960.019	EV2 plug L = 1,000 mm earth hole larger- no earth cable	20
7	0.925.054	O-ring for flange	10	16	0.978.099	Support for piezo igniter	10
8a	0.927.011	Electric ignition switch without cables	10				
8b	0.927.012	Electric ignition switch with cables (L = 920 mm)	10				
9	0.947.033	Outlet filter	100				

## ACCESSORIES for 820 NOVA mV

N.	Code	Description	Q.ty
18	0.190.603	Pilot burner	10
19a	0.940.001	Millivoltage generator L = 480 mm	10
19b	0.940.002	Millivoltage generator L = 580 mm	10

Subject to change without notice