

Drinking water treatment unit

Depura 3000

Standard security filters for 10" cartridges



Water generally used in industrial and domestic water systems contains a certain amount of suspended solid particles of different nature, such as sand, rust and so on. These particles, whose diameter may vary from a few microns to some millimetres, often cause damage and corrosion to water system, taps and household appliances. To sort out the problem it is necessary to install a filter before the system or the equipment to be protected. There are different types of security filters: anti flood filters, manual self cleaning filters and automatic self cleaning filters.

Depura 3000 - Features

Depura 3000 are standard security filters which remove sand and foreign bodies from water. They are used for civil, technical and industrial use. They are made up of three parts with head in brass and housing in SAN plastic material or Trogamid, resistant to high temperatures and pressures. Depura 3000 can house the filter cartridges below:

- Washable net 10"/3 PP 90µm
- Stainless steel washable net 10"/3 90µm
- Flat stainless steel washable net 10"/3 90µm
- Wound cotton 10"/3 PP 20µm

All equipment in contact with drinking water is manufactured with top quality materials, certified for food use.

Depura 3000 - Installation

- Depura 3000 must be installed by qualified staff in a dry place, protected from frost and sun rays.
- During installation, make sure no impacts are caused, as they might damage the housing.
- Use cylindrical fittings to connect the filter to pipes.
- Install the filter vertically.
- Flow direction has to follow the arrows printed on the filter head.
- Do not install the filter in situations which may cause depressions to the water system.
- Always provide a bypass system with valves.
- Check the technical specifications of the filter shown in the chart correspond to the required operating conditions.
- In case of high and/or pulsating mains pressure, it is necessary to install a pressure reducer and a water hammer shock absorber.
- In applications for potable use, once the filter has been installed, it is recommended to carry out a disinfection of the system.
- Housing must be screwed on the filter head through the ring nut.

Depura 3000 - Maintenance

- Clean the filter by washing or replacing the filter cartridge.
- In presence of silt or clay, frequency of washing or replacing of the filter cartridge shall be increased considerably.
- Before disassembling the cartridge to wash or replace it, cut out the filter from the system by closing the stop valves and opening the bypass valve.
- Use common soap and potable, clear and clean water to clean housing and cartridge.

Drinking water treatment unit

Depura 3000

Standard security filters for 10" cartridges

Technical Specifications — Depura 3000 without cartridge

ITEM	DESCRIPTION	CONN.	MATERIAL (head/housing)	DIMENSIONS (l x h)	PN	USE	Water temp.	Ambient temp.
101.150.00	Depura 3000 OT 1 ½"	1 ½" f	brass/SAN	16 x 36 cm	10 bar	tec/pot	5-40 °C	5-50 °C
101.142.00	Depura 3000 OTR 1 ½"	1 ½" f	brass/trogamid	16 x 36 cm	16 bar	tec/pot	5-80 °C	5-50 °C
101.170.00	Depura 3000 OT 2"	2" f	brass/SAN	16 x 36 cm	10 bar	tec/pot	5-40 °C	5-50 °C
101.143.00	Depura 3000 OTR 2"	2" f	brass/trogamid	16 x 36 cm	16 bar	tec/pot	5-80 °C	5-50 °C

Technical Specifications — 10" filter cartridges (compatible)

ITEM	DESCRIPTION	µm	MATERIAL	DIMENS. (l x h)	FLOW RATE (ΔP = 0,2 bar)		USE
					connections		
					1 ½"	2"	
103.011.10	Washable net 10"/3 PP 90µm	90	PP/PA	6 x 25 cm	10,5 m ³ /h	11,5 m ³ /h	tec/pot
103.020.60	Stainless steel washable net 10"/3 90µm	90	STAINLESS STEEL	6 x 25 cm	11,0 m ³ /h	12,0 m ³ /h	tec/pot
103.020.80	Flat stainless steel washable net 10"/3 90µm	90	FLAT ST. STEEL	6,4 x 25 cm	11,0 m ³ /h	12,0 m ³ /h	tec/pot
103.030.65	Wound cotton 10"/3 PP 20µm	20	PP	6 x 25 cm	12,0 m ³ /h	11,0 m ³ /h	tec

Accessories

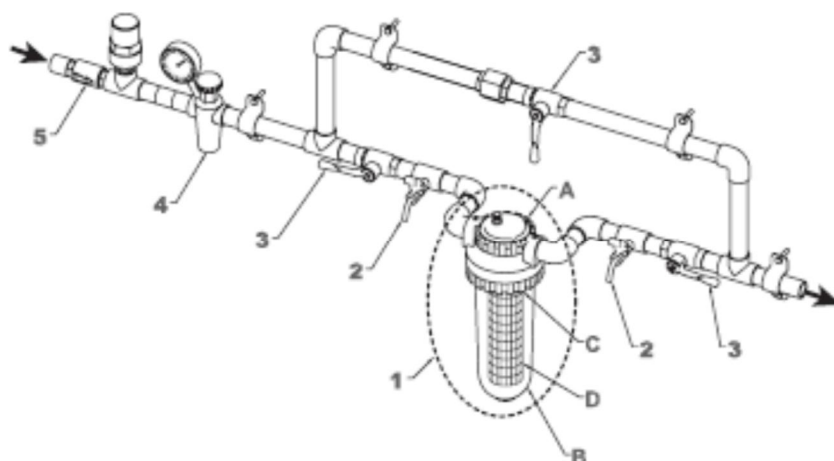
CODE	ITEM
125.210.50	Big wrench

Drinking water treatment unit

Depura 3000

Standard security filters for 10" cartridges

Installation drawing



- 1. Filter
 - A) Head
 - B) Housing
 - C) Ring nut
 - D) Cartridge
- 2. Water sampling valve
- 3. Cut-off/on valve
- 4. Pressure reducer
- 5. Check valve

Description for quotations

Depura 3000 without cartridge. Supply of standard security filter to filter water for potable and technical use. Filter is resistant to corrosion and made up of head, housing and ring nut in food grade materials. Supply consists of:

- Head in brass, housing in SAN or trogamid
- Instruction manual