

425R

FEMALE-FEMALE GAS BALL VALVE SMART GAS SERIES WITH LEVER HANDLE



TECHNICAL SPECIFICATIONS

WORKING TEMPERATURE: $-20^{\circ}\text{C} \div 60^{\circ}\text{C}$ ($-4^{\circ}\text{F} \div 140^{\circ}\text{F}$)

MAX WORKING PRESSURE: MOP5

THREADS: ISO 7-1 / ISO 228

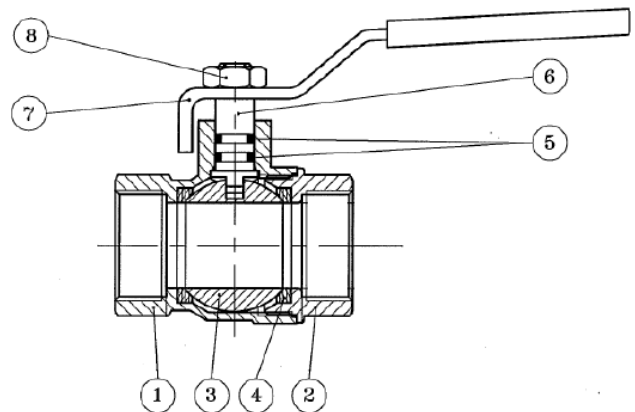
SIZES: FROM 1/2" TO 2"

TO BE USED IN TOTALLY OPEN/CLOSE POSITION



MATERIALS

POS.	DESCRIPTION	N.	MATERIAL
1	BODY	1	BRASS CW617N NICKEL PLATED
2	UNION	1	BRASS CW617N NICKEL PLATED
3	BALL	1	BRASS CW614N CHROMED
4	SEAT	2	PTFE
5	O-RING	2	NBR
6	STEM	1	BRASS CW614N
7	LEVER HANDLE	1	STEEL
8	NUT	1	STEEL



OVERALL DIMENSIONS

ØD	ØDN	L	I	M	H
1/2"	14	56,5	15,5	93	52,5
3/4"	18,5	63,5	16,5	93	57,5
1"	23,5	75	19,5	112	62
1 1/4"	30	84	19,5	122	66
1 1/2"	37	93,5	19,5	143	77
2"	47	108	20	143	81,5

