



Producator: ***Bianchi Italia***

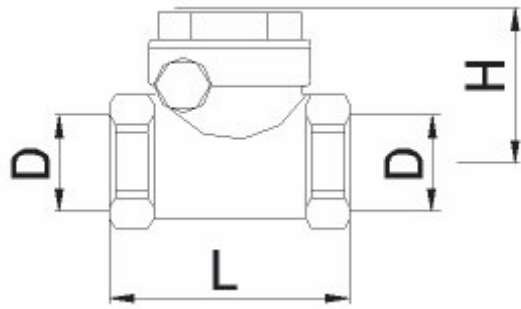
Supapa de sens cu clapet

Model: 439



FISA TEHNICA

Revizia nr. 0 / martie 2010



D	H	L
3/8"	50	43
1/2"	50	44
3/4"	58	53
1"	67	63
1 1/4"	77	72
1 1/2"	88	82
2"	101	95
2 1/2"	130	119
3"	150	133
4"	185	168

Caracteristici tehnice

Corp: alama UNI EN12165CW617M
 O-ring dop hexagonal: NBR
 Garnitura dop inspectie: NBR(fibra fina)
 Placuta: alama UNI EN12165CW617N
 Racorduri filetate: ISO228
 Temperatura de lucru: 0° C ...+90° (+32°F ...+194°F)

Diametru	3/8"	1/2"	3/4"	1"	1 1/4"	1 1/2"	2"	2 1/2"	3"	4"
Presiune Kg/cm ²	12	12	12	12	10	10	10	8	8	8
Presiune psi	170	170	170	170	140	140	140	110	110	110

Colectivul de redactare a cartii tehnice:

Traducere: **Ing. Violeta POPESCU**
 Tehnoredactare: **Ing. Violeta POPESCU**



BUCURESTI - ROMANIA - Sos. Vitan-Barzesti nr. 11A, sector 4; Tel/Fax: 021-332.09.01, 334.94.63;
 Reg. Com. J/40/14205/1994 - Cod fiscal R 5990324 - Cont RO74RNCB5010000000130001 B.C.R.
 Sector 1, BUCURESTI - RO43BACX0000000030565310 HVB sucursala Grigore Mora
 BUCURESTI; Capital Social: 139.400.000.000 ROL (13.940.000 RON)