

WAFER BUTTERFLY VALVE

Type: D71X4

Doc No: DS-902-D71X4-01-E-S

1.0 PRODUCT OVERVIEW

The butterfly valve is simple, compact, 90 ° slewing crane structure regulator valve, can be used for low pressure pipeline.



Dimensions:

2"(DN50)-8"(DN200)

Design Standard:

BS EN 593

Connection Standard:

DIN EN 1092-2

Top Flange Standard:

ISO 5211

Working Pressure:

PN16

Application:

Water Supply

FLANGE:

Sign Off:

Owner: _____ Contractor: _____ Engineer: _____
Location: _____ Date: _____ Approved & Date: _____

Universal Flange to BS EN 1092 PN16,
 AS 2129 TABLE E, JIS B2212 10K, BS 10 TABLE D/E

Surface Treatment:

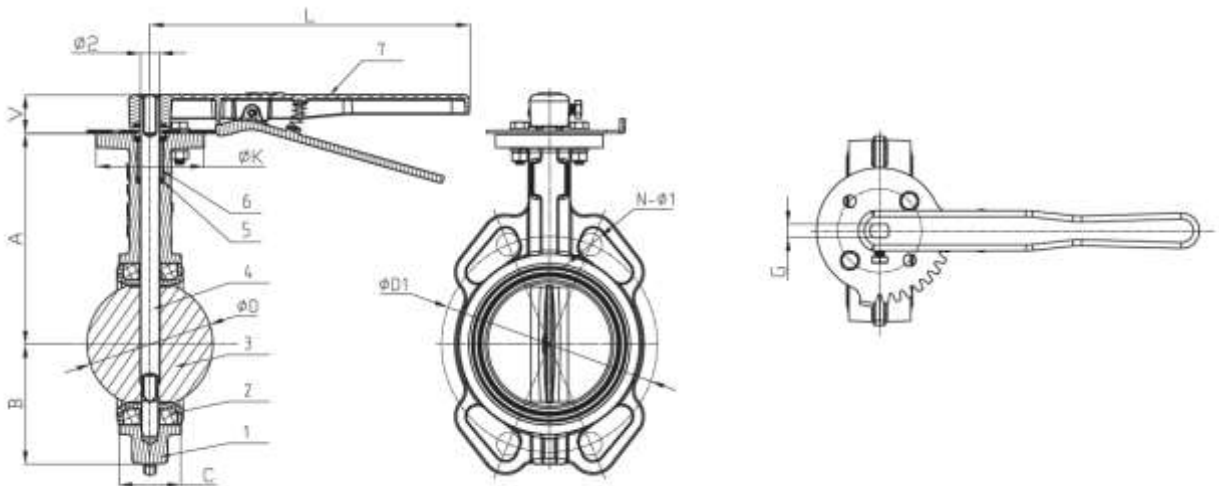
- Epoxy power painting (color numbers RAL5005)

2.0 APPROVALS



3.0 SPECIFICATIONS

Product Sketch:



Part No.	Part	Standard Specification
1	Valve Body	EN-GJS-450-10
2	Seat	DN50~200: EPDM & Backing
3	Disc	EN-GJS-450-10
4	Stem	DN50~200: Stainless Steel, One-Piece Stem Design
5	O-Ring	NBR
6	Bushing	DN50~200: Nylon 1010
7	Lever	EN-GJS-450-10

4.0 DIMENSIONS AND PERFORMANCE

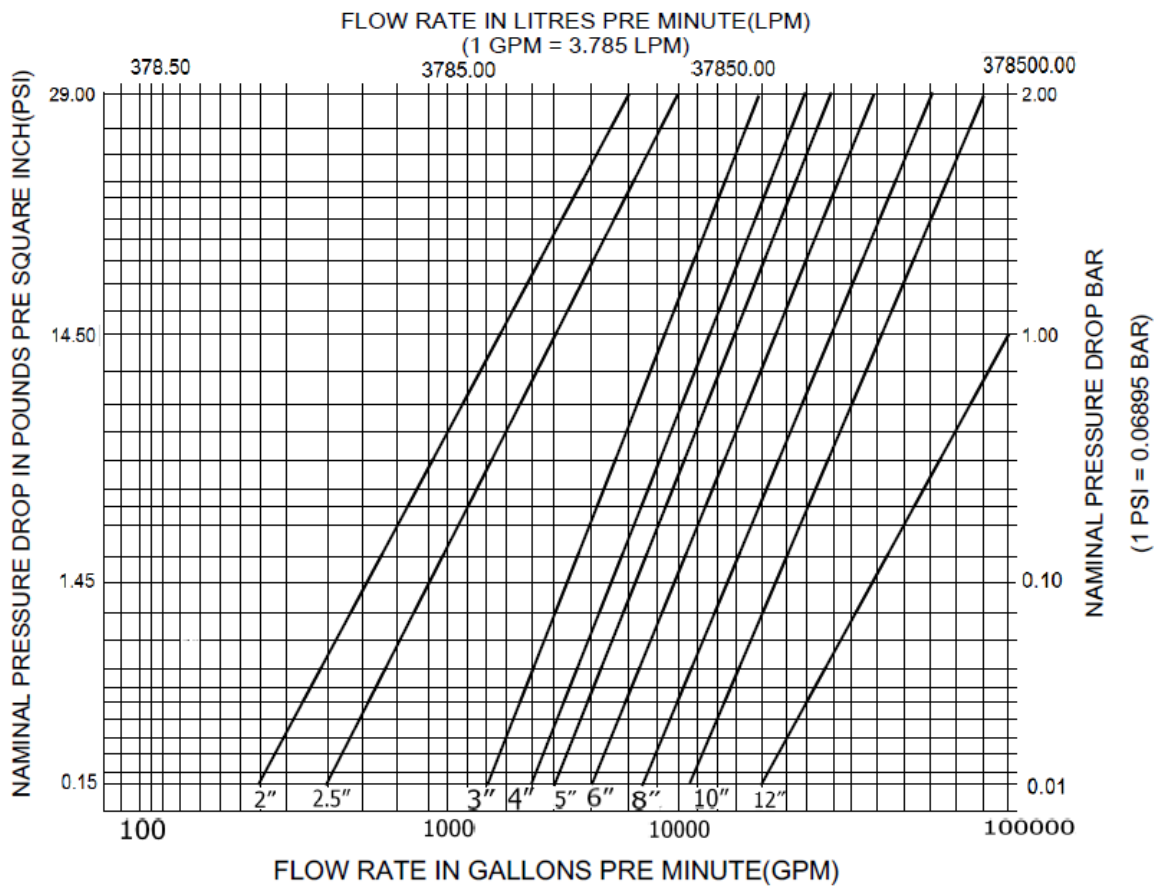
Sign Off:

Owner: _____ Contractor: _____ Engineer: _____
 Location: _____ Date: _____ Approved & Date: _____

4.1 Dimensions

公称通径 DN		尺寸 Dimensions(mm)																
Inch	mm	A	B	V	C	ØD	Ø2	ØK	G	L	ØD1	N-Ø1	ISO 5211	Ø3	H	H1	H2	P
											PN16							
1.5"	40	138	64.5	32	33	43.9	14	90	9.45	267	110	4-Ø19	F07	150	206	158	52	43.5
2"	50	140.5	64.5	32	43	53.9	14	90	9.53	267	125	4-Ø19	F07	150	206	158	52	43.5
2.5"	65	153	72	32	46	65.2	14	90	9.53	267	145	4-Ø19	F07	150	206	158	52	43.5
3"	80	157.5	86	32	46	79.7	14	90	9.53	267	160	8-Ø19	F07	150	206	158	52	43.5
4"	100	176	100	32	52	105	16	90	11.14	267	180	8-Ø19	F07	150	206	158	52	43.5
5"	125	191	112	32	56	130	16	90	11.14	267	210	8-Ø19	F07	150	206	158	52	43.5
6"	150	202.5	128	32	56	156	20	90	12.7	267	240	8-Ø23	F07	150	206	158	52	43.5
8"	200	243.5	162	45	60	206.7	26	125	20.6	356	295	12-Ø23	F10	300	310	239	69	62.5
10"	250	273	194	45	68	253.3	26	125	20.6	490	355	12-Ø28	F10	300	310	239	69	62.5
12"	300	311	223	45	78	301.9	28	125	22.1	490	410	12-Ø28	F10	300	307	229	73	77.5

4.2 Flow rates



4.3 Strenth

Sign Off:

Owner: _____ Contractor: _____ Engineer: _____
Location: _____ Date: _____ Approved & Date: _____



Shell Test: 1.1 times reted working pressure.

Seal Test: 1.5 times reted working pressure.

Cycle Test: 1000 cycles.

5.0 REFERENCE MATERIALS

Approved certification for WAFER BUTTERFLY VALVE

I-JM-Butterfly valve: Installation Instructions for WAFER BUTTERFLY

VALVE

Sign Off:

Owner: _____ Contractor: _____ Engineer: _____
Location: _____ Date: _____ Approved & Date: _____