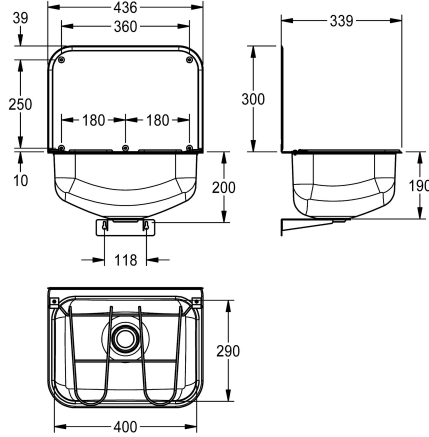


KWC SIRIUS

Utility sink

Modell-Linie: SIRIUS | WB440COP

Utility sinks | Cleaners sinks



KWC-No.

2000100353

Dimensions 436 x 490 x 339 mm (W x H x D)

General purpose sink for wall mounting, stainless steel, surface satin finished, material thickness 0.8 mm, seamless welded bowl with dimensions 436 x 190 x 339 mm, 1 1/2" flat perforated waste, drainage back centric, 436 x 300 mm splash back, includes stainless steel grid with rubber bumps, includes stainless steel

screws, dowels and bracket.

Dimensions 436 x 190 x 339 mm (W x H x D)
Bowl Dimensions 400 x 190 x 290 mm (W x H x D)
Splashback 436 x 300 mm (W x H)

Technical Data

splash back height	300 mm
bowl position	Center
bowl construction	radius coved front and back on
bowl - bowl height	190 mm
bowl finish	satin finished
bowl - depth	290 mm
bowl - width	400 mm
brushes	Without brushes
drainer or storage	no
grid	hinged
grid material	stainless steel
material	stainless steel
material code	1.4301 Chrome Nickel steel V2A
material code grid	1.4301 Chrome Nickel steel V2A
material thickness	0.8 mm
number of waste holes	1
outlet size	DN 40
overall depth	339 mm
overall height	190 mm
overall width	436 mm
overflow	no
rear upstand	yes
wash riffle	no
spillway	no
splash back	yes



KWC SIRIUS

Utility sink

Modell-Linie: SIRIUS | WB440COP

Utility sinks | Cleaners sinks

sump	no
sump basket	no
surface finish	satın finished
tap ledge	no
type of mounting	wall mounting
waste hole position	centre back
waste hole projection	145 mm
waste kit included	yes
waste size	DN 40