

## Drain cock male connection with plug 1/2"

November 21st, 2023

### Drain cock

For Plumbing System & heating system



#### Description

Drain cock male connection with plug 1/2" for plumbing & heating system.

Nickel plated outside and brass color inside. Standard port.

Butterfly handle in blue color.

#### Versions and product codes

Product code	Description	Size	Use	Handle color
W14132N1012	Male connection with plug 1/2"	1/2"	Plumbing systems	Blue

#### Technical data

##### Main features and materials

- Suitable for plumbing & heating systems
- Connections: male threads (ISO228)
- Standard port
- UNI EN 12165 CW617N nickel plated brass valve
- Stem with double O-rings to prevent leakage
- with plug, to ensure work with manifolds perfectly
- Aluminum butterfly handle (blue color for water use),

# JESDY

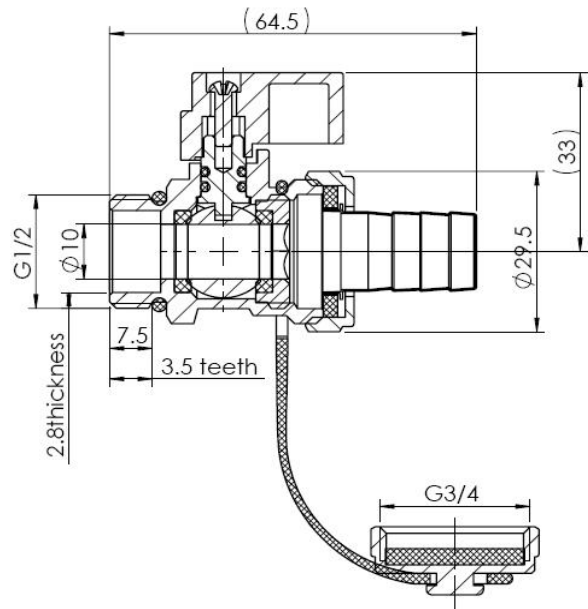
#### Field of application

- Max. working pressure at 20°C with water:  
1.0 Mpa (10 Bar) for 1/2"

- Max. working temperature for water: 90 °C
- Min. working temperature for water: -5 °C
- torque resistance:

Size, DN	10	15	20	25	32	40	50	65	80	100
Max. Torque N.m	35	75	100	125	160	200	250	300	370	465

#### Dimensions:



#### Product Specifications

Drain cock with male connections for plumbing & heating systems.

UNI EN 12165 CW617N nickel plated outside, brass color inside. Standard port.

Aluminum handle with blue color for water plumbing use.

Stem with double O-rings, to prevent leakage.

Max. working pressure at 20°C with water: 1.0 Mpa (10 Bar) for 1/2"

Max. working temperature for water: 90 °C.

Min. working temperature for water: -5 °C