

Fig. Z4514B



Features

- Bolt Bonnet
- Solid wedge disc
- Replaceable O-ring
- Clockwise closing direction
- Seat rings are pressed into wedge and body
- Product color: Blue RAL 5017
- Maximum temperature 120°C

Technical Specification

- Design: DIN 3352
- Face to Face : DIN3202F4
- Flanges: EN 1092-2 PN10
- Hydraulic test to ISO 5208
- Seal Test Pressure: 1.1 bar
- Shell Test Pressure: 1.5 bar

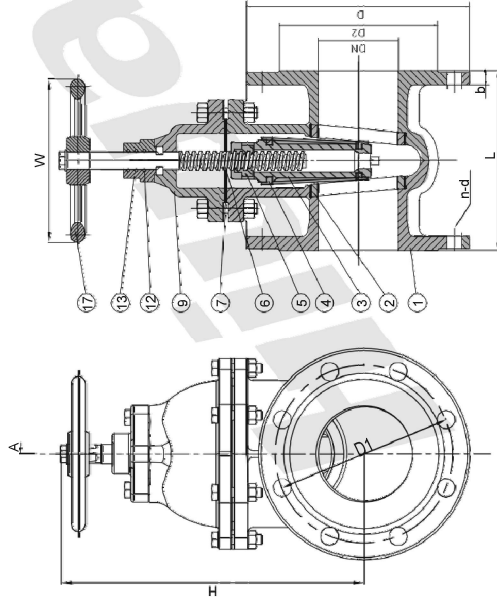
Optional Extras:

- Position Indicator

Artwork on valve body:

DN50	Other Side
PN10	
G.U.L 250	
One Side	Other Side

DIN 3352 F4 Non-Rising Stem Metal Seat Gate Valve Type B



▲ MATERIAL SPECIFICATION

Item	Part Name	Material	Item	Part Name	Material
1	Body	EN-GJL-250	6	Stem	AlSi 420
2	Seat Ring	Brass	7	Bonnet Gasket	Graphite
3	Wedge	EN-GJL-250	9	Bonnet	EN-GJL-250
4	Wedge Ring	Brass	12	Stem Sealing	EPDM O-Ring
5	Wedge Nut	Brass	13	Gland Flange	EN-GJL-250

▲ DIMENSIONS (mm)

Size	L	D	D1	D2	H	n-d	b	W	W.T(kg)
DN40	140	150	110	84	18	4-19	230	130	11
DN50	150	165	125	99	20	4-19	250	130	12
DN65	170	185	145	118	20	4-19	280	130	16
DN80	180	200	160	132	22	8-19	310	150	19
DN100	190	220	180	156	24	8-19	349	185	26
DN125	200	250	210	184	26	8-19	395	185	36
DN150	210	285	240	211	26	8-23	456	195	51
DN200	230	340	295	266	26	8-23	537	225	62
DN250	250	395	350	319	28	12-23	659	245	127
DN300	270	445	400	370	28	12-23	718	285	165
DN350	290	505	460	429	30	16-23	870	400	225
DN400	310	565	515	480	32	16-28	941	400	369.6
DN450	330	615	565	530	32	20-28	1204	640	426.8
DN500	350	670	620	582	34	20-28	1295	640	572
DN600	390	780	725	682	36	20-31	1478	640	809.6

Fig. Z4514C



Features

- Bolt Bonnet
- Solid wedge disc
- Graphite packing
- Clockwise closing direction
- Seat rings are pressed into wedge and body
- Product color: Blue RAL 5017
- Maximum temperature 120 °C

Technical Specification

- Design: DIN 3352
- Face to Face : DIN3202F4
- Flanges: EN 1092-2 PN10
- Hydraulic test to ISO 5208
- Seal Test Pressure: 1.1 bar
- Shell Test Pressure: 1.5 bar

Optional Extras:

- Position Indicator

Artwork on valve body:

DN50	Other Side
PN10	
G.U.L 250	
One Side	Other Side

▲ MATERIAL SPECIFICATION

Item	Part Name	Material	Item	Part Name	Material
1	Body	EN-GJL-250	7	Bonnet Gasket	Graphite
2	Seat Ring	Brass	9	Bonnet	EN-GJL-250
3	Wedge	EN-GJL-250	11	Packing	Graphite
4	Wedge Ring	Brass	13	Stuffing Box	EN-GJL-250
6	Stem	AlSi 420	14	Gland Follower	EN-GJL-250

▲ DIMENSIONS (mm)

Size	L	D	D1	D2	H	n-d	b	W	W.T(kg)
DN40	140	150	110	84	18	4-19	250	130	11
DN50	150	165	125	99	20	4-19	270	130	12
DN65	170	185	145	118	20	4-19	300	130	16
DN80	180	200	160	132	22	8-19	330	150	19
DN100	190	220	180	156	24	8-19	369	185	26
DN125	200	250	210	184	26	8-19	415	185	36
DN150	210	285	240	211	26	8-23	476	195	51
DN200	230	340	295	266	26	8-23	557	225	62
DN250	250	395	350	319	28	12-23	679	245	127
DN300	270	445	400	370	28	12-23	738	285	165
DN350	290	505	460	429	30	16-23	870	400	225
DN400	310	565	515	480	32	16-28	941	400	369.6
DN450	330	615	565	530	32	20-28	1204	640	426.8
DN500	350	670	620	582	34	20-28	1295	640	572
DN600	390	780	725	682	36	20-31	1478	640	809.6