



5812NT

Standard ShatterPro 3 New Technology with "Pattern Recognition Technology"

Reliability

The 5812NT series acoustic glass break sensor combines high false alarm immunity and excellent detection by recognizing the exact frequency pattern generated by glass breaking. Instead of listening for a loud sound at one or two characteristic frequencies, the 5812NT series listens at 30 points across the glass break frequency spectrum. This not only enables it to discriminate common false alarm sources, but also ensures detection of even the quietest of breaks so it can be used with blinds or light curtains. The 5812NT series are recommended for perimeter loops and is designed to function in occupied areas. In 24-hour loop applications, where the detector is armed all day and all night, the false alarm technology will be pushed to its limit. Some sounds can duplicate the points on the glass break pattern that the 5812NT series detects. Install the sensor on a perimeter loop that is armed whenever the door and window contacts are armed. The false alarm immunity is best in rooms with only moderate noise. For 24-hour occupied area protection, use Sentrol shock detectors. The sensor may not consistently detect cracks in glass or bullets that break through the glass. Glass break detectors should always be backed up by interior protection.

Easy to install and test

There are no sensitivity adjustments to worry about and a new test feature means only one trip up the ladder. Simply activate the tester next to the sensor and the unit goes into test mode.

A unique test assures end-users that the unit is powered and ready to detect. The sensor will blink twice, but will not trip when a loud hard clap is made close to the unit.

Pattern Recognition Technology

The 5812NT series detects in a full 360°-coverage pattern with a 7.5 m range from detector to glass. By listening at more than 30 frequency points, the sensor can tell the difference between common false alarm sources and the noise of breaking glass.



Details

- New "EZ" design for quick and easy installation
- Pattern Recognition Technology for superior detection and false alarm immunity
- Suitable for quiet occupied areas on a perimeter loop
- Automatic test and user verification

5812NT

Standard ShatterPro 3 New Technology with "Pattern Recognition Technology"

Especificações técnicas

Geral

Tecnologia	Acústico
Tipos de vidro	Laminado, Placa, Temperado, Fio
Alcance	7.5 m radius - 360°
Saída por relé	NC, open 4 sec on alarm
Switch de tamper	Sim

Com fio / sem fio

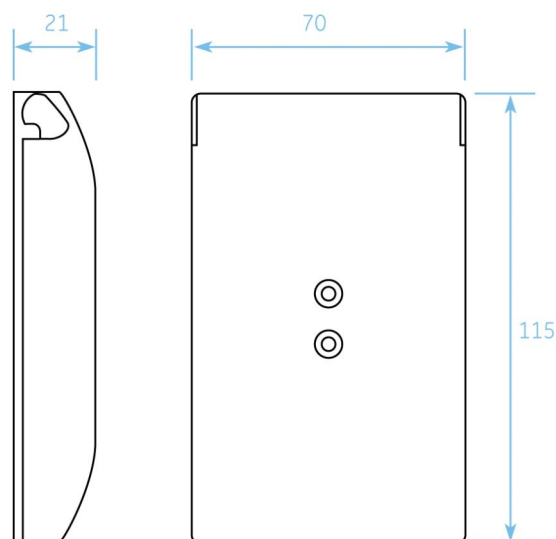
Com fio / sem fio	Fio
-------------------	-----

Elétrica

Valor da fonte de alimentação	9.5 to 16 VDC
Consumo de corrente	15 mA typical - 25 mA max

Físico

Dimensões físicas	115 x 70 x 21 mm (L x W x H)
Cor	Branco
Tipo de montagem	Montagem em superfície



Como empresa de inovação, a Carrier Fire & Security reserva o direito de alterar as especificações do produto sem aviso prévio. Para obter informações sobre as especificações mais recentes do produto, visite pt.firesecurityproducts.com online ou contate o departamento comercial.

Last updated on 6 December 2023 - 11:26