

# Banshee Excel Lite™ CHX/CHL Sounder Beacons

The Banshee Excel Lite™ combines the aesthetics and performance of the Excel Sounder with either a very bright and efficient Xenon Beacon (CHX model) or a low-current LED Beacon (CHL model).

The sounder is fitted with a professional capsule driven horn and comes with 32 user-selectable tones incorporating low frequencies, high frequencies, European, American and Australian norms and all industry-standard frequency patterns.

Manufactured in flame retardant polymer, the units are available in a choice of base colours and up to 5 different lens colours, making it suitable for a range of fire and security dual notification applications as well as DDA-compliant installations. All models use the push and twist bayonet fitting BansheeMT base.

Tested and approved to EN 54 Part 3, the Banshee Excel Lite™ boasts leading acoustics, aesthetically pleasing design and low power consumption. The units are designed for ease of installation and are complemented by a wide selection of accessories to suit all applications.



Choice of lens colour:



## Features

- Available with either Xenon or LED Beacon with a red or white body
- Choice of lens colours (CHX: Red, Clear, Amber, Blue, Green / CHL: Red, Clear)
- Sounder has 32 user-selectable tones - industry standard compatible
- Very low current consumption
- EN 54-3 tested and fully approved in accordance with CPR
- VdS approved
- Easy to install with side and rear cable entry
- Robust 'two in two out' 2.5 mm<sup>2</sup> terminals
- Choice of three volume levels
- Rated to IP66 or IP45
- Uses same bases as BansheeMT - simple push and twist bayonet
- mounting with locking screw
- Extensive family of accessories for a wide range of applications
- Recyclable

## Specification

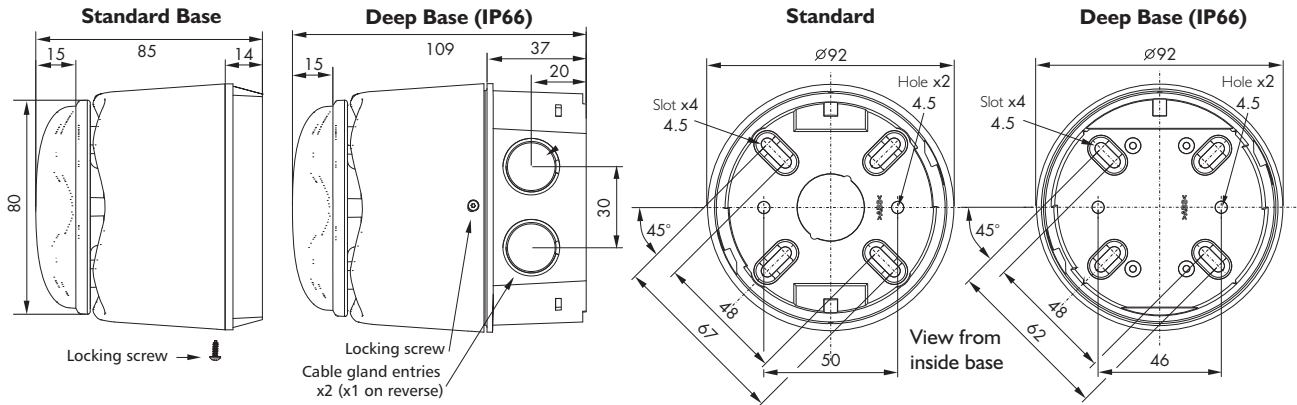
Operating Voltage (Vdc):	9-30
Operating Voltage EN 54-3 (Vdc):	24 (20 -28)
Tone Current Consumption (mA):	See Sound Output Table <sup>#</sup>
Sound Output (dBA Typ @ 1m):	See Sound Output Table <sup>#</sup>
Tones Available:	See Sound Output Table <sup>#</sup>
Flash Current Consumption (mA): <sup>‡</sup>	
- @24 Vdc	40 (CHX), 16 (CHL)
- @12 Vdc	90 (CHX), 12 (CHL)
Light Output Rating (Cd):	TBC
Flash Rate (Per Second):	1
Body Colours:	Red or White
Temperature Range (Deg C):	-15 to +40 (CHX) -20 to +70 (CHL)
Volume Control:	High, Medium (-10 dBA) Low (-20 dBA)
Environment Category / IP Rating:	Type A/IP45 Std Base Type B/IP66 Deep Base

<sup>‡</sup>Flash current consumption is additional to sounder tone current  
All units meet minimum requirements of IP21C Shallow Base and IP33C Deep Base in accordance with EN 54-3

# Installation

## Banshee Excel Lite™ CHX/CHL Sounder Beacon

## Banshee Excel™ Common Base



### # Sound Output Table & Tone Specification

No.	DIL SW 1 2 3 4 5	Description	Frequency and timing	2nd Ton	(12V) dBA	(24V) dBA
1	0 0 0 0	Banshee Buzz LF	800Hz to 950Hz swept at 120Hz	4	94	6
2	1 0 0 0	<b>Banshee Fast Sweep LF*</b>	<b>800Hz to 950Hz swept at 9Hz</b>	4	94	6
3	0 1 0 0	Banshee Slow Sweep LF	800Hz to 950Hz swept at 3Hz	4	94	6
4	1 1 0 0	Banshee Continuous LF	Continuous at 900Hz	4	94	6
5	0 0 1 0	Banshee Fast Sweep LF (New)	830Hz to 970Hz swept at 9Hz	4	93	6
6	1 0 1 0	<b>Medium Sweep LF*</b>	<b>800Hz to 970Hz swept at 1Hz</b>	7	94	6
7	0 1 1 0	Continuous LF	Continuous at 950Hz	7	94	6
8	1 1 1 0	Back Up Alarm LF	Intermittent at 950Hz 1 sec on, 1 sec off	4	93	6
9	0 0 0 1	Alternate LF	Alternating 800Hz/1000Hz at 1Hz	4	94	6
10	1 0 0 1	Medium Sweep LF	800Hz to 1000Hz swept at 0.5 secs	4	94	6
11	0 1 0 1	Alternate LF	Alternating Tones 800/950 at 3Hz	4	94	6
12	1 1 0 1	Banshee Buzz HF	2400Hz to 2900Hz at 120Hz	15	102	16
13	0 0 1 1	Banshee Fast Sweep HF	2400Hz to 2900Hz at 9Hz	15	103	17
14	1 0 1 1	Banshee Slow Sweep HF	2400Hz to 2900Hz at 3Hz	15	103	17
15	0 1 1 1	Banshee Continuous HF	Continuous 2900Hz*	15	103	19
16	1 1 1 1	Banshee Fast Sweep HF (New)	2450Hz to 3100Hz swept at 9Hz	15	103	18
17	0 0 0 1	Back Up Alarm HF	Intermittent at 2900Hz 1 sec on, 1 sec off*	15	103	18
18	1 0 0 1	Alternate HF	Alternating Tones 2400/2900 at 3Hz	15	104	17
19	0 1 0 1	<b>Slow Whoop*</b>	<b>500Hz rising to 1200Hz over 3.5 secs, silence 0.5 sec</b>	4	95	6
20	1 1 0 1	<b>Din Tone (DK)*</b>	<b>1200Hz falling to 500Hz over 1 sec, silence 10mS, repeat</b>	4	93	5
21	0 0 1 1	<b>French Fire Sound*</b>	<b>554Hz for 100mS and 440Hz for 400mS</b>	4	90	4
22	1 0 1 1	Australian Alert Signal	420Hz repeating 0.625 sec on, 0.625 sec off	4	89	3
23	0 1 0 1	Australian Evacuation Signal	500Hz to 1200Hz sweeping, 3.75 secs on, 0.25 secs off	4	95	6
24	1 1 1 1	US Temporal Tone LF	950Hz for 0.5 sec on, 0.5 sec off for 3 phases, silence for 1.5secs and repeat	4	93	5
25	0 0 0 1	US Temporal Tone HF	2900Hz for 0.5 sec on, 0.5 sec off for 3 phases, silence for 1.5secs and repeat	15	103	13
26	1 0 0 1	Swedish Tone (Fire)	Intermittent 660Hz 150mS on, 150mS off	26	90	3
27	0 1 0 1	Swedish Tone (All Clear)	Continuous 660Hz	27	91	5
28	1 1 0 1	ISO8201 LF	Intermittent 970Hz 500mS on, 500mS off	28	90	5
29	0 0 1 1	ISO8201 HF	Intermittent 2900Hz 500mS on, 500mS off*	29	103	13
30	1 0 1 1	BT Banshee (FP1063.1)	Yodul 800Hz/1000Hz, 0.25sec each frequency	31	94	6
31	0 1 1 1	BT Banshee (FP1063.1)	Continuous 1000Hz	31	88	6
32	1 1 1 1	Bell Tone	Bell Tone	32	94	12

Notes: \*Tones highlighted in bold are approved under the Construction Product Directive; Sound output (dBA) and current (mA) values are typical.

### Part Numbers

- (Model-Body Col/Lens Col/ Base)
- 958CHL1000: CHL-Red/Red/Std
  - 958CHL1001: CHL-Red/Red/Deep
  - 958CHL1100: CHL-Red/Clear/Std
  - 958CHL1101: CHL-Red/Clear/Deep
  - 958CHL1500: CHL-White/Red/Std
  - 958CHL1501: CHL-White/Red/Deep
  - 958CHL1600: CHL-White/Clear/Std
  - 958CHL1601: CHL-White/Clear/Deep
  - 958CHX1000: CHX-Red/Red/Std
  - 958CHX1001: CHX-Red/Red/Deep
  - 958CHX1100: CHX-Red/White/Std
  - 958CHX1101: CHX-Red/White/Deep
  - 958CHX1200: CHX-Red/Amber/Std
  - 958CHX1201: CHX-Red/Amber/Deep
  - 958CHX1300: CHX-Red/Blue/Std
  - 958CHX1301: CHX-Red/Blue/Deep
  - 958CHX1400: CHX-Red/Green/Std
  - 958CHX1401: CHX-Red/Green/Deep
  - 958CHX1500: CHX-White/Red/Std
  - 958CHX1501: CHX-White/Red/Deep
  - 958CHX1600: CHX-White/Clear/Std
  - 958CHX1601: CHX-White/Clear/Deep
  - 958CHX1700: CHX-White/Amber/Std
  - 958CHX1701: CHX-White/Amber/Deep
  - 958CHX1800: CHX-White/Blue/Std
  - 958CHX1801: CHX-White/Blue/Deep
  - 958CHX1900: CHX-White/Green/Std
  - 958CHX1901: CHX-White/Green/Deep

### Part Numbers - Spares & Accessories

- 8502700: Mains Pack - 110 Vac/230 Vac input 24 Vdc output
- 8502800: Cable Spacing Ring for Surface Wiring of sounder
- 8502900: Flush Mounting Ring - for Banshee Excel, Excel Lite
- 8503000: Combination bracket - for Sounders and Strobes
- 8503100: External Fixing Clip for Deep Base (avoids drilling base thus retaining IP66 rating)
- BA87331/P: Deep Base - White, complete with 'O' Ring
- BA87341/P: Deep Base - Red, complete with 'O' Ring
- BA87351/P: Deep Base - Grey, complete with 'O' Ring

