

TECHNICAL DATASHEET

BANSHEE EXCEL™ CH SOUNDER



The Banshee Excel™ CH sounder represents the most modern, acoustically advanced and by far the most versatile conventional electronic sounder available on the market today.

The sounder comes with 32 user-selectable tones incorporating low frequencies, high frequencies, European, American and Australian norms and all industry-standard frequency patterns.

Tested and approved to EN 54 Part 3, the Banshee Excel™ CH sounder boasts leading acoustics, aesthetically pleasing design and low power consumption. The unit is designed for ease of installation and is complemented by a wide selection of accessories to suit all applications.

Banshee Excel™ CH is manufactured in flame retardant ABS and is available in three colours, making it suitable for a wide range of alarm and signalling applications. The sounder is fitted with a professional capsule driven horn and uses the push and twist bayonet fitting Banshee^{MT} base compatible with other products in the Banshee Excel™ range.



FEATURES

- 32 user-selectable tones - industry standard compatible
- Very low current consumption
- EN 54-3 tested and fully approved in accordance with CPR
- VdS approved
- Uses same bases as Banshee^{MT} - simple push and twist bayonet mounting with locking screw
- Available in three colours - red, white or grey
- Easy to install with side and rear cable entry
- Robust 'two in two out' 2.5 mm² terminals
- Three selectable volume levels
- Rated to IP 66 or IP 45
- Extensive family of accessories for a wide range of applications
- Recyclable

SPECIFICATION

Operating Voltage (V dc):	9-30
Operating Voltage EN 54-3 (V dc):	24 (20 -28)
Tone Current Consumption (mA):	See Sound Output Table#
Sound Output (dBA Typ @1 m):	See Sound Output Table#
Tones Available:	See Sound Output Table#
Body Colours:	Red, White or Grey
Operating Temperature:	-25°C to +70°C
Volume Control:	High, Medium (-10 d B(A)) Low (-20 d B(A))
Environment Category / IP Rating:	Type A/IP 45 Std Base Type B/IP 66 Deep Base

The unit meets minimum requirements of IP 21C Shallow Base and IP 33C Deep Base in accordance with EN 54-3

APPROVALS



PART NUMBERS - SOUNDER

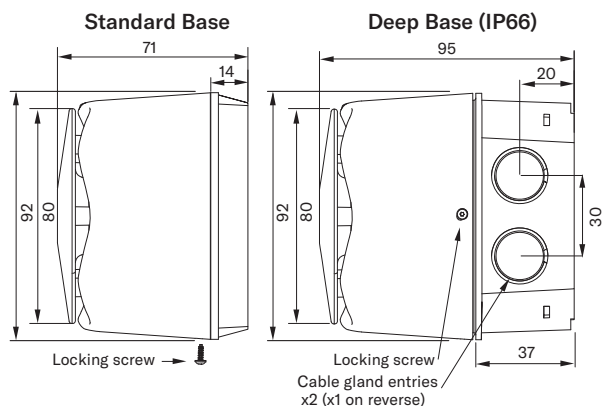
- 902CHA6A0: Banshee Excel CH - Red
- 902CHA4A0: Banshee Excel CH - White
- 902CHA5A0: Banshee Excel CH - Grey
- 903CHA6A0: Banshee Excel CH - Red, Deep Base IP 66
- 903CHA4A0: Banshee Excel CH - White, Deep Base IP 66
- 903CHA5A0: Banshee Excel CH - Grey, Deep Base IP 66

PART NUMBERS - SPARES & ACCESSORIES

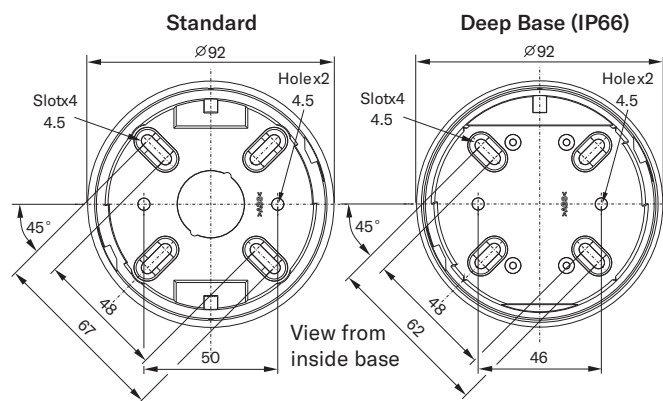
- 8502700: Mains Pack - 110 V ac/230 V ac input 24 V dc output
- 8502800: Cable Spacing Ring for Surface Wiring of sounder
- 8502900: Flush Mounting Ring - for Banshee Excel, Excel Lite
- 8503000: Combination bracket - for Sounders and Strobes
- 8503100: External Fixing Clip for Deep Base
(avoids drilling through base thus retaining IP 66 rating)
- BA87331/P: Deep Base - White, complete with 'O' Ring
- BA87341/P: Deep Base - Red, complete with 'O' Ring
- BA87351/P: Deep Base - Grey, complete with 'O' Ring

INSTALLATION

BANSHEE EXCEL™ CH SOUNDER



BANSHEE EXCEL™ COMMON BASE



Sound Output Table & Tone Specification

No.	DIL SW 1 2 3 4 5	Description	Frequency and timing	2nd Tone	(12V)		(24V)	
					dBA	mA	dBA	mA
1	0 0 0 0 0	Banshee Buzz LF	800Hz to 950Hz swept at 120Hz	4	94	6	101	12
2	1 0 0 0 0	Banshee Fast Sweep LF*	800Hz to 950Hz swept at 9Hz	4	94	6	101	12
3	0 1 0 0 0	Banshee Slow Sweep LF	800Hz to 950Hz swept at 3Hz	4	94	6	101	12
4	1 1 0 0 0	Banshee Continuous LF	Continuous at 900Hz	4	94	6	101	12
5	0 0 1 0 0	Banshee Fast Sweep LF (New)	830Hz to 970Hz swept at 9Hz	4	95	6	101	12
6	1 0 1 0 0	Medium Sweep LF*	800Hz to 970Hz swept at 1Hz	7	96	6	101	12
7	0 1 1 0 0	Continuous LF	Continuous at 950Hz	7	96	6	102	13
8	1 1 1 0 0	Back Up Alarm LF	Intermittent at 950Hz 1 sec on, 1 sec off	4	96	8	102	14
9	0 0 0 1 0	Alternate LF	Alternating 800Hz/1000Hz at 1Hz	4	94	6	100	13
10	1 0 0 1 0	Medium Sweep LF	800Hz to 1000Hz swept at 0.5 secs	4	95	6	101	12
11	0 1 0 1 0	Alternate LF	Alternating Tones 800/950 at 3Hz	4	96	6	101	12
12	1 1 0 1 0	Banshee Buzz HF	2400Hz to 2900Hz at 120Hz	15	102	16	110	35
13	0 0 1 1 0	Banshee Fast Sweep HF	2400Hz to 2900Hz at 9Hz	15	103	17	110	35
14	1 0 1 1 0	Banshee Slow Sweep HF	2400Hz to 2900Hz at 3Hz	15	103	17	110	35
15	0 1 1 1 0	Banshee Continuous HF	Continuous 2900Hz*	15	103	19	110	39
16	1 1 1 1 0	Banshee Fast Sweep HF (New)	2450Hz to 3100Hz swept at 9Hz	15	103	18	110	36
17	0 0 0 0 1	Back Up Alarm HF	Intermittent at 2900Hz 1 sec on, 1 sec off*	15	104	18	110	36
18	1 0 0 0 1	Alternate HF	Alternating Tones 2400/2900 at 3Hz	15	104	16	110	36
19	0 1 0 0 1	Slow Whoop*	500hz rising to 1200hz over 3.5 secs, silence 0.5 sec	4	95	6	101	12
20	1 1 0 0 1	Din Tone (DK)*	1200Hz falling to 500Hz over 1 sec, silence 10mS, repeat	4	93	5	100	10
21	0 0 1 0 1	French Fire Sound*	554Hz for 100mS and 440Hz for 400mS	4	90	4	96	7
22	1 0 1 0 1	Australian Alert Signal	420Hz repeating 0.625 sec on, 0.625 sec off	4	89	3	95	6
23	0 1 1 0 1	Australian Evacuation Signal	500Hz to 1200Hz sweeping, 3.75 secs on, 0.25 secs off	4	95	6	103	12
24	1 1 1 0 1	US Temporal Tone LF	950Hz for 0.5 sec on, 0.5 sec off for 3 phases, silence for 1.5secs and repeat	4	95	5	101	10
25	0 0 0 1 1	US Temporal Tone HF	2900Hz for 0.5 sec on, 0.5 sec off for 3 phases, silence for 1.5secs and repeat	15	104	13	110	26
26	1 0 0 1 1	Swedish Tone (Fire)	Intermittent 660Hz 150mS on, 150mS off	26	90	3	96	6
27	0 1 0 1 1	Swedish Tone (All Clear)	Continuous 660Hz	27	91	5	97	9
28	1 1 0 1 1	ISO8201 LF	Intermittent 970Hz 500mS on, 500mS off	28	93	5	99	10
29	0 0 1 1 1	ISO8201 HF	Intermittent 2900Hz 500mS on, 500mS off*	29	103	13	110	27
30	1 0 1 1 1	BT Banshee (FPI063.1)	Yodel 800Hz/1000Hz, 0.25sec each frequency	31	93	6	100	12
31	0 1 1 1 1	BT Banshee (FPI063.1)	Continuous 1000Hz	31	90	6	96	14
32	1 1 1 1 1	Bell Tone	Bell Tone	32	96	12	101	25

Notes: *Tones highlighted in bold are approved under the Construction Product Directive; Sound output (dBA) and current (mA) values are typical.