

# IS FlashDome - Intrinsically Safe Beacon

The IS FlashDome is an intrinsically safe beacon for use in hazardous areas. Certified to ATEX and IEC Ex, the IS FlashDome is designed for use in Zones 0, 1 & 2.

In order to be intrinsically safe, the IS FlashDome must be powered via an approved 28 V 300 Ω zener barrier or galvanic isolator. Suitable barriers and isolators are available from VimpeX - see below.

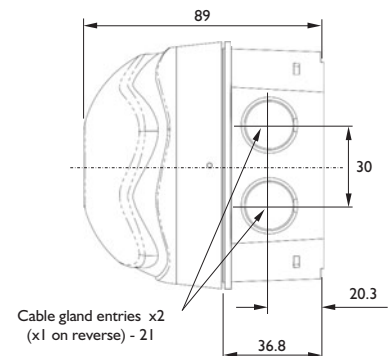
## Specification

Ordering Code:	8645700
Power Supply:	15 - 28 Vdc
Current:	5 mA (@24 Vdc via a 28 V 300Ω barrier)
Flash Frequency:	1 Hz (1 flash/second)
Intrinsic Safety Approval:	EN 60079-0:2004, N60079-26:2004, EN50020:2002* II 1G EEx/Ex ia IIC T4 (-40oC < Ta < +70 oC) II 1G EEx/Ex ia IIC T5 (-40oC < Ta < +40 oC) ITS06ATEX25407X IEC Ex ITS06. 0018X WEEE Compliant
Installation:	Connection must be made via a certified galvanic isolator or zener barrier with output parameters not exceeding $U_i=28V$ , $I_i=93mA$ , $P_i=0.66W$ . The output current of the barrier must be limited by resistor 'R' such that $I_i=U_i/R$
Suitable for Zones:	0, 1, 2
Operating Temperature:	-40 to +70 °C
IP Rating / Material:	IP66 / Body - Flame retardant ABS Lens - Polycarbonate
Weight:	0.14 kg

\* Except in respect of those requirements referred to at item 18 of Intertek certificate no. ITS06ATEX2540X



## Dimensions (mm)

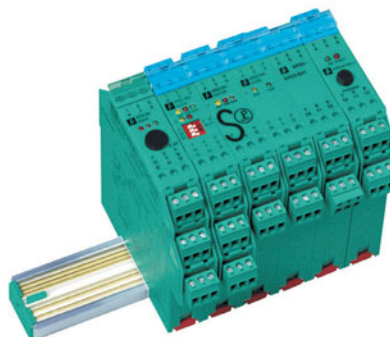


## Barriers & Isolators

DIN rail mounted MTL galvanic isolators and zener barriers for use with the IS FlashDome beacon are available from VimpeX.



**ECO-90-PC**  
 Enclosure for 2 Galvanic Isolators or 3 Zener Barriers.



## Ordering Codes

1 Channel Galvanic Isolator:  
**PF-KFDO-SD2-Ex1.1045**

2 Channel Galvanic Isolator:  
**PF-KFDO-SD2-Ex2.1045**

Zener barrier:  
**PF-Z978**

Note: Galvanic isolators do not allow for reverse-polarity monitoring.