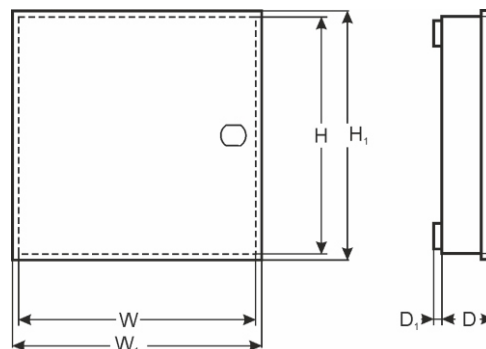


CODE: **AWO000PU v.1.8/III**
 NAME: **7/20/DSPR/PUSTA**



DESTINATION

DSC: PC 1404, 1616, 1832, 1864

MODULES: 2x (4108, 5108, 5208, 5100, 4116)

4204, 4216, 4580, 5400, 5204, 5580, 5200

PARADOX: 728ULT, E55, E65, SP4000, 5500, SP6000

MODULES: ZX8, APR3- HUB2, ZX8SP, APR3- ADM2, PGM4

RISCO: PRO24

MODULES: E04, EZ8, EZ16

SATEL: CA4V1, CA5, CA6, VERSA5,10, INTEGRA24

MODULES: CA64 (PP, EPS, ADR, O-R, O-ROC, O-OC, OPS- OC, OPS- R, OPS- ROC, VGM- 16, SR)

PYRONIX: MATRIX 424, 6

CROW: RUNNER 4,8

TELMOR: TCA-824

SUMMIT: PENTA

ROEL: SIGMA6,12, CERBER

EBS: PX 202A

TECHNICAL DATA

External dimensions of the enclosure: W=250, H=250, D+D1=80+8 [±2 mm]

External dimensions of the front panel: W1=255, H1=255 [±2 mm]

Weight net/gross: 1,35kg / 1,50kg [±0,1kg]

Battery space: 7Ah/12V Sealed Lead Acid (SLA)

Transformer: without transformer - can be mounted in the casing: TRP20, TRP40, TRZ20, TRZ40, EI20, EI40

Material description: sheet steel DC01, thickness: 0,7mm, protection anticorrosion, color: RAL 9003

Destination: indoor

Tamper protection: 1 x microswitch: opening, 0,5A@50V/DC max. NC

Closing: screwed x 4

Notes: optional: lockable, distance from wall (mounting surface) - 8mm, easy door removal

Declaration, warranty: CE, 2 year from the production date