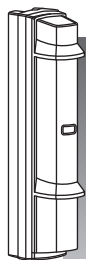




INSTALLATION INSTRUCTIONS



Smart Line series OPTION

BATTERY COMMON USE UNIT **BCU-5**

-Share power source and low battery signals between the main unit and the wireless transmitter.

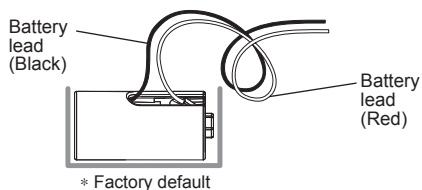
PARTS IDENTIFICATION PCB x 1, Dummy battery x 2, Power cable x 1

Caution Do not connect the dummy battery units in series.

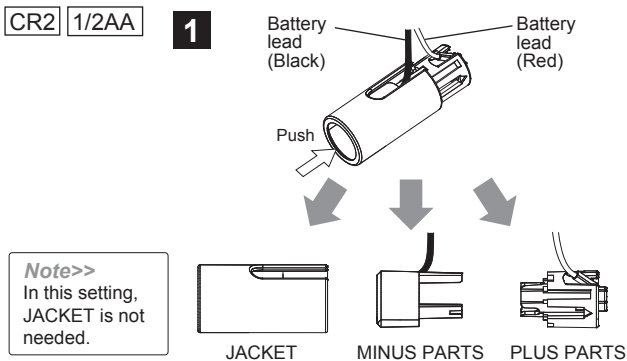
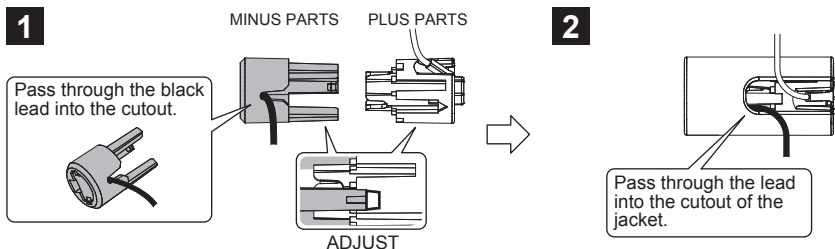
PREPARATION

Dummy Battery unit

CR123A For CR123A, use the unit as the factory default setting.



• Once disassembled, see the steps below to reassemble the unit.



Note>>
In this setting, JACKET is not needed.

Warning

- Do not touch the ends of the red and black wires to avoid short-circuit.
- Do not pull the wire when taking out the parts from the jacket.

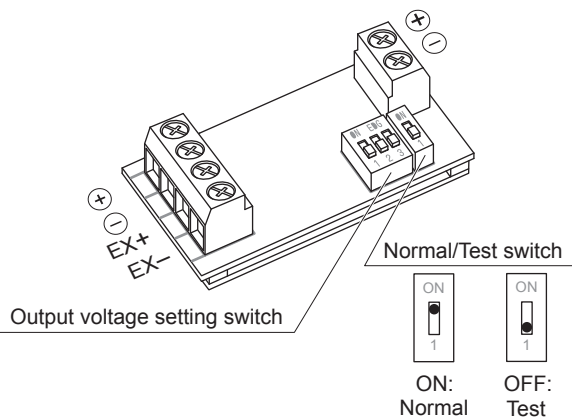
SETTING

1 Refer to the following chart and set the output voltage setting switch to match the power source voltage and low battery output voltage.

If the low battery output voltage is known, set the DIP switch accordingly.

If the low battery output voltage is not informed, firstly set as L-1(2.3V) for its operating voltage 3.0V or H-1(2.6V) for 3.6V.

2 Wire the detector, the wireless transmitter and BCU-5.



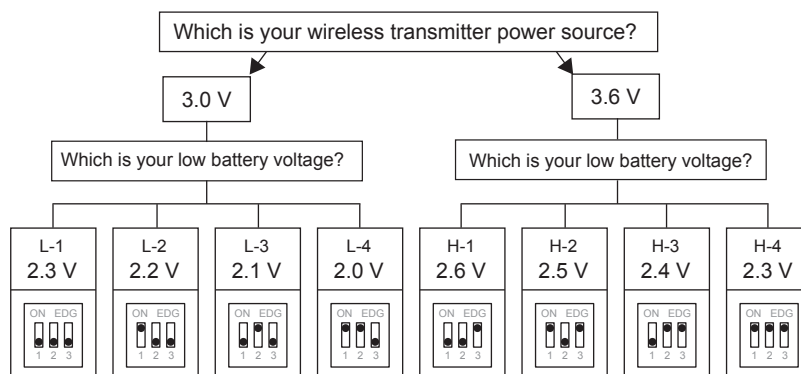
Note>>

- It may take time for some wireless transmitters to output the signal.

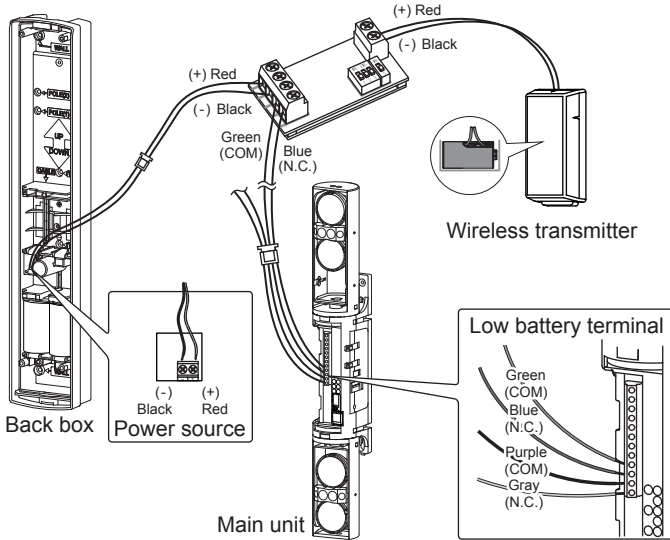
3 Set the battery to the detector, and confirm the low battery signal is not generated.

4 Change position of "Normal/Test switch" to "Test" from "Normal". And, confirm the low battery signal is generated from the wireless transmitter. If the low battery signal is not generated, set one lower voltage with "Output voltage setting switch" step by step, e.g. L-1(2.3V) to L-2(2.2V) or H1(2.6V) to H2(2.5V), then L-2(2.2V) to L-3(2.1V) or H-2(2.5V) to H-3(2.4)

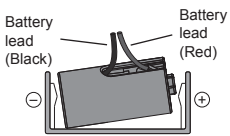
5 When low battery signal is generated, it is the low battery output voltage. Remove the battery, and put the "Normal/Test switch" position to "Normal" from "Test".



WIRING



Place the dummy battery in the power supply case of the wireless transmitter.



Note>>

- When the dummy battery assemble, do not connect battery leads to power source.
- Make sure that the device is not energized when combining units.

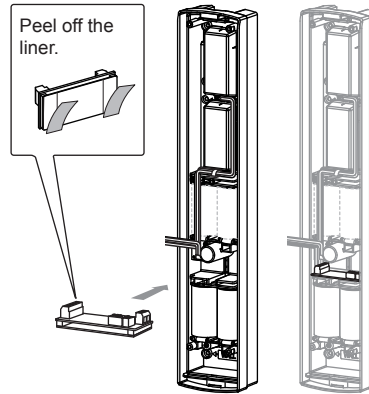
⚠ Caution

Do not pull the wire when taking out the dummy battery from the wireless transmitter.

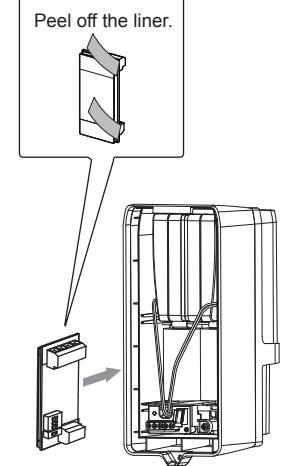
MOUNTING

Mount the PCB to the back box with double-faced tape.

SL-350QFR/QNR



AX-100TFR/200TFR

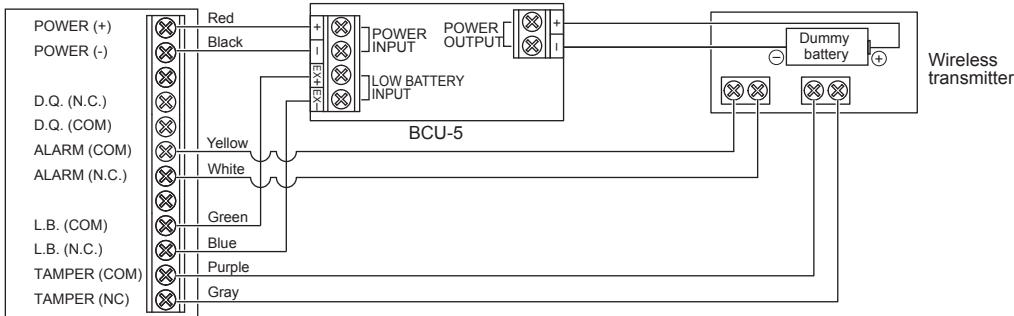


Note>>

- Wiring and mounting procedures for other Optex photoelectric detectors, refer to the instructions for each detector.

SYSTEM DIAGRAM

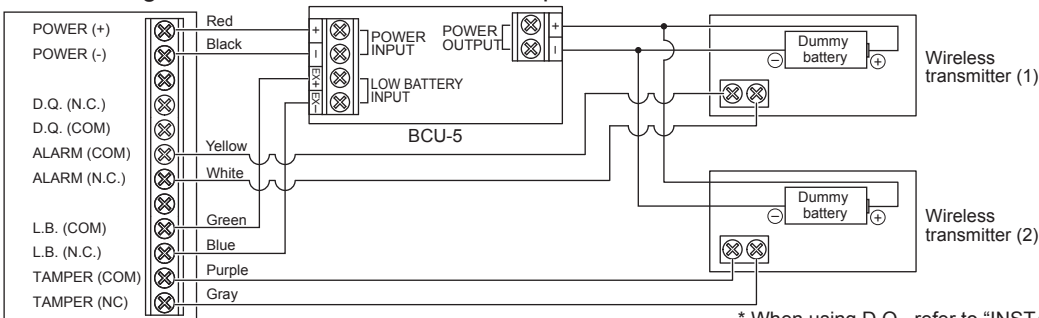
< When using 1 wireless transmitter/ N.C. output >



⚠ Caution

- Be sure to place the dummy battery in the power supply case of the wireless transmitter. Use of the battery included with the wireless transmitter will damage the batteries in the detector.

< When using 2 wireless transmitters/ N.C. output >



⚠ Caution

- Do not connect the dummy battery units in series.

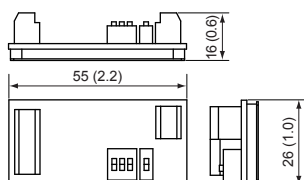


* When using D.Q., refer to "INSTALLATION INSTRUCTIONS" of SL-350.

SPECIFICATIONS

Input voltage	3.2 - 4.0 VDC	
Low battery input (EX+/-)	N.C. input only	
Current draw	Approx. 5 μ A at 3.6 VDC (no load)	
Output voltage	Normal	Approx. 3.0 - 3.6 VDC
	Low battery	Approx. 2.0 - 2.6 VDC
Output current	100 mA (max.)	
Operating temperature	-20°C - +60°C (-4°F - +140°F)	
Operating humidity	95% (max.)	

DIMENSIONS



Unit: mm (inch)



OPTEX CO., LTD. (JAPAN)

URL: <http://www.optex.net>

OPTEX INC. (U.S.)

URL: <http://www.optexamerica.com>

OPTEX DO BRASIL LTDA. (Brazil)

URL: <http://www.optex.net/br/es/sec>

OPTEX (EUROPE) LTD. / EMEA HQ (U.K.)

URL: <http://www.optex-europe.com>

OPTEX TECHNOLOGIES B.V. (The Netherlands)

URL: <http://www.optex.eu>

OPTEX SECURITY SAS (France)

URL: <http://www.optex-security.com>

OPTEX SECURITY Sp.z o.o. (Poland)

URL: <http://www.optex.com.pl>

OPTEX PINNACLE INDIA, PVT., LTD. (India)

URL: <http://www.optex.net/in/en/sec>

OPTEX KOREA CO.,LTD. (Korea)

URL: <http://www.optexkorea.com>

OPTEX (DONGGUAN) CO.,LTD. SHANGHAI OFFICE (China)

URL: <http://www.optexchina.com>