

Datasheet

NANOPB - Mini Proximity Reader

Product Description

The NANO from CDVI is a mini and compact proximity card reader.

As with the other readers from the range (STAR, SOLAR and SOLARK), the NANO gives an anytime status of the door through multi-colored LED's.

These access control readers have a high performance read range and are easy to mount.



Key Features

- Award winning innovative design
- Reads CDVI cards only
- PCB Sealed in epoxy
- Audible and visual feedback
- Multicolored LED



Certification



Certification



DEEE



Certification



IP53



-13°F to 158°F
(-25°C to 70°C)

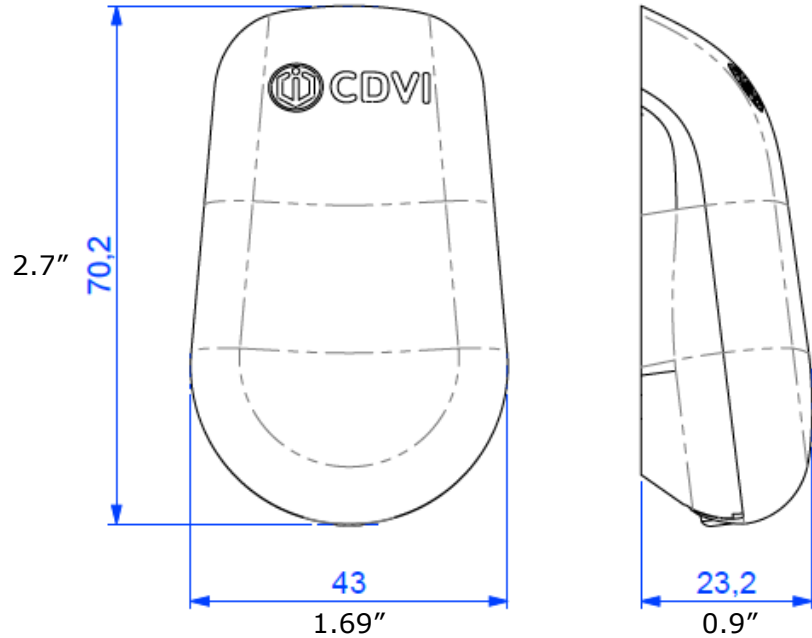
All the information contained within this document (pictures, drawings, features, dimensions, specifications), could be perceptibly different and can be changed without prior notice. Published: 07 August 2023. CDVI_NANOPB_DS_01_EN-FR_LETTER_C

Product Specifications

Material:	Polycarbonate
Mounting:	Surface
Technology:	125 kHz
Security level:	Standard
Protocol:	26, 30 or 44 bits
Read range:	Up to 2" (5 cm)
Weight:	1.4 oz, 40 g

Electrical Specifications

Power input:	12 VDC
Consumption:	100 mA



Accessories



ISO25

Printable ISO Card



CS25

Clamshell Card



BTAG25

Blue Proximity Key Tag

All the information contained within this document (pictures, drawings, features, dimensions, specifications), could be perceptibly different and can be changed without prior notice. Published: 07 August 2023. CDVI_NANOPB_DS_01_EN-FR_LETTER_C