



Signaline WIB Water Interposing Box

The Signaline WIB Water Interposing Box provides a convenient means of interfacing the Signaline WDM-KM Control Module with a Signaline Water Control Panel. One Signaline WIB Water Interposing Box is required per zone. The Signaline Water Panel is available with up to 4 zones. It is supplied with appropriately sized cable glands, terminal block and a 680 ohm resistor.

It is also a quick and efficient method to interface the 6 core data cable from the Signaline WDM-KM Control Module with building management systems, Apollo XP95 or Hochiki ESP protocol addressable systems.

Compatible Apollo XP95 & Hochiki ESP monitoring devices:

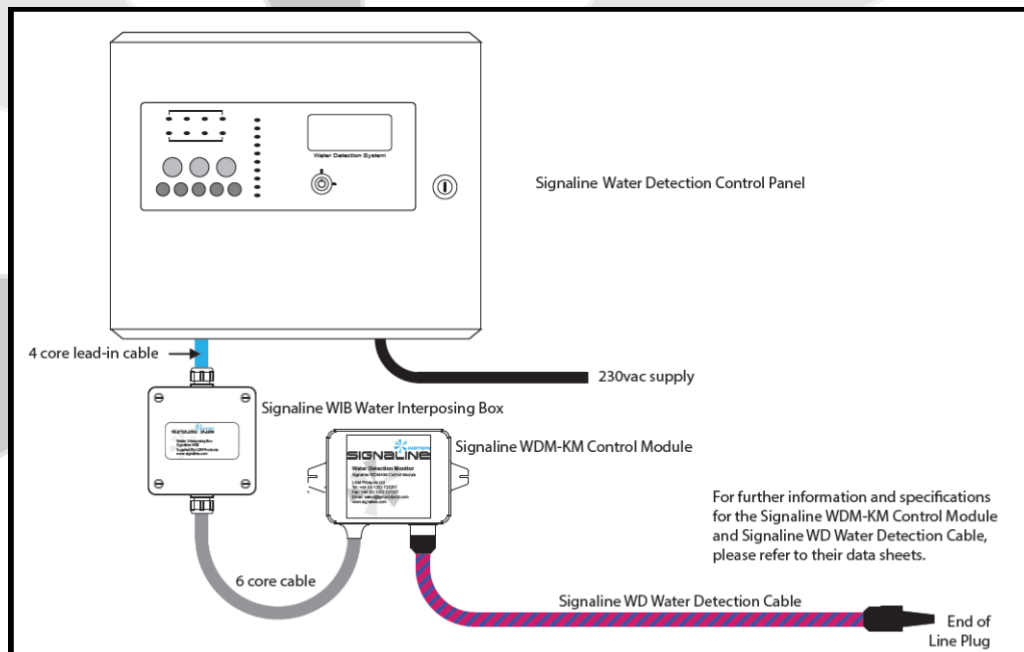
Apollo zone monitoring unit p/n 55000 845 APO

Hochiki single input module p/n CHQ-SIM



IP Rating	66
Dimensions (excluding cable glands)	94 x 94 x 57 mm
Material	Impact & flame resistant polycarbonate
Lid Seals	Non ageing polyurethane
Colour options	RAL 7035 Grey
Chemical resistance	Resistant to most acids, alkalis and oils
Operating Temp	-35°C to 120°C

Typical System Configuration

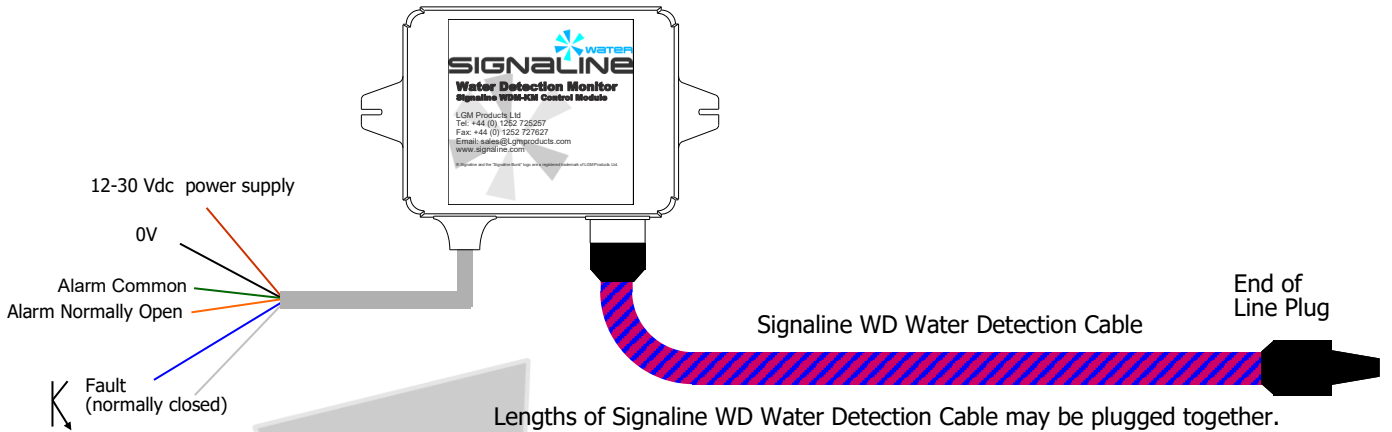


**LGM PRODUCTS LTD
UNIT 15 RIVERSIDE INDUSTRIAL PARK
FARNHAM
SURREY GU9 7UG
UNITED KINGDOM**

**TEL +44 (0) 1252 725257
FAX +44 (0) 1252 727627
E-mail sales@Lgmproducts.com
www.signaline.com**

Signaline WIB Water Interposing Box

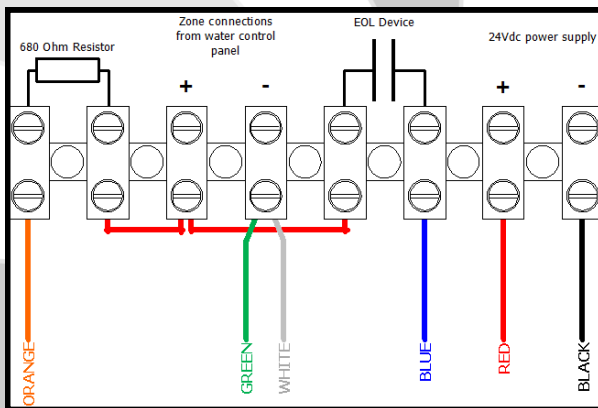
Signaline WDM-KM Control Module



Lengths of Signaline WD Water Detection Cable may be plugged together.

A 10 metre pre-terminated non-sensing leader cable is available to connect the control monitor to the start of the sensor cable.

WIB Water Interface Box terminal wiring Signaline WDM-KM Control Module to Signaline Water Control panel



6 core data cable from Signaline WDM-KM
Water Control Monitor

Signaline WIB connections

- Orange and Green Water detected alarm. Non-latching alarm. Normally open volt free contact rated 1A @ 30Vdc (resistive load)
- White -ve opto-isolated volt free fault contact
- Blue +ve opto-isolated volt free fault contact
- Fault contact is Normally Closed opto-isolated output (opening on power loss or open circuit of detection cable). Contact rated 20mA @ 48Vdc (resistive load)*
- Red 12 to 30Vdc power supply
- Black 0Vdc supply

Important Note: The fault output circuit is not current limited. Exceeding the specified current limit on the fault output will damage the fault output circuit beyond repair.