

Falcon M14 - M20



Gearmotor body in aluminium painted with polyester powders and protective housing in ABS

Magnetic limit switch entirely protected

GEARMOTOR FOR SLIDING GATES

- Available version: 230V for gates up to 1400 - 2000 Kg
- Optional Encoder installation for obstacle detection
- Sturdy inner kinematic mechanism made of a bronze crown and steel worm-screw
- Magnetic Limit Switches
- Electronic Control Board with Transparent plastic Enclosure and external programming buttons
- Rotating Panel for easier programming
- Gearmotor body painted with polyester powder.
- User friendly release system protected by personalized key.

Code	Name	Version	Voltage	Leaf Weight	Use
6110002	Falcon M14 C	Non-reversible - integrated Sprint 382	230V	1400 kg	Industrial
6110022	Falcon M20 C	Non-reversible - integrated Sprint 382	230V	2000 kg	Industrial

OPERATOR DIMENSIONS

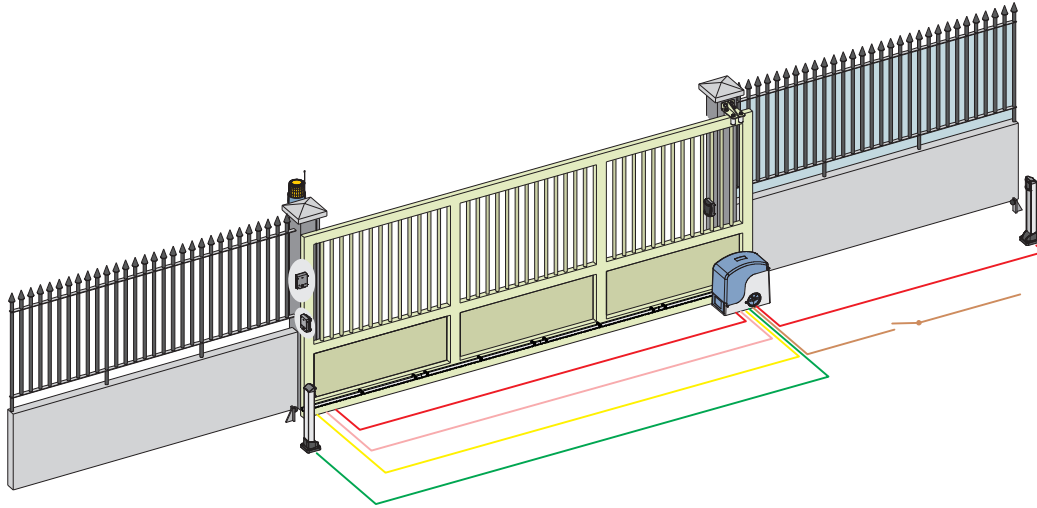


Technical Specifications	Falcon M14	Falcon M20
Power supply (V)	230	
Electric motor (V)	230	
Nominal power (W)	650	800
Current (A)	2.80	3.5
Thermal Protection (°C)	140	
Capacitor (µF)	16	20
Max. torque (Nm)	35	45
Thrust on pinion (daN)	110	150
Type of pinion gear	Z16 mod. 4	
Angular speed (m./min.)	10	
Frequency of use at 20 °C	S3 - 40%	
Operating ambient temperature (°C)	-20 +55	
Protection class	IP44	
Weight (kg)	14	15

CONTROL BOARDS

Sprint 382

Page 65



- Line3x1,5 mm²
- Flashing lamp2x1,5 mm²
- Selector2x0,5 mm²
- TX photocells2x0,5 mm²
- RX photocells4x0,5 mm²

TYPICAL INSTALLATION EXAMPLE

Q.ty	Material description	Part number
1	FALCON M14C Gearmotor with incorporated control board and foundation plate	6110002
4 m	Galvanised Rack 30x12	JA146
4	Spacers and weld-on fastening screws	JA147
1	5-PIN one-channel receiver 868 MHz	6100352
1	Four-Channel Transmitter KILO TX2 JLC	6100332
1	230V GUARD Flashing Lamp	6100052
1	VEGA Photocells	6100147
1	QUICK 1 key-operated selector for outdoor use	JA31101-15
TOTAL (VAT EXCLUDED)		

Material to add in order to get the configuration as per Wiring Diagram

Q.ty	Description	Part number
1	Pair of ORION photocells	JA310
2	Column for photocell	JA325
2	Foundation plate for column	JA328

ACCESSORIES



RACK
1 m. in galvanised iron 30 x 12 mm¹.

Code **JA146**



SPACERS
Kit of 3 spacers and M8x30 weld-on fastening screws for 1 meters of iron rack²

Code **JA147**



SPACERS
Kit of 3 spacers and M8x50 screw-on fastening screws for 1 meters of iron rack²

Code **JA148**



ENCODER
Grants a more precise motor control and enables a reactive reverse on obstacle

Code **6100013**

1 - 6 m package.
2 - 6 kits package.