



KSI5002000.301 - white
KSI5002000.302 - gray
KSI5002000.304 - brown



Description and functionalities

The nanus poli is a small and discreet wireless magnetic contact that is part of Ksenia's 868 MHz bidirectional system.

With its exclusive design, characteristic of all Ksenia Security products, nanus poli stands out for its compact size, centered around the battery volume, allowing for quick and discreet installation in any type of environment.

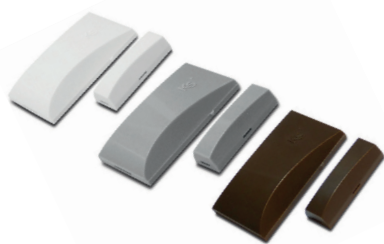
Designed to be easy and intuitive, nanus poli includes several smart features: such as transmission power control, continuous battery level monitoring (with a notification when it's time for replacement), and anti-opening protection. It's also possible to set device supervision by choosing the most suitable time interval, from 1 minute up to 4 hours.

To best adapt to the aesthetics of any space, nanus poli is available in three colors: white, brown, and gray.

Installation is simple: just attach the transmitter to the fixed part of the frame and the magnet to the movable part of the door or window, ensuring the distance between the two components does not exceed 10 mm. The included mounting adhesive makes the process even faster.

Why nanus poli

- because it is almost the smallest magnetic contact in the market
- because it includes the most advanced Wireless Technology, 868 MHz, completely bi-directional, professional and reliable.
- because it integrates the DPMS Technology (Dynamic Power Management System) which allows less interferences and extends the battery life.
- because in case of MULTI-RECEIVER system it is able to automatically choose the best radio path.
- because it integrates a solid-state Reed sensor and not a mechanically more fragile glass component.
- because it has a unique aesthetic - minimalist and discreet different from the rest, being the result of many accurate studies and shapes developed around the battery volume.
- because in addition to the white and brown it is available also in gray for installations on stainless steel and aluminium frames.



PARTS INCLUDED

- 1 nanus poli magnetic contact
- 1 CR-2032 Battery
- 1 Installation Manual

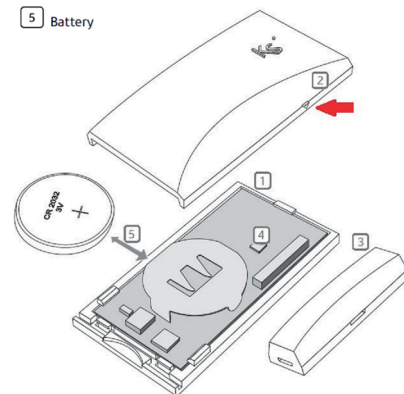
ACCESSORIES

- KSI7203002.000 - Button battery CR2032 (200 pcs per pack)

COMPLIANCE
• Europe - CE, RoHS



- Legend
- 1 Transmitter (inside)
 - 2 Cover + Indicator
 - 3 Magnet
 - 4 REED switch
 - 5 Battery



Technical characteristics

- Power: 1 Lithium Battery Type CR2032 included for a maximum duration time up to 2 years
- Operative Frequency: 868 MHz Band
- Range in open air: up to 300 m.
- Tamper - Opening Tamper
- Operative Temperature Range: +5 °C to +40 °C
- Contact Dimensions: 30 x 90 x 30 mm (HxWxD)
- Magnet Dimensions: 15 x 34 x 14 mm (HxWxD)

Quantity data

lares 4.0 models	wls 96	16	40	40 wls	140 wls	644 wls
Maximum number of WLS sensors	32	16	40	40	64	64