



Load-bearing structure in cathoporesis treated steel painted with polyester powders

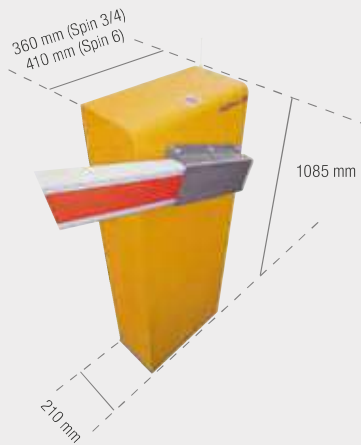
AUTOMATIC BARRIER FOR MOTOR VEHICLES

- Integrated control board with separate opening and closing inputs.
- Electrical and mechanical limit-switches supplied standard.
- Version 230V is supplied with the Encoder to ensure reversing of movement on detection of an obstacle.
- Rapidly transforms from right-hand to left-hand version.

Code	Name	Version	Voltage	Max. beam length
6130027	SPIN 4C ENC	Non-reversible with encoder and integrated Lynx 06	230V	5 m.*
6130028	SPIN 6C ENC	Non-reversible, Slow with encoder and integrated Lynx 06	230V	7 m.*

*No type of accessory can be fitted on the beams installed on Spin 3 models. The articulated kit cannot be installed on beams of over 4 meters installed on Spin 4 models. No type of accessory can be fitted on beams of over 6 meters installed on Spin 6 models.

OPERATOR DIMENSIONS



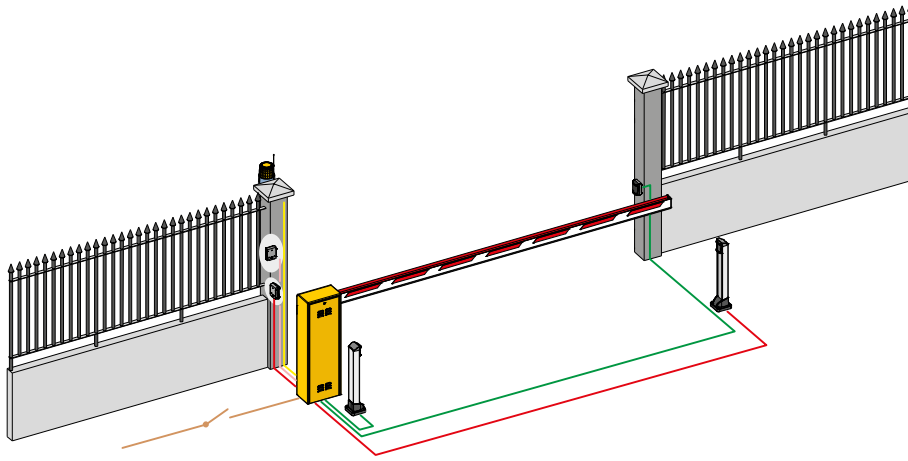
Technical Specifications	Spin 4 ENC	Spin 6 ENC
Power supply (V)		230
Electric motor (V)		230
Power (W)	250	380
Current (A)	1.1	1.7
Heat protection (°C)		140
Thrust capacitor (µF)		12.5
Max. torque (Nm)	100	150
Opening time (sec) ¹	4	8
Frequency of use at 20 °C	S3 - 50%	S3 - 60%
Operating ambient temperature (°C)		-20 +55
Protection class		IP44
Operator weight (Kg)	63	69

CONTROL BOARDS

Lynx 06 Page 69

N.B.

1 - Opening time and number of cycles calculated for correctly executed installations at the dimensions indicated in the installation instructions and without slow-downs.



- Line 3x1,5 mm²
- Flashing lamp 2x1,5 mm²
- Selector 2x0,5 mm²
- TX photocells 2x0,5 mm²
- RX photocells 4x0,5 mm²

TYPICAL INSTALLATION

Q.ty	Material description	Part number
1	SPIN 3C ENC barrier body with incorporated LYNX 06 control board	6130026
1	Foundation plate	58P1800
1	Rectangular beam 3000 mm	58P1802
1	Spring for SPIN 3	58F1812
1	RQFZ 433 MHz frequency module	6100346
1	Four-channels transmitter ECHO TX4 RC	6100334
1	GUARD 230V Flashing lamp	6100052
1	Pair of VEGA photocells	6100147
1	QUICK 1 Key-operated push-button for outdoor use	JA31101-15

Material to add in order to get the configuration as per Wiring Diagram

Q.ty	Material description	Part number
1	Pair of ORION photocells	JA310
1	Pair of columns for photocells	JA325
2	Foundation plate for column	JA328

ACCESSORIES



ADJUSTABLE BEAM SUPPORT KIT

Code **428806**



RELEASE KEY
6 additional release keys

Code **58P2081**



SKIRT KIT
In painted aluminium.
Length 2m.

Code **428441**



FIXED SUPPORT PLATE
For fixed support.

Code **737621**



FOUNDATION PLATE WITH ACCESSORIES

Code **58P1800**



ARTICULATED BEAM
Articulation kit
For Spin 4

Code **58P1810**



Adjustable end foot for beam support

Code **428805**



ENCODER KIT
Matchable with Lynx 06 control board.

Code **6100260**



RADIOFREQUENCY MODULE
RQFZ 3PIN for GENIUS.
433 MHz

Code **6100346**

868 MHz

Code **6100347**



BEAMS FOR SPIN 3 - SPIN 4

Aluminium beam painted with white epoxy powders, complete with retro-reflecting stickers and rubber profile. Dimensions 90 x 25 mm.

Model	Length (m.)	Passage width (m.)	Code
Beam 3 m.*	3	2.66	58P1802
Beam 4 m.	4	3.66	58P1803
Beam 5 m.**	5	4.66	4280305



SPRINGS FOR SPIN 3 - SPIN 4

Beam only (m.)	Articulated beam (m.)	Beam with foot (m.)	Beam with skirt (m.)	Spring thickness (mm.)	Code
2 - 2.7	2 - 2.7			4 - White	58F1811
2.7 - 3.4	2.7 - 3.4	2 - 2.7	2 - 2.7	4.5 - Red	58F1812
3.4 - 4	3.4 - 4	2.7 - 3.4	2.7 - 3.4	5 - Green	58F1813
4 - 4.6		3.4 - 4	3.4 - 4	5.5 - Yellow	58F1814
4.6 - 5		4 - 5	4 - 4.6	6 - Blue	58F1815
			4.6 - 5	6.5 - Grey	6100126



BEAMS FOR SPIN 6

Aluminium beam painted with white epoxy powders, complete with retro-reflecting stickers. Dimensions 100 x 50 mm.

Model	Length (m.)	Passage width (m.)	Code
Beam 5 m.**	5	4.62	428062
Beam 6 m.**	6	5.62	428063
Beam 7 m.**	7	6.62	428064



SPRINGS FOR SPIN 6

Beam only (m.)	Beam with foot (m.)	Beam with skirt (m.)	Round beam (m.)	Round beam in pieces (m.)	Spring thickness (mm.)	Code
4 - 4.8			4.3 - 4.9	4 - 4.6	6 - White	58F1816
4.8 - 5.5	4 - 4.8	4 - 4.8	4.9 - 5.6	4.6 - 5.4	6.5 - Red	58F1817
5.5 - 6.3	4.8 - 5.5	4.8 - 5.5	5.6 - 6.5	5.4 - 6.4	7 - Green	58F1818
6.3 - 7	5.5 - 6	5.5 - 6	6.5 - 7	6.4 - 7	8.5 - Yellow	6100024

* N.B. For the SPIN 3 model, beams with a length of over 3 m cannot be used.

** N.B. For Hold For Pickup shipments of beams of over 4m, please contact the shipping office.