

Basis made of sturdy plastic material which reduces weight and enhances handiness

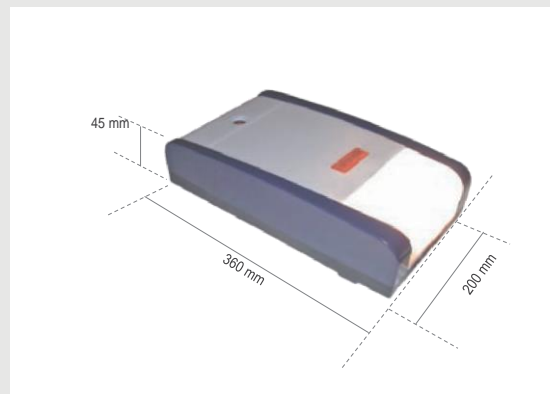
SPRING UP-AND-OVER MOTOR, SECTIONAL AND COUNTERWEIGHTS DOOR OPERATOR

- Available version: 24V with 600N thrust (Zodiac 60) and 1000N (Zodiac 100)
- PATENTED three steps driving rail assembly
- Standard supplied with power cable and plug.
- Arranged for Low-consumption lamps
- Integrated courtesy lamp
- Easy Access to Programming Panel, no need to open the motor lid
- Integrated push-button to control opening.

Code	Name	Version	Voltage	Max. sectional door (bxh)*	Max. up-and-over door (bxh)*
6120041	Zodiac 60	Non-reversible - 600 N thrust - Geo 08 on board	24V	5 X 2.50 m.	3 X 2.50 m.
6120042	Zodiac 100	Non-reversible - 1000 N thrust - Geo 09 on board	24V	5 X 3.10 m.	3 X 3.10 m.

* Maximum height depends on the door geometry. The indicated values refer to traditional configurations.

OPERATOR DIMENSIONS

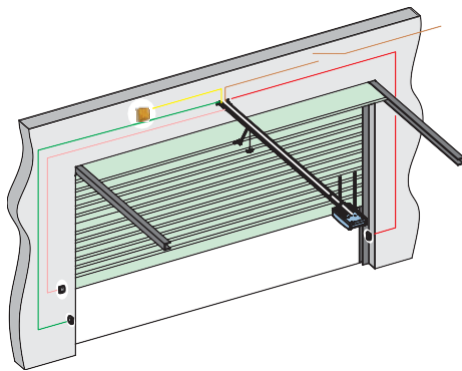


Technical Specifications	Zodiac 60	Zodiac 100
Power supply (V)	230	
Electric motor (V)	24	
Power (W)	220	350
Thrust (daN)	600	600/1000
Max. consecutive cycles	30	
Max. carriage travel (mm.)	1900 - 2500 - 3100	
Carriage speed, load free (m/min.)	6.6	
Frequency of use at 20 °C	80 cycles per day	
Operating ambient temperature (°C)	-20 +55	
Operator weight (Kg)	6.6	
Protection class	IP20	

CONTROL BOARDS

Geo 08
Geo 09

ELECTRIC WIRING DIAGRAM



- Line 3x1,5 mm²
- Flashing lamp.....2x1,5 mm²
- Selector 2x0,5 mm²
- TX photocells 2x0,5 mm²
- RX photocells..... 4x0,5 mm²

TYPICAL INSTALLATION EXAMPLE

Q.ty	Material description	Part number
1	ZODIAC 60 Motor	6120041
1	Single chain rail, travel 1900 m	390120
1	Cable for external release (application on existing handle)	390488
1	RQFZ 868 MHz Frequency Module	6100347
1	Four-Channel Transmitter KILO TX2 JLC	6100332
TOTAL (VAT EXCLUDED)		

Material to add in order to get the configuration as per Wiring Diagram

Q.ty	Material description	Part number
1	QUICK 1 key-operated selector for outdoor use	JA31101-10
1	VEGA Photocells	6100147
1	LEDDY 24V Lamp	6100190

ACCESSORIES



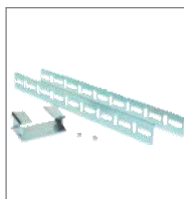
BATTERY KIT
With recharging board.

Code 390923



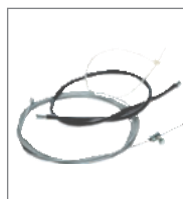
LEDDY
24 Vdc with integrated flashing.

Code 6100190



RAIL CENTRAL SUPPORT
Single rail

Code 390765



EXTERNAL RELEASE
Cable for external release, with application on existing handle for sectional doors.
In pairing with adapter arm for up-and-over doors with counter-weights, use the external release.
Code 58P0398 on page 43

Code 390488



CABLE RELEASE KIT
External release kit with 1.5 m Bowden cable, cable stopper and cylinder with coded key.

Code 6100285



RADIOFREQUENCY MODULE
RQFZ 3PIN for GENIUS.
433 MHz

Code 6100346



ARM FOR SECTIONAL DOORS
Arm for sectional doors.

Code 390768



ADAPTER ARM
For up-and-over doors with counter-weights of max. height 2400 mm.

Code 6100156



CHAIN/BELT RAILS*

Rail type	Description*	Code
G 1900 - 1B	With belt, travel 1900 mm 1 piece	390120
G 2500 - 1B	With belt, travel 2500 mm 1 piece	390126
G 3100 - 1B	With belt, travel 3100 mm 1 piece	390132
G 2500 - 2B	With belt, travel 2500 mm 2 pieces	390226
G 3100 - 2B	With belt, travel 3100 mm 2 pieces	390232



ARM02 KEY-OPERATED SELECTOR WITH LEVER RELEASE

Code 6100340

*N.B. The indicated measures correspond to effective carriage travel. The rail overall dimensions (including motor) are 900 mm over the travel for Zenith and 870 mm over the travel for Zodiac.