

DC101R4.7

Built-on door window sensor with 4k7 EOL resistor

DC101-Series

The DC101-Series surface mount magnetic contacts are designed for use in installations where a small, sealed unit is required. The reed switch is totally encapsulated in an exclusive polyurethane potting compound preventing moisture from entering the switch and causing false alarms.

Easy installation

The 16 mm standard gap distance allows for fast, easy installation and prevents false alarms from loose fitting doors. Recessed mounting holes make for clean-looking installations.

High Quality components and materials

Reed legs are plated with rhodium or ruthenium, and hermetically sealed in dry nitrogen. This offers superior protection against sticking and provides a moisture free environment therefore preventing corrosion.



Dettagli

- Convenient surface mounting
- Standard 2 m wire length
- Tamper loop provided
- Neat and tidy design

DC101R4.7

Built-on door window sensor with 4k7 EOL resistor

Specifiche tecniche

Generale

Tipo di applicazione	Montaggio a superficie
Tipo contatto	Resistenza 4K7
Connettività	4 wires, 2.5 m

Cablato / senza fili

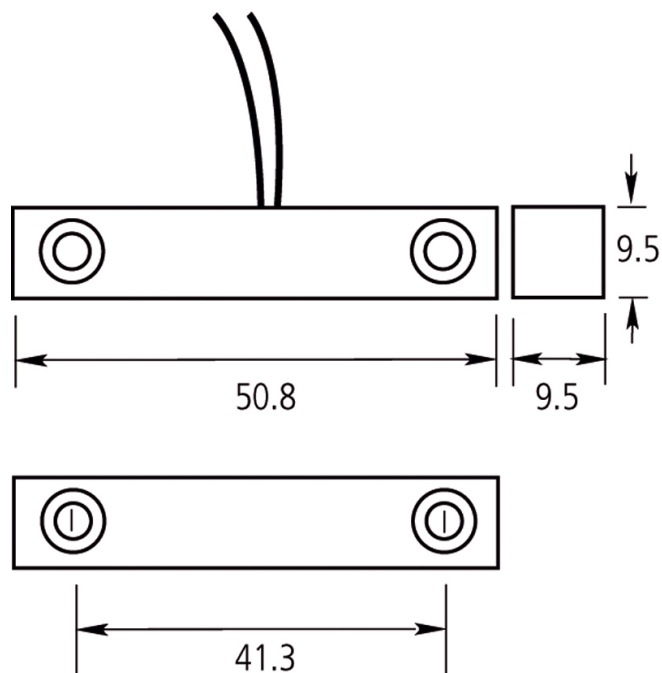
Cablato / senza fili	Cablato
Gap operativo	15 mm

Fisico

Dimensioni fisiche	51 x 9.5 x 9.5 mm
--------------------	-------------------

Regolatorio

Grado EN50131	Grado 2
---------------	---------



In quanto azienda in continua innovazione, Carrier Fire & Security si riserva il diritto di modificare le specifiche del prodotto senza preavviso. Per avere informazioni sempre aggiornate, visita it.firesecurityproducts.com online o contatta il tuo riferimento commerciale.

Last updated on 5 May 2023 - 9:32