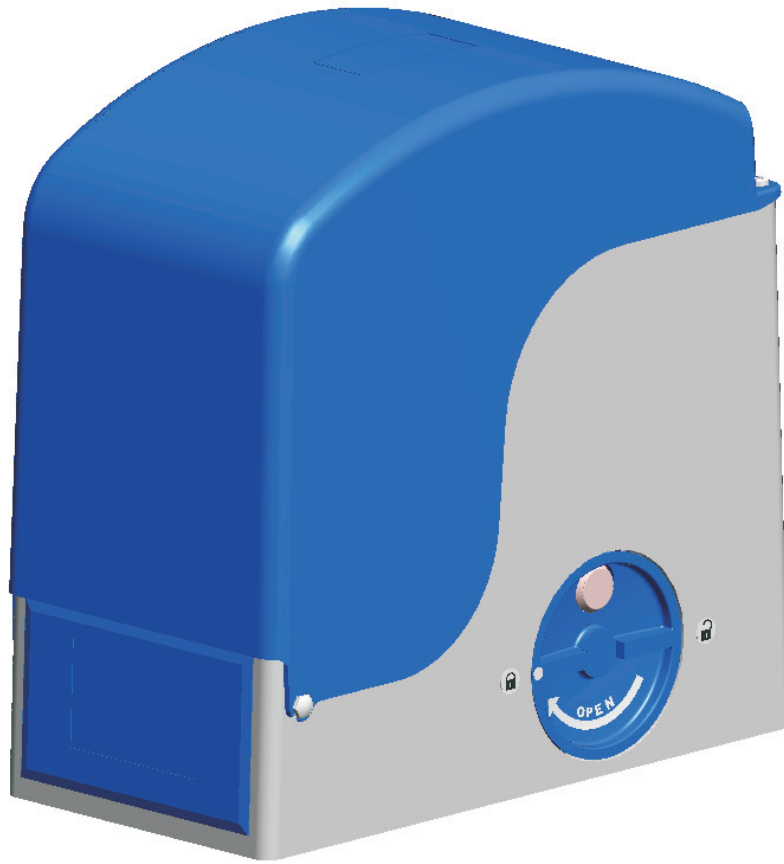


# FALCON M



**GENIUS**<sup>®</sup>

## ITALIANO

### AVVERTENZE PER L'INSTALLATORE

#### OBBLIGHI GENERALI PER LA SICUREZZA



**ATTENZIONE! È importante per la sicurezza delle persone seguire attentamente tutta l'istruzione. Una errata installazione o un errato uso del prodotto può portare a gravi danni alle persone.**

1. Leggere attentamente le istruzioni prima di iniziare l'installazione del prodotto.
2. I materiali dell'imballaggio (plastica, polistirolo, ecc.) non devono essere lasciati alla portata dei bambini in quanto potenziali fonti di pericolo.
3. Conservare le istruzioni per riferimenti futuri.
4. Questo prodotto è stato progettato e costruito esclusivamente per l'utilizzo indicato in questa documentazione. Qualsiasi altro utilizzo non espressamente indicato potrebbe pregiudicare l'integrità del prodotto e/o rappresentare fonte di pericolo.
5. GENIUS declina qualsiasi responsabilità derivata dall'uso improprio o diverso da quello per cui l'automatismo è destinato.
6. Non installare l'apparecchio in atmosfera esplosiva: la presenza di gas o fumi infiammabili costituisce un grave pericolo per la sicurezza.
7. Gli elementi costruttivi meccanici devono essere in accordo con quanto stabilito dalle Norme EN 12604 e EN 12605.
8. Per i Paesi extra-CEE, oltre ai riferimenti normativi nazionali, per ottenere un livello di sicurezza adeguato, devono essere seguite le Norme sopra riportate.
9. GENIUS non è responsabile dell'inosservanza della Buona Tecnica nella costruzione delle chiusure da motorizzare, nonché delle deformazioni che dovessero intervenire nell'utilizzo.
10. L'installazione deve essere effettuata nell'osservanza delle Norme EN 12453 e EN 12445. Il livello di sicurezza dell'automazione deve essere C+D.
11. Prima di effettuare qualsiasi intervento sull'impianto, togliere l'alimentazione elettrica e scollegare le batterie.
12. Prevedere sulla rete di alimentazione dell'automazione un interruttore onnipolare con distanza d'apertura dei contatti uguale o superiore a 3 mm. È consigliabile l'uso di un magnetotermico da 6A con interruzione onnipolare.
13. Verificare che a monte dell'impianto vi sia un interruttore differenziale con soglia da 0,03 A.
14. Verificare che l'impianto di terra sia realizzato a regola d'arte e collegarvi le parti metalliche della chiusura.
15. L'automazione dispone di una sicurezza intrinseca antischiacciamento costituita da un controllo di coppia. E' comunque necessario verificarne la soglia di intervento secondo quanto previsto dalle Norme indicate al punto 10.
16. I dispositivi di sicurezza (norma EN 12978) permettono di proteggere eventuali aree di pericolo da Rischi meccanici di movimento, come ad Es. schiacciamento, convolgiamento, cesoiamento.
17. Per ogni impianto è consigliato l'utilizzo di almeno una segnalazione luminosa nonché di un cartello di segnalazione fissato adeguatamente sulla struttura dell'infisso, oltre ai dispositivi citati al punto "16".
18. GENIUS declina ogni responsabilità ai fini della sicurezza e del buon funzionamento dell'automazione, in caso vengano utilizzati componenti dell'impianto non di produzione GENIUS.
19. Per la manutenzione utilizzare esclusivamente parti originali GENIUS.
20. Non eseguire alcuna modifica sui componenti facenti parte del sistema d'automazione.
21. L'installatore deve fornire tutte le informazioni relative al funzionamento manuale del sistema in caso di emergenza e consegnare all'Utente utilizzatore dell'impianto il libretto d'avvertenze allegato al prodotto.
22. Non permettere ai bambini o persone di sostare nelle vicinanze del prodotto durante il funzionamento.
23. Tenere fuori dalla portata dei bambini radiocomandi o qualsiasi altro datore di impulso, per evitare che l'automazione possa essere azionata involontariamente.
24. Il transito tra le ante deve avvenire solo a cancello completamente aperto.
25. L'utente utilizzatore deve astenersi da qualsiasi tentativo di riparazione o d'intervento e deve rivolgersi solo ed esclusivamente a personale qualificato GENIUS o centri d'assistenza GENIUS.
26. Tutto quello che non è previsto espressamente in queste istruzioni non è permesso.

## ENGLISH

### IMPORTANT NOTICE FOR THE INSTALLER

#### GENERAL SAFETY REGULATIONS



**ATTENTION! To ensure the safety of people, it is important that you read all the following instructions. Incorrect installation or incorrect use of the product could cause serious harm to people.**

1. Carefully read the instructions before beginning to install the product.
2. Do not leave packing materials (plastic, polystyrene, etc.) within reach of children as such materials are potential sources of danger.
3. Store these instructions for future reference.
4. This product was designed and built strictly for the use indicated in this documentation. Any other use, not expressly indicated here, could compromise the good condition/operation of the product and/or be a source of danger.
5. GENIUS declines all liability caused by improper use or use other than that for which the automated system was intended.
6. Do not install the equipment in an explosive atmosphere: the presence of inflammable gas or fumes is a serious danger to safety.
7. The mechanical parts must conform to the provisions of Standards EN 12604 and EN 12605.
8. For non-EU countries, to obtain an adequate level of safety, the Standards mentioned above must be observed, in addition to national legal regulations.
9. GENIUS is not responsible for failure to observe Good Technique in the construction of the closing elements to be motorised, or for any deformation that may occur during use.
10. The installation must conform to Standards EN 12453 and EN 12445. The safety level of the automated system must be C+D.
11. Before attempting any job on the system, cut out electrical power and disconnect the batteries.
12. The mains power supply of the automated system must be fitted with an all-pole switch with contact opening distance of 3mm or greater. Use of a 6A thermal breaker with all-pole circuit break is recommended.
13. Make sure that a differential switch with threshold of 0.03 A is fitted upstream of the system.
14. Make sure that the earthing system is perfectly constructed, and connect metal parts

- of the means of the closure to it.
15. The automated system is supplied with an intrinsic anti-crushing safety device consisting of a torque control. Nevertheless, its tripping threshold must be checked as specified in the Standards indicated at point 10.
16. The safety devices (EN 12978 standard) protect any danger areas against mechanical movement Risks, such as crushing, dragging, and shearing.
17. Use of at least one indicator-light is recommended for every system, as well as a warning sign adequately secured to the frame structure, in addition to the devices mentioned at point "16".
18. GENIUS declines all liability as concerns safety and efficient operation of the automated system, if system components not produced by GENIUS are used.
19. For maintenance, strictly use original parts by GENIUS.
20. Do not in any way modify the components of the automated system.
21. The installer shall supply all information concerning manual operation of the system in case of an emergency, and shall hand over to the user the warnings handbook supplied with the product.
22. Do not allow children or adults to stay near the product while it is operating.
23. Keep remote controls or other pulse generators away from children, to prevent the automated system from being activated involuntarily.
24. Transit through the leaves is allowed only when the gate is fully open.
25. The User must not in any way attempt to repair or to take direct action and must solely contact qualified GENIUS personnel or GENIUS service centres.
26. Anything not expressly specified in these instructions is not permitted.

## FRANÇAIS

### CONSIGNES POUR L'INSTALLATEUR

#### RÈGLES DE SÉCURITÉ



**ATTENTION! Il est important, pour la sécurité des personnes, de suivre à la lettre toutes les instructions. Une installation erronée ou un usage erroné du produit peut entraîner de graves conséquences pour les personnes.**

1. Lire attentivement les instructions avant d'installer le produit.
2. Les matériaux d'emballage (matière plastique, polystyrène, etc.) ne doivent pas être laissés à la portée des enfants car ils constituent des sources potentielles de danger.
3. Conserver les instructions pour les références futures.
4. Ce produit a été conçu et construit exclusivement pour l'usage indiqué dans cette documentation. Toute autre utilisation non expressément indiquée pourrait compromettre l'intégrité du produit et/ou représenter une source de danger.
5. GENIUS décline toute responsabilité qui dériverait d'usage improprie ou différent de celui auquel l'automatisme est destiné.
6. Ne pas installer l'appareil dans une atmosphère explosive: la présence de gaz ou de fumées inflammables constitue un grave danger pour la sécurité.
7. Les composants mécaniques doivent répondre aux prescriptions des Normes EN 12604 et EN 12605.
8. Pour les Pays extra-CEE, l'obtention d'un niveau de sécurité approprié exige non seulement le respect des normes nationales, mais également le respect des Normes susmentionnées.
9. GENIUS n'est pas responsable du non-respect de la Bonne Technique dans la construction des fermetures à motoriser, ni des déformations qui pourraient intervenir lors de l'utilisation.
10. L'installation doit être effectuée conformément aux Normes EN 12453 et EN 12445. Le niveau de sécurité de l'automatisme doit être C+D.
11. Couper l'alimentation électrique et déconnecter la batterie avant toute intervention sur l'installation.
12. Prévoir, sur le secteur d'alimentation de l'automatisme, un interrupteur onnipolaire avec une distance d'ouverture des contacts égale ou supérieure à 3 mm. On recommande d'utiliser un magnétothermique de 6A avec interruption onnipolaire.
13. Vérifier qu'il y ait, en amont de l'installation, un interrupteur différentiel avec un seuil de 0,03 A.
14. Vérifier que la mise à terre est réalisée selon les règles de l'art et y connecter les pièces métalliques de la fermeture.
15. L'automatisme dispose d'une sécurité intrinsèque anti-écrasement, formée d'un contrôle du couple. Il est toutefois nécessaire d'en vérifier le seuil d'intervention suivant les prescriptions des Normes indiquées au point 10.
16. Les dispositifs de sécurité (norme EN 12978) permettent de protéger des zones éventuellement dangereuses contre les Risques mécaniques du mouvement, comme l'écrasement, l'acheminement, le cisaillement.
17. On recommande que toute installation soit dotée au moins d'une signalisation lumineuse, d'un panneau de signalisation fixé, de manière appropriée, sur la structure de la fermeture, ainsi que des dispositifs cités au point "16".
18. GENIUS décline toute responsabilité quant à la sécurité et au bon fonctionnement de l'automatisme si les composants utilisés dans l'installation n'appartiennent pas à la production GENIUS.
19. Utiliser exclusivement, pour l'entretien, des pièces GENIUS originales.
20. Ne jamais modifier les composants faisant partie du système d'automatisme.
21. L'installateur doit fournir toutes les informations relatives au fonctionnement manuel du système en cas d'urgence et remettre à l'Usager qui utilise l'installation les "Instructions pour l'Usager" fournies avec le produit.
22. Interdire aux enfants ou aux tiers de stationner près du produit durant le fonctionnement.
23. Eloigner de la portée des enfants les radiocommandes ou tout autre générateur d'impulsions, pour éviter tout actionnement involontaire de l'automatisme.
24. Le transit entre les vantaux ne doit avoir lieu que lorsque le portail est complètement ouvert.
25. L'utilisateur doit s'abstenir de toute tentative de réparation ou d'intervention et doit s'adresser uniquement et exclusivement au personnel qualifié GENIUS ou aux centres d'assistance GENIUS.
26. Tout ce qui n'est pas prévu expressément dans ces instructions est interdit.

## ESPAÑOL

### ADVERTENCIAS PARA EL INSTALADOR

#### REGLAS GENERALES PARA LA SEGURIDAD



**ATENCIÓN! Es sumamente importante para la seguridad de las personas seguir atentamente las presentes instrucciones. Una instalación incorrecta o un uso impropio del producto puede causar graves daños a las personas.**

1. Leer detenidamente las instrucciones antes de instalar el producto.
2. Los materiales del embalaje (plástico, poliestireno, etc.) no deben dejarse al alcance

<b>1. DESCRIPTION AND TECHNICAL SPECIFICATIONS</b>	<b>page.7</b>
<b>2. DIMENSIONS</b>	<b>page.7</b>
<b>3. MAXIMUM USE CURVE</b>	<b>page.7</b>
<b>4. ELECTRONIC DEVICES (standard system)</b>	<b>page.7</b>
<b>5. INSTALLING THE AUTOMATED SYSTEM</b>	<b>page.8</b>
<b>5.1. PRELIMINARY CHECKS</b>	<b>page.8</b>
<b>5.2. MASONRY FOR FOUNDATION PLATE</b>	<b>page.8</b>
<b>5.3. MECHANICAL INSTALLATION</b>	<b>page.8</b>
<b>5.4. INSTALLING THE RACK</b>	<b>page.8</b>
<b>6. START-UP</b>	<b>page.9</b>
<b>6.1. CONNECTION OF CONTROL BOARD</b>	<b>page.9</b>
<b>6.2. POSITIONING THE TRAVEL-LIMIT ELEMENTS</b>	<b>page.9</b>
<b>7. AUTOMATED SYSTEM TEST</b>	<b>page.10</b>
<b>8. MANUAL OPERATION</b>	<b>page.10</b>
<b>9. RESTORING NORMAL OPERATION MODE</b>	<b>page.10</b>
<b>10. SPECIAL APPLICATIONS</b>	<b>page.10</b>
<b>11. MAINTENANCE</b>	<b>page.10</b>
<b>12. REPAIRS</b>	<b>page.10</b>
<b>13. ACCESSORIES</b>	<b>page.10</b>

**EU DECLARATION OF CONFORMITY**

The Manufacturer

**Company name:** FAAC S.p.A. Soc. Unipersonale  
**Address:** Via Calari, 10 - 40069 Zola Predosa BOLOGNA - ITALY

hereby declares under his sole responsibility that the following product:

**Description:** Gear motor for sliding gates  
**Model:** FALCON 14 M - FALCON 14 MC - FALCON 20 M- FALCON 20 MC - FALCON 15 M - FALCON 15 MC

Complies with the following relevant Union harmonization legislations:  
 2014/30/EU  
 2011/65/EU

Furthermore, the following harmonised standards have been applied:  
 EN61000-6-2:2005  
 EN61000-6-3:2007 + A1:2011

Bologna, Italy, 04-12-2018      CEO  
 A. Marcellan



**DECLARATION OF INCORPORATION FOR PARTLY COMPLETED MACHINERY**

(2006/42/EC ANNEX II P.1, B)

Manufacturer and person authorised to draft the applicable technical documentation

**Company name:** FAAC S.p.A. Soc. Unipersonale  
**Address:** Via Calari, 10 - 40069 Zola Predosa BOLOGNA - ITALY

Hereby declares that the partly completed machinery:

**Description:** Gear motor for sliding gates  
**Model:** FALCON 14 M - FALCON 14 MC - FALCON 20 M- FALCON 20 MC - FALCON 15 M - FALCON 15 MC

the following essential requirements of the Machinery Directive 2006/42/EC (including all applicable amendments) have been applied and fulfilled:

- 1.1.2, 1.1.3, 1.1.5, 1.1.6, 1.2.1, 1.2.3, 1.2.5, 1.2.6, 1.3.1, 1.3.2, 1.3.4, 1.3.6, 1.3.9, 1.4.1, 1.4.2.1, 1.5.1, 1.5.2, 1.5.5, 1.5.6, 1.5.7, 1.5.8, 1.5.10, 1.5.11, 1.6.1, 1.6.4, 1.7.1, 1.7.2, 1.7.3, 1.7.4.2, 1.7.4.3

and that the relevant technical documentation has been compiled in compliance with part B of Annex VII.

Furthermore, the following harmonised standards have been applied:

- EN60335-1:2012 + A11:2014
- EN60335-2-103:2015
- EN 12100:2010
- EN 13849-1:2015 CAT 2 PL "C"
- EN 13849-2:2012

Undertakes to transmit by mail or by e-mail, in response to a reasoned request by the national authorities, relevant information on the partly completed machinery.

It is also declared that the partly completed machinery identified above may not be commissioned until the final machine - into which it will be incorporated - has been declared compliant with the provisions of the above mentioned Machine Directive 2006/42/EC.

Bologna, Italy, 04-12-2018      CEO  
 A. Marcellan



# FALCON AUTOMATED SYSTEM

These instructions apply to the following models:

**FALCON 14 M - FALCON 14 MC - FALCON 20 M - FALCON 20 MC - FALCON 15 M - FALCON 15 MC**

The **FALCON** gearmotor for sliding gates is an electro-mechanical operator which transmits drive to the sliding leaf by a rack and pinion or by a chain suitably coupled to the gate.

The non-reversing system guarantees mechanical locking of the gate when the motor is not operating and, therefore, there is no need to install any lock.

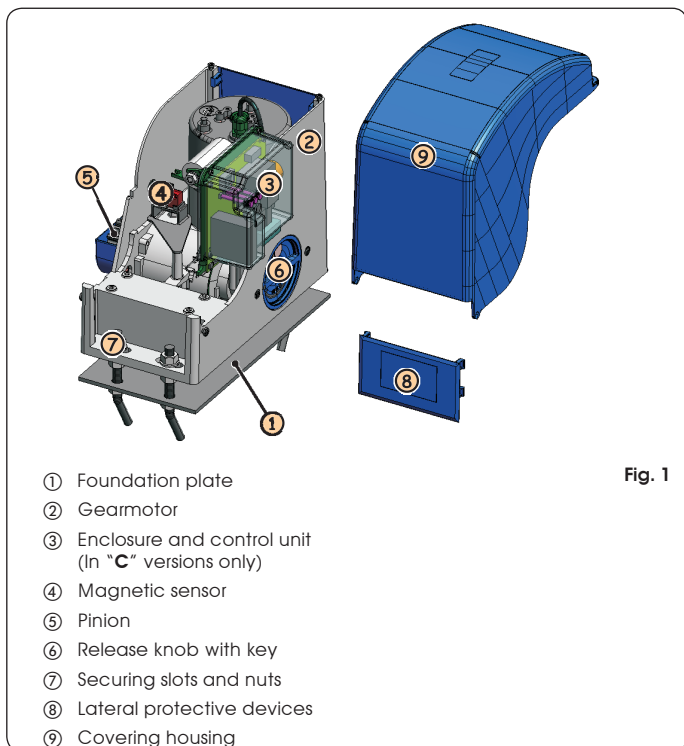
*The gearmotor does not have a mechanical clutch and, therefore, requires a control unit with an adjustable electronic clutch which guarantees the necessary anti-crushing safety.*

A handy manual release with a customised key makes the gate manoeuvrable in case of a power cut or trouble.

In the "C" version gearmotors, the electronic control unit is housed inside the operator.

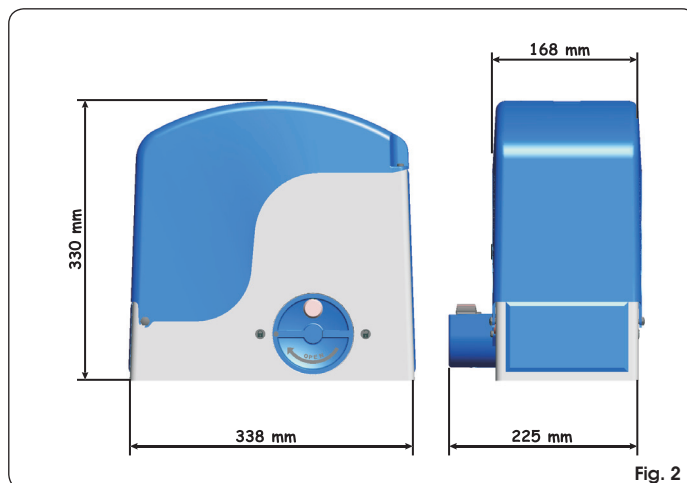
The **FALCON** gearmotor was designed and built for controlling vehicle access. Do not use in any different way.

## 1. DESCRIPTION AND TECHNICAL SPECIFICATIONS



MODEL	14 M 14 MC	20 M 20 MC	15 M 15 MC
Power supply (+6% -10%)	230 V~ 50 Hz		115 V~ 60 Hz
Absorbed power (W)	650	800	710
Absorbed current (A)	2.8	3.5	6.7
Electric motor (rpm)	1400		1700
Thrust capacitor (µF)	16	20	60
Thrust on pinion (daN)	110	150	130
Torque (Nm)	35	45	38
Temperature protection (°C)	140		
Max leaf weight (Kg)	1400	2000	1500
Type of pinion gear	Z 16 module 4		
Gate speed (m/min)	10		11
Max. gate length (m)	20		
Type of travel-limit device	Magnetic		
Type of clutch	Electronic torque control (See control unit)		
Use frequency (see graph)	S3 - 40%		
Operating ambient temperature (°C)	-20 ÷ +55		
Weight of gearmotor (Kg)	14	15	
Protection class	IP 44		
Operator dimensions	See fig. 2		

## 2. DIMENSIONS

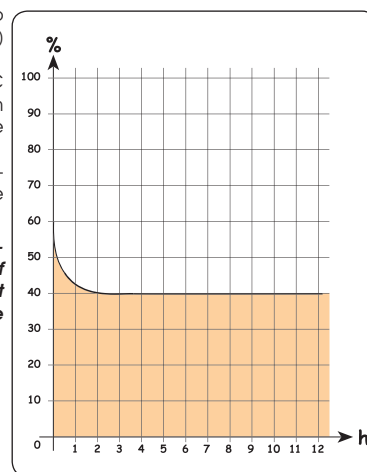


## 3. MAXIMUM USE CURVE

The curve makes it possible to establish maximum work time (T) according to use frequency (F). With reference to standard IEC 34-1, the **FALCON** gearmotor, with service type S3, can operate at use frequency of 40%. To ensure efficient operation, operate in the work range under the curve.



**Important: The curve is obtained at a temperature of 20°C. Exposure to the direct sun rays can reduce use frequency down to 20%.**



### Calculation of use frequency

The percentage of effective work time (opening + closing) compared to total time of cycle (opening + closing + pause times).

Calculation formula:

$$\% F = \frac{T_a + T_c}{T_a + T_c + T_p + T_i} \times 100$$

where:

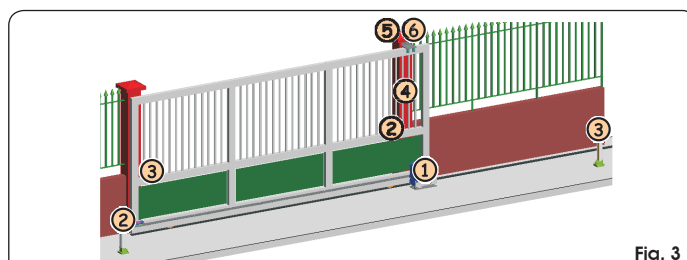
T<sub>a</sub> = opening time

T<sub>c</sub> = closing time

T<sub>p</sub> = pause time

T<sub>i</sub> = interval time between one complete cycle and another

## 4. ELECTRONIC DEVICES (standard system)



Pos.	Description	Connection cable
①	Gearmotor	3x2.5 mm <sup>2</sup> (230/115V~)
②	Photocell transmitter	2x0.5 mm <sup>2</sup> (TX)
③	Photocell receiver	4x0.5 mm <sup>2</sup> (RX)
④	Key-operated selector switch	2x0.5 mm <sup>2</sup>
⑤	Flashing light	2x1.5 mm <sup>2</sup>
⑥	External receiver (optional)	3x0.5 mm <sup>2</sup>

5. INSTALLING THE AUTOMATED SYSTEM

5.1. PRELIMINARY CHECKS

To ensure safety and an efficiently operating automatic system, make sure the following conditions are observed:

- The structure of the door must be suitable to be automated. Specifically, the wheel diameter must be in relation to the weight of the gate to be automated; an upper guide must be present; travel-limit mechanical stops must be fitted to prevent the gate derailing.
- The soil must permit sufficient stability for the foundation plinth.
- There must be no pipes or electrical cables in the plinth excavation area.
- If the gearmotor is exposed to passing vehicles, install, if possible, adequate means of protection against accidental impact.
- Check if an efficient earth socket is available for connecting the gearmotor.
- Make sure that there is sufficient space around the operator to enable all the installation jobs and subsequent maintenance work to be smoothly carried out.

5.2. MASONRY FOR FOUNDATION PLATE

1. Assemble the foundation plate as in Fig. 4.
2. The foundation plate must be located as shown in Fig. 5 (right closing) or Fig. 6 (left closing) to ensure correct meshing between rack and pinion.

**⚠** When positioning the plate, leave the Ø 80 hole for routing the sheaths on the left, as shown in Fig. 5-6 ref. ①.

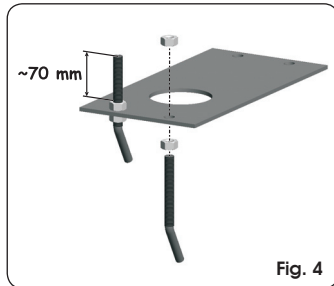
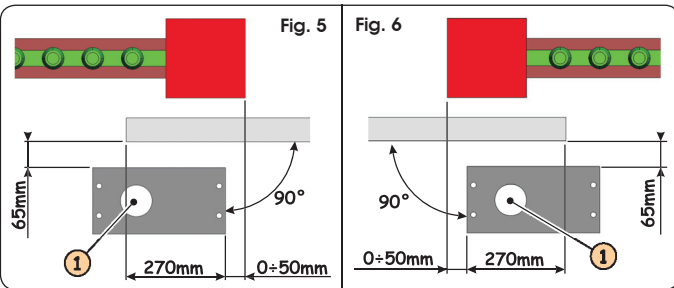


Fig. 4



3. Make a foundation plinth as in Fig. 7 and wall the foundation plate, providing one or more sheaths for routing the electrical cables. Using a spirit level, check if the plate is perfectly level. Wait for the cement to set.
4. Prepare the electrical cables for connection to the accessories and the electrical power supply as shown in Fig. 3.

To facilitate making the connections, make the cables come out by about 40 cm from the foundation plate hole (Fig. 5-6 ref. ①).

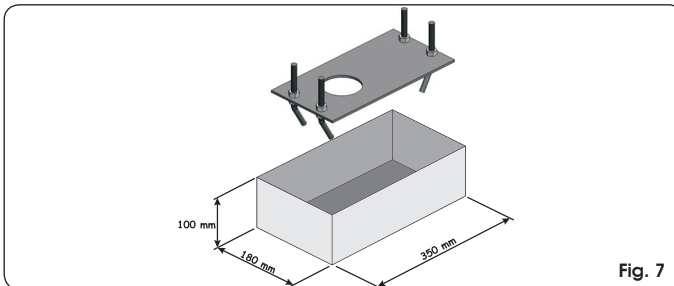


Fig. 7

5.3. MECHANICAL INSTALLATION

- ① Remove the motor cover, fully unscrewing the 2 upper securing screws (Fig. 8 ref. ①).
- ② Rotate the cover by about 30° and pull upward.
- ③ Withdraw the 2 lateral protective devices (Fig.8 ref. ②).

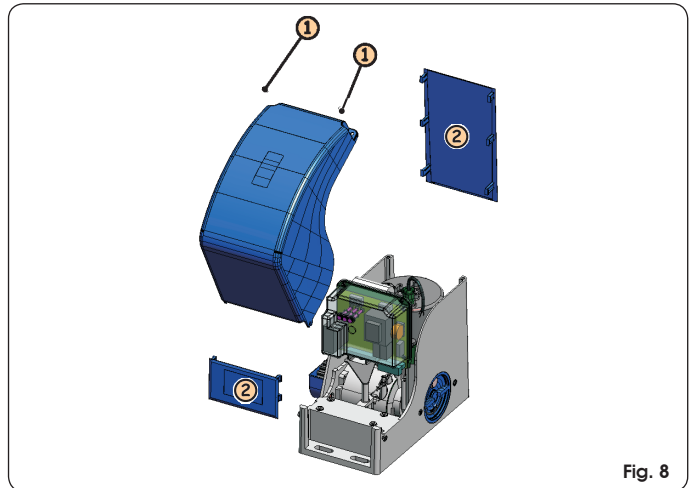


Fig. 8

- ④ Fit the operator on the plate, using the supplied washers and nuts as shown in Fig.9.

During this operation, route the cables through the slot on the operator's reduction element.

- ⑤ Adjust the height of the feet and the distance from the gate - refer to Fig. 10.

This operation is necessary to secure the rack correctly and to enable you, in future, to make any height adjustments to the motor.

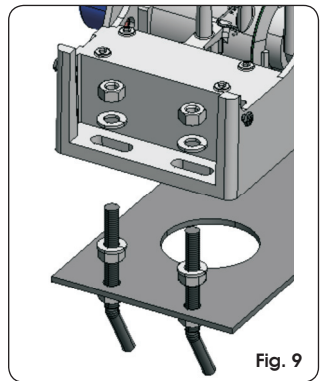


Fig. 9

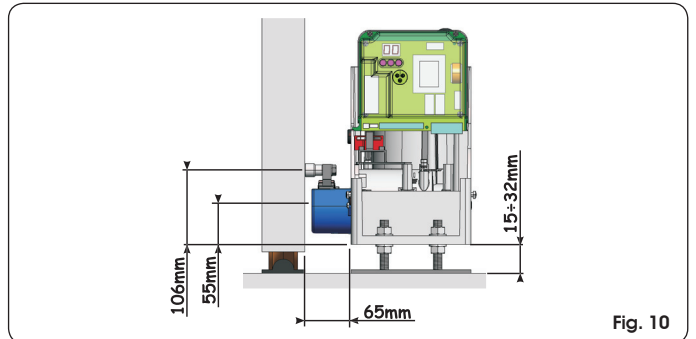


Fig. 10

- ⑥ Tighten the gearmotor securing screws.
- ⑦ Prepare the operator for manual operation as described in chapter 8.

5.4. INSTALLING THE RACK

5.4.1. STEEL RACK TO BE WELDED (Fig.11)

- ① Fit the three threaded pawls on the rack element, positioning them on the upper part of the slot. In this way the clearance on the slot will enable any adjustments long-term.
- ② Manually move the leaf to its opening position.
- ③ Lay the first piece of rack level on the pinion and weld the threaded pawl on the gate as shown in Fig.13.
- ④ Manually move the gate, checking if the rack is resting on the pinion and weld the second and third pawls.
- ⑤ Fit another rack element next to the previous one, using a piece of rack, as shown in Fig.14 ref. ①, to synchronise the teeth of the two elements.
- ⑥ Move the gate manually and weld the three threaded pawls. Carry on like this until you have fully covered the gate.

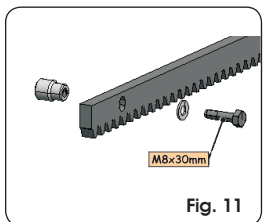


Fig. 11

**⚠** Do not allow any superfluous sections of rack to project from the gate.

**5.4.2. STEEL RACK TO BE SCREWED (Fig. 12)**

- ① Manually move the leaf to its opening position.
- ② Rest the first section of rack on the pinion, positioning the spacer between the rack and the edge of the gate. Using a spirit level, check if the rack is horizontal and mark the perforation point with a felt-tipped pen.
- ③ Drill with a 6.5 mm diameter bit, and thread with an M8 male element. Screw the bolt.
- ④ Manually move the gate, checking if the rack is resting on the pinion and repeat the operations in point ③.
- ⑤ Fit another rack element next to the previous one, using a piece of rack, as shown in Fig. 14 ref. ①, to synchronise the teeth of the two elements.
- ⑥ Move the gate by hand and perform the securing operations as for the first element, carrying on like this until you have covered the gate completely.

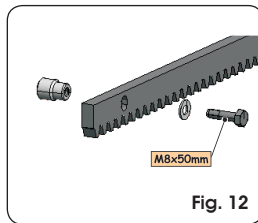


Fig. 12

**⚠ Do not allow any superfluous sections of rack to project from the gate.**

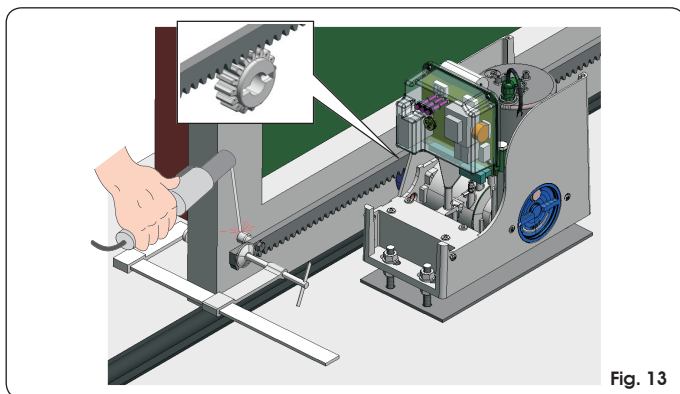


Fig. 13

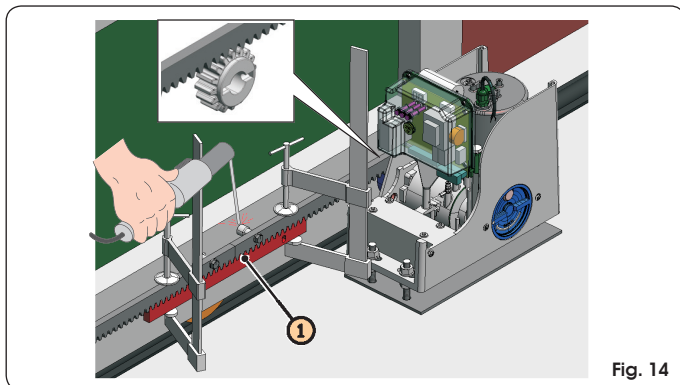


Fig. 14

**Notes on installing the rack**

- Make sure that, during gate travel, all the rack elements do not come out of the pinion.
- Do not, on any account, weld the rack elements either to the spacers or to each other.
- After you have finished installing the rack, to ensure correct meshing with the pinion, we advise you to lower the position of the gearmotor by about 1.5 mm (Fig.15).
- Manually check if the gate correctly reaches the travel-limit mechanical stops and if there is any friction during travel.
- Do not use grease or other lubricants between rack and pinion.

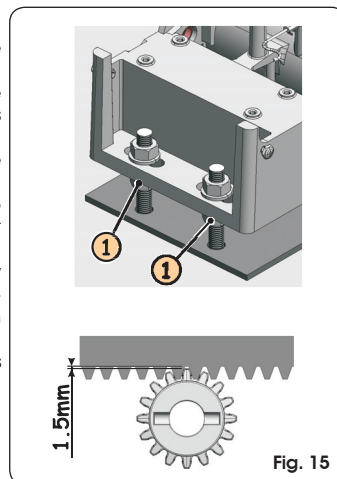


Fig. 15

**6. START-UP**

**6.1. CONNECTION OF CONTROL BOARD**



**Before attempting any work on the board (connections, programming, maintenance), always turn off power.**

Observe points 10, 11, 12, 13 and 14 of the GENERAL SAFETY RULES. Follow the instructions in Fig. 3, route the cables in the raceways and make the electrical connections to the selected accessories. Always separate power cables from control and safety cables (push-button, receiver, photocells, etc.). To prevent any electric noise whatever, use separate sheaths.

**6.1.1. EARTHING**

Connect the earthing cable as shown in Fig. 16.

**6.1.2. CONTROL UNIT**

In the "C" version gearmotors, the electronic control unit is secured to an adjustable support with a transparent cover. The board programming push-buttons are located on the cover - this enables you to program the board without having to remove the cover. To connect the control unit correctly, follow the specific instructions.

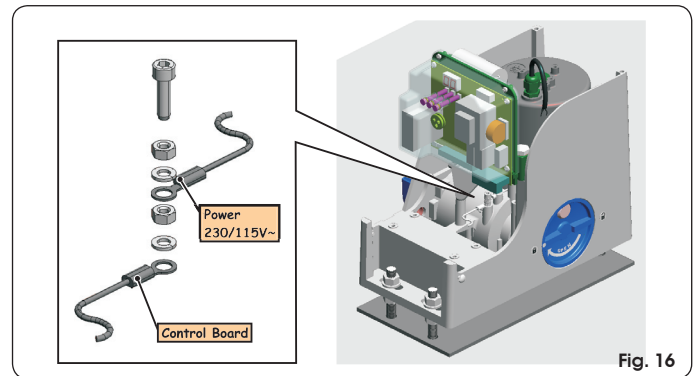


Fig. 16

**6.2. POSITIONING THE TRAVEL-LIMIT ELEMENTS**



**To correctly position the travel-limit magnets, the control unit must first be installed and correctly connected to all the command and safety accessories.**

The operator has a magnetic limit switch, which commands gate motion to stop when the magnet, which is secured to the upper part of the rack, activates the sensor. The magnets supplied with the operator are specifically polarised and activate only one of the sensor's contacts: the closing or opening contact. The magnet activating the open gate contact bears an open padlock symbol, and, vice versa, the magnet activating the closed gate contact bears the closed padlock symbol (see Fig. 17). Procedure for correct positioning of the two travel-limit magnets:

*To ensure the operator functions correctly, the magnet showing an open padlock must be positioned on the left of the operator, looking at the automated system from the inside. Vice versa, the magnet showing a closed padlock must be positioned on the right of the operator.*

- ① Assemble the two magnets as indicated in the attached sheet and in fig. 17.
- ② Set the operator to manual mode operation - as per paragraph 8 - and power up the system.
- ③ Manually take the gate to opening position, leaving 4 cm from the travel limit mechanical stop.

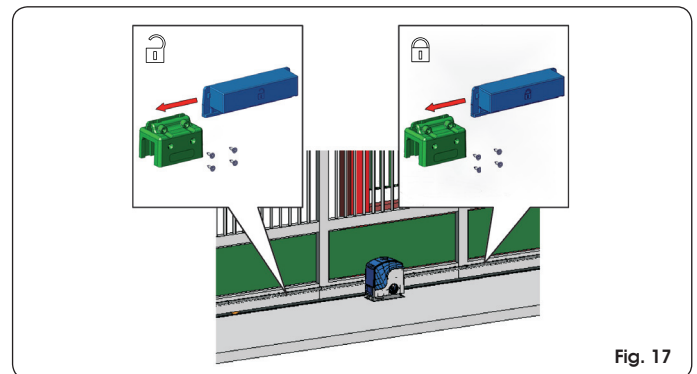


Fig. 17

- ④ Slide the magnet nearest to the operator on the rack, in the direction of the motor - see figure 18. As soon as the LED on the board, referring to the travel limit stop, goes OFF, take the magnet forward by another 10 mm and fasten it with the appropriate screws (Fig. 18 ref. ①).

- ⑤ Do likewise for the other magnet.
- ⑥ Take the gate to about halfway of its travel and relock the system (see paragraph 9).

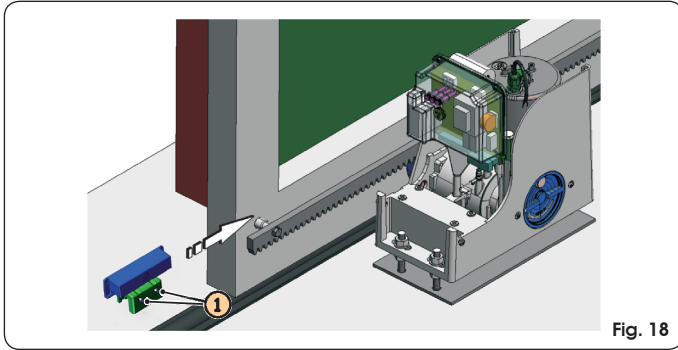


Fig. 18

**⚠** Before sending a pulse, make sure that the gate cannot be moved manually.

- ⑦ Command a complete gate cycle to check if the travel-limit device is tripping correctly.

To avoid damaging the operator and/or interrupting operation of the automated system, leave a distance of least 40 mm from the travel limit mechanical stops.

Make sure that at the end of both the opening and closing manoeuvre, the relevant travel-limit LED stays active (LED OFF).

- ⑧ Make the appropriate modifications to the positions of the travel-limit magnets.

**7. AUTOMATED SYSTEM TEST**

Fit the lateral protective devices and re-position the motor cover, securing it with the appropriate screws (Fig. 19).

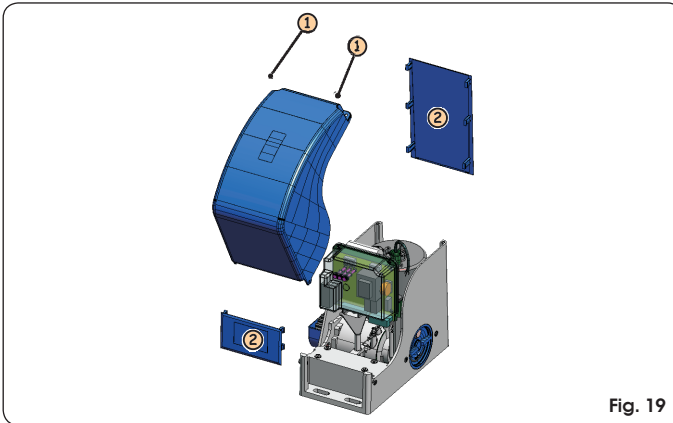


Fig. 19

Apply the danger sticker on the top of the cover (Fig. 20). Check operating efficiency of the automated system and all accessories connected to it. Hand the "Use Instructions" to the Customer, explain correct operation and use of the gearmotor, and indicate the potentially dangerous areas of the automated system.

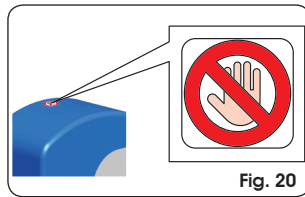


Fig. 20

**8. MANUAL OPERATION**

**⚠** The manual release is a device that makes it possible to disconnect the operator from the gate, thus enabling manual movement.

Before using the release device, cut power to the system, with the differential switch upstream of the gearmotor.

**THE RELEASE DEVICE MUST NOT BE CONSIDERED AN EMERGENCY STOP**

If the gate has to be moved manually due to a power cut or fault of the automated system, use the release device as follows:

1. Fit the supplied key in the lock, Fig. 21 Ref. ①, and turn it clockwise as shown in Fig. 21 Ref. ②.
2. Turn the release system clockwise by about 180°, as shown in Fig. 21 Ref. ③.
3. Open and close the gate manually.

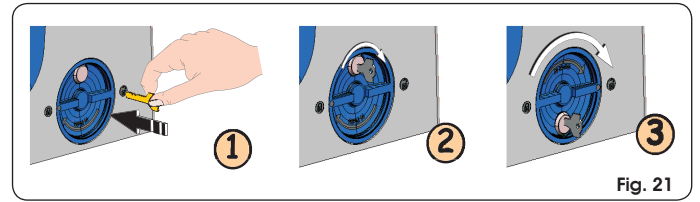


Fig. 21

**9. RESTORING NORMAL OPERATION MODE**

To prevent an involuntary pulse from activating the gate during the manoeuvre, cut power to the system before re-locking the operator.

1. Turn the release system anti-clockwise by about 180°, as shown in Fig. 22 ref. ①.
2. Turn the key anti-clockwise, Fig. 22 ref. ②, and remove it from the lock, as shown in Fig. 22 ref. ③.
3. Move the gate until it meshes to release.

**⚠** Before powering up the system again, make sure that the gate cannot be moved manually.

**10. SPECIAL APPLICATIONS**

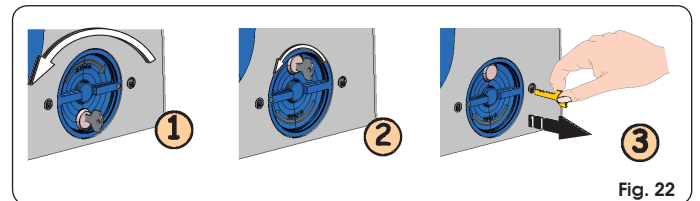


Fig. 22

There are no special applications.

**⚠** Anything not expressly specified in these instructions is expressly prohibited

**11. MAINTENANCE**

To ensure correct long-term operation and a constant level of safety, we advise you to generally control the system every 6 months. In the "Use Instructions" booklet, there is a form for recording maintenance jobs.

**⚠** The enclosed maintenance form is purely a guideline; it cannot be ruled out that to guarantee a correctly operating automated system and a constant level of safety, maintenance operations not described in this form may be necessary.

**12. REPAIRS**

The User must not in any way attempt to repair or to take direct action and must solely contact qualified GENIUS personnel or GENIUS service centres.

**13. ACCESSORIES**

For accessories, see the GENIUS catalogue.

# GENIUS® **FALCON M**

## Istruzioni per l'uso - Instructions for use - Instructions pour l'utilisateur - Instrucciones para el uso - Gebrauchsanleitung - Gids voor de gebruiker

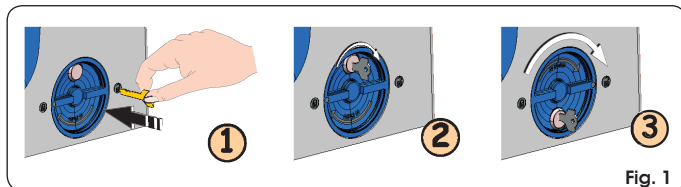


Fig. 1

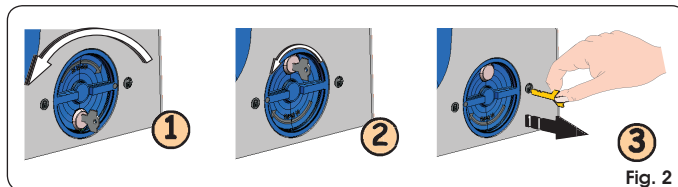


Fig. 2

### ITALIANO

**⚠** Leggere attentamente le istruzioni prima di utilizzare il prodotto e conservarle per eventuali necessità future

#### NORME GENERALI DI SICUREZZA

L'automazione FALCON M, se correttamente installata ed utilizzata, garantisce un elevato grado di sicurezza. Alcune semplici norme di comportamento possono evitare inoltre inconvenienti accidentali:

- Non sostare e non permettere a bambini, persone o cose di sostare nelle vicinanze dell'automazione, soprattutto durante il funzionamento.
- Tenere fuori dalla portata dei bambini, radiocomandi o qualsiasi altro datore d'impulso che possa azionare involontariamente l'automazione.
- Non permettere ai bambini di giocare con l'automazione.
- Non contrastare volontariamente il movimento del cancello.
- Evitare che rami o arbusti possano interferire col movimento del cancello.
- Mantenere efficienti e ben visibili i sistemi di segnalazione luminosa.
- Non tentare di azionare manualmente il cancello se non dopo averlo sbloccato.
- In caso di malfunzionamenti, sbloccare il cancello per consentire l'accesso ed attendere l'intervento tecnico di personale qualificato.
- Una volta predisposto il funzionamento manuale, prima di ripristinare il funzionamento normale, togliere alimentazione elettrica all'impianto.
- Non eseguire alcuna modifica sui componenti facenti parte del sistema d'automazione.
- Astenersi da qualsiasi tentativo di riparazione o d'intervento diretto e rivolgersi solo a personale qualificato.
- Far verificare almeno semestralmente l'efficienza dell'automazione, dei dispositivi di sicurezza e del collegamento di terra da personale qualificato.

#### DESCRIZIONE

- L'automazione **FALCON M** è ideale per il controllo di aree di accesso veicolare in ambito residenziale.
- **FALCON M** per cancelli scorrevoli è un operatore elettromeccanico che trasmette il movimento all'anta tramite un pignone a cremagliera.
- Per il dettagliato comportamento del cancello scorrevole nelle diverse logiche di funzionamento, fare riferimento al Tecnico d'installazione.
- Nelle automazioni sono presenti dispositivi di rilevazione ostacolo (fotocellule) che impediscono la richiusura del cancello quando un ostacolo si trova nella zona da loro protetta.
- Il sistema garantisce il blocco meccanico quando il motore non è in funzione e quindi non occorre installare alcuna serratura.
- L'apertura manuale è quindi possibile solo intervenendo sull'apposito sistema di sblocco.
- Il motoriduttore è dotato di frizione elettronica regolabile che permette un uso sicuro dell'automazione.
- L'apparecchiatura elettronica è incorporata nel motoriduttore.
- Un comodo sblocco manuale rende manovrabile il cancello in caso di black-out o disservizio.
- La segnalazione luminosa indica il movimento in atto del cancello.

#### CARATTERISTICHE TECNICHE

MODELLO	14 M 14 MC	20 M 20 MC	15 M 15 MC
Alimentazione (+6% -10%)	230 V~ 50 Hz		115 V~ 60 Hz
Potenza assorbita (W)	650	800	710
Corrente assorbita (A)	2.8	3.5	6.7
Motore elettrico (giri/min.)	1400		1700
Condensatore di spunto (µF)	16	20	60
Spinta sul pignone (daN)	110	150	130
Coppia (Nm)	35	45	38

MODELLO	14 M 14 MC	20 M 20 MC	15 M 15 MC
Termoprotezione (°C)	140		
Peso anta max. (Kg)	1400	2000	1500
Tipo di pignone	Z 16 modulo 4		
Velocità del cancello (m/min.)	10		11
Lunghezza max. cancello (m)	20		
Tipo di finecorsa	Magnetico		
Tipo di frizione	Controllo di coppia elettronico (Vedi centrale)		
Frequenza d'utilizzo (vedi grafico)	S3 - 40%		
Temperatura ambiente (°C)	-20 ÷ +55		
Peso del motoriduttore (Kg)	14	15	
Grado di protezione	IP 44		

#### FUNZIONAMENTO MANUALE

**⚠** Lo sblocco manuale è un dispositivo che permette di svincolare l'operatore dal cancello permettendone la movimentazione manuale.

Prima di agire sul dispositivo di sblocco togliere tensione all'impianto agendo sull'interruttore differenziale a monte del motoriduttore.

#### IL DISPOSITIVO DI SBLOCCO NON SI DEVE CONSIDERARE UN ARRESTO D'EMERGENZA

Nel caso sia necessario azionare manualmente il cancello a causa di mancanza di alimentazione elettrica o disservizio dell'automazione, è necessario agire sul dispositivo di sblocco come segue:

1. Inserire l'apposita chiave in dotazione nella serratura, Fig. 1 Rif. ①, e ruotarla in senso orario come indicato in Fig. 1 Rif. ②.
2. Ruotare il sistema di sblocco in senso orario di circa 180°, come indicato in Fig. 1 Rif. ③.
3. Effettuare manualmente la manovra di apertura o chiusura.

#### RIPRISTINO DEL FUNZIONAMENTO NORMALE

Per evitare che un impulso involontario possa azionare il cancello durante la manovra, prima di ribloccare l'operatore, togliere alimentazione all'impianto.

1. Ruotare il sistema di sblocco in senso antiorario di circa 180°, come indicato in Fig. 2 rif. ①.
2. Ruotare la chiave in senso antiorario, Fig. 2 rif. ②, ed estrarla dalla serratura, come indicato in Fig. 2 rif. ③.
3. Muovere il cancello fino all'ingranamento dello sblocco.

**⚠** Prima di ripristinare l'alimentazione al sistema verificare che il cancello non si possa muovere manualmente.

#### MANUTENZIONE

Al fine d'assicurare nel tempo un corretto funzionamento ed un costante livello di sicurezza è opportuno eseguire, con cadenza semestrale, un controllo generale dell'impianto. Nel fascicolo "Istruzioni per l'uso" è stato predisposto un modulo per la registrazione degli interventi di manutenzione.

**⚠** Il modulo per la manutenzione allegato ha uno scopo puramente indicativo, non è escluso che per garantire il corretto funzionamento dell'automazione ed un costante livello di sicurezza siano necessarie operazioni di manutenzione non riportate nel modulo.

#### RIPARAZIONI

L'utente utilizzatore deve astenersi da qualsiasi tentativo di riparazione o d'intervento e deve rivolgersi solo ed esclusivamente a personale qualificato GENIUS o centri d'assistenza GENIUS.



**⚠ Read the instructions carefully before using the product and store them for future use**

**GENERAL SAFETY REGULATIONS**

If correctly installed and used, the **FALCON M** automated system will ensure a high degree of safety. Some simple rules on behaviour can prevent accidental trouble:

- Do not stand near the automatic system, and do not allow children, persons or things to do so, especially when it is operating.
- Keep radio-controls, or any other pulse generators that could involuntarily activate the automated system, well away from children.
- Do not allow children to play with the automated system.
- Do not willingly obstruct gate movement.
- Prevent any branches or shrubs from interfering with gate movement.
- Keep the indicator-lights efficient and easy to see.
- Do not attempt to activate the gate by hand unless you have released it.
- In the event of malfunctions, release the gate to allow access and wait for qualified technical personnel to do the necessary work.
- When you have set manual operation mode, cut power to the system before restoring normal operation.
- Do not in any way modify the components of the automated system.
- Do not attempt any kind of repair or direct action whatever and contact qualified personnel only.
- At least every six months: arrange a check by qualified personnel of the automatic system, safety devices and earth connection.

**DESCRIPTION**

The **FALCON M** automated system is ideal for controlling vehicle access areas in residential environments. **FALCON M** for sliding gates is an electro-mechanical operator which transmits motion to the leaf via a rack and pinion. For details on sliding gate behaviour in different function logics, consult the installation Technician. Automated systems include obstacle detection devices (photocells) that prevent the gate from closing when there is an obstacle in the area they protect. The system ensures mechanical locking when the motor is not operating and, therefore, installing a lock is unnecessary. Manual opening is, therefore, only possible by using the release system. The gearmotor has an adjustable electronic clutch enabling safe use of the automated system. The control unit is built into the gearmotor. A handy manual release facility makes it possible to move the gate in the event of a power cut or fault. The warning-light indicates that the gate is currently moving.

**TECHNICAL SPECIFICATIONS**

MODEL	14 M 14 MC	20 M 20 MC	15 M 15 MC
Power supply (+6% - 10%)	230 V~ 50 Hz		115 V~ 60 Hz
Absorbed power (W)	650	800	710
Absorbed current (A)	2.8	3.5	6.7
Electric motor (rpm)	1400		1700
Thrust capacitor (µF)	16	20	60
Thrust on pinion (daN)	110	150	130
Torque (Nm)	35	45	38

MODEL	14 M 14 MC	20 M 20 MC	15 M 15 MC
Temperature protection (°C)	140		
Max leaf weight (Kg)	1400	2000	1500
Type of pinion gear	Z 16 module 4		
Gate speed (m/min)	10		11
Gate max. length (m)	20		
Type of travel-limit device	Magnetic		
Type of clutch	Electronic torque control (See control unit)		
Use frequency (see graph)	S3 - 40%		
Operating ambient temperature (°C)	-20 ÷ +55		
Weight of gearmotor (Kg)	14	15	
Protection class	IP 44		

**MANUAL OPERATION**

**⚠ The manual release is a device that makes it possible to disconnect the operator from the gate, thus enabling manual movement.**

**Before using the release device, cut power to the system, with the differential switch upstream of the gearmotor.**

**THE RELEASE DEVICE MUST NOT BE CONSIDERED AN EMERGENCY STOP**

If the gate has to be moved manually due to a power cut or fault of the automated system, use the release device as follows:

1. Fit the supplied key in the lock, Fig. 1 Ref. ①, and turn it clockwise as shown in Fig. 1 Ref. ②.
2. Turn the release system clockwise by about 180°, as shown in Fig. 1 Ref. ③.
3. Open and close the gate manually.

**RESTORING NORMAL OPERATION MODE**

To prevent an involuntary pulse from activating the gate during the manoeuvre, cut power to the system before re-locking the operator.

1. Turn the release system anti-clockwise by about 180°, as shown in Fig. 2 ref. ①.
2. Turn the key anti-clockwise, Fig. 2 ref. ②, and remove it from the lock, as shown in Fig. 2 ref. ③.
3. Move the gate until it meshes to release.

**⚠ Before powering up the system again, make sure that the gate cannot be moved manually.**

**MAINTENANCE**

To ensure correct long-term operation and a constant level of safety, we advise you to generally control the system every 6 months. In the "Use Instructions" booklet, there is a form for recording maintenance jobs.

**⚠ The enclosed maintenance form is purely a guideline; it cannot be ruled out that to guarantee a correctly operating automated system and a constant level of safety, maintenance operations not described in this form may be necessary.**

**REPAIRS**

The User must not in any way attempt to repair or to take direct action and must solely contact qualified GENIUS personnel or GENIUS service centres.

**FRANÇAIS**

**⚠ Lire attentivement les instructions avant d'utiliser le produit et les conserver pour toute nécessité future éventuelle**

**PRESCRIPTIONS GÉNÉRALES DE SÉCURITÉ**

S'il est correctement installé et utilisé, l'automatisme **FALCON M** garantit un haut niveau de sécurité. Par ailleurs, quelques règles simples de comportement peuvent éviter bien des accidents

- Ne pas stationner et interdire aux enfants, aux personnes et aux choses de stationner près de l'automatisme et en particulier durant le fonctionnement.
- Éloigner de la portée des enfants les radiocommandes ou tout autre dispositif générateur d'impulsion, pour éviter que l'automatisme ne soit actionné involontairement.
- Interdire aux enfants de jouer avec l'automatisme.
- Ne pas contraster volontairement le mouvement du portail.
- Éviter que des branches ou des arbustes n'entravent le mouvement du portail.
- Faire en sorte que les systèmes de signalisation lumineuse soient toujours efficaces et bien visibles.
- N'actionner manuellement le portail qu'après l'avoir déverrouillé.

- En cas de dysfonctionnement, déverrouiller le portail pour permettre l'accès et attendre l'intervention technique du personnel qualifié.
- Lorsque le fonctionnement manuel a été disposé, couper le courant sur l'installation avant de rétablir le fonctionnement normal.
- N'effectuer aucune modification sur les composants qui font partie du système d'automatisme.
- Éviter toute tentative de réparation ou d'intervention directe et s'adresser uniquement à du personnel qualifié.
- Faire vérifier, au moins tous les six mois, l'efficacité de l'automatisme, des dispositifs de sécurité et de la mise à la terre par du personnel qualifié.

**DESCRIPTION**

- L'automatisme **FALCON M** est l'idéal pour le contrôle des zones d'accès de véhicules dans un cadre domestique.
- **FALCON M** pour portails coulissants est un opérateur électromécanique qui transmet le mouvement au vantail par l'intermédiaire d'un pignon à crémaillère.
- Pour le comportement détaillé du portail coulissant dans les différentes logiques de fonctionnement, s'adresser à l'Installateur.
- Les automatismes disposent de dispositifs de détection d'obstacle

(fotocélulas) que impiden la refermetura del portall en cas d'obstacle dans la zone qu'ils protègent.

- Le système garantit le blocage mécanique quand le moteur n'est pas en fonction; il n'est donc pas nécessaire d'installer de serrure.
- L'ouverture manuelle n'est donc possible qu'en intervenant sur le système de déverrouillage spécifique.
- Le motoréducteur est muni d'un embrayage électronique réglable qui permet un usage sûr de l'automatisme.
- L'armoire électronique est incorporée au motoréducteur.
- Un dispositif pratique de déverrouillage permet de manoeuvrer le portall en cas de coupure de courant ou de dysfonctionnement.
- La signalisation lumineuse indique que le portall est en mouvement.

### CARACTÉRISTIQUES TECHNIQUES

MODÈLE	14 M 14 MC	20 M 20 MC	15 M 15 MC
Alimentation (+6% -10%)	230 V~ 50 Hz		115 V~ 60 Hz
Puissance absorbée (W)	650	800	710
Courant absorbé (A)	2.8	3.5	6.7
Moteur électrique (tours/min.)	1400		1700
Condensateur de démarrage (µF)	16	20	60
Poussée sur le pignon (daN)	110	150	130
Couple (Nm)	35	45	38
Protection thermique (°C)	140		
Poids maxi vantail (kg)	1400	2000	1500
Type de pignon	Z 16 module 4		
Vitesse du portall (m/min)	10	11	
Longueur maxi portall (m)	20		
Type de fin de course	Magnétique		
Type d'embrayage	Contrôle électronique du couple (Voir centrale)		
Fréquence d'utilisation (voir graphique)	S3 - 40%		
Température de fonctionnement (°C)	-20 ÷ +55		
Poids du motoréducteur (kg)	14	15	
Degré de protection	IP 44		

### FUNCIONNEMENT MANUEL

**⚠** Lea detenidamente las instrucciones antes de utilizar el producto y consérvelas para posibles usos futuros

#### NORMAS GENERALES DE SEGURIDAD

La automatización **FALCON M**, si se instala y utiliza correctamente, garantiza un elevado grado de seguridad. Algunas simples normas de comportamiento pueden evitar inconvenientes o accidentes:

- No se detenga y no permita que niños, personas u objetos estén detenidos cerca de la automatización, evitándolo todavía más durante el funcionamiento.
- Mantenga fuera del alcance de los niños radio mandos o cualquier otro generador de impulsos para evitar que la automatización pueda accionarse involuntariamente.
- No permita que los niños jueguen con la automatización.
- No obstaculice voluntariamente el movimiento de la cancela.
- Evite que ramas o arbustos interfieran con el movimiento de la cancela.
- Mantenga en buen estado y bien visibles los sistemas de señalización luminosa.
- No intente accionar manualmente la cancela si no está desbloqueada.
- En caso de mal funcionamiento, desbloquee la cancela para permitir el acceso y espere a que personal técnico cualificado intervenga para solucionar el problema.
- Una vez preparado el funcionamiento manual, quite la alimentación eléctrica al equipo antes de reanudar el funcionamiento normal.
- No efectúe ninguna modificación en los componentes que formen parte del sistema de automatización.
- Absténgase de intentar reparar o de intervenir directamente, diríjase exclusivamente a personal cualificado.
- Haga verificar por lo menos semestralmente el funcionamiento de la automatización, de los dispositivos de seguridad y la conexión a tierra por personal cualificado.

#### DESCRIPCIÓN

- La automatización **FALCON M** es ideal para el control de áreas de acceso de vehículos en ámbito residencial.
- **FALCON M** para cancelas correderas es un operador electromecánico que transmite el movimiento a la hoja por medio de un piñón de cremallera.
- Para conocer en detalle el comportamiento de la cancela corredera en las diferentes lógicas de funcionamiento, consulte al Técnico instalador.

**⚠** Le déverrouillage manuel est un dispositif qui permet de dégager l'opérateur du portall en en permettant l'actionnement manuel.

Avant d'agir sur le dispositif de déverrouillage, couper le courant sur l'installation en agissant sur l'interrupteur différentiel en amont du motoréducteur.

#### LE DISPOSITIF DE DÉVERROUILLAGE N'EST PAS UN ARRÊT D'URGENCE

S'il est nécessaire d'actionner manuellement le portall en raison d'une coupure de courant ou d'un dysfonctionnement de l'automatisme, agir sur le dispositif de déverrouillage comme suit:

1. Introduire la clé spéciale fournie dans la serrure, Fig. 1 Réf. ①, et la tourner en sens horaire d'après la Fig. 1 Réf. ②.
2. Tourner le système de déverrouillage en sens horaire d'environ 180°, d'après la Fig. 1 Réf. ③.
3. Effectuer manuellement la manoeuvre d'ouverture ou de fermeture.

#### RÉTABLISSEMENT DU FONCTIONNEMENT NORMAL

Pour éviter qu'une impulsion involontaire n'actionne le portall durant la manoeuvre, couper le courant sur l'installation avant de bloquer de nouveau l'opérateur.

1. Tourner le système de déverrouillage en sens inverse horaire d'environ 180°, d'après la Fig. 2 réf. ①.
2. Tourner la clé en sens inverse horaire d'après la Fig. 2 réf. ②, et l'extraire de la serrure d'après la Fig. 2 réf. ③.
3. Actionner le portall jusqu'à l'engrènement du déverrouillage.

**⚠** Avant de remettre le système sous tension, vérifier que le portall ne peut pas être actionné manuellement.

#### ENTRETIEN

Pour assurer un fonctionnement correct et un niveau de sécurité constant durables, exécuter, tous les six mois, un contrôle général de l'installation. Avec le dossier "Instructions pour l'utilisateur", on a disposé un formulaire pour l'enregistrement des interventions d'entretien.

**⚠** Le formulaire d'entretien annexé a un objectif purement indicatif; il n'est pas exclu que pour garantir le fonctionnement correct de l'automatisme et un niveau de sécurité constant des opérations d'entretien ne figurant pas sur le formulaire soient nécessaires.

#### RÉPARATIONS

L'utilisateur doit s'abstenir de toute tentative de réparation ou d'intervention et doit s'adresser uniquement et exclusivement à du personnel qualifié GENIUS ou aux centres d'assistance GENIUS.

## ESPAÑOL

- Las automatizaciones están equipadas con dispositivos de detección de obstáculos (fotocélulas) que impiden el cierre de la cancela cuando un obstáculo se encuentra en la zona protegida por dichos dispositivos.
- El sistema garantiza el bloqueo mecánico cuando el motor no está en funcionamiento, por lo que no es necesario instalar cerradura alguna.
- Por lo tanto la apertura manual sólo es posible si se interviene en el correspondiente sistema de desbloqueo.
- El motorreductor está provisto de embrague electrónico regulable que permite un uso seguro de la automatización.
- El equipo electrónico está incorporado en el motorreductor.
- Un cómodo sistema de desbloqueo manual permite maniobrar la cancela en caso de falta de alimentación eléctrica o de avería.
- La señalización luminosa indica el movimiento en acto de la cancela.

#### CARACTERÍSTICAS TÉCNICAS

MODELO	14 M 14 MC	20 M 20 MC	15 M 15 MC
Alimentación (+6% -10%)	230 V~ 50 Hz		115 V~ 60 Hz
Potencia absorbida (W)	650	800	710
Corriente absorbida (A)	2.8	3.5	6.7
Motor eléctrico (r.p.m.)	1400		1700
Condensador de arranque (µF)	16	20	60
Empuje en el piñón (daN)	110	150	130
Par (Nm)	35	45	38
Termoprotección (°C)	140		
Peso hoja máx. (Kg)	1400	2000	1500
Tipo de piñón	Z 16 módulo 4		
Velocidad de la cancela (m/min.)	10	11	
Longitud máxima de la cancela (m)	20		
Tipo de final de carrera	Magnético		
Tipo de embrague	Control de par electrónico (Véase central)		
Frecuencia de utilización (véase gráfico)	S3 - 40%		
Temperatura ambiente de funcionamiento (°C)	-20 ÷ +55		

MODELO	14 M 14 MC	20 M 20 MC	15 M 15 MC
Peso del motorreductor (Kg)	14	15	
Grado de protección	IP 44		

## FUNCIONAMIENTO MANUAL

**⚠ El desbloqueo manual es un dispositivo que permite liberar el operador de la cancela para permitir el movimiento manual de la misma.**

Antes de intervenir en el dispositivo de desbloqueo, quite la tensión al equipo por medio del interruptor diferencial situado línea arriba del motorreductor.

### EL DISPOSITIVO DE DESBLOQUEO NO DEBE CONSIDERARSE UN DISPOSITIVO DE PARADA DE EMERGENCIA

Si fuera necesario mover la cancela manualmente, por ejemplo por un corte de corriente o un fallo de la automatización, es necesario manipular el dispositivo de desbloqueo del siguiente modo:

1. Introduzca en la cerradura la llave suministrada en dotación (Fig. 1 Ref. ①), y gírela en sentido horario como se indica en la Fig. 1 Ref. ②).
2. Gire el sistema de desbloqueo en sentido horario unos 180°, tal y como se indica en la Fig. 1 Ref. ③).
3. Efectúe manualmente la maniobra de apertura o de cierre.

## RESTABLECIMIENTO DEL FUNCIONAMIENTO NORMAL

Para evitar que un impulso involuntario pueda accionar la cancela durante la maniobra, antes de volver a bloquear el operador quite la alimentación al equipo.

1. Gire el sistema de desbloqueo en sentido antihorario unos 180°, tal y como se indica en la Fig. 2 ref. ①).
2. Gire la llave en sentido antihorario, Fig. 2 ref. ②), y retírela de la cerradura, como se indica en la Fig. 2 ref. ③).
3. Mueva la cancela hasta que se engrane el desbloqueo.

**⚠ Antes de restablecer la alimentación al sistema, compruebe que la cancela no pueda moverse manualmente.**

## MANTENIMIENTO

Para asegurar un correcto funcionamiento a lo largo del tiempo y un constante nivel de seguridad es conveniente realizar, con periodicidad semestral, un control general del equipo. En el fascículo "Instrucciones para el uso" se ha preparado un módulo para anotar las intervenciones de mantenimiento.

**⚠ El módulo adjunto para el mantenimiento tiene una finalidad puramente indicativa, y no está excluido que, para garantizar el correcto funcionamiento de la automatización y un constante nivel de seguridad, se requieran operaciones de mantenimiento no indicadas en el módulo.**

## REPARACIONES

El usuario debe abstenerse de intentar reparar o de intervenir directamente, y debe dirigirse exclusivamente a personal cualificado GENIUS o a centros de asistencia GENIUS.

## DEUTSCH

**⚠ Vor der Verwendung des Produkts sind die Anweisungen aufmerksam zu lesen und dann für den eventuellen zukünftigen Bedarf aufzubewahren**

### ALLGEMEINE SICHERHEITSVORSCHRIFTEN

Bei korrekter Installation und sachgemäßer Anwendung gewährleistet die Automation **FALCON M** ein hohes Sicherheitsniveau. Einige einfache Verhaltensregeln können außerdem ungewollte Störungen vermeiden:

- Kinder, Personen oder Dinge dürfen sich niemals in der Nähe der Automation aufhalten, dies ist vor allem während des Betriebs zu vermeiden.
- Funksteuerungen oder andere Impulsgeber sind außerhalb der Reichweite von Kindern aufzubewahren, damit eine ungewollte Betätigung der Automation vermieden wird.
- Kinder dürfen nicht mit der Automation spielen.
- Die Bewegung des Tors darf nicht absichtlich behindert werden.
- Vermeiden, dass Zweige oder Büsche die Bewegung des Tors beeinträchtigen.
- Darauf achten, dass die Leuchtsignalsysteme stets funktionstüchtig und gut sichtbar sind.
- Das Tor darf nur dann mit der Hand betätigt werden, wenn es entriegelt wurde.
- Bei Betriebsstörungen das Tor entriegeln, um den Zugang zu ermöglichen und technische Fachkräfte benachrichtigen.
- Wenn der Handbetrieb eingestellt ist, muss vor der Wiederherstellung des Normalbetriebs die Stromzufuhr zur Anlage unterbrochen werden.
- Keine Änderungen an den Bauteilen des Automationssystems vornehmen.
- Keine Reparaturen oder direkten Arbeiten selbst ausführen und sich nur an Fachkräfte wenden.
- Im Abstand von mindestens 6 Monaten die Funktionstüchtigkeit der Automation, der Sicherheitsvorrichtungen und der Erdung von Fachkräften prüfen lassen.

### BESCHREIBUNG

- Die Automation **FALCON M** ist ideal für die Durchfahrtskontrolle in Wohnbereichen.
- Das Gerät **FALCON M** für Schiebetore ist ein elektromechanischer Antrieb, der die Bewegung über ein Ritzel mit Zahnstange auf den Flügel überträgt.
- Für die detaillierte Betriebsweise des Schiebetors mit den verschiedenen Steuerungslogiken, wenden Sie sich an den mit der Installation beauftragten Techniker.
- Die Automationen enthalten Erfassungsvorrichtungen (Fotozellen), die das erneute Schließen des Tors verhindern, wenn sich ein Hindernis in dem jeweiligen geschützten Bereich befindet.
- Das System gewährleistet die mechanische Verriegelung, wenn der Motor nicht läuft, daher muss kein Schloss eingebaut werden.
- Die Öffnung per Hand ist daher nur mit Hilfe des entsprechenden Entriegelungssystems möglich.
- Der Getriebemotor ist für die sichere Verwendung der Automation mit einer verstellbaren elektronischen Kupplung ausgerüstet.
- Das elektronische Steuergerät ist im Getriebemotor eingebaut.
- Durch eine praktische Entriegelung kann das Tor auch bei Stromausfall

oder Betriebsstörungen betätigt werden.

- Das Leuchtsignal signalisiert die laufende Bewegung des Tors.

### TECHNISCHE DATEN

MODELL	14 M 14 MC	20 M 20 MC	15 M 15 MC
Versorgung (+6% -10%)	230 V~ 50 Hz		115 V~ 60 Hz
Aufgenommene Leistung (W)	650	800	710
Aufgenommene Stromstärke (A)	2.8	3.5	6.7
Elektromotor (Umdrehungen/Min.)	1400		1700
Anlaufkondensator (µF)	16	20	60
Schub auf Ritzel (daN)	110	150	130
Drehmoment (Nm)	35	45	38
Temperaturschutz (°C)	140		
Flügelgewicht max. (Kg)	1400	2000	1500
Art des Ritzels	Z 16 Modul 4		
Geschwindigkeit des Tors (m/Min)	10		11
Höchstlänge des Tors (m)	20		
Art des Endschalters	Magnetisch		
Art der Kupplung	Elektronische Drehmomentüberwachung (Siehe Steuerung)		
Einsatzhäufigkeit (siehe Grafik)	S3 - 40%		
Temperatur am Aufstellungsort (°C)	-20 ÷ +55		
Gewicht Getriebemotor (kg)	14	15	
Schutzart	IP 44		

### HANDBETRIEB

**⚠ Bei der manuellen Entriegelung handelt es sich um eine Vorrichtung, mit der der Antrieb aus dem Tor entfernt und die manuelle Bewegung ermöglicht wird.**

Vor der Betätigung der Entriegelungsvorrichtung die Stromzufuhr zur Anlage mit Hilfe des Fehlerstrom-Schutzschalters vor dem Getriebemotor abschalten.

### DIE ENTRIEGELUNGSVORRICHTUNG DARF NICHT ALS NOTABSCHALTUNG EINGESETZT WERDEN

Sollte es aufgrund von Stromausfall oder Betriebsstörungen der Automation erforderlich sein, das Tor mit der Hand zu betätigen, sind folgende Maßnahmen an der Entriegelungsvorrichtung vorzunehmen:

1. Den entsprechenden, im Lieferumfang enthaltenen Schlüssel in das Schloss einführen (Abb. 1, Bez. ①) und im Uhrzeigersinn entsprechend der Darstellung in Abb. 1, Bez. ② drehen.
2. Das Entriegelungssystem im Uhrzeigersinn um etwa 180° entsprechend der Darstellung in Abb. 1, Bez. ③ drehen.
3. Das Tor mit der Hand öffnen oder schließen.

### WIEDERHERSTELLUNG DES NORMALBETRIEBS

Um zu vermeiden, dass ein ungewollter Impuls das Tor während der

Beweging betätigen kann, ist vor der erneuten Verriegelung des Antriebs die Stromzufuhr zur Anlage zu unterbrechen.

1. Das Entriegelungssystem gegen den Uhrzeigersinn um etwa 180° entsprechend der Darstellung in Abb. 2, Bez. ① drehen.
2. Den Schlüssel gegen den Uhrzeigersinn drehen, Abb. 2 Bez. ② und aus dem Schloss herausziehen, siehe Darstellung in Abb. 2 Bez. ③.
3. Das Tor so weit bewegen, bis die Entriegelung eingreift.

**⚠** **Bevor das System wieder mit Strom versorgt wird, sicherstellen, dass das Tor nicht mit der Hand bewegt werden kann.**

#### WARTUNG

Zur Gewährleistung eines dauerhaft reibungslosen Betriebs und eines konstanten Sicherheitsniveaus sollte im Abstand von jeweils 6 Monaten eine allgemeine Kontrolle der Anlage vorgenommen werden. Im Heft „Gebrauchsan-

weisungen“ ist ein Vordruck für die Aufzeichnung der Wartungsarbeiten enthalten.

**⚠** **Der beiliegende Vordruck für die Wartung dient lediglich als Hilfe. Nicht ausgeschlossen ist, dass zur Gewährleistung des einwandfreien Betriebs der Automation und eines konstanten Sicherheitsniveaus nicht im Vordruck aufgeführte Wartungsarbeiten erforderlich sind.**

#### REPARATUREN

Der Benutzer darf direkt keine Versuche für Reparaturen oder Arbeiten vornehmen und hat sich ausschließlich an qualifiziertes Fachpersonal GENIUS oder an Kundendienstzentren GENIUS zu wenden.

## NEDERLANDS

**⚠** **Lees de instructies aandachtig door alvorens het product te gebruiken, en bewaar ze voor eventuele toekomstige raadpleging**

#### ALGEMENE VEILIGHEIDSVOORSCHRIFTEN

Het automatische systeem **FALCON M** garandeert, als het op correcte wijze is geïnstalleerd en gebruikt, een hoge mate van veiligheid. Daarnaast kunnen een aantal simpele gedragsregels accidentele ongemakken voorkomen:

- Blijf niet in de buurt van het automatische systeem staan, en sta niet toe dat kinderen, personen of voorwerpen er in de buurt staan, vooral als hij in werking is.
- Houd de radio-afstandsbediening en alle andere impulsgevers buiten het bereik van kinderen, om te voorkomen dat het automatische systeem per ongeluk kan worden bediend.
- Sta niet toe dat kinderen met het automatische systeem spelen.
- Houd niet opzettelijk de beweging van de vleugels tegen.
- Zorg dat takken of struiken de beweging van de vleugels niet kunnen hinderen.
- Zorg dat de lichtsignalen altijd goed werken en goed zichtbaar zijn.
- Probeer de poort niet met de hand te bewegen als hij niet eerst ontgrendeld is.
- In geval van storing moet de poort worden ontgrendeld om toegang mogelijk te maken, en wacht op de technische assistentie van een gekwalificeerd technicus.
- Als de handbediende werking is ingesteld, moet de elektrische voeding naar de installatie worden uitgeschakeld alvorens de normale werking te hervatten.
- Voer geen wijzigingen uit op onderdelen die deel uitmaken van het automatische systeem.
- Doe geen pogingen tot reparaties of directe ingrepen, en wend u uitsluitend tot gekwalificeerd personeel.
- Laat de werking van het automatische systeem, de veiligheidsvoorzieningen en de aarding minstens eenmaal per half jaar controleren door gekwalificeerd personeel.

#### BESCHRIJVING

- Het automatische systeem **FALCON M** is ideaal om de toegang van voertuigen in wooncomplexen te controleren.
- **FALCON M** voor schuifpoorten is een elektromechanische aandrijving die de beweging van de vleugel overbrengt door middel van een rondsel met een tandheugel.
- Raadpleeg een installatietechnicus voor het gedetailleerde gedrag van de schuifpoort met de verschillende bedrijfslogica's.
- Automatische systemen hebben voorzieningen die voorwerpen detecteren (fotocellen) die verhinderen dat de poort weer sluit wanneer er zich een obstakel in het door hen beveiligde gebied bevindt.
- Het systeem garandeert de mechanische blokkering wanneer de motor niet in werking is, en daarom is het niet noodzakelijk een vergrendeling te installeren.
- De handbediende opening is dus alleen mogelijk met behulp van het speciale ontgrendelingsmechanisme.
- De motorreductor is uitgerust met een elektronische regelbare koppeling waardoor het automatische systeem veilig kan worden gebruikt.
- De elektronische apparatuur is ingebouwd in de motorreductor.
- Een handig handbediend ontgrendelingsmechanisme zorgt ervoor dat het hek kan worden bewogen in geval van een black-out of een storing.
- Het lichtsignaal geeft aan dat de poort in beweging is.

#### TECHNISCHE EIGENSCHAPPEN

MODEL	14 M 14 MC	20 M 20 MC	15 M 15 MC
Voeding (+6% -10%)	230 V~ 50 Hz		115 V~ 60 Hz
Opgenomen vermogen (W)	650	800	710
Opgenomen stroom (A)	2.8	3.5	6.7
Elektrische motor (toeren/min.)	1400		1700
Aanloopcondensator (µF)	16	20	60
Duwkracht op rondsel (daN)	110	150	130
Koppel (Nm)	35	45	38

FALCON M\_Utente

MODEL	14 M 14 MC	20 M 20 MC	15 M 15 MC
Oververhittingsbeveiliging (°C).	140		
Max. gewicht vleugel (Kg)	1400	2000	1500
Soort rondsel	Z 16 module 4		
Snelheid van de poort (m/min.)	10	11	
Max. lengte poort (m)	20		
Soort eindschakelaar	Magnetisch		
Soort koppeling	Elektrische koppelregeling (Zie besturingseenheid)		
Gebruiks frequentie (zie grafiek)	S3 - 40%		
Omgevingstemperatuur (°C)	-20 ÷ +55		
Gewicht motorreductor (kg)	14	15	
Beschermingsgraad	IP 44		

#### DBEDIENDE WERKING

**⚠** **De handmatige deblokkering is een voorziening waarmee de aandrijving van de poort kan worden losgekoppeld, zodat hij met de hand kan worden bewogen.**

**Schakel, alvorens het ontgrendelingsmechanisme te gebruiken, de spanning naar de installatie uit door op de differentieelschakelaar stroomopwaarts van de motorreductor om te zetten.**

**HET ONTGRENDELINGSMECHANISME MOET NIET ALS EEN NOODSTOP WORDEN BESCHOUWD**

- Als de poort met de hand moet worden bediend omdat de elektrische voeding is uitgevallen of omdat het automatische systeem niet goed werkt, dient het ontgrendelingsmechanisme te worden gebruikt, en wel als volgt:
1. Steek de speciale bijgeleverde sleutel in het slot Fig. 1 Ref. ①, en draai hem met de wijsers van de klok mee zoals aangeduid in Fig. 1 Ref. ②.
  2. Draai het ontgrendelingsmechanisme ongeveer 180° met de wijsers van de klok mee, zoals aangegeven in Fig. 1 Ref. ③.
  3. Open of sluit de poort met de hand.

#### HERVATTING NORMALE WERKING

Om te voorkomen dat de poort tijdens de manoeuvre per ongeluk door een impuls wordt ingeschakeld, moet alvorens de aandrijving opnieuw te vergrendelen eerst de voeding naar de installatie worden uitgeschakeld.

1. Draai het ontgrendelingsmechanisme ongeveer 180° tegen de wijsers van de klok in, zoals aangegeven in Fig. 2 ref. ①.
2. Draai de sleutel tegen de wijsers van de klok in, Fig. 2 ref. ②, en trek hem uit het slot, zoals aangegeven in Fig. 2 ref. ③.
3. Beweeg de poort tot het ontgrendelingsmechanisme aankoppelt.

**⚠** **Controleer, alvorens de voeding naar het systeem weer in te schakelen, of de poort niet met de hand kan worden bewogen.**

#### ONDERHOUD

Om een goede werking op de lange termijn en een constant veiligheidsniveau te garanderen, is het beter om ieder half jaar een algemene controle op de installatie uit te voeren. In het boekje "Gebruikersgids" is een formulier voorgedrukt om onderhoudshandelingen te registreren.

**⚠** **De bijgevoegde onderhoudsmodule dient uitsluitend als indicatie, het is niet uitgesloten dat, om een correcte werking van het automatische systeem en een constant veiligheidsniveau te garanderen, onderhoudshandelingen noodzakelijk zijn die niet in de module zijn aangegeven.**

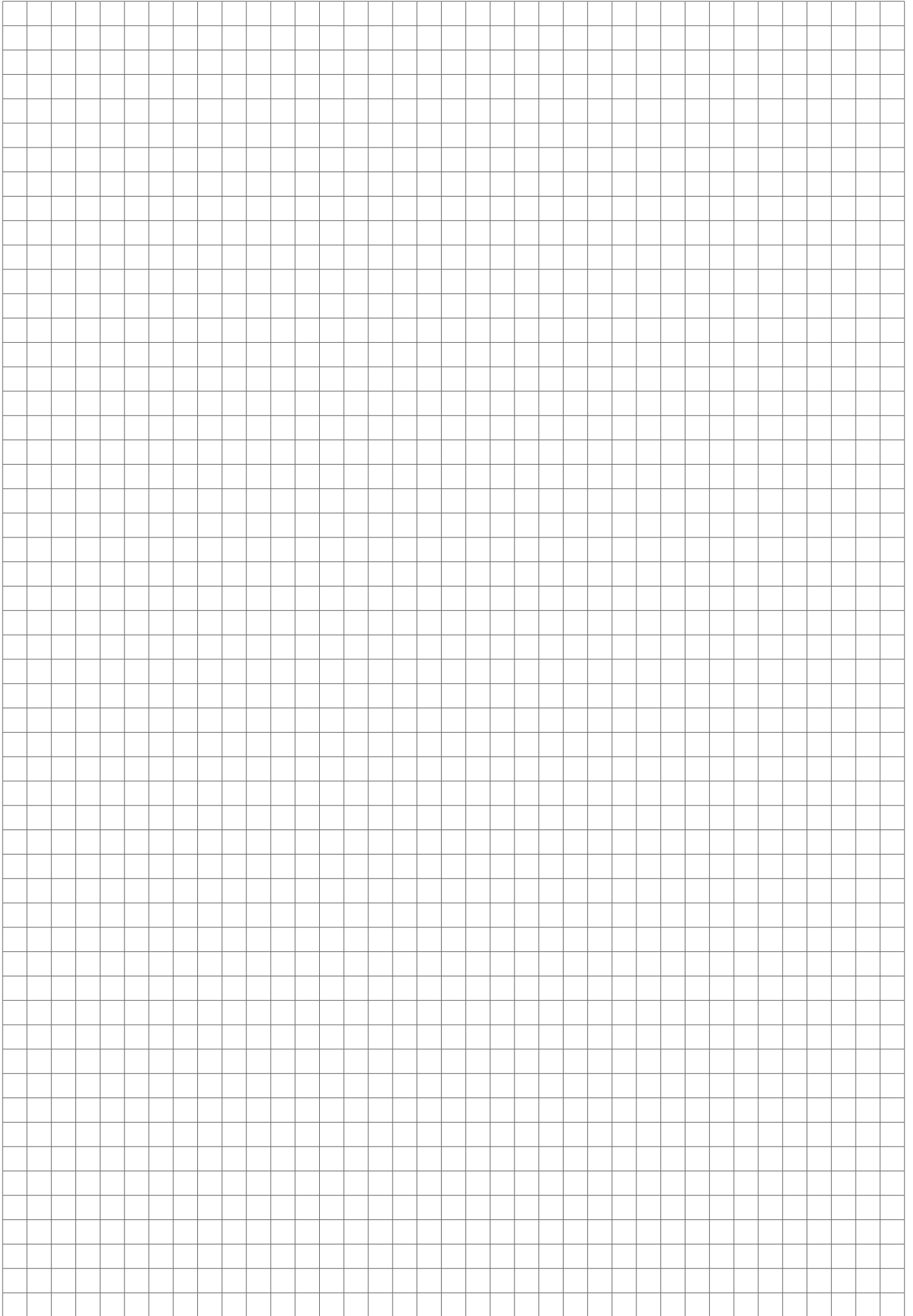
#### REPARATIES

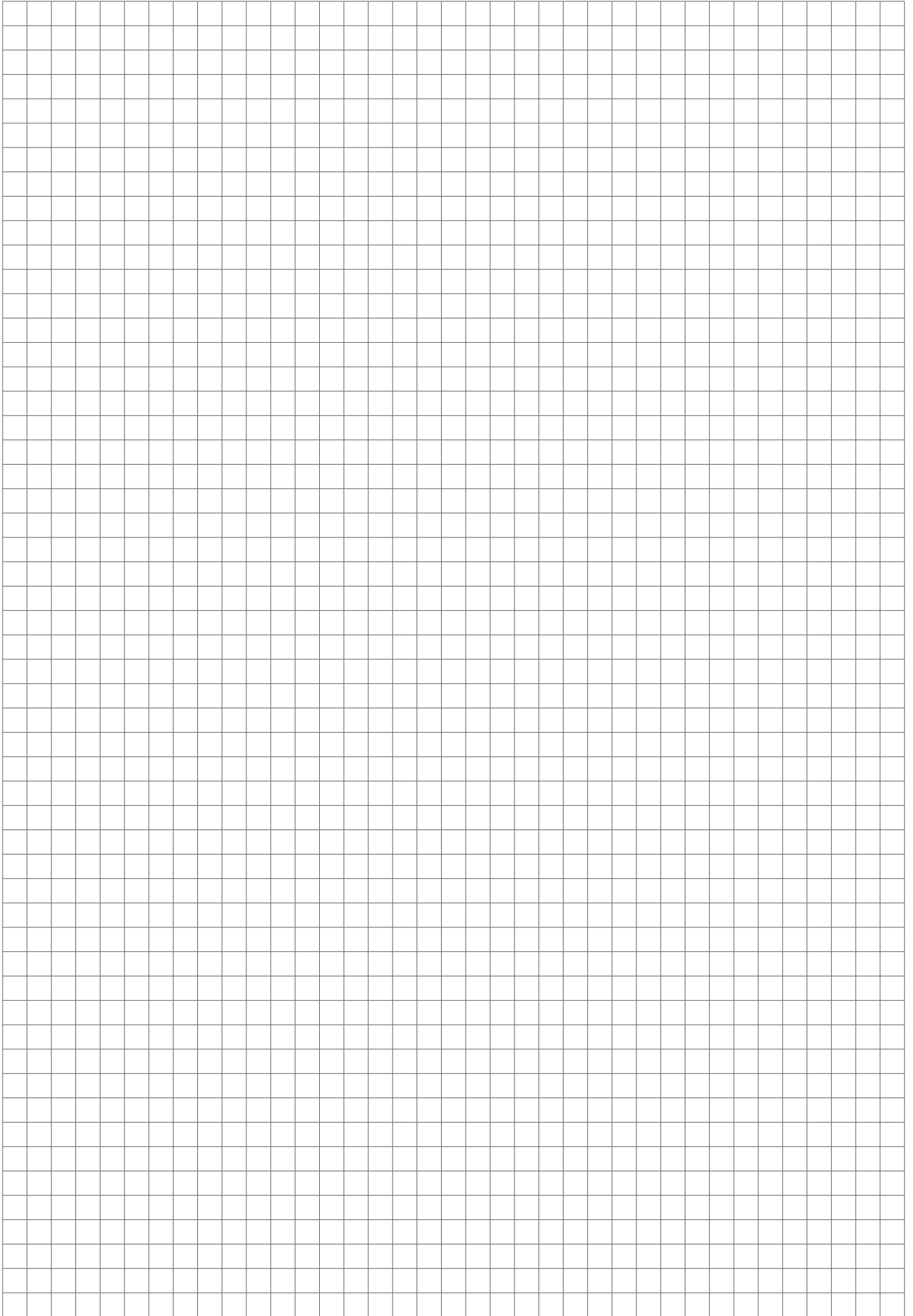
De gebruiker mag zelf geen pogingen ondernemen tot reparaties of andere ingrepen, en dient zich uitsluitend te wenden tot gekwalificeerd en geautoriseerd GENIUS-personeel of een erkend GENIUS-servicecentrum.

**ALLEGATO 1 : PIANO MANUTENZIONE PROGRAMMATA - ENCLOSURE 1 : PROGRAMMED  
 MAINTENANCE SCHEDULE - ANNEXE 1 : PLAN D'ENTRETIEN PROGRAMMÉ - ANEXO 1 : PLAN DE  
 MANTENIMIENTO PROGRAMADO - ANLAGE 1 : PLAN DER PROGRAMMIERTEN WARTUNGSARBEITEN  
 - BIJLAGE 1 – SCHEMA GEPROGRAMMEERD ONDERHOUD**

<b>CONTROLLI SEMESTRALI SIX-MONTHLY CHECKS CONTROLES SEMESTRIELS CONTROLES SEMESTRALES HALBJÄHRLICHE PRÜFUNGEN HALFJAARLIJKE CONTROLES</b>	<b>1°</b>	<b>2°</b>	<b>3°</b>	<b>4°</b>	<b>5°</b>	<b>6°</b>	<b>7°</b>	<b>8°</b>	<b>9°</b>	<b>10°</b>
	_/_/_	_/_/_	_/_/_	_/_/_	_/_/_	_/_/_	_/_/_	_/_/_	_/_/_	_/_/_
Collegamento ed efficacia dell'interruttore differenziale										
Connection and efficiency of safety circuit breaker										
Connexion et efficacité de l'interrupteur différentiel										
Conexión y eficacia del interruptor diferencial										
Anschluss und Funktionstüchtigkeit des Differentialschalters										
Verbinding en werking van de differentieelschakelaar										
Taratura e corretto funzionamento della frizione elettronica										
Setting and correct operation of electronic clutch										
Étalonnage et fonctionnement correct de l'embrayage électronique										
Tarado y correcto funcionamiento del embrague electrónico										
Einstellung und Funktionstüchtigkeit der elektronischen Kupplung										
Afstelling en correcte werking van de elektronische koppeling										
Collegamenti e funzionamento dei dispositivi di sicurezza										
Connections and operation of safety devices										
Connexions et fonctionnement des dispositifs de sécurité										
Conexiones y funcionamiento de los dispositivos de seguridad										
Anschlüsse und Funktionstüchtigkeit der Sicherheitsvorrichtungen										
Aansluitingen en werking van de veiligheidsvoorzieningen										
Collegamento ed efficacia della presa di terra										
Connection and efficiency of earth socket										
Connexion et efficacité de la prise de terre										
Conexión y eficacia de la toma de tierra										
Anschluss und Funktionstüchtigkeit der Erdung										
Aansluiting en werking van de aarding										
Funzionamento del dispositivo di sblocco manuale										
Operation of manual release device										
Fonctionnement du dispositif de déblocage manuel										
Funcionamiento del dispositivo de desbloqueo manual										
Funktionstüchtigkeit der manuellen Freigabevorrichtung										
Werking van het handbediende ontgrendelsysteem										
Funzionamento dei finecorsa										
Operation of limit switches										
Fonctionnement des fins de course										
Funcionamiento de los finales de carrera										
Funktionstüchtigkeit der Endschalter										
Werking van de eindschakelaars										









- de los niños, ya que constituyen fuentes potenciales de peligro.
- Guarden las instrucciones para futuras consultas.
  - Este producto ha sido proyectado y fabricado exclusivamente para la utilización indicada en el presente manual. Cualquier uso diverso del previsto podría perjudicar el funcionamiento del producto y/o representar fuente de peligro.
  - GENIUS declina cualquier responsabilidad derivada de un uso impropio o diverso del previsto.
  - No instalen el aparato en atmósfera explosiva: la presencia de gas o humos inflamables constituye un grave peligro para la seguridad.
  - Los elementos constructivos mecánicos deben estar de acuerdo con lo establecido en las Normas EN 12604 y EN 12605.
  - Para los países no pertenecientes a la CEE, además de las referencias normativas nacionales, para obtener un nivel de seguridad adecuado, deben seguirse las Normas arriba indicadas.
  - GENIUS no es responsable del incumplimiento de las buenas técnicas de fabricación de los cierres que se han de motorizar, así como de las deformaciones que pudieran intervenir en la utilización.
  - La instalación debe ser realizada de conformidad con las Normas EN 12453 y EN 12445. El nivel de seguridad de la automatización debe ser C+D.
  - Quitén la alimentación eléctrica y desconecten las baterías antes de efectuar cualquier intervención en la instalación.
  - Coloquen en la red de alimentación de la automatización un interruptor omnipolar con distancia de apertura de los contactos igual o superior a 3 mm. Se aconseja usar un magnetotérmico de 6A con interrupción omnipolar.
  - Comprueben que la instalación disponga línea arriba de un interruptor diferencial con umbral de 0,03 A.
  - Verifiquen que la instalación de tierra esté correctamente realizada y conecten las partes metálicas del cierre.
  - La automatización dispone de un dispositivo de seguridad antiplastamiento constituido por un control de par. No obstante, es necesario comprobar el umbral de intervención según lo previsto en las Normas indicadas en el punto 10.
  - Los dispositivos de seguridad (norma EN 12978) permiten proteger posibles áreas de peligro de Riesgos mecánicos de movimiento, como por ej. aplastamiento, arrastre, corte.
  - Para cada equipo se aconseja usar por lo menos una señalización luminosa así como un cartel de señalización adecuadamente fijado a la estructura del bastidor, además de los dispositivos indicados en el "16".
  - GENIUS declina toda responsabilidad relativa a la seguridad y al buen funcionamiento de la automatización si se utilizan componentes de la instalación que no sean de producción GENIUS.
  - Para el mantenimiento utilicen exclusivamente piezas originales GENIUS
  - No efectúen ninguna modificación en los componentes que forman parte del sistema de automatización.
  - El instalador debe proporcionar todas las informaciones relativas al funcionamiento del sistema en caso de emergencia y entregar al usuario del equipo el manual de advertencias que se adjunta al producto.
  - No permitan que niños o personas se detengan en proximidad del producto durante su funcionamiento.
  - Mantengan lejos del alcance los niños los teletandos o cualquier otro emisor de impulso, para evitar que la automatización pueda ser accionada involuntariamente.
  - Sólo puede transitarse entre las hojas si la cancela está completamente abierta.
  - El usuario debe abstenerse de intentar reparar o de intervenir directamente, y debe dirigirse exclusivamente a personal cualificado GENIUS o a centros de asistencia GENIUS.
  - Todo lo que no esté previsto expresamente en las presentes instrucciones debe entenderse como no permitido

## DEUTSCH

### HINWEISE FÜR DEN INSTALLATIONSTECHNIKER

#### ALLGEMEINE SICHERHEITSVORSCHRIFTEN



**ACHTUNG!** Um die Sicherheit von Personen zu gewährleisten, sollte die Anleitung aufmerksam befolgt werden. Eine falsche Installation oder ein fehlerhafter Betrieb des Produktes können zu schwerwiegenden Personenschäden führen.

- Bevor mit der Installation des Produktes begonnen wird, sollten die Anleitungen aufmerksam gelesen werden.
- Das Verpackungsmaterial (Kunststoff, Styropor, usw.) sollte nicht in Reichweite von Kindern aufbewahrt werden, da es eine potentielle Gefahrenquelle darstellt.
- Die Anleitung sollte aufbewahrt werden, um auch in Zukunft Bezug auf sie nehmen zu können.
- Dieses Produkt wurde ausschließlich für den in diesen Unterlagen angegebenen Gebrauch entwickelt und hergestellt. Jeder andere Gebrauch, der nicht ausdrücklich angegeben ist, könnte die Unversehrtheit des Produktes beeinträchtigen und/oder eine Gefahrenquelle darstellen.
- Die Firma GENIUS lehnt jede Haftung für Schäden, die durch unsachgemäßen oder nicht bestimmungsgemäßen Gebrauch der Automatik verursacht werden, ab.
- Das Gerät sollte nicht in explosionsgefährdeten Umgebungen installiert werden: das Vorhandensein von entflammenden Gasen oder Rauch stellt ein schwerwiegendes Sicherheitsrisiko dar.
- Die mechanischen Bauelemente müssen den Anforderungen der Normen EN 12604 und EN 12605 entsprechen.
- Für Länder, die nicht der Europäischen Union angehören, sind für die Gewährleistung eines entsprechenden Sicherheitsniveaus neben den nationalen gesetzlichen Bezugsvorschriften die oben aufgeführten Normen zu beachten.
- Die Firma GENIUS übernimmt keine Haftung im Falle von nicht fachgerechten Ausführungen bei der Herstellung der anzutreibenden Schließvorrichtungen sowie bei Deformationen, die eventuell beim Betrieb entstehen.
- Die Installation muß unter Beachtung der Normen EN 12453 und EN 12445 erfolgen. Die Sicherheitsstufe der Automatik sollte C+D sein.
- Vor der Ausführung jeglicher Eingriffe auf der Anlage sind die elektrische Versorgung und die Batterie abzunehmen.
- Auf dem Versorgungsnetz der Automatik ist ein omnipolarer Schalter mit Öffnungsabstand der Kontakte von über oder gleich 3 mm einzubauen. Darüber hinaus wird der Einsatz eines Magnetschutzschalters mit 6A mit omnipolarer Abschaltung empfohlen.
- Es sollte überprüft werden, ob vor der Anlage ein Differentialschalter mit einer Auslöseschwelle von 0,03 A zwischengeschaltet ist.
- Es sollte überprüft werden, ob die Erdungsanlage fachgerecht aufgeführt wurde. Die Metallteile der Schließung sollten an diese Anlage angeschlossen werden.
- Die Automation verfügt über eine eingebaute Sicherheitsvorrichtung für den Quetschschutz, die aus einer Drehmomentkontrolle besteht. Es ist in jedem Falle erforderlich, deren Eingriffsschwelle gemäß der Vorgaben der unter Punkt 10 angegebenen Vorschriften zu überprüfen.

- Die Sicherheitsvorrichtungen (Norm EN 12978) ermöglichen den Schutz eventueller Gefahrenbereiche vor mechanischen Bewegungsrisiken, wie zum Beispiel Quetschungen, Mitschleifen oder Schnittverletzungen.
- Für jede Anlage wird der Einsatz von mindestens einem Leuchtsignal empfohlen sowie eines Hinweisschildes, das über eine entsprechende Befestigung mit dem Aufbau des Tors verbunden wird. Darüber hinaus sind die unter Punkt "16" erwähnten Vorrichtungen einzusetzen.
- Die Firma GENIUS lehnt jede Haftung hinsichtlich der Sicherheit und störungsfreien Betriebs der Automatik ab, soweit Komponenten auf der Anlage eingesetzt werden, die nicht im Hause GENIUS hergestellt wurden.
- Bei der Instandhaltung sollten ausschließlich Originalteile der Firma GENIUS verwendet werden.
- Auf den Komponenten, die Teil des Automationssystems sind, sollten keine Veränderungen vorgenommen werden.
- Der Installateur sollte alle Informationen hinsichtlich des manuellen Betriebs des Systems in Nötfällen liefern und dem Betreiber der Anlage das Anleitungsbuch, das dem Produkt beigelegt ist, übergeben.
- Weder Kinder noch Erwachsene sollten sich während des Betriebs in der unmittelbaren Nähe der Automation aufhalten.
- Die Funksteuerungen und alle anderen Impulsgeber sollten außerhalb der Reichweite von Kindern aufbewahrt werden, um ein versehentliches Aktivieren der Automation zu vermeiden.
- Der Durchgang oder die Durchfahrt zwischen den Flügeln darf lediglich bei vollständig geöffnetem Tor erfolgen.
- Der Benutzer darf direkt keine Versuche für Reparaturen oder Arbeiten vornehmen und hat sich ausschließlich an qualifiziertes Fachpersonal GENIUS oder an Kundendienstzentren GENIUS zu wenden.
- Alle Vorgehensweisen, die nicht ausdrücklich in der vorliegenden Anleitung vorgehen sind, sind nicht zulässig

## NEDERLANDS

### WAARSCHUWINGEN VOOR DE INSTALLATEUR

#### ALGEMENE VEILIGHEIDSVORSCHRIFTEN



**LET OP!** Het is belangrijk voor de veiligheid dat deze hele instructie zorgvuldig wordt opgevolgd. Een onjuiste installatie of foutief gebruik van het product kunnen ernstig persoonlijk letsel veroorzaken.

- Lees de instructies aandachtig door alvorens te beginnen met de installatie van het product.
- De verpakkingsmaterialen (plastic, polystyreen, enz.) mogen niet binnen het bereik van kinderen worden gelaten, want zij vormen een mogelijke bron van gevaar.
- Bewaar de instructies voor raadpleging in de toekomst.
- Dit product is uitsluitend ontworpen en gebouwd voor het doel dat in deze documentatie wordt aangegeven. Elk ander gebruik, dat niet uitdrukkelijk wordt vermeld, zou het product kunnen beschadigen en/of een bron van gevaar kunnen vormen.
- GENIUS aanvaardt geen enkele aansprakelijkheid voor schade die voortvloeit uit oneigenlijk gebruik of ander gebruik dan waarvoor het automatische systeem is bedoeld.
- Installeer het apparaat niet in een explosiegevaarlijke omgeving: de aanwezigheid van ontvlambare gassen of dampen vormt een ernstig gevaar voor de veiligheid.
- De mechanische bouwelementen moeten in overeenstemming zijn met de bepalingen van de normen EN 12604 en EN 12605.
- Voor niet-EEG landen moeten, om een goed veiligheidsniveau te bereiken, behalve de nationale voorschriften ook de bovenstaande normen in acht worden genomen.
- GENIUS is niet aansprakelijk als de regels der goede techniek niet in acht genomen zijn bij de bouw van het sluitwerk dat gemotoriseerd moet worden, noch voor vervormingen die zouden kunnen ontstaan bij het gebruik.
- De installatie dient te geschieden in overeenstemming met de normen EN 12453 en EN 12445. Het veiligheidsniveau van het automatische systeem moet C+D zijn.
- Alvorens ingrepen te gaan verrichten op de installatie moet de elektrische voeding worden weggenomen en moeten de batterijen worden afgekoppeld.
- Zorg op het voedingsnet van het automatische systeem voor een meerpolige schakelaar met een opening tussen de contacten van 3 mm of meer. Het wordt geadviseerd een magnetothermische schakelaar van 6A te gebruiken met meerpolige onderbreking.
- Controleer of er bovenstrooms van de installatie een differentieelschakelaar is geïnstalleerd met een limiet van 0,03 A.
- Controleer of de aardingsinstallatie vakkundig is aangelegd en sluit er de metalen delen van het sluitsysteem op aan.
- Het automatische systeem beschikt over een intrinsieke beveiliging tegen inklemming, bestaande uit een controle van het koppel. De inschakellimiet hiervan dient echter te worden gecontroleerd volgens de bepalingen van de normen die worden vermeld onder punt 10.
- De veiligheidsvoorzieningen (norm EN 12978) maken het mogelijk eventuele gevaarlijke gebieden te beschermen tegen Mechanische gevaren door beweging, zoals bijvoorbeeld inklemming, meesleuren of amputatie.
- Het wordt voor elke installatie geadviseerd minstens één lichtsignaal te gebruiken alsook een waarschuwingbord dat goed op de constructie van het hang- en sluitwerk dient te worden bevestigd, afgezien nog van de voorzieningen die genoemd zijn onder punt "16".
- GENIUS aanvaardt geen enkele aansprakelijkheid voor wat betreft de veiligheid en de goede werking van het automatische systeem, als er in de installatie gebruik gemaakt wordt van componenten die niet door GENIUS zijn geproduceerd.
- Gebruik voor het onderhoud uitsluitend originele GENIUS-onderdelen.
- Verricht geen wijzigingen op componenten die deel uitmaken van het automatische systeem.
- De installateur dient alle informatie te verstrekken over de handbediening van het systeem in noodgevallen, en moet de gebruiker van de installatie het bij het product geleverde boekje met aanwijzingen overhandigen.
- Sta het niet toe dat kinderen of volwassenen zich ophouden in de buurt van het product terwijl dit in werking is.
- Houd radio-afstandsbedieningen of alle andere impulsgevers buiten het bereik van kinderen, om te voorkomen dat het automatische systeem onopzettelijk kan worden aangedreven.
- Ga alleen tussen de vleugels door als het hek helemaal geopend is.
- De gebruiker mag zelf geen pogingen ondernemen tot reparaties of andere directe ingrepen, en dient zich uitsluitend te wenden tot gekwalificeerd en geautoriseerd GENIUS-personeel of een erkend GENIUS-servicecentrum.
- Alles wat niet uitdrukkelijk in deze instructies wordt aangegeven, is niet toegestaan

**GENIUS<sup>®</sup>**

Sede legale: FAAC S.p.A. Soc. Unipersonale  
Via Calari, 10 - 40069 Zola Predosa BOLOGNA - ITALY  
Tel. +39 051 61724 - Fax +39 051 09 57 820  
[www.geniusg.com](http://www.geniusg.com)

