



P Clip with L Bracket

For Signaline Linear Heat Detectors



Compatible with Signaline HD & FT

Rapid installation

Resistant to oils and greases

Stainless steel and nylon construction

Fire
detection



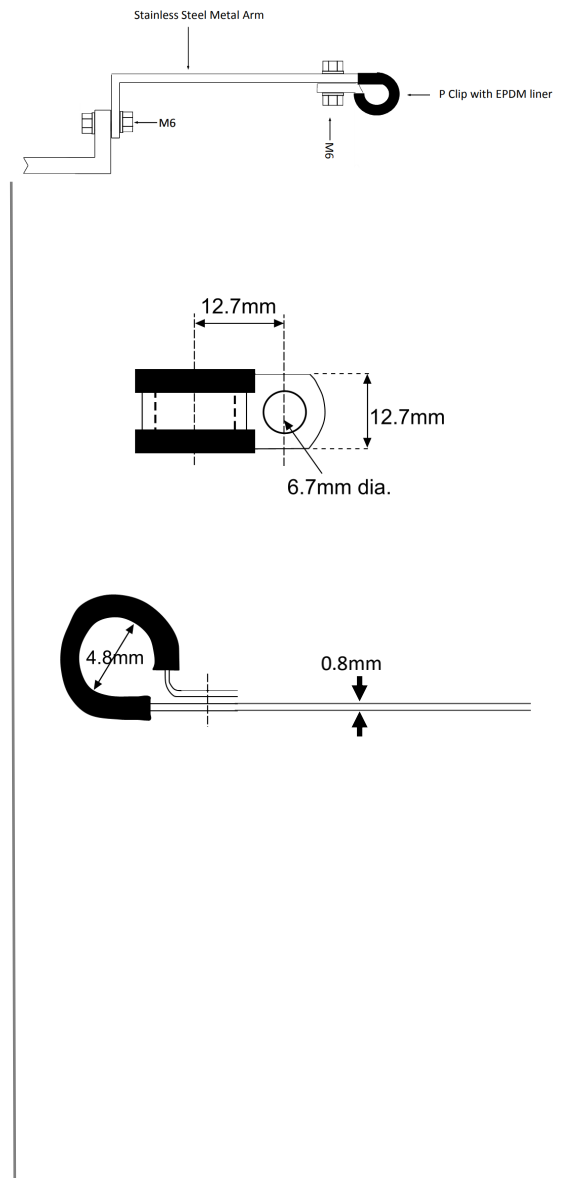
Signaline





| | |
|--------------------|--|
| Model | Signaline P Clip with L Bracket |
| Dimensions | 205mm x 11mm x 40mm |
| Pack size | 100 clips per pack. |
| Pack weight | approx. 1kg |
| Mounting | Wall or ceiling |
| Material | Clip: Stainless steel Insulator: UV & ozone proof nylon |
| Colour | Black and metallic |

Fixing screws not included.



Visit Signaline.com for our full range of heat detection solutions