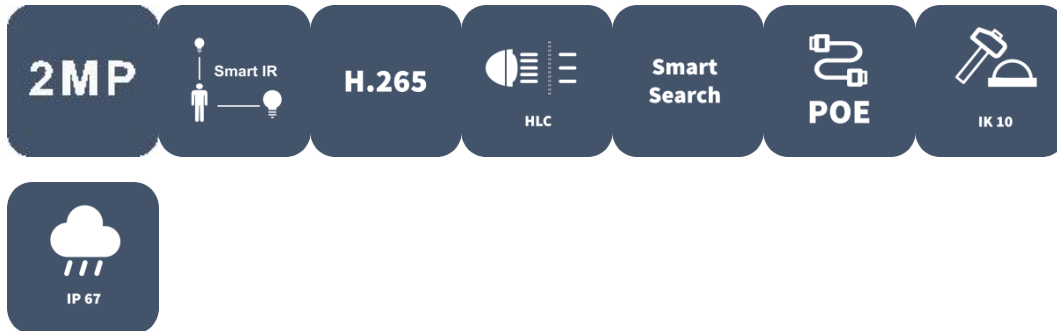


2MP HD IR Fixed Dome Network Camera

IPC322LB-SF28K-A



Features

- High quality image with 2MP, 1/2.9"CMOS sensor
- 2MP (1920*1080)@30/25fps; 720P (1280*720)@30/25fps
- Ultra H.265,H.265, H.264
- Smart IR, up to 30m (98ft) IR distance
- Day/night functionality
- 2D/3D DNR (Digital Noise Reduction)
- Supports Micro SD card
- DC12V or PoE(IEEE 802.3af) power supply
- IP67 protection
- IK10 protection
- 2-Axis

Specifications

Camera	Description
Max Resolution	2MP
Sensor	1/2.9" CMOS
Min. Illumination	Colour: 0.01 lux (F2.0, AGC ON) 0 lux with IR on
Day/Night	IR-cut filter with auto switch (ICR)
Shutter	Auto/Manual, 1 ~ 1/100000s
Adjustment Angle	Pan: 0° ~ 355°, Tilt: 0° ~ 75°
S/N	>52dB
WDR	DWDR
Lens	Description
Focal Length	2.8 mm
Iris Type	Fixed
Iris	F2.0
Field of View (H)	101.1°
Field of View (V)	55.0°
Field of View (D)	111.0°
DORI	Description
DORI Distance (Lens)	2.8mm
DORI Distance (Detect)	45.0m(147.6ft)
DORI Distance (Observe)	18.0m(59.1ft)
DORI Distance (Recognize)	9.0m(29.5ft)
DORI Distance (Identify)	4.5m(14.8ft)
Illuminator	Description
Supplemental Light	IR
Illumination Distance (IR)	30 m (98.4 ft)
Wavelength	850 nm
IR On/Off Control	Auto/Manual
Video	Description
Video Compression	Ultra 265; H.265; H.264

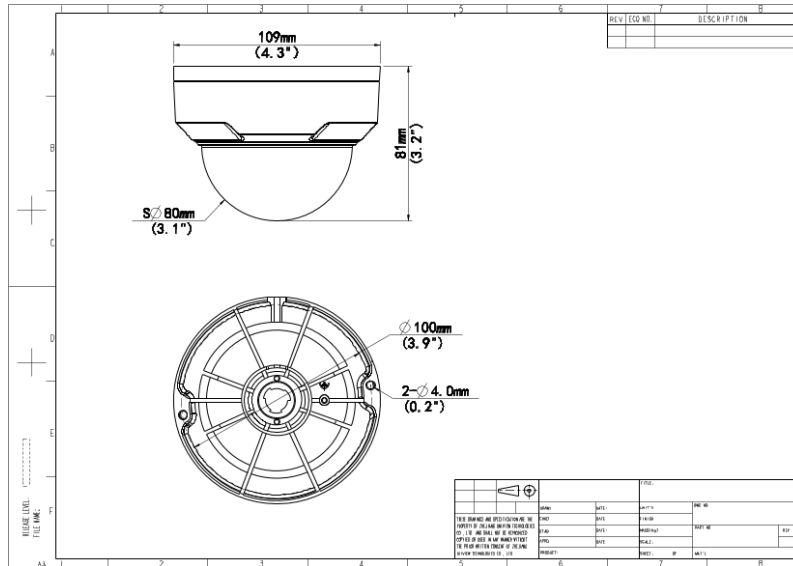
H.264 Code Profile	Baseline profile, Main profile, High profile
Frame Rate	Main Stream: 2MP (1920*1080),Max 30fps; 720P (1280*720),Max 30fps Sub Stream: D1 (720*576), Max 30fps; 640*360,Max 30fps; 2CIF(704*288), Max 30fps; CIF(352*288), Max 30fps
Video Bit Rate	128 Kbps ~ 6144 Kbps
U-code	Support (Main stream)
OSD	Up to 4 OSDs
Privacy Mask	Up to 4 areas
ROI	Support
Video Stream	Dual Streams
Image	Description
White Balance	Auto; Outdoor; Fine Tune; Sodium Lamp; Locked; Auto2
Digital Noise Reduction	2D/3D DNR
Smart IR	Support
Flip	Normal; Flip Vertical; Flip Horizontal; 180°
Dewarping	N/A
HLC	Support
BLC	Support
Defog	Digital Defog
Events	Description
Basic Detection	Motion Detection
General Function	Watermark; IP Address Filtering; Access Policy; ARP Protection; RTSP Authentication; User Authentication; HTTP Authentication
Storage	Description
Edge Storage	Micro SD, up to 128 GB
Network	Description
Protocols	IPv4; IGMP; ICMP; ARP; TCP; UDP; DHCP; RTP; RTSP; RTCP; RTMP; DNS; DDNS; NTP; UPnP; HTTP; HTTPS; SSL/TLS
Compatible Integration	ONVIF (Profile S, Profile G, Profile T); API; SDK
User/Host	Up to 32 users, 2 user levels: administrator and common user
Security	Password Protection; Strong Password; HTTPS Encryption; Export Operation Logs; Basic and Digest Authentication for RTSP; Digest Authentication for HTTP; WSSE and Digest

	Authentication for ONVIF
Client	UNV-Link; UNV-Link Pro; EZStation
Web Browser	Plug-in required live view: IE 10 and above, Chrome 45 and above, Firefox 52 and above, Edge 79 and above; Plug-in free live view: Chrome 57.0 and above, Firefox 58.0 and above, Edge 16 and above
Interface	Description
Audio I/O	N/A
Alarm I/O	N/A
Serial Port	N/A
Built-in Mic	N/A
Built-in Speaker	N/A
WIFI	N/A
Network	1 x RJ45 10M/100M Base-TX Ethernet
Video Output	N/A
Certification	Description
EMC	CE-EMC (EN 55032, EN 61000-3-3, EN IEC 61000-3-2, EN 55035) FCC (FCC 47 CFR part15 B)
Safety	CE LVD (EN 62368-1) CB (IEC 62368-1) UL/CUL (UL 62368-1, CAN/CSA C22.2 No. 62368-1)
Environment	CE-RoHS (2011/65/EU;(EU)2015/863); WEEE (2012/19/EU);
Protection	IP67 (IEC 60529) IK10 (IEC 62262)
General	Description
Power	DC 12V ± 25%, PoE (IEEE 802.3af)
Power Interface	Ø 5.5 mm coaxial power plug
Dimensions	Ø109 x 81mm (Ø4.3" x 3.2") (Ø x H)
Weight	0.36kg(0.79lb)
Material	Metal + Plastic
Working Environment	-30 °C ~ 60 °C (-22 °F ~ 140 °F), Humidity: ≤95% RH (non-condensing)
Storage Environment	-30 °C ~ 60 °C (-22 °F ~ 140 °F), Humidity: ≤95% RH (non-condensing)
Surge Protection	4KV
Reset Button	N/A

Web Client Language

1 Language
English

Dimensions



Accessories

TR-JB03-G-IN

Junction Box for Mini Fix-dome(Support wiring from behind)



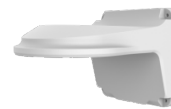
TR-JB07/WM03-G-IN

Wall Mounting Assembling Bracket For 32 Fix-dome&Mini Fix-dome&Plastic Turret Camera



TR-WM03-D-IN

Wall Mounting Bracket for 32 Fix-dome&Mini Fix-dome&Plastic Turret Camera



TR-UM06-E-IN

Slant Mounting Bracket for Fixed Dome



TR-A01-IN

NPT 3/4" Waterproof Cable Gland



TR-UP06-IN

Universal Pole Mounting Bracket



TR-UC08-C

Bullet&Dome Corner Mounting Bracket
et



TR-SE24-IN

Dome Pendent Mounting Pole 200m
m



TR-SE24-A-IN

Dome Pendent Mounting Pole 500m
m



TR-CM24-IN

Dome Pendent Mounting Bracket(Ind
oor)



Zhejiang Uniview Technologies Co., Ltd.

No. 369, Xietong Road, Xixing Sub-district, Binjiang District, Hangzhou City, 310051, Zhejiang Province, China (Zhejiang) Pilot Free Trade Zone, China

Email: overseasbusiness@uniview.com; globalsupport@uniview.com

<http://www.uniview.com>

©2023-2024 Zhejiang Uniview Technologies Co., Ltd. All rights reserved.

*Product specifications and availability are subject to change without notice.

*Despite our best efforts, technical or typographical errors may exist in this document. Uniview cannot be held responsible for any such errors and reserves the right to change the contents of this document without prior notice.