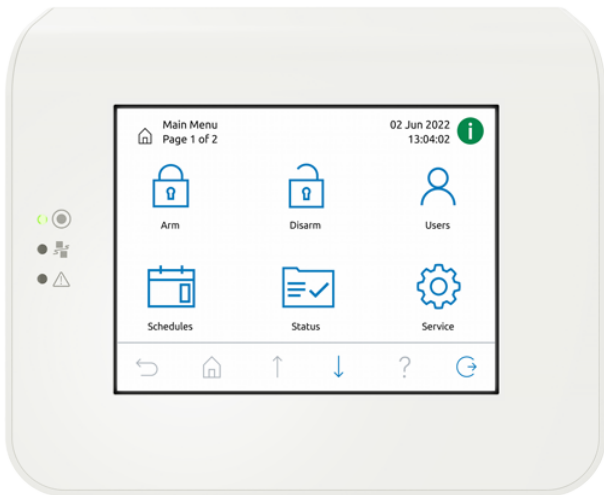


IUI-MAP0001-3 MAP Touch keypad 5000

Modular Alarm Platform 5000



This easy to use keypad gives users access to system functions through an engaging interface with intuitive icons. Users directly touch the icons on the screen to arm, disarm, or select other menu options. Text is shown in language based on the user's login.

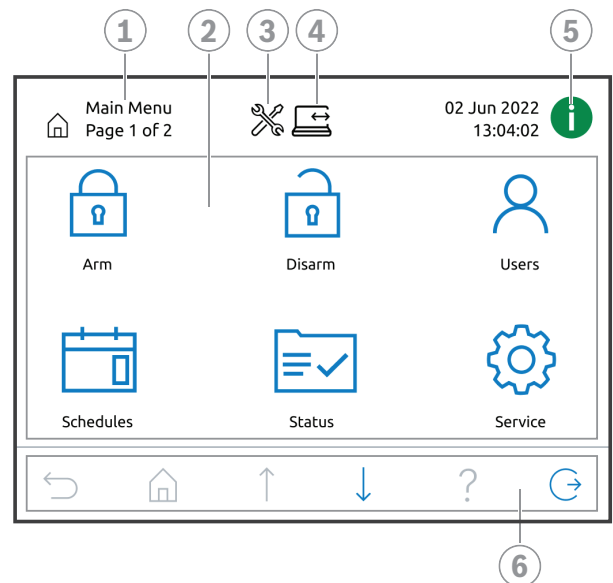


- ▶ Durable touch screen - 14.5 cm (5.7 in.) LCD with adjustable LED backlight
- ▶ Graphic interface (16-bit vivid color with 320 x 240 pixel resolution) consisting of intuitive icons and menus
- ▶ Language option, individually selectable by user
- ▶ Built-in speaker with adjustable volume
- ▶ No exposed components when accessing terminals; all wiring in base with snap-in terminal connections

System overview

Keypad graphic interface

Main menu - screen 1



Element	Component	Description
1	Screen name	This information identifies the active screen.

Element	Component	Description
2	Menu icons	These icons are used to perform tasks.
3	Installer mode icon	This icon indicates that the control panel is in installer mode.
4	RPS connected icon	This icon indicates that Remote Programming Software for MAP (RPS for MAP) is connected to the control panel.
5	Information icon	This icon is used to view additional system information and to clear events, alarms or troubles. Flashing red: not yet cleared system events and alarms Flashing yellow: not yet cleared system troubles Green: no additional system information available
6	Navigation bar	These icons are used to navigate through the system, to find tasks or to view system information. Grayed out icons are not activated.

For further information on navigation, refer to the MAP touch keypad 5000 User manual.

Additional power

To provide additional power for remote keypads, use compatible power supply application.

Functions

Touch Screen

The keypad has a resistive touch screen, which allows the user to use it directly as an input device without the static nature of physical keys. This provides a more dynamic and intuitive interaction with graphics and icons.

The encapsulated electronic assembly protects against physical damage during handling and installation.

Audible Tones

The keypad has a speaker and generates the following tones:

- **Accepted Button Press Tone:** Acknowledges when a user makes a selection by pressing an image on the touch screen.
- **Invalid Tone:** Indicates if the user touches an inactive button image or an area without a button image.
- **Entry Delay Tone:** Notifies the user to disarm the system within a specified programmable time period.
- **Exit Delay Tone:** Notifies the user that the system is preparing to arm within a specified programmable time period.
- **Intrusion Alarm Tone:** Indicates an alarm condition.

- **Intrusion Supervisory Tone:** Indicates a supervisory point trouble condition.
- **Intrusion Trouble Tone:** Indicates a point trouble condition.
- **Chime Tone:** Indicates a point activation.
- **System Trouble Tone:** Indicates a system trouble condition such as a main power failure.

Audio and visual controls

The keypad has an integrated volume and brightness control. Because each keypad is individually adjustable, changing the volume or brightness on one keypad does not affect another keypad on the same system. The volume adjustment only affects the volume of the keypad, not the volume of alarms or trouble sounds.

Languages

For each user, a preferred language is selected when the user is created. When the user logs in, the preferred language is used at the keypad.

Tamper Input

The keypad enclosure has a built-in tamper switch to detect wall or cover removal.

Communication with Software Packages

The MAP system allows separate communication with the following:

- **Management systems**

The system can be integrated into different management systems over the REST based API - Open Intrusion Interface (OII).

- **Remote Programming Software for MAP (RPS for MAP)**

Programming and diagnostic software for MAP products that provides remote programming, record storage, remote control, and diagnostics options. Use of RPS for MAP is necessary to configure MAP5000 Panels, MAP5000 Keypads, and MAP peripherals.

Regulatory information

OSS information:

MAP5000 Panels, MAP5000 Keypads, and RPS for MAP contain OSS components. For information on software packages, please refer to: [OSS used in Bosch products](#).

Region	Regulatory compliance/quality marks	
Europe	CE	
	EN-ST	EN-ST-000296 MAP 5000
	EN50131	G111040 Grade 3
Germany	VdS	G111040 VdS 2252, Class C
	VdS-S	S 112016

Region	Regulatory compliance/quality marks
Great Britain	UKCA

Installation/configuration notes

Compatibility Information

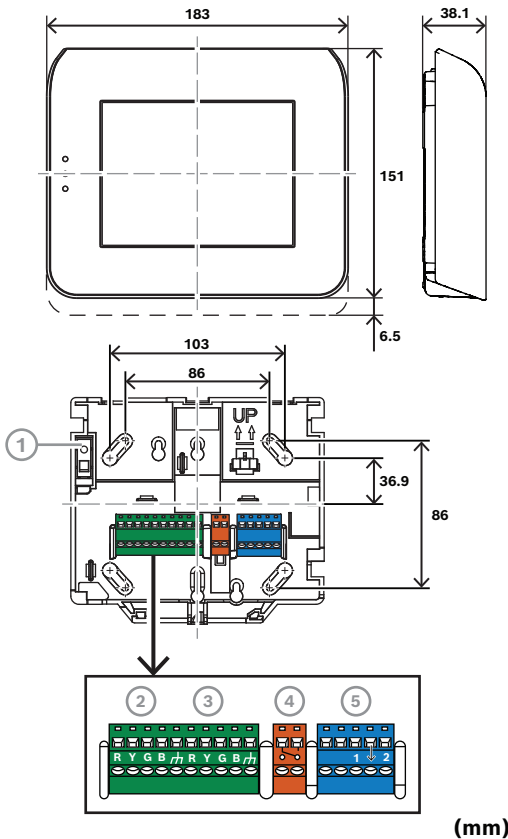
Control Panels MAP 5000 main panels (ICP-MAP5000-2, ICP-MAP5000-COM, ICP-MAP5000-S, ICP-MAP5000-SC)

Mounting Considerations

- Leave space at the bottom of the keypad in order to unlock and open the plastic enclosure easily. A recommended amount of space is approximately 80 mm (3 in.).
- Do not mount the keypad in a location exposed to direct sunlight. Direct sunlight can interfere with screen visibility.
- Do not mount the keypad in damp locations.

Terminals and Connectors

The keypad has a plastic enclosure. The terminal blocks and system connectors attached to the base are accessible by removing the plastic cover.



The module has 17 terminals.

1. Wall tamper switch
2. Bosch Data Bus connector

3. Bosch Data Bus connector
4. Terminals for the relay output. Relay Form A Output (pin: 1-NO, 2-COM) - currently not enabled
5. Terminals for the addressable inputs - currently not enabled

Parts included

Quantity	Component
1	Touch keypad
1	Hardware pack
2	Quick user guide

Technical specifications

Electrical

Operating voltage (VDC)	16 VDC – 29 VDC
Nominal voltage (VDC)	28 VDC

Rated current in mA at 28 VDC

Start-up	250
Alarm	175
Idle screen	100
Dark idle screen	60

Mechanical

Dimensions (H x W x D) (mm)	151 mm x 183 mm x 38 mm
Weight (g)	600 g
Material	Plastic (ABS)
Material finish	Textured paint
Color	White
LED color	Red; Yellow; Green
Connection type	4-wire Bosch data bus, 2 sets of terminals for daisy chain in/out wiring

User interface

Display type	TFT
Display size (cm)	14.50 cm

Aspect ratio	4 : 3
Display resolution (pixels)	320 x 240 px
Color depth	16-bit
Backlight	White LED with adjustable brightness (active and idle)

Environmental

Operating relative humidity, condensing (%)	5% – 95%
Operating temperature (°C)	-10 °C – 55 °C
Storage temperature (°C)	-20 °C – 60 °C
Usage	Indoor
IP rating	IP31
Impact protection	IK06
Environmental class (EN 50130-5)	II
Environmental class (VdS 2110)	II
Design types as per EN 50131	B

Ordering information

IUI-MAP0001-3 MAP Touch keypad 5000

Graphical color touch screen with adjustable backlight;
built-in speaker with adjustable volume
Order number **IUI-MAP0001-3 | F.01U.396.542**

Represented by:

Europe, Middle East, Africa:
Bosch Security Systems B.V.
P.O. Box 80002
5600 JB Eindhoven, The Netherlands
www.boschsecurity.com/xc/en/contact/
www.boschsecurity.com

Germany:
Bosch Sicherheitssysteme GmbH
Robert-Bosch-Platz 1
D-70839 Gerlingen
www.boschsecurity.com

North America:
Bosch Security Systems, LLC
130 Perinton Parkway
Fairport, New York, 14450, USA
www.boschsecurity.com

Asia-Pacific:
Robert Bosch (SEA) Pte Ltd, Security Systems
11 Bishan Street 21
Singapore 573943
www.boschsecurity.com/xc/en/contact/
www.boschsecurity.com