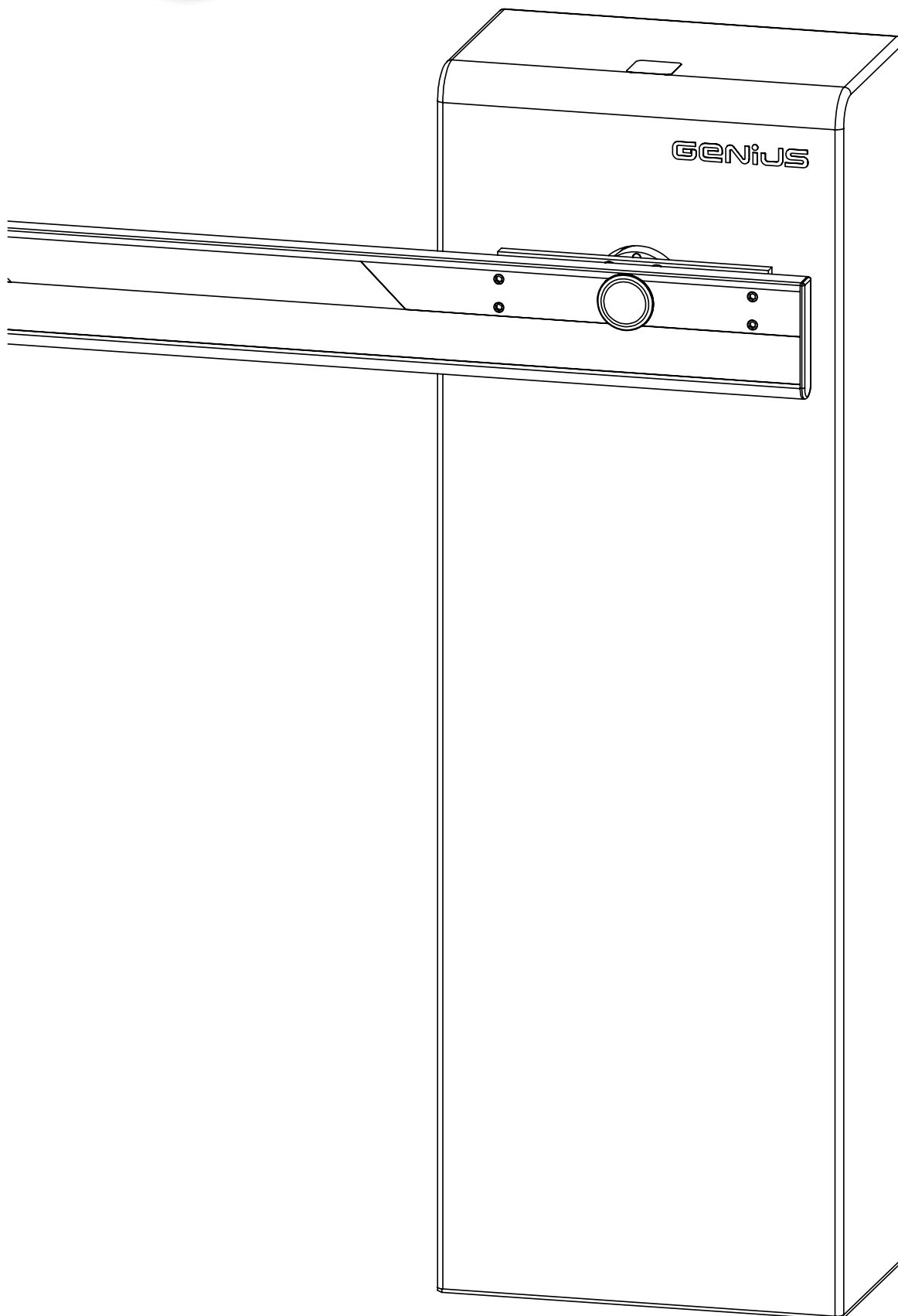




GENIUS®

AUTOMATISMI PER CANCELLI



SPIN

GUIDA PER L'INSTALLATORE - GUIDE FOR THE INSTALLER
GUIDE POUR L'INSTALLATEUR - GUÍA PARA EL INSTALADOR
LEITFADEN FÜR DEN INSTALLATEUR - GIDS VOOR DE INSTALLATEUR



ITALIANO

AVVERTENZE PER L'INSTALLATORE OBBLIGHI GENERALI PER LA SICUREZZA



ATTENZIONE! È importante per la sicurezza delle persone seguire attentamente tutta l'istruzione. Una errata installazione o un errato uso del prodotto può portare a gravi danni alle persone.

1. Leggere attentamente le istruzioni prima di iniziare l'installazione del prodotto.
2. I materiali dell'imballaggio (plastica, polistirolo, ecc.) non devono essere lasciati alla portata dei bambini in quanto potenziali fonti di pericolo.
3. Conservare le istruzioni per riferimenti futuri.
4. Questo prodotto è stato progettato e costruito esclusivamente per l'utilizzo indicato in questa documentazione. Qualsiasi altro utilizzo non espressamente indicato potrebbe pregiudicare l'integrità del prodotto e/o rappresentare fonte di pericolo.
5. GENIUS declina qualsiasi responsabilità derivata dall'uso improprio o diverso da quello per cui l'automatismo è destinato.
6. Non installare l'apparecchio in atmosfera esplosiva: la presenza di gas o fumi infiammabili costituisce un grave pericolo per la sicurezza.
7. Gli elementi costruttivi meccanici devono essere in accordo con quanto stabilito dalle Norme EN 12604 e EN 12605.
8. Per i Paesi extra-CEE, oltre ai riferimenti normativi nazionali, per ottenere un livello di sicurezza adeguato, devono essere seguite le Norme sopra riportate.
9. GENIUS non è responsabile dell'inosservanza della Buona Tecnica nella costruzione delle chiusure da motorizzare, nonché delle deformazioni che dovessero intervenire nell'utilizzo.
10. L'installazione deve essere effettuata nell'osservanza delle Norme EN 12453 e EN 12445. Il livello di sicurezza dell'automazione deve essere C+D.
11. Prima di effettuare qualsiasi intervento sull'impianto, togliere l'alimentazione elettrica e scollegare le batterie.
12. Prevedere sulla rete di alimentazione dell'automazione un interruttore onnipolare con distanza d'apertura dei contatti uguale o superiore a 3 mm. È consigliabile l'uso di un magnetotermico da 6A con interruzione onnipolare.
13. Verificare che a monte dell'impianto vi sia un interruttore differenziale con soglia da 0,03 A.
14. Verificare che l'impianto di terra sia realizzato a regola d'arte e collegarvi le parti metalliche della chiusura.
15. L'automazione dispone di una sicurezza intrinseca antischiacciamento costituita da un controllo di coppia. E' comunque necessario verificarne la sogli di intervento secondo quanto previsto dalle Norme indicate al punto 10.
16. I dispositivi di sicurezza (norma EN 12978) permettono di proteggere eventuali aree di pericolo da Rischi meccanici di movimento, come ad Es. schiacciamento, convogliamento, cessoamento.
17. Per ogni impianto è consigliato l'utilizzo di almeno una segnalazione luminosa nonché di un cartello di segnalazione fissato adeguatamente sulla struttura dell'infisso, oltre ai dispositivi citati al punto "16".
18. GENIUS declina ogni responsabilità ai fini della sicurezza e del buon funzionamento dell'automazione, in caso vengano utilizzati componenti dell'impianto non di produzione GENIUS.
19. Per la manutenzione utilizzare esclusivamente parti originali GENIUS.
20. Non eseguire alcuna modifica sui componenti facenti parte del sistema d'automazione.
21. L'installatore deve fornire tutte le informazioni relative al funzionamento manuale del sistema in caso di emergenza e consegnare all'Utente utilizzatore dell'impianto il libretto d'avvertenze allegato al prodotto.
22. Non permettere ai bambini o persone di sostare nelle vicinanze del prodotto durante il funzionamento.
23. L'applicazione non può essere utilizzata da bambini, da persone con ridotte capacità fisiche, mentali, sensoriali o da persone prive di esperienza o del necessario addestramento.
24. Tenere fuori dalla portata dei bambini radiocomandi o qualsiasi altro datore di impulso, per evitare che l'automazione possa essere azionata involontariamente.
25. Il transito tra le ante deve avvenire solo a cancello completamente aperto.
26. L'utente utilizzatore deve astenersi da qualsiasi tentativo di riparazione o d'intervento e deve rivolgersi solo ed esclusivamente a personale qualificato GENIUS o centri d'assistenza GENIUS.
27. Tutto quello che non è previsto espressamente in queste istruzioni non è permesso.

ENGLISH

IMPORTANT NOTICE FOR THE INSTALLER GENERAL SAFETY REGULATIONS



ATTENTION! To ensure the safety of people, it is important that you read all the following instructions. Incorrect installation or incorrect use of the product could cause serious harm to people.

1. Carefully read the instructions before beginning to install the product.
2. Do not leave packing materials (plastic, polystyrene, etc.) within reach of children as such materials are potential sources of danger.
3. Store these instructions for future reference.
4. This product was designed and built strictly for the use indicated in this documentation. Any other use, not expressly indicated here, could compromise the good condition/operation of the product and/or be a source of danger.
5. GENIUS declines all liability caused by improper use or use other than that for which the automated system was intended.
6. Do not install the equipment in an explosive atmosphere: the presence of inflammable gas or fumes is a serious danger to safety.
7. The mechanical parts must conform to the provisions of Standards EN 12604 and EN 12605.
8. For non-EU countries, to obtain an adequate level of safety, the Standards mentioned above must be observed, in addition to national legal regulations.
9. GENIUS is not responsible for failure to observe Good Technique in the construction of the closing elements to be motorised, or for any deformation that may occur during use.
10. The installation must conform to Standards EN 12453 and EN 12445. The safety level of the automated system must be C+D.
11. Before attempting any job on the system, cut out electrical power and disconnect the batteries.
12. The mains power supply of the automated system must be fitted with an all-pole switch with contact opening distance of 3mm or greater. Use of a 6A thermal breaker with all-pole circuit break is recommended.
13. Make sure that a differential switch with threshold of 0.03A is fitted upstream of the system.
14. Make sure that the earthing system is perfectly constructed, and connect metal parts of the means of the closure to it.
15. The automated system is supplied with an intrinsic anti-crushing safety device consisting of a torque control. Nevertheless, its tripping threshold must be checked as specified in the Standards indicated at point 10.
16. The safety devices (EN 12978 standard) protect any danger areas against mechanical movement Risks, such as crushing, dragging, and shearing.
17. Use of at least one indicator-light is recommended for every system, as well as a warning

sign adequately secured to the frame structure, in addition to the devices mentioned at point "16".

18. GENIUS declines all liability as concerns safety and efficient operation of the automated system, if system components not produced by GENIUS are used.
19. For maintenance, strictly use original parts by GENIUS.
20. Do not in any way modify the components of the automated system.
21. The installer shall supply all information concerning manual operation of the system in case of an emergency, and shall hand over to the user the warnings handbook supplied with the product.
22. Do not allow children or adults to stay near the product while it is operating.
23. The application cannot be used by children, by people with reduced physical, mental, sensorial capacity, or by people without experience or the necessary training.
24. Keep remote controls or other pulse generators away from children, to prevent the automated system from being activated involuntarily.
25. Transit through the leaves is allowed only when the gate is fully open.
26. The User must not in any way attempt to repair or to take direct action and must solely contact qualified GENIUS personnel or GENIUS service centres.
27. Anything not expressly specified in these instructions is not permitted.

FRANÇAIS

CONSIGNES POUR L'INSTALLATEUR RÈGLES DE SÉCURITÉ



ATTENTION! Il est important, pour la sécurité des personnes, de suivre à la lettre toutes les instructions. Une installation erronée ou un usage erroné du produit peut entraîner de graves conséquences pour les personnes.

1. Lire attentivement les instructions avant d'installer le produit.
2. Les matériaux d'emballage (matière plastique, polystyrène, etc.) ne doivent pas être laissés à la portée des enfants car ils constituent des sources potentielles de danger.
3. Conserver les instructions pour les références futures.
4. Ce produit a été conçu et construit exclusivement pour l'usage indiqué dans cette documentation. Toute autre utilisation non expressément indiquée pourrait compromettre l'intégrité du produit et/ou représenter une source de danger.
5. GENIUS décline toute responsabilité qui dériverait d'usage impropre ou différent de celui auquel l'automatisme est destiné.
6. Ne pas installer l'appareil dans une atmosphère explosive: la présence de gaz ou de fumées inflammables constitue un grave danger pour la sécurité.
7. Les composants mécaniques doivent répondre aux prescriptions des Normes EN 12604 et EN 12605.
8. Pour les Pays extra-CEE, l'obtention d'un niveau de sécurité approprié exige non seulement le respect des normes nationales, mais également le respect des Normes susmentionnées.
9. GENIUS n'est pas responsable du non-respect de la Bonne Technique dans la construction des fermetures à motoriser, ni des déformations qui pourraient intervenir lors de l'utilisation.
10. L'installation doit être effectuée conformément aux Normes EN 12453 et EN 12445. Le niveau de sécurité de l'automatisme doit être C+D.
11. Couper l'alimentation électrique et déconnecter la batterie avant toute intervention sur l'installation.
12. Prévoir, sur le secteur d'alimentation de l'automatisme, un interrupteur onnipolaire avec une distance d'ouverture des contacts égale ou supérieure à 3 mm. On recommande d'utiliser un magnétothermique de 6A avec interruption onnipolaire.
13. Vérifier qu'il y ait, en amont de l'installation, un interrupteur différentiel avec un seuil de 0,03 A.
14. Vérifier que la mise à terre est réalisée selon les règles de l'art et y connecter les pièces métalliques de la fermeture.
15. L'automatisme dispose d'une sécurité intrinsèque anti-écrasement, formée d'un contrôle du couple. Il est toutefois nécessaire d'en vérifier le seuil d'intervention suivant les prescriptions des Normes indiquées au point 10.
16. Les dispositifs de sécurité (norme EN 12978) permettent de protéger des zones éventuellement dangereuses contre les Risques mécaniques du mouvement, comme l'écrasement, l'acheminement, le cisaillement.
17. On recommande que toute installation soit dotée au moins d'une signalisation lumineuse, d'un panneau de signalisation fixé, de manière appropriée, sur la structure de la fermeture, ainsi que des dispositifs cités au point "16".
18. GENIUS décline toute responsabilité quant à la sécurité et au bon fonctionnement de l'automatisme si les composants utilisés dans l'installation n'appartiennent pas à la production GENIUS.
19. Utiliser exclusivement, pour l'entretien, des pièces GENIUS originales.
20. Ne jamais modifier les composants faisant partie du système d'automatisme.
21. L'installateur doit fournir toutes les informations relatives au fonctionnement manuel du système en cas d'urgence et remettre à l'Usager qui utilise l'installation les "Instructions pour l'Usager" fournies avec le produit.
22. Interdire aux enfants ou aux tiers de stationner près du produit durant le fonctionnement.
23. Ne pas permettre aux enfants, aux personnes ayant des capacités physiques, mentales et sensorielles limitées ou dépourvues de l'expérience ou de la formation nécessaires d'utiliser l'application en question.
24. Eloigner de la portée des enfants les radiocommandes ou tout autre générateur d'impulsions, pour éviter tout actionnement involontaire de l'automatisme.
25. Le transit entre les vantaux ne doit avoir lieu que lorsque le portail est complètement ouvert.
26. L'utilisateur doit s'abstenir de toute tentative de réparation ou d'intervention et doit s'adresser uniquement et exclusivement au personnel qualifié GENIUS ou aux centres d'assistance GENIUS.
27. Tout ce qui n'est pas prévu expressément dans ces instructions est interdit.

ESPAÑOL

ADVERTENCIAS PARA EL INSTALADOR REGLAS GENERALES PARA LA SEGURIDAD



ATENCIÓN! Es sumamente importante para la seguridad de las personas seguir atentamente las presentes instrucciones. Una instalación incorrecta o un uso impropio del producto puede causar graves daños a las personas.

1. Leer detenidamente las instrucciones antes de instalar el producto.
2. Los materiales del embalaje (plástico, poliestireno, etc.) no deben dejarse al alcance de los niños, ya que constituyen fuentes potenciales de peligro.
3. Guardar las instrucciones para futuras consultas.
4. Este producto ha sido proyectado y fabricado exclusivamente para la utilización indicada en el presente manual. Cualquier uso diverso del previsto podría perjudicar el funcionamiento del producto y/o representar fuente de peligro.
5. GENIUS declina cualquier responsabilidad derivada de un uso impropio o diverso del previsto.
6. No instalar el aparato en atmósfera explosiva: la presencia de gas o humos inflamables constituye un grave peligro para la seguridad.



INDEX

IMPORTANT NOTES FOR THE INSTALLER	page.6
1. DESCRIPTION (Fig.1)	page.6
1.1. TECHNICAL SPECIFICATIONS	page.6
3. INSTALLING THE AUTOMATED SYSTEM	page.6
3.1. PRELIMINARY CHECKS	page.6
3.2. WALLING THE FOUNDATION PLATE	page.6
3.3. MECHANICAL INSTALLATION	page.6
4. START-UP	page.7
5. MANUAL OPERATION	page.7
6. RESTORING NORMAL OPERATION	page.7
7. MAINTENANCE	page.8
8. REPAIRS	page.8
9. AVAILABLE ACCESSORIES	page.8
9.1. SKIRT KIT	page.8
9.2. ARTICULATION KIT	page.8
9.3. END FOOT	page.8
9.4. FORK SUPPORT	page.8
9.5. BAR LIGHT KIT	page.8
9.6. BATTERY KIT	page.8

CE DECLARATION OF CONFORMITY (DIRECTIVE 2006/42/EC)

Manufacturer: FAAC S.p.A.

Address: Via Calari, 10 - 40069 Zola Predosa BOLOGNA - ITALIA

Declares that: Operator mod. **SPIN 3 - SPIN 4 - SPIN 424 - SPIN 6**

- is built to be integrated into a machine or to be assembled with other machinery to create a machine under the provisions of Directive 2006/42/EC;
- conforms to the essential safety requirements of the following EEC directives:
 - 2006/95/EC Low Voltage directive.
 - 2004/108/EC Electromagnetic Compatibility directive.
- and also declares that it is prohibited to put into service the machinery until the machine in which it will be integrated or of which it will become a component has been identified and declared as conforming to the conditions of Directive 2006/42/EEC and subsequent modifications.

Bologna, July 18th 2014

CEO

A. Marcellan

Notes on reading the instruction

Read this installation manual to the full before you begin installing the product.


The symbol indicates notes that are important for the safety of persons and for the good condition of the automated system.

The symbol draws your attention to the notes on the characteristics and operation of the product.



Guide for the installer

We thank you for having chosen one of our products. GENIUS is certain that from it you will obtain all the performance you require. All our products are the result of years of experience in the field of automated systems, with the added advantage of being part of one of the sector's leading groups.

 *The manual contains two removable booklets: one with all the images pertaining to installation and the other titled "Instructions for use" to give to the end user, which also contains the system maintenance record.*

IMPORTANT NOTES FOR THE INSTALLER

- Before beginning installation of the operator, carefully read the entire manual.
- Keep this manual for future reference.
- Correct operation and the declared technical specifications are obtained only by complying with the instructions contained in this manual and using GENIUS accessories and safety devices.
- If a mechanical clutch device is not available, to guarantee a suitable level of automated system safety use a control unit featuring an adjustable electronic clutch.
- Do not use the automated system to lift people or things.
- This automated system has been designed and built for controlling vehicle access. Avoid any different use.
- The operator must not be used to control emergency exits or gates installed on emergency lanes (escape routes).
- Do not pass while the automated system is moving
- Whatever is not explicitly provided for in these instructions is to be considered strictly forbidden.
- All automated system installation, maintenance and adjustment operations must be carried out by qualified personnel.

1. DESCRIPTION (Fig. 1)

Pos	Description
①	Bar
②	Mechanical stops
③	Spring carrying rod
④	Limit switch
⑤	Adjustable cams
⑥	Release device
⑦	Gearmotor unit
⑧	Spring plate
⑨	Balance spring
⑩	Electronic control unit
⑪	Spring adjustment tie-rod
⑫	Earth wire fixing screw
⑬	Foundation plate
⑭	Tie-rods
⑮	Door
⑯	Upright
⑰	Release key
⑱	Encoder





1.1. TECHNICAL SPECIFICATIONS


Model	Spin			
	3	4	6	424
Power Supply	230 V~ 50 Hz			24 V $\overline{=}$
Absorbed power (W)	250		380	100
Absorbed current (A)	1,1		1,7	3,5
Thermoprotection (°C)	140			/
Capacitor (μ F)	12,5			/
Max Torque (Nm)	60	100	150	100
Opening Time (s) [Ⓞ]	2,5	4	8	4
Max bar length (m)	3 [Ⓞ]	5 [Ⓞ]	7 [Ⓞ]	5 [Ⓞ]
Type and frequency of use at 20°C	S3 - 50%		S3 - 60%	100%
Indicative minimum hrs/cycle at 20°C [Ⓞ]	>360	>225	>130	>450
Operating ambient temperature (°C)	-20 to +55			
Operator weight (Kg)	63		69	63
Protection class	IP X4			
Dimensions	See fig. 3 & 4			


- ① Opening time and number of cycles calculated at a temperature of 20°C and for installations carried out correctly and without decelerations.
- ② No accessories can be applied to SPIN 3 model bars. Articulation kits cannot be used with bars longer than 4 metres applied to SPIN 4 models.
Accessories cannot be used with bars longer than 6 metres applied to SPIN 6 models.

2. ELECTRICAL PREPARATIONS (standard system) Fig. 2

Pos	Description	Cable diameters
①	Operator (electrical power supply)	3x1.5mm ²
②	TX photocells	2x0.5mm ²
③	RX photocells	4x0.5mm ²
④	Key switch	2x0.5mm ²
⑤	Flashing lamp	2x1.5mm ²

-  *For cable installation, use adequate rigid and/or flexible tubes.*
-  *Always separate the low-voltage accessories connection cables from the power supply cables. To avoid possible interference, use separate sheathing.*
-  *Provide the power supply line with an omnipolar switch featuring a contact opening distance equal to or greater than 3 mm. We recommend using a 6 A magnetothermic switch with omnipolar switching.*
-  *Always install a differential switch with a 0.03 A threshold upstream from the system.*

 **When preparing the power supply line, always follow national system regulations and use a double-insulation cable.**

 **Securely connect the power supply cable and the accessories connection cables in the board terminals area.**

3. INSTALLING THE AUTOMATED SYSTEM


3.1. PRELIMINARY CHECKS

To ensure automated system safety as well as its correct operation, before proceeding with installation, check that the following conditions are met:

- When in motion, the bar must not encounter obstacles or flying power cables.
- The characteristics of the terrain must guarantee sufficient solidity of the foundation plinth.
- No tubes or electrical cables should be present in the plinth digging area.
- If the barrier body is exposed to vehicle transit, provide for adequate protection against accidental impact, when possible.
- Ensure that there is an efficient earth plate for connecting the upright profile.

3.2. WALLING THE FOUNDATION PLATE

1. Assemble the foundation plate as shown in Fig. 5.
2. Set the foundation plinth as shown in Fig. 6.

 **The plinth dimensions must be suitable for the terrain type and model installed.**

3. Wall the foundation plate as shown in Fig. 6 and provide for one or more sheaths for cable running.
4. Use a level to ensure that the plate is perfectly horizontal.
5. Wait for the cement to set.

3.3. MECHANICAL INSTALLATION


1. Remove the 4 upper nuts from the foundation plate.
2. Position the upright on the foundation plate, see Fig. 7, and secure it.
3. Prepare the operator for manual operation, as described in paragraph 4.

3.3.1. RIGHT OR LEFT INSTALLATION

Depending on installation needs, the automated system can be installed on the right or left:

Left-hand installation: Left-hand installation is when, with the barrier closed, the bar is on the **right side** of the upright, looking at the automated system from inside the property (door side).

Right-hand installation: Right-hand installation is when, with the barrier closed, the bar is on the **left side** of the upright, looking at the automated system from inside the property (door side).

 **The automated system is supplied ready for left-hand closing, fig. 8 ref. "A". If the bar closing direction is the desired one, go directly to 3.3.2. "Installing the bar".**



To change the automated system from left to right (Fig. 8 ref. "B") proceed as follows:


1. Remove the adjustment tie-rod, fig. 8 ref. ①.
2. Move the electrical control unit from the right side to the left, fig. 8 ref. ②.
3. Insert the spring adjustment tie-rod in the hole to the right of the electrical control unit.
4. Move the spring fixing plate, fig. 8 ref. ③, from the left to the right pin.
5. Remove the bar carrying plate fixing screws, fig. 9 and 10 ref. ①.
6. Turn the bar carrying plate by 90°, fig. 9 and 10 ref. ②.
7. Secure everything using the provided screws.

3.3.2. INSTALLING THE BAR

To correctly install the bar, follow the instructions below, depending on the automated system model:

SPIN 3 - 4 - 424 (FIG. 11)


1. Set the bar carrying plate in vertical position.
2. Insert the bar, ref. ①, and secure it with the 4 provided screws, ref. ③.

 **The bar rubber bumper, ref. ②, must be facing the bar closing direction.**

3. Plug the hole using the provided cap, ref. ④.

SPIN 6 (FIG. 12)

1. Set the bar carrying plate in vertical position.
2. Rest the bar, ref. ①, on the central pin.
3. Position the "W"-support, ref. ②.
4. Secure everything using the 6 provided screws, ref. ③.

 *The bars for Spin 6 models are ambidextrous and do not need to be installed in a particular direction.*

3.3.3. ADJUSTING THE MECHANICAL STOPS

The Spin automated systems are factory-fitted with two mechanical stops, fig. 13 ref. ① and ②, to stop the bar in closing and opening position.

To adjust the two positions, proceed as follows:


1. Manually set the bar in opening position.
2. Adjust the stop height so that the bar stays in vertical position.
3. Tighten the nut to lock in position.
4. To adjust the other mechanical stop, manually set the bar in closing position and continue as described above until the bar is in horizontal position.

3.3.4. ADJUSTING THE LIMIT SWITCHES

The operators feature 2 limit microswitches that trip and stop movement of the bar both during opening and closing. They are driven by two adjustable cams, fig. 14 ref. ① and ②.

To correctly adjust the two cams, proceed as follows:

1. Manually set the bar in vertical position.
2. Turn the corresponding cam until the limit switch trips.
3. Set the bar in closing position and adjust the corresponding cam until the limit switch trips.

 **For correct operation of the automated system, the two limit switches must trip before the mechanical stop is reached.**


3.3.5. INSTALLING AND ADJUSTING THE BALANCE SCREW

To operate correctly, the automated system requires a balance screw, fig. 15 ref. ①, which must be ordered separately (like the bar).


The screw type used with the automated system must be chosen, among the ones listed, depending on the type of bar and any accessories fitted on it.

For correct installation and adjustment of the spring, proceed as follows:

1. Ensure that the operator is released, see par. 4.
2. Remove the adjustment tie-rod, fig. 15, ref. ③.
3. Keeping the bar in vertical position, connect the spring to the plate, fig. 15 ref. ②.

 *For quicker installation, we recommend keeping the open side of the eye-bolt facing the installer.*

4. Insert the adjustment tie-rod, ref. ③, in the lower eye-bolt of the spring and afterward in its fixing hole.
5. Tighten one of the two nuts, fig. 15 ref. ④, until spring play has been completely restored.
6. Manually place the bar at half travel (approx. 45°).
7. Using the previously tightened nut, begin tensioning the spring.

 **The spring is correctly tensioned when it is able to keep the bar steady once it is at 45°.**

8. Tighten the tie-rod lock nut and secure everything.
9. Restore normal operation, as described in paragraph 5.

4. START-UP

- Proceed with the installation of the control unit following the provided instructions.
- Verify the correct operation of the limit switches ensuring that the corresponding LED on the unit goes off.
- Verify the correct operation of the automated system, paying special attention to the connected safety devices.
- Properly train the end user as to the correct operation of the automated system.
- Give the user the "User's Guide" (the removable booklet contained in this manual).
- Fill in the maintenance record enclosed with the "User's Guide".


5. MANUAL OPERATION

Should manual operation of the barrier be required due to electrical power cut-off or inefficiency of the automated system, proceed as follows:

1. Cut off power to the system using the differential switch located upstream from the system.
2. Open the door.
3. Insert the release key, fig. 16 ref. ①, in the release device opening.
4. Turn the key anti-clockwise until the mechanical stop is reached.

 **The mechanical stop consists of a pin, fig. 17 ref. ①. Do not go beyond it to avoid compromising system operation.**

5. Manually move the bar, in both directions, until release of the locking device can be felt.

 *If the automated system must stay released:*


- remove the release key and close the door
- do not restore power to the system.

6. RESTORING NORMAL OPERATION

To restore normal operating conditions, proceed as follows:

1. Ensure that the system is powered down.
2. Open the door using the provided key.
3. Insert the release key, fig. 18, ref. ①, in the corresponding opening.
4. Turn the release key clockwise until it rests against the shaft, fig. 18.
5. Once the key is resting against the shaft, move the bar manually until insertion of the release device is felt.


 **Once the key is resting against the shaft, do not go further to avoid compromising operation of the device.**

 **If turning of the release key becomes excessively difficult and the key is still not resting against the shaft, try moving the bar manually until insertion of the release device is felt. Then continue turning the key until it is resting against the shaft.**

6. Close the door again, ensuring that the earth cable connection between the door and the upright is intact.
7. Restore power to the system.
8. Ensure that the automated system is operating correctly.

7. MAINTENANCE

 **All automated system maintenance operations must be carried out by qualified personnel.**

 **All system inspection and/or maintenance operations must be carried out only after cutting off system power and with the bar in vertical position (the balance spring must be at minimum length).**

To ensure correct operation and a constant safety level over time, every six months perform an overall system check paying special attention to safety devices. The "User's Guide" contains a servicing report form.

8. REPAIRS

The end user must avoid any attempt to repair or service the system, and must contact only qualified GENIUS personnel or GENIUS service centres.

9. AVAILABLE ACCESSORIES

9.1. SKIRT KIT

The skirt kit, fig. 19, allows increased visibility of the bar and is available in lengths starting from 2 metres.

 *Installation of the skirt kit involves adapting of the balance spring.*

9.2. ARTICULATION KIT

The articulation kit, fig. 20, is designed to articulate the rigid bar allowing installation in covered areas.

 **The articulation kit can be used only with SPIN 3 and 4 models.**


 *Installation of the articulation kit involves adapting of the balance spring.*



Guide for the installer

9.3. END FOOT


The end foot, fig. 21, makes it possible to rest the bar when closing, thus avoiding any downward bending of the bar.

 *Use of the foot involves adapting of the balance spring..*

9.4. FORK SUPPORT

The fork support, fig. 22, is used for two purposes:

- to avoid that the bar, when in closing position, bends or breaks under the effect of outside forces.
- to make it possible to rest the bar in closing position, thus avoiding any downward bending of the bar.


 *Use of the fork support does not require changes to the balance spring.*

9.4.1. POSITIONING THE FORK SUPPORT

To position the fork support foundation plate, refer to the measurements shown in fig. 23 where:


L= bar length

A= L-500mm

 *For correct positioning, we recommend positioning the fork support after having completely installed the automated system. The result will be correct positioning of the fork centre with the centre of the bar.*


9.5. BAR LIGHT KIT

For SPIN 3 and 4 models, a light kit is available for use on the top of the bar. The lights increase bar visibility, especially at night.

 *Installation of the light kit involves adapting of the balance spring.*

9.6. BATTERY KIT

For the SPIN 424 model, an emergency battery kit is available for positioning inside the upright. The battery kit makes it possible to make up for electrical power interruptions.

 ***The battery kit cannot be used as an alternative to electrical power.***

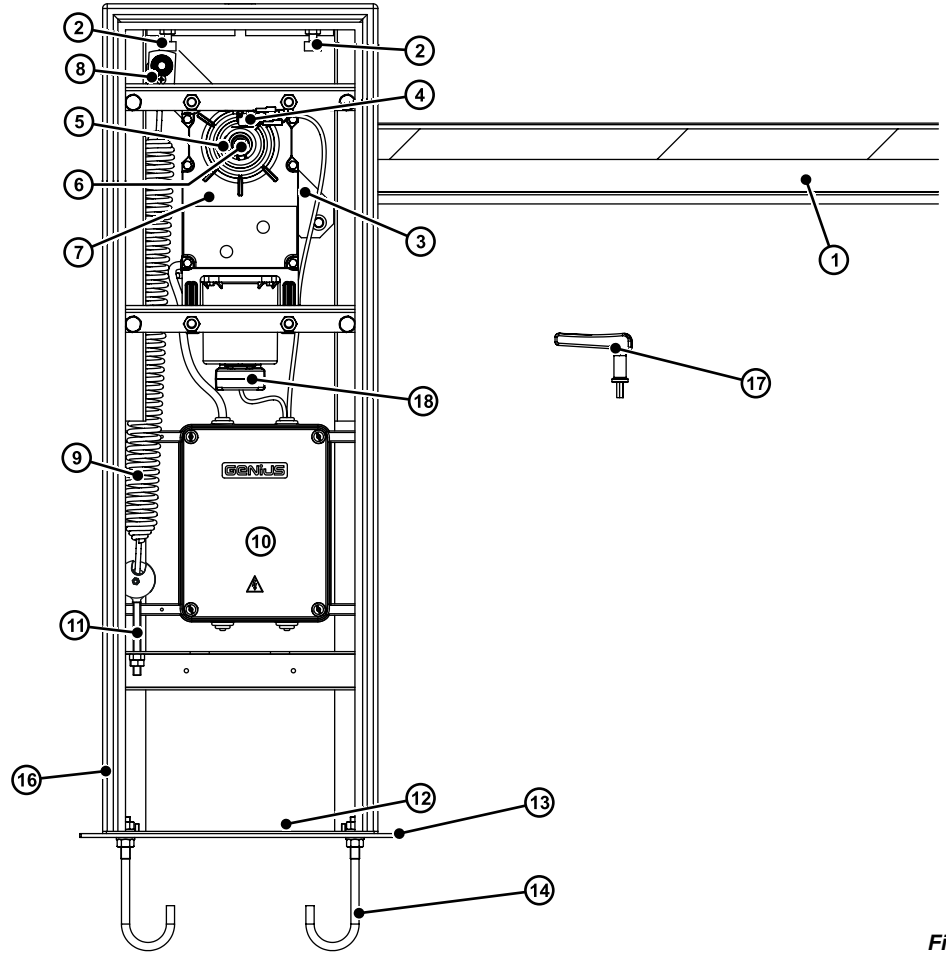
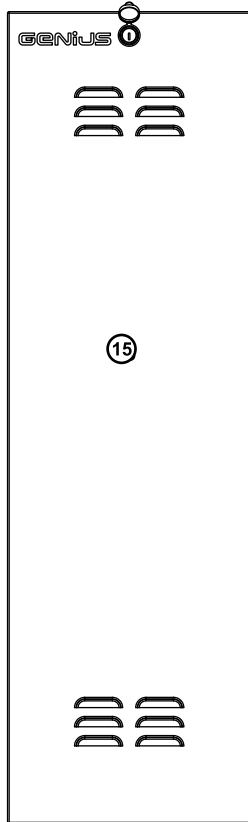


Fig. 01

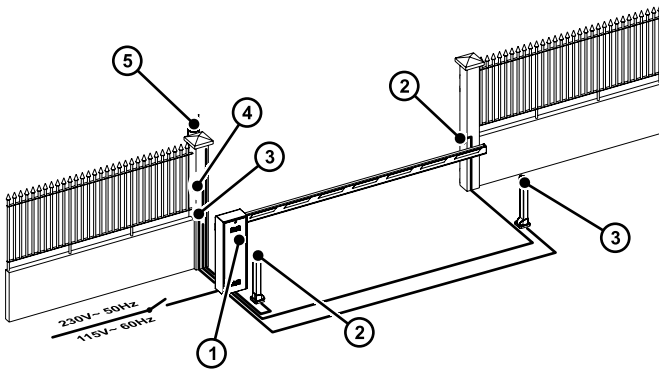


Fig. 02

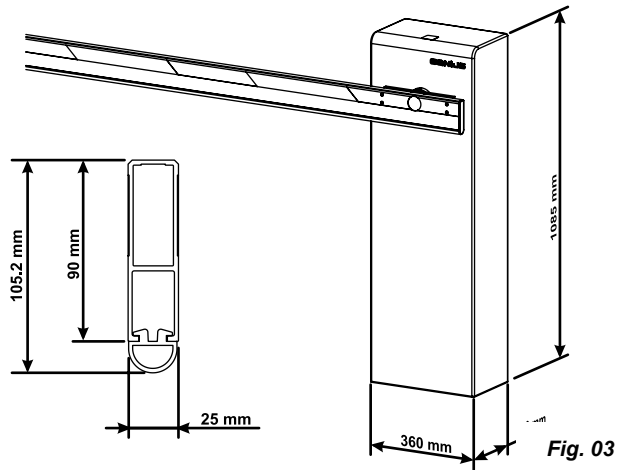


Fig. 03

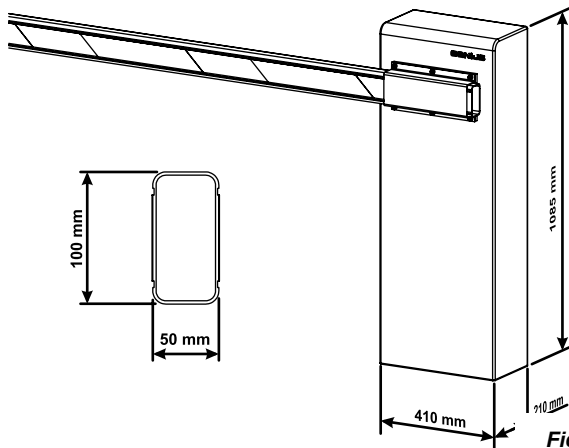


Fig. 04

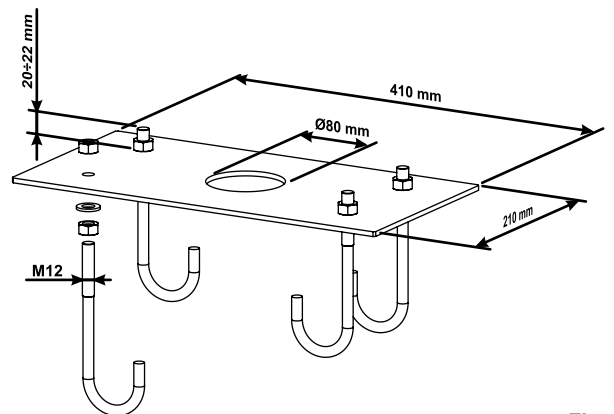


Fig. 05

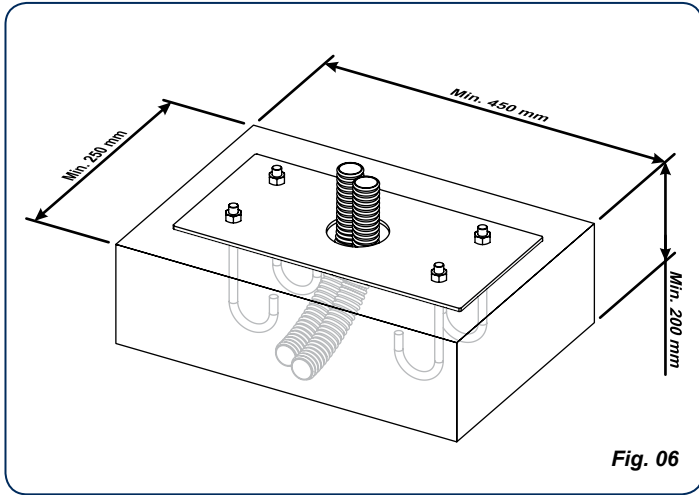


Fig. 06

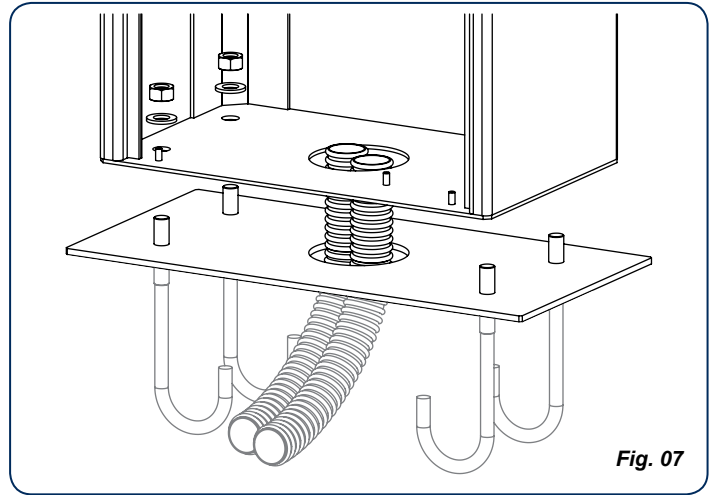


Fig. 07

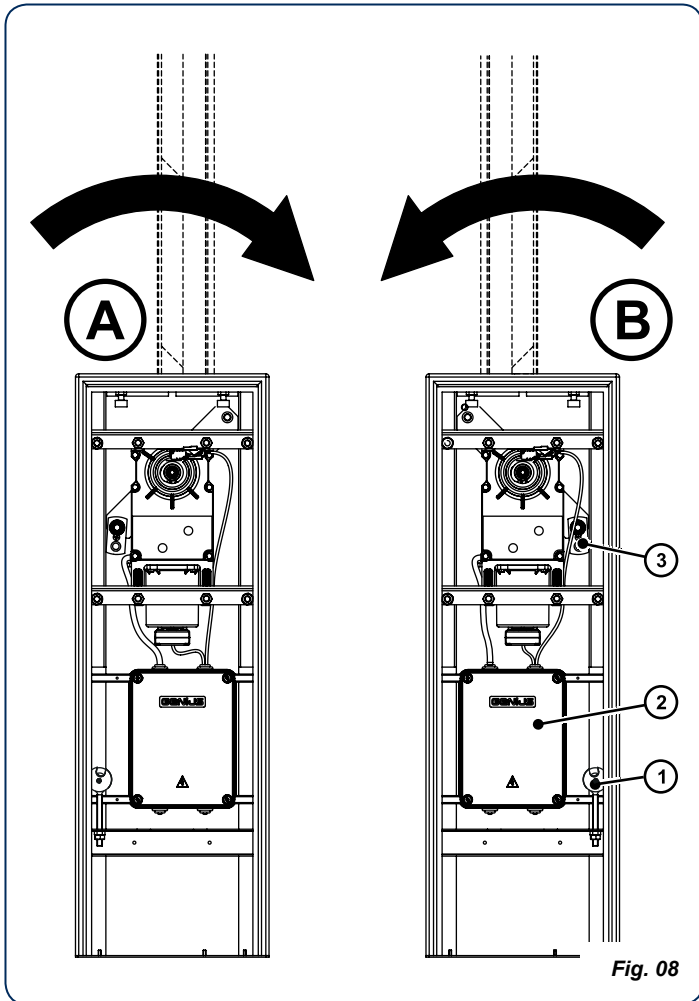


Fig. 08

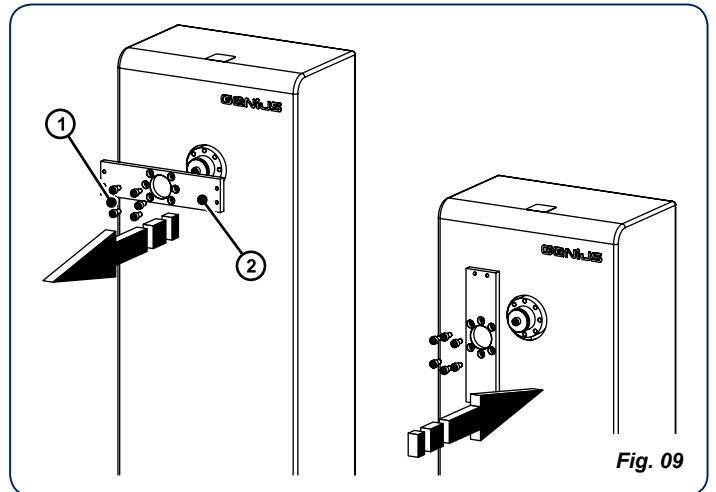


Fig. 09

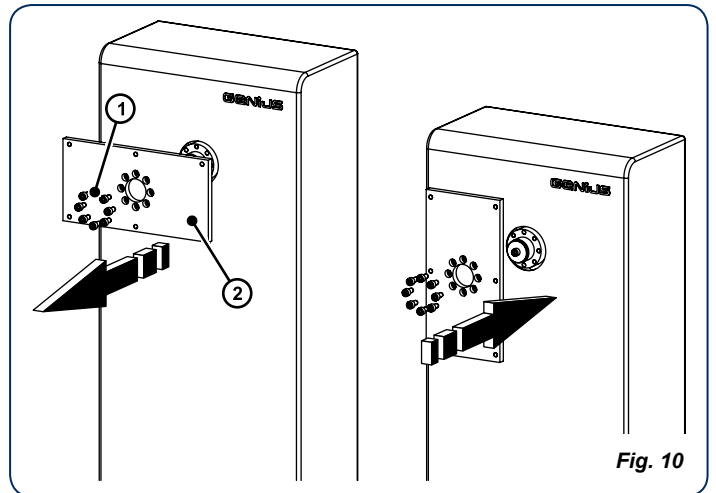


Fig. 10

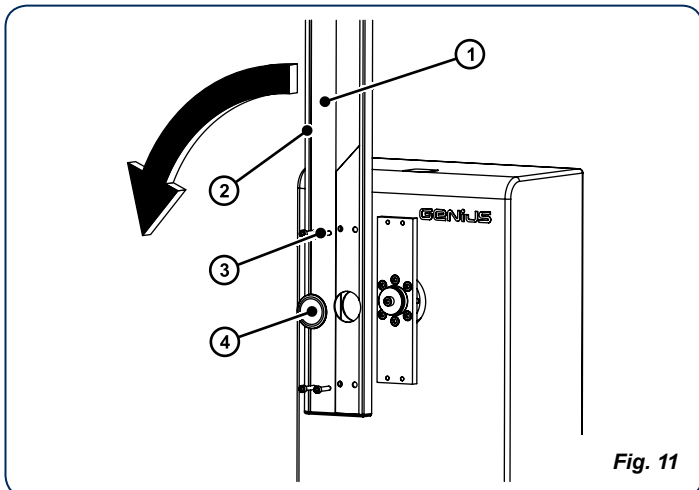


Fig. 11

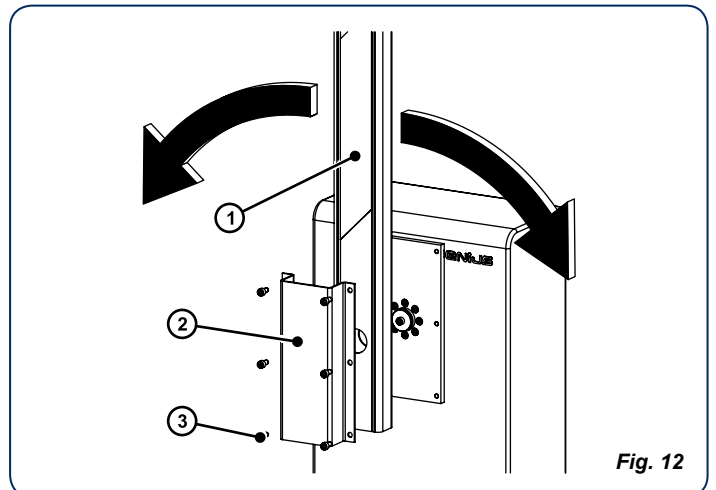
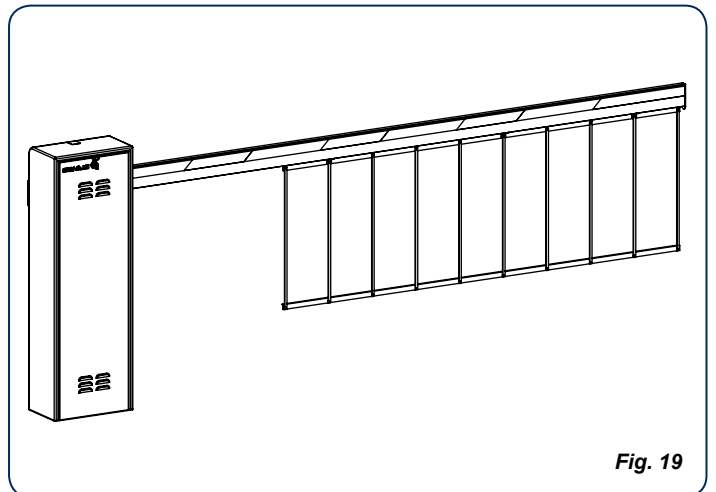
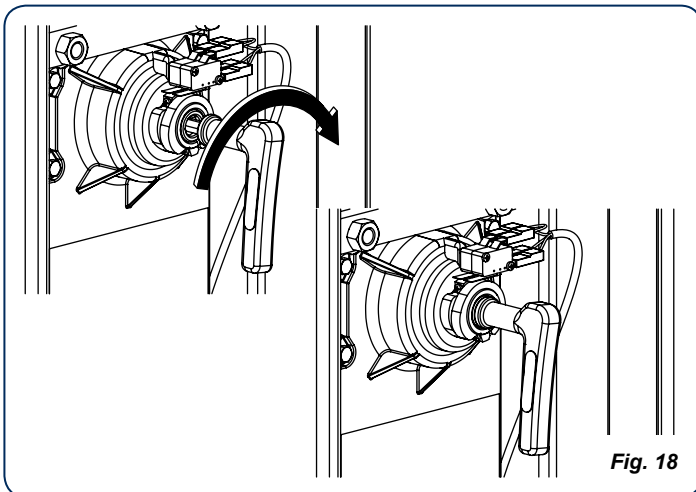
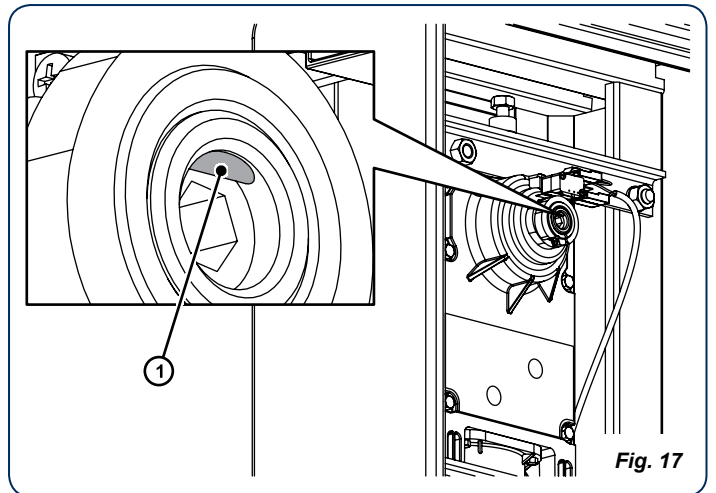
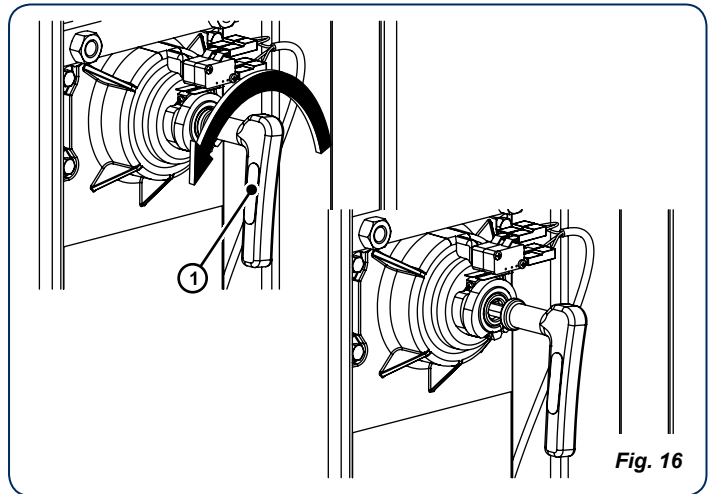
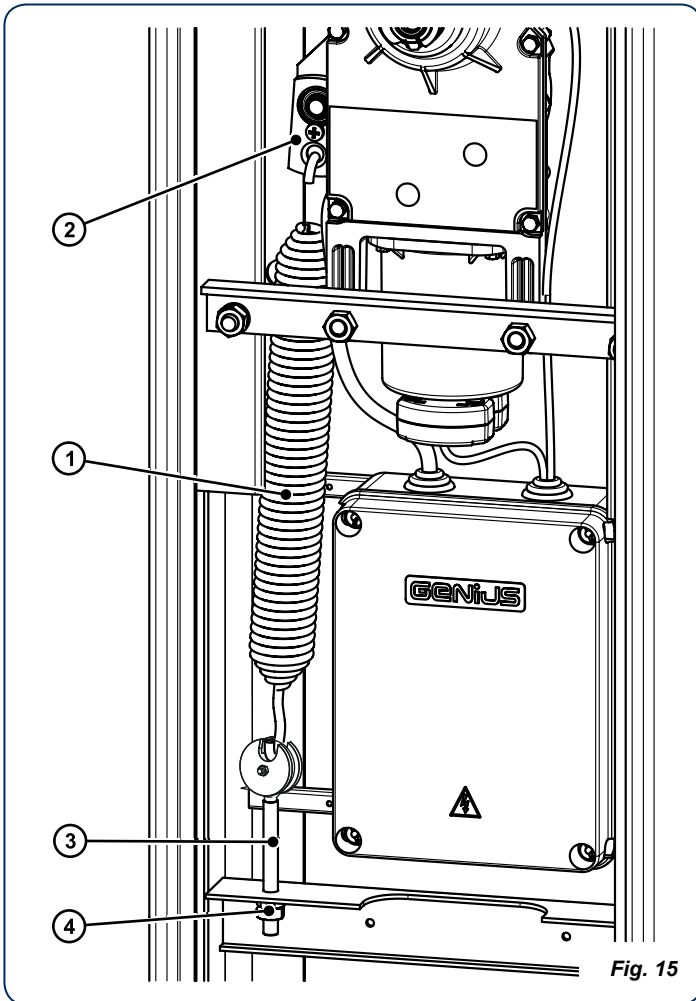
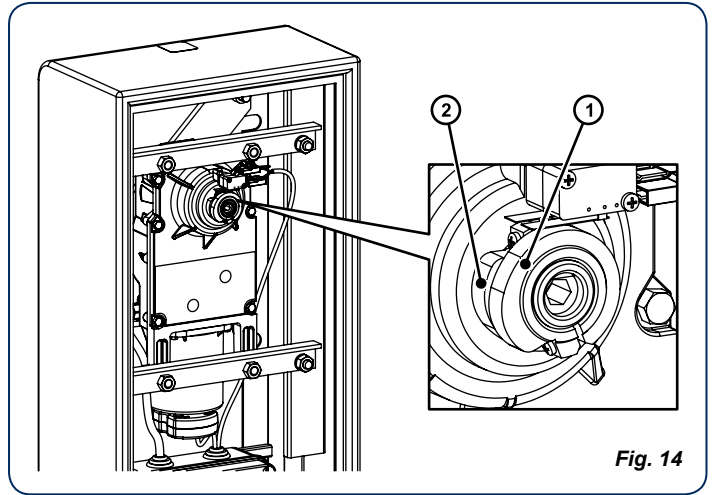
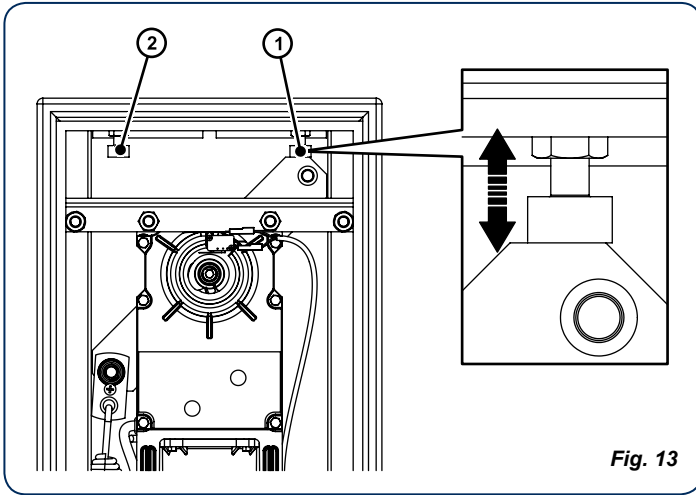


Fig. 12



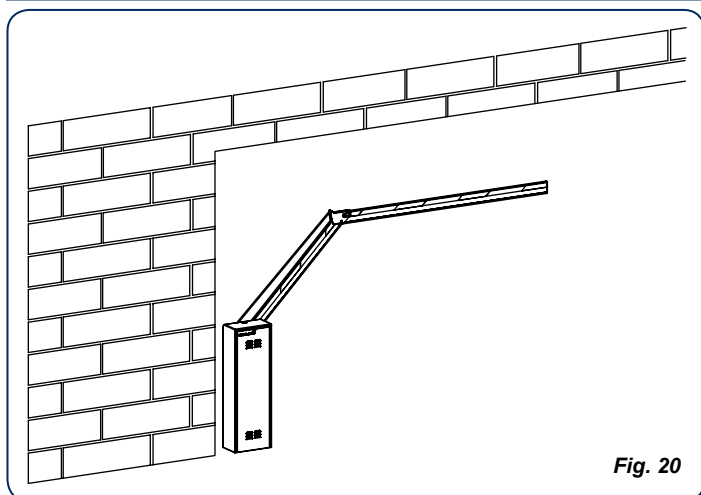


Fig. 20

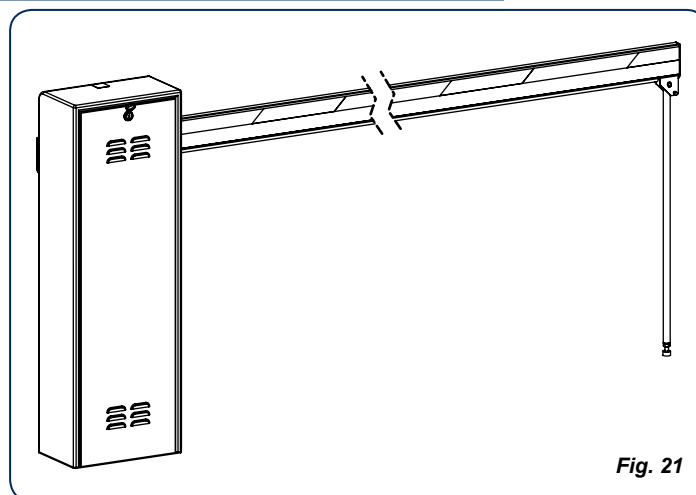


Fig. 21

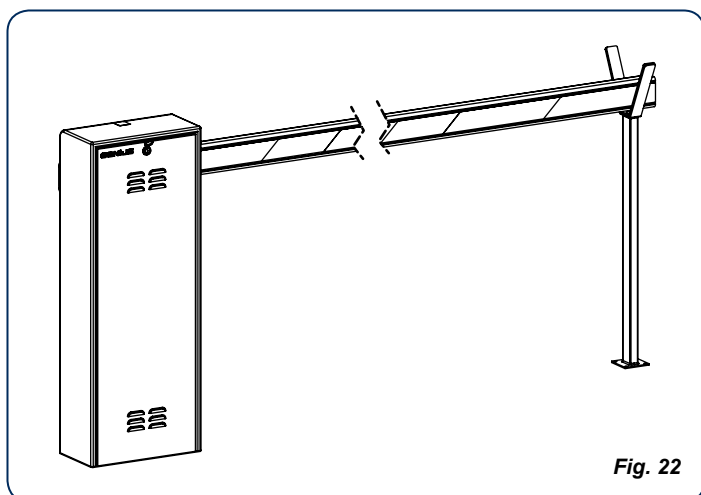


Fig. 22

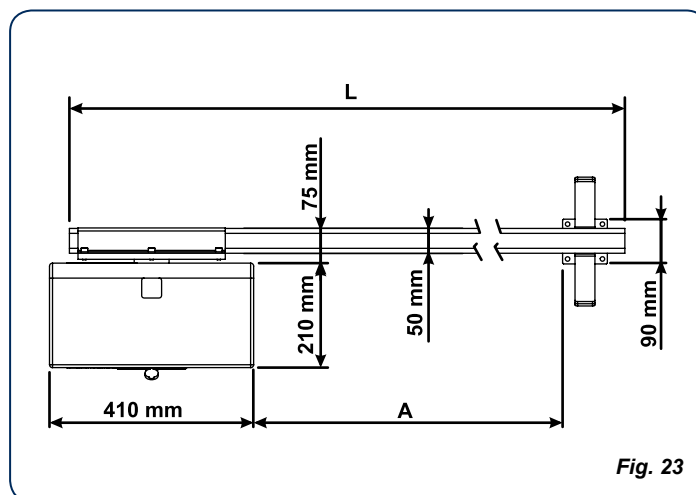
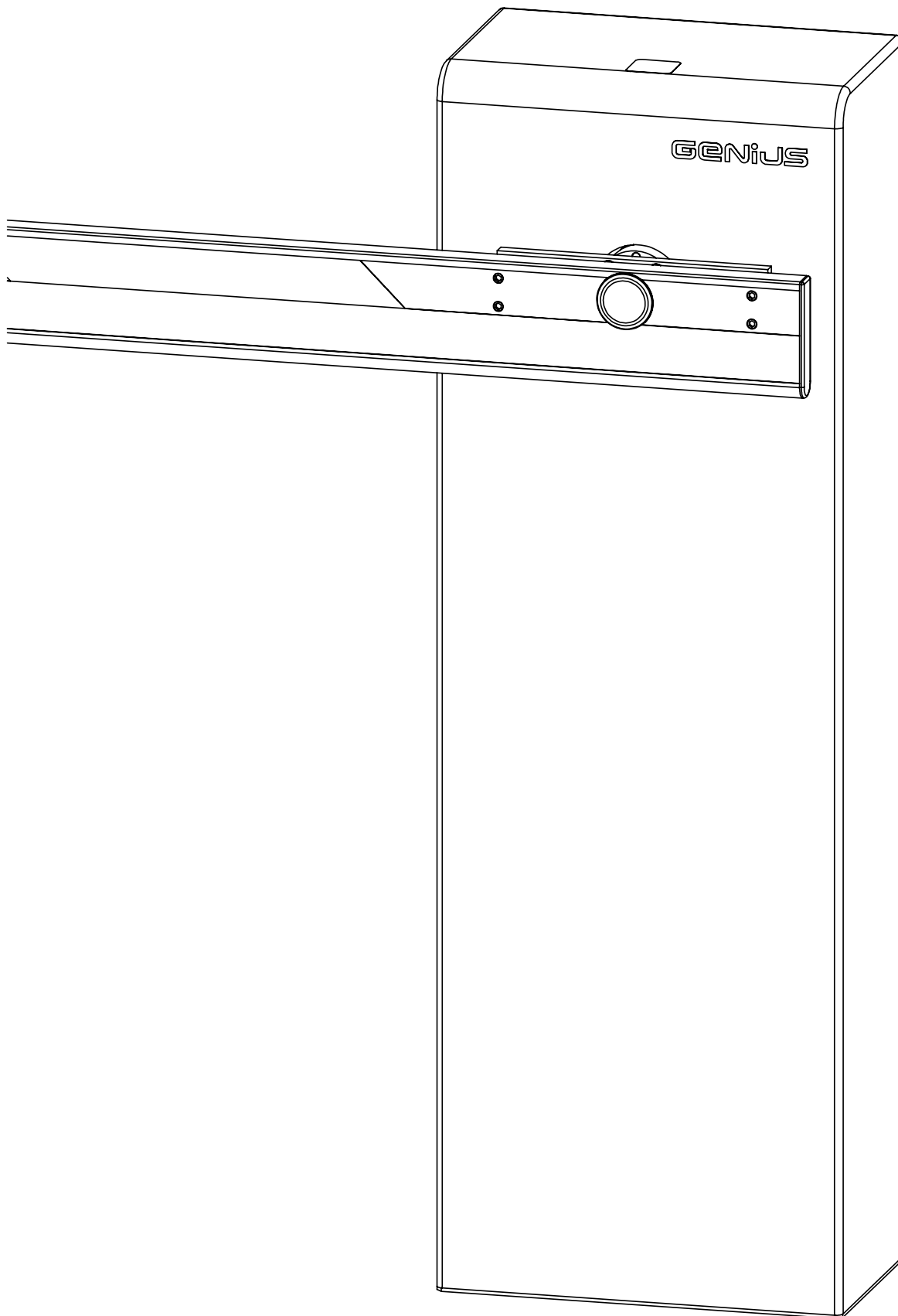


Fig. 23



GENIUS[®]

AUTOMATISMI PER CANCELLI



SPIN

***GUIDA PER L'UTENTE - USER'S GUIDE
INSTRUCTIONS POUR L'UTILISATEUR - GUÍA PARA EL USUARIO FÜH-
RER FÜR DEN BENUTZER - HANDLEIDING VOOR DE GEBRUIKER***





⚠ Before using the product, read the instructions carefully. Keep these instructions for future reference.

We thank you for having chosen one of our products. GENIUS is certain that from it you will obtain all the performance you require. All our products are the result of years of experience in the field of automated systems, with the added advantage of being part of one of the sector's leading groups.

GENERAL SAFETY REGULATIONS

The **SPIN**, automated system, if correctly installed and used, guarantees a high level of safety. A few simple behaviour rules can avoid accidental inconveniences:

- Do not pass while the bar is moving. Before passing, wait for the bar to open completely.
- Never stop under the bar.
- The automated system must not be used by children, persons with limited physical, mental and sensory capacities or persons lacking experience or the necessary training.
- Do not allow children to play with the automated system.
- Do not voluntarily prevent movement of the bar.
- Do not allow branches or bushes to interfere with movement of the bar.
- Ensure that the system visual signals are kept efficient and in perfect view.
- Do not attempt to manually operate the bar unless it has been released.
- In case of malfunction, cut off the power, release the bar to allow access and wait for the technical intervention of qualified personnel.
- Once manual operation is prepared for, before restoring normal operation, ensure that power to the system is cut off.
- Do not modify any of the automated system components.
- Every six months, check to ensure that the automated system is operating correctly.
- Avoid any attempt to repair or service the system, and contact only qualified GENIUS personnel or GENIUS service centres.
- Ensure that the installation technician fills in the enclosed maintenance record

MANUAL OPERATION

Should manual operation of the bar be required due to electrical power cut-off or inefficiency of the automated system, proceed as follows:

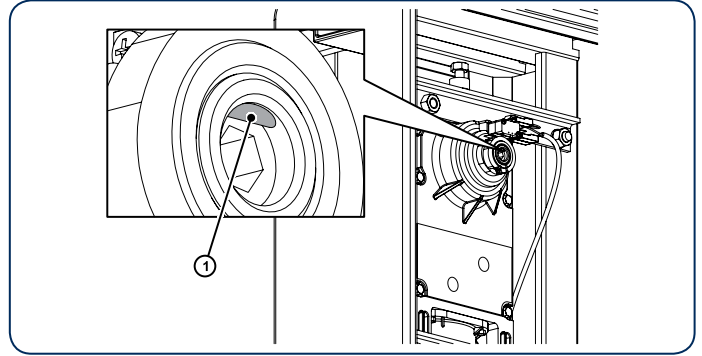
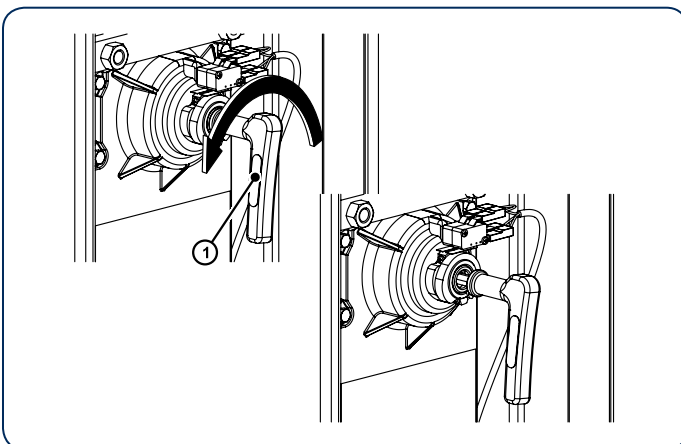
1. Cut off power to the system using the differential switch located upstream from the system.
2. Open the door.
3. Insert the release key, fig. 1, ref. ①, in the release device opening.
4. Turn the key anti-clockwise until the mechanical stop is reached.

⚠ The mechanical stop consists of a pin, fig. 2 ref. ①. Do not go beyond it to avoid compromising system operation.

5. Manually move the bar, in both directions, until release of the locking device can be felt.

☞ If the automated system must stay released:

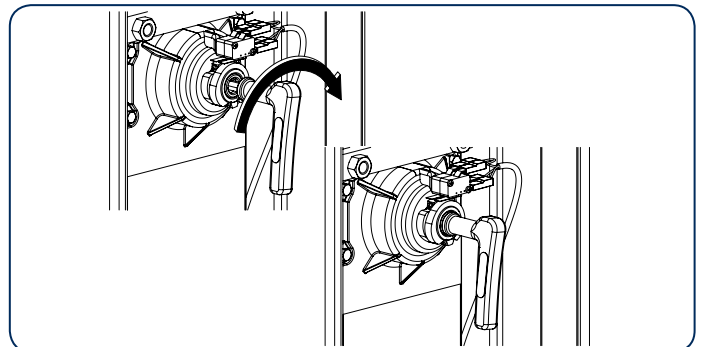
- remove the release key and close the door
- do not restore power to the system.



RESTORING NORMAL OPERATION

To restore normal operating conditions, proceed as follows:

1. Ensure that the system is powered down.
 2. Open the door using the provided key.
 3. Insert the release key, fig. 3, ref. ①, in the corresponding opening.
 4. Turn the release key clockwise until it rests against the shaft, fig. 3.
 5. Once the key is resting against the shaft, move the bar manually until insertion of the release device is felt.
- ⚠ Once the key is resting against the shaft, do not go further to avoid compromising operation of the device.**
- ⚠ If turning of the release key becomes excessively difficult and the key is still not resting against the shaft, try moving the bar manually until insertion of the release device is felt. Then continue turning the key until it is resting against the shaft.**
6. Close the door again, ensuring that the earth cable connection between the door and the upright is intact.
 7. Restore power to the system.
 8. Ensure that the automated system is operating correctly.



MAINTENANCE

To ensure correct operation and a constant safety level over time, every six months have the overall system checked paying special attention to safety devices.

⚠ All automated system maintenance operations must be carried out by qualified GENIUS personnel or GENIUS service centres.

REPAIRS

The end user must avoid any attempt to repair or service the system, and must contact only qualified GENIUS personnel or GENIUS service centres.



**REGISTRO DI MANUTENZIONE / MAINTENANCE REGISTER / REGISTRE D'ENTRETEN /
 REGISTRO DE MANTENIMIENTO / WARTUNGSPROGRAMM / ONDERHOUDREGISTER**

Dati impianto / System data / données de l'installation / Datos equipo / Daten der Anlage / Gegevens installatie

Installatore / Installer / Installateur / Installador / Monteur / installateur	
Cliente / Customer / Client / Cliente / Kunde / Klant	
Tipo impianto / Type of system / Type d'installation / Tipo de equipo / Art der Anlage / Type installatie	
Matricola / Serial No. / N° de série / N° de serie / Seriennummer / Seriennummer	
Data installazione / Installation date / Date d'installation / Fecha de instalación / Installationsdatum / datum installatie	
Attivazione / Start-up / Activation / Activación / Inbetriebnahme / Activering	

Configurazione impianto / System configuration / Confijguration de l'installation / Configuración del equipo / Konfiguration der Anlage / Configuratie installatie

COMPONENTE / PART / COMPOSANT / COMPONENTE / BAUTEIL / ONDEREEL	MODELLO / MODEL / MODÈLE / MODELLO / MEDELL / MODEL	MATRICOLA / SERIAL NUMBER / N° DE SERIE / N° DE SERIE / SERIENNUMMER / SERIENNUMMER
Operatore / Operator / Opérateur / Operador / Antrieb / Aandrijving		
Dispositivo di sicurezza 1 / Safety device 1 / dispositif de sécurité 1 / Dispositivo de seguridad 1 / Scherheltsvorrichtung 1 / Veiligheidsvoorziening 1		
Dispositivo di sicurezza 2 / Safety device 2 / dispositif de sécurité 2 / Dispositivo de seguridad 2 / Scherheltsvorrichtung 1 / Veiligheidsvoorziening 2		
Coppia di fotocellule 1 / Pair of photocells 1 / Paire de photocellules 1 / Par de fotocélulas 1 / Fotozellenpaar 1 / Paar fotocellen 1		
Coppia di fotocellule 2 / Pair of photocells 2 / Paire de photocellules 2 / Par de fotocélulas 2 / Fotozellenpaar 2 / Paar fotocellen 2		
Dispositivo di comando 1 / Control device 1 / Dispositif de commande 1 / Dispositivi de mando 1 / Schaltvorrichtung 1 / Bedieningsvoorziening 1		
Dispositivo di comando 2 / Control device 2 / Dispositif de commande 2 / Dispositivi de mando 2 / Schaltvorrichtung 2 / Bedieningsvoorziening 2		
Radiocomando / Radio control / Radiocommande / Radiomando / Funksteuerung / Afstandsbediening		
Lampeggiante / Flashing lamp / Lampe clignotante / Destelador / Blinkleuchte / Signaallamp		

Indicazione dei rischi residui e dell'uso improprio prevedibile / Indication of residual risks and of foreseeable improper use / Indication des risques résiduels et de l'usage impropre prévisible / Indicación de los riesgos residuos y del uso improprio previsible / Angabe der Restrisiken und der voraussehbaren unsachgemäßen Anwendung / Aanduiding van de restrisiko's en van voorzienbaar oneigenlijk gebruik



**Registro di manutenzione - Maintenance register - Registre d'entretien
Registro de mantenimiento - Wartungsprogramm - Onderhoudregister**

Nr	Data / Date / Date / Fecha / Datum / Datum	Descrizione intervento / Job description / Description de l'intervention / Descripción de la intervención / Beschreibung der Arbeiten / Beschrijving ingreep	Firme / Signatures / Signatures / Firma / Unterschrift / Handtekeningen
1			Tecnico / Technicia Technicien / Técnico Techniker / Technicus
			Cliente / Customer Client / Cliente Kunde / Klant
2			Tecnico / Technicia Technicien / Técnico Techniker / Technicus
			Cliente / Customer Client / Cliente Kunde / Klant
3			Tecnico / Technicia Technicien / Técnico Techniker / Technicus
			Cliente / Customer Client / Cliente Kunde / Klant
4			Tecnico / Technicia Technicien / Técnico Techniker / Technicus
			Cliente / Customer Client / Cliente Kunde / Klant
5			Tecnico / Technicia Technicien / Técnico Techniker / Technicus
			Cliente / Customer Client / Cliente Kunde / Klant
6			Tecnico / Technicia Technicien / Técnico Techniker / Technicus
			Cliente / Customer Client / Cliente Kunde / Klant
7			Tecnico / Technicia Technicien / Técnico Techniker / Technicus
			Cliente / Customer Client / Cliente Kunde / Klant
8			Tecnico / Technicia Technicien / Técnico Techniker / Technicus
			Cliente / Customer Client / Cliente Kunde / Klant
9			Tecnico / Technicia Technicien / Técnico Techniker / Technicus
			Cliente / Customer Client / Cliente Kunde / Klant
10			Tecnico / Technicia Technicien / Técnico Techniker / Technicus
			Cliente / Customer Client / Cliente Kunde / Klant

7. Los elementos constructivos mecánicos deben estar de acuerdo con lo establecido en las Normas EN 12604 y EN 12605.
8. Para los países no pertenecientes a la CEE, además de las referencias normativas nacionales, para obtener un nivel de seguridad adecuado, deben seguirse las Normas arriba indicadas.
9. GENIUS no es responsable del incumplimiento de las buenas técnicas de fabricación de los cierres que se han de motorizar, así como de las deformaciones que pudieran intervenir en la utilización.
10. La instalación debe ser realizada de conformidad con las Normas EN 12453 y EN 12445. El nivel de seguridad de la automatización debe ser C+D.
11. Quitar la alimentación eléctrica y desconectar las baterías antes de efectuar cualquier intervención en la instalación.
12. Coloquen en la red de alimentación de la automatización un interruptor omnipolar con distancia de apertura de los contactos igual o superior a 3 mm. Se aconseja usar un magnetotérmico de 6A con interrupción omnipolar.
13. Comprueben que la instalación disponga línea arriba de un interruptor diferencial con umbral de 0,03 A.
14. Verifiquen que la instalación de tierra esté correctamente realizada y conecten las partes metálicas del cierre.
15. La automatización dispone de un dispositivo de seguridad antiplastamiento constituido por un control de par. No obstante, es necesario comprobar el umbral de intervención según lo previsto en las Normas indicadas en el punto 10.
16. Los dispositivos de seguridad (norma EN 12978) permiten proteger posibles áreas de peligro de Riesgos mecánicos de movimiento, como por ej. aplastamiento, arrastre, corte.
17. Para cada equipo se aconseja usar por lo menos una señalización luminosa así como un cartel de señalización adecuadamente fijado a la estructura del bastidor, además de los dispositivos indicados en el "16".
18. GENIUS declina toda responsabilidad relativa a la seguridad y al buen funcionamiento de la automatización si se utilizan componentes de la instalación que no sean de producción GENIUS.
19. Para el mantenimiento utilicen exclusivamente piezas originales GENIUS
20. No efectúen ninguna modificación en los componentes que forman parte del sistema de automatización.
21. El instalador debe proporcionar todas las informaciones relativas al funcionamiento del sistema en caso de emergencia y entregar al usuario del equipo el manual de advertencias que se adjunta al producto.
22. No permitan que niños o personas se detengan en proximidad del producto durante su funcionamiento.
23. La aplicación no puede ser utilizada por niños, personas con reducida capacidad física, mental, sensorial o personas sin experiencia o la necesaria formación.
24. Mantengan lejos del alcance los niños los telemandos o cualquier otro emisor de impulso, para evitar que la automatización pueda ser accionada involuntariamente.
25. Sólo puede transitarse entre las hojas si la cancela está completamente abierta.
26. El usuario debe abstenerse de intentar reparar o de intervenir directamente, y debe dirigirse exclusivamente a personal cualificado GENIUS o a centros de asistencia GENIUS.
27. Todo lo que no esté previsto expresamente en las presentes instrucciones debe entenderse como no permitido

19. Bei der Instandhaltung sollten ausschließlich Originalteile der Firma GENIUS verwendet werden.
20. Auf den Komponenten, die Teil des Automationsystems sind, sollten keine Veränderungen vorgenommen werden.
21. Der Installateur sollte alle Informationen hinsichtlich des manuellen Betriebs des Systems in Notfallbüchern und dem Betreiber der Anlage das Anleitungsbuch, das dem Produkt beigelegt ist, übergeben.
22. Weder Kinder noch Erwachsene sollten sich während des Betriebs in der unmittelbaren Nähe der Automation aufhalten.
23. Die Anwendung darf nicht von Kindern, von Personen mit verminderter körperlicher, geistiger, sensorischer Fähigkeit oder Personen ohne Erfahrungen oder der erforderlichen Ausbildung verwendet werden.
24. Die Funksteuerungen und alle anderen Impulsgeber sollten außerhalb der Reichweite von Kindern aufbewahrt werden, um ein versehentliches Aktivieren der Automation zu vermeiden.
25. Der Durchgang oder die Durchfahrt zwischen den Flügeln darf lediglich bei vollständig geöffnetem Tor erfolgen.
26. Der Benutzer darf direkt keine Versuche für Reparaturen oder Arbeiten vornehmen und hat sich ausschließlich an qualifiziertes Fachpersonal GENIUS oder an Kundendienstzentren GENIUS zu wenden.
27. Alle Vorgehensweisen, die nicht ausdrücklich in der vorliegenden Anleitung vorgesehen sind, sind nicht zulässig

NEDERLANDS

WAARSCHUWINGEN VOOR DE INSTALLATEUR

ALGEMENE VEILIGHEIDSVORSCHRIFTEN



LET OP! Het is belangrijk voor de veiligheid dat deze hele instructie zorgvuldig wordt opgevolgd. Een onjuiste installatie of foutief gebruik van het product kunnen ernstig persoonlijk letsel veroorzaken.

1. Lees de instructies aandachtig door alvorens te beginnen met de installatie van het product.
2. De verpakkingsmaterialen (plastic, polystyreen, enz.) mogen niet binnen het bereik van kinderen worden gelaten, want zij vormen een mogelijke bron van gevaar.
3. Bewaar de instructies voor raadpleging in de toekomst.
4. Dit product is uitsluitend ontworpen en gebouwd voor het doel dat in deze documentatie wordt aangegeven. Elk ander gebruik, dat niet uitdrukkelijk wordt vermeld, zou het product kunnen beschadigen en/of een bron van gevaar kunnen vormen.
5. GENIUS aanvaardt geen enkele aansprakelijkheid voor schade die ontstaat uit oneigenlijk gebruik of ander gebruik dan waarvoor het automatische systeem is bedoeld.
6. Installeer het apparaat niet in een explosiegevaarlijke omgeving: de aanwezigheid van ontvlambare gassen of dampen vormt een ernstig gevaar voor de veiligheid.
7. De mechanische bouwelementen moeten in overeenstemming zijn met de bepalingen van de normen EN 12604 en EN 12605.
8. Voor niet-EEG landen moeten, om een goed veiligheidsniveau te bereiken, behalve de nationale voorschriften ook de bovenstaande normen in acht worden genomen.
9. GENIUS is niet aansprakelijk als de regels der goede techniek niet in acht genomen zijn bij de bouw van het sluitwerk dat gemotoriseerd moet worden, noch voor vervormingen die zouden kunnen ontstaan bij het gebruik.
10. De installatie dient te geschieden in overeenstemming met de normen EN 12453 en EN 12445. Het veiligheidsniveau van het automatische systeem moet C+D zijn.
11. Alvorens ingrepen te gaan verrichten op de installatie moet de elektrische voeding worden weggenomen en moeten de batterijen worden afgekoppeld.
12. Zorg op het voedingsnet van het automatische systeem voor een meerpolige schakelaar met een opening tussen de contacten van 3 mm of meer. Het wordt geadviseerd een magnetothermische schakelaar van 6A te gebruiken met meerpolige onderbreking.
13. Controleer of er bovenstrooms van de installatie een differentieelschakelaar is geplaatst met een limiet van 0,03 A.
14. Controleer of de aardingsinstallatie vakkundig is aangelegd en sluit er de metalen delen van het sluitsysteem op aan.
15. Het automatische systeem beschikt over een intrinsieke beveiliging tegen inklemming, bestaande uit een controle van het koppel. De inschakelmoment hiervan dient echter te worden gecontroleerd volgens de bepalingen van de normen die worden vermeld onder punt 10.
16. De veiligheidsvoorzieningen (norm EN 12978) maken het mogelijk eventuele gevaarlijke gebieden te beschermen tegen Mechanische gevaren door beweging, zoals bijvoorbeeld inklemming, meesleuren of amputatie.
17. Het wordt voor elke installatie geadviseerd minstens één lichtsignaal te gebruiken alsook een waarschuwingbord dat goed op de constructie van het hang- en sluitwerk dient te worden bevestigd, afgezien nog van de voorzieningen die genoemd zijn onder punt "16".
18. GENIUS aanvaardt geen enkele aansprakelijkheid voor wat betreft de veiligheid en de goede werking van het automatische systeem, als er in de installatie gebruik gemaakt wordt van componenten die niet door GENIUS zijn geproduceerd.
19. Gebruik voor het onderhoud uitsluitend originele GENIUS-onderdelen.
20. Verricht geen wijzigingen op componenten die deel uitmaken van het automatische systeem.
21. De installateur dient alle informatie te verstrekken over de handbediening van het systeem in noodgevallen, en moet de gebruiker van de installatie het bij het product geleverde boekje met aanwijzingen overhandigen.
22. De toepassing mag niet worden gebruikt door kinderen, personen met lichamelijke, geestelijke en sensorische beperkingen, of door personen zonder ervaring of de benodigde training.
23. Sta het niet toe dat kinderen of volwassenen zich ophouden in de buurt van het product terwijl dit in werking is.
24. Houd radio-afstandsbedieningen of alle andere impulsgevers buiten het bereik van kinderen, om te voorkomen dat het automatische systeem onopzettelijk kan worden aangedreven.
25. Ga alleen tussen de vleugels door als het hek helemaal geopend is.
26. De gebruiker mag zelf geen pogingen ondernemen tot reparaties of andere directe ingrepen, en dient zich uitsluitend te wenden tot gekwalificeerd en geautoriseerd GENIUS-personeel of een erkend GENIUS-servicecentrum.
27. Alles wat niet uitdrukkelijk in deze instructies wordt aangegeven, is niet toegestaan

DEUTSCH

HINWEISE FÜR DEN INSTALLATIONSTECHNIKER

ALLGEMEINE SICHERHEITSVORSCHRIFTEN



ACHTUNG! Um die Sicherheit von Personen zu gewährleisten, sollte die Anleitung aufmerksam befolgt werden. Eine falsche Installation oder ein fehlerhafter Betrieb des Produktes können zu schwerwiegenden Personenschäden führen.

1. Bevor mit der Installation des Produktes begonnen wird, sollten die Anleitungen aufmerksam gelesen werden.
2. Das Verpackungsmaterial (Kunststoff, Styropor, usw.) sollte nicht in Reichweite von Kindern aufbewahrt werden, da es eine potentielle Gefahrenquelle darstellt.
3. Die Anleitung sollte aufbewahrt werden, um auch in Zukunft Bezug auf sie nehmen zu können.
4. Dieses Produkt wurde ausschließlich für den in diesen Unterlagen angegebenen Gebrauch entwickelt und hergestellt. Jeder andere Gebrauch, der nicht ausdrücklich angegeben ist, könnte die Unversehrtheit des Produktes beeinträchtigen und/oder eine Gefahrenquelle darstellen.
5. Die Firma GENIUS lehnt jede Haftung für Schäden, die durch unsachgemäßen oder nicht bestimmungsgemäßen Gebrauch der Automatik verursacht werden, ab.
6. Das Gerät sollte nicht in explosionsgefährdeten Umgebungen installiert werden: das Vorhandensein von entflammenden Gasen oder Rauch stellt ein schwerwiegendes Sicherheitsrisiko dar.
7. Die mechanischen Bauelemente müssen den Anforderungen der Normen EN 12604 und EN 12605 entsprechen.
8. Für Länder, die nicht der Europäischen Union angehören, sind für die Gewährleistung eines entsprechenden Sicherheitsniveaus neben den nationalen gesetzlichen Bezugsvorschriften die oben aufgeführten Normen zu beachten.
9. Die Firma GENIUS übernimmt keine Haftung im Falle von nicht fachgerechten Ausführungen bei der Herstellung der anzutreibenden Schließvorrichtungen sowie bei Deformationen, die eventuell beim Betrieb entstehen.
10. Die Installation muß unter Beachtung der Normen EN 12453 und EN 12445 erfolgen. Die Sicherheitsstufe der Automatik sollte C+D sein.
11. Vor der Ausführung jeglicher Eingriffe auf der Anlage sind die elektrische Versorgung und die Batterie abzunehmen.
12. Auf dem Versorgungsnetz der Automatik ist ein omnipolarer Schalter mit Öffnungsabstand der Kontakte von über oder gleich 3 mm einzubauen. Darüber hinaus wird der Einsatz eines Magnetschutzschalters mit 6A mit omnipolarer Abschaltung empfohlen.
13. Es sollte überprüft werden, ob vor der Anlage ein Differentialschalter mit einer Auslöseschwelle von 0,03 A zwischen geschaltet ist.
14. Es sollte überprüft werden, ob die Erdungsanlage fachgerecht ausgeführt wurde. Die Metallteile der Schließung sollten an diese Anlage angeschlossen werden.
15. Die Automatik verfügt über eine eingebaute Sicherheitsvorrichtung für den Quetschschutz, die aus einer Drehmomentkontrolle besteht. Es ist in jedem Falle erforderlich, deren Eingriffsschwelle gemäß der Vorgaben der unter Punkt 10 angegebenen Vorschriften zu überprüfen.
16. Die Sicherheitsvorrichtungen (Norm EN 12978) ermöglichen den Schutz eventueller Gefahrenbereiche vor mechanischen Bewegungsrisiken, wie zum Beispiel Quetschungen, Mitschleifen oder Schnittverletzungen.
17. Für jede Anlage wird der Einsatz von mindestens einem Leuchtsignal empfohlen sowie eines Hinweisschildes, das über eine entsprechende Befestigung mit dem Aufbau des Tors verbunden wird. Darüber hinaus sind die unter Punkt "16" erwähnten Vorrichtungen einzusetzen.
18. Die Firma GENIUS lehnt jede Haftung hinsichtlich der Sicherheit und des störungsfreien Betriebs der Automatik ab, soweit Komponenten auf der Anlage eingesetzt werden, die nicht im Hause GENIUS hergestellt wurden.



FAAC S.p.A.

Via Calari, 10 - 40069 Zola Predosa BOLOGNA - ITALIA

Tel. +39 051 61724 - Fax +39 051 758518

www.faac.it - www.faacgroup.com