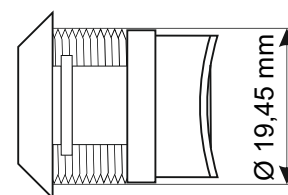
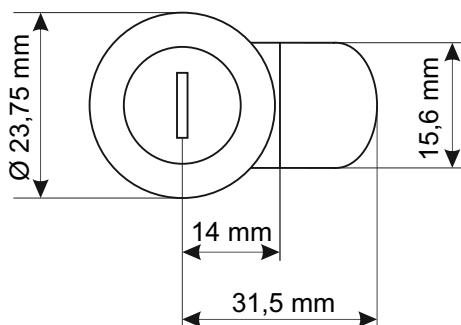
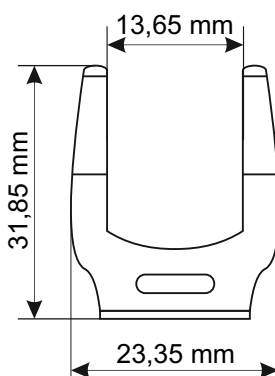
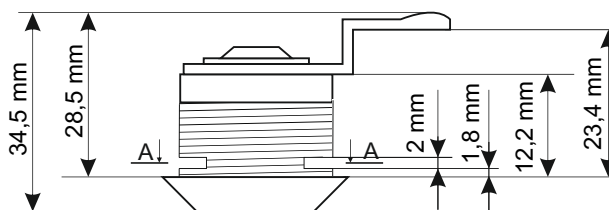
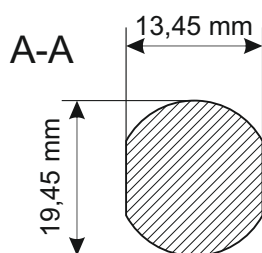


CODE: **MR027** v.1.0/III  
NAME: **Lock, type 876 – repeatable code**

EN



## DESTINATION

Lock for casings.

## TECHNICAL DATA

- Notes:
- lock with repeatable code 9081 - type 876
  - a set contains two keys
  - compatible with enclosures for SSWIN