

## NDV-5703-A Fixed dome 5MP HDR 3.2-10.5mm FLEXIDOME indoor 5100i



- ▶ 5 MP for highly detailed images
- ▶ Starlight camera technology with excellent low-light performance
- ▶ IVA Pro brings highly reliable deep-learning based detection of persons and vehicles to scenes ranging from sterile zones to crowded and congested
- ▶ High Dynamic Range to see every detail in both bright and dark areas of the scene

The camera is a versatile and professional surveillance camera for indoor monitoring. It delivers exceptional image quality, starlight performance and High Dynamic Range at 5 MP resolution for highly detailed image for demanding security and surveillance network requirements.

Built-in Intelligent Video Analytics Pro (IVA Pro) enriches full situational awareness and triggers relevant alerts. The cameras offer a 1/2.7" sensor and HDR technology at 5 MP resolution that provides high performance in extreme low light environments.

The modular structure design uses a click and rotate mechanism on mounting plate or base that requires no hardware to secure the camera to housing for fast installation, including compatibility with various mounting options.

### Functions

#### H.265 high-efficiency video encoding

The camera is designed on the most efficient and powerful H.264 and H.265/HEVC encoding platform. The camera is capable of delivering high-quality and high-resolution video with very low network load. With a doubling of encoding efficiency, H.265 has become the new compression standard of choice for IP video surveillance systems.

#### Intelligent Video Analytics Pro (IVA Pro)

The camera comes with IVA Pro Buildings pre-installed and brings highly reliable deep-learning based detection and tracking of persons and vehicles to scenes ranging from sterile zones to crowded and congested. Being extremely resistant to false triggers caused by challenging

environments with rain, wind (moving trees), snow, hail, and water reflections as well as shadows and bugs, it reliably detects, tracks, and classifies objects. A smart set of alarm and counter rules allows to alert you when predefined alarms are triggered, and to forensically search with high efficiency through recordings. Configuration effort is minimized and made easy by removing the need for calibration.

Optionally the camera can be licensed with IVA Pro Perimeter or IVA Pro Traffic to optimize the camera analytics for specific enterprise use-cases.

#### Two-way audio

Two-way audio allows the operator to communicate with visitors or intruders via an external audio line input and output. By using the external microphone, audio detection can be used to generate alarms to alert the security operator quicker and act more proactively.

#### DORI coverage

DORI (Detect, Observe, Recognize, Identify) is a standard system (EN-62676-4) for defining the ability of a person viewing the video to distinguish persons or objects within a covered area. The maximum distance at which a camera/lens combination can meet these criteria is shown below:

#### 5 MP camera with 3.2-10.5 mm lens\*

| DORI   | DORI definition      | Distance<br>3.2 mm /<br>10.5 mm   | Horizontal width  |
|--------|----------------------|-----------------------------------|-------------------|
| Detect | 25 px/m<br>(8 px/ft) | 48 m / 200 m<br>(147 ft / 656 ft) | 104 m<br>(341 ft) |

| DORI      | DORI definition        | Distance                        | Horizontal width |
|-----------|------------------------|---------------------------------|------------------|
|           |                        | 3.2 mm /<br>10.5 mm             |                  |
| Observe   | 63 px/m<br>(19 px/ft)  | 19 m / 79 m<br>(62 ft / 259 ft) | 41 m<br>(135 ft) |
| Recognize | 125 px/m<br>(38 px/ft) | 10 m / 40 m<br>(33 ft / 131 ft) | 21 m<br>(69 ft)  |
| Identify  | 250 px/m<br>(76 px/ft) | 5 m / 20 m<br>(16 ft / 66 ft)   | 10 m<br>(33 ft)  |

\*The numbers in this table do not reflect IVA distances. For IVA distances, refer to the lens calculator / Bosch IP video design tool.

### Scene modes

Multiple configurable modes are provided with the best settings for a variety of applications. In one click fully optimized image settings can be selected to suit the conditions. Different scene modes can be selected for different situations such as sodium lighting, fast moving objects, or dark environments.

### Resists rain, dust, and tampering with reliable operation across a wide temperature range

The camera is suitable for indoor usage. The camera can operate in a wide ambient temperature range between -20 °C to +50 °C (-4 °F to +122 °F).

The robust design of the camera is rated to IP54 and IK10 standards, safeguarding the camera against rain and dust while also offering protection against vandalism and tampering.

### Easy installation

The mechanical design follows the Bosch installation philosophy by using an installation mount plate and easy cable management.

Power can be supplied via Power-over-Ethernet. With this configuration, only a single cable connection is required to view, power, and control the camera. Using PoE makes installation easier and more cost effective, as cameras do not require a local power source.

For trouble-free network cabling, the camera supports Auto-MDIX which allows the use of straight or cross-over cables.

The AVF (Automatic Varifocal) feature makes it easy for installers to adjust zoom position without opening the camera. The automatic motorized zoom/focus adjustment with 1:1 pixel mapping ensures the camera is always accurately focused.

### Data security

Special measures have been put in place to ensure the highest level of security for device access and data transport. The three-level password protection with security recommendations allows users to customize device access. Web browser access can be protected using HTTPS and firmware updates can also be protected

with authenticated secure uploads. The cameras have built-in Secure Element (SE) hardware providing main Trusted Platform Module (TPM) functionality to ensure the highest levels of data security and privacy protection. Together with Public Key Infrastructure (PKI) support, superior protection from malicious attacks is guaranteed. With future firmware updates, it will also support RSA encryption key lengths of up to 4096 bits, ensuring data safety beyond 2030. 802.1x network authentication with EAP/TLS will also be added. The advanced certificate handling offers:

- Bosch origin device certificate pre-installed
- Self-signed unique certificates automatically created when required
- Client and server certificates for authentication
- Client certificates for proof of authenticity
- Certificates with encrypted private keys

### More flexibility in streaming capabilities

The camera has four independent encoder streams. Users can do the following:

- Configure each stream individually to change the video resolution and the frame rate
- Select the coding standard (H.264/H.265) for each stream
- Configure a set of eight encoder profiles for each stream

### Edge recording

Insert a memory card into the card slot to store up to 2 TB of local alarm recording. Pre-alarm recording in RAM reduces recording bandwidth on the network, and extends the effective life of the memory card.

It has advanced edge recording providing a reliable storage solution possible due to the combination of these functions:

- Industrial SD card support allows for extreme lifetime
- Health monitoring of industrial SD cards provide early service indications.

### High Dynamic Range

The camera has High Dynamic Range. This is based on a multiple-exposure process that captures more details in the highlights and in the shadows even in the same scene. The result is that you can easily distinguish objects and features, for example, faces with bright backlight.

The actual dynamic range of the camera is measured using Opto-Electronic Conversion Function (OECF) analysis according to IEC 62676 Part 5. This method is used to provide standardized measurements, which can be used to compare different cameras.

### Automatic image rotation

The integrated gyro/accelerometer sensor automatically corrects the image orientation in steps of 90° if the camera is mounted at right angles or upside down. The sensor image can also be rotated manually through steps of 90°.

To efficiently capture details in long hallways without loss of resolution, mount the camera at right angles. The image is displayed upright at full resolution on your monitor.

#### System Integration and ONVIF conformance

The camera conforms to the ONVIF Profile S, ONVIF Profile G, ONVIF Profile T, and ONVIF Profile M specifications. For H.265 configuration, the camera supports Media Service 2, which is part of ONVIF Profile T. Compliance with these standards guarantees interoperability between network video products regardless of manufacturer. Third-party integrators can easily access the internal feature set of the camera for integration into large projects.

Visit the Bosch Integration Partner Program (IPP) website ([ipp.boschsecurity.com](http://ipp.boschsecurity.com)) for more information.

#### Modular accessories

A full line of modular accessories is available, which allows a consistent design across different cameras and a wide range of installation possibilities. Available options include wall or pipe mount, a surveillance cabinet with power, and an in-ceiling mounting kit.

#### Cloud-based services

The camera supports time-based or alarm-based JPEG posting to four different accounts. These accounts can address FTP servers or cloud-based storage. Video clips or JPEG images can also be exported to these accounts. Alarms can be set up to trigger an e-mail or SMS notification so you are always aware of abnormal events.

#### Bosch Remote Portal

With the secure cloud infrastructure, Bosch Remote Portal, you can manage your connected Bosch devices. From the Bosch Remote Portal you can:

- Complete initial configuration of your connected Bosch devices (online or offline).
- Update firmware for single or multiple devices.
- Manage certificates.
- Monitor the health of your connected Bosch devices.

#### Project Assistant app

As the camera is equipped with a USB-C port for a wireless USB dongle (sold separately: NCA-WLAN-EU, NCA-WLAN-NA), the installer can easily perform the initial configuration wirelessly. Using a mobile device with the Bosch Project Assistant app, you can do initial set-up and lens zoom-focus to find the right scene. Simply connect the wireless USB dongle and go to the Bosch Project Assistant app, available for iOS, Windows, or Android.

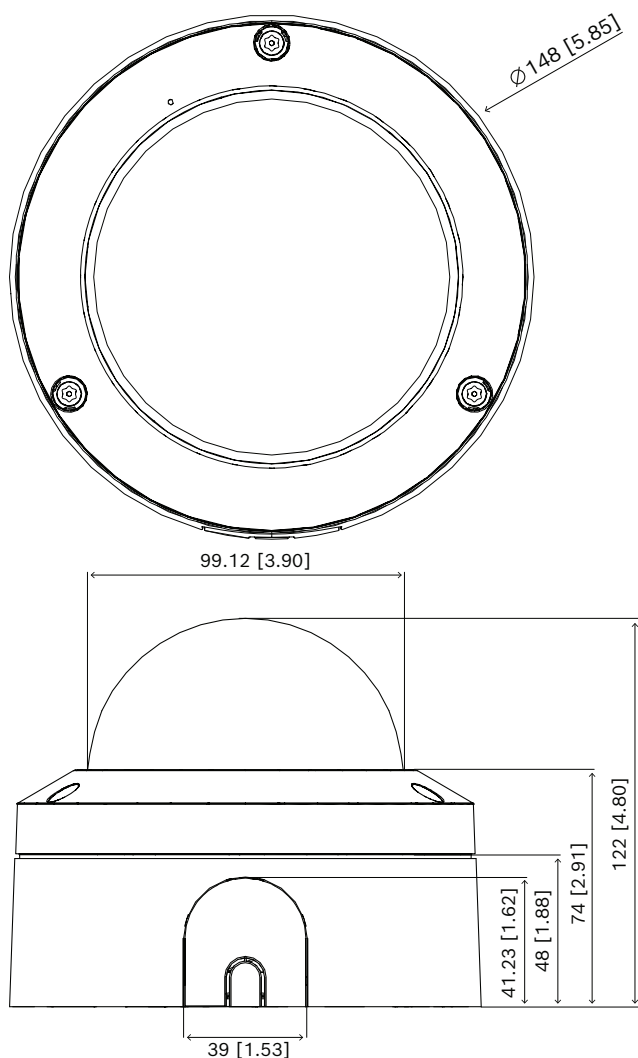
| Type               | Standard   |
|--------------------|--|
|                    | CFR 47 FCC part 15 (Class B)<br>ICES-003 (Class B)<br>VCCI CISPR 32<br>AS/NZS CISPR 32             |
| Immunity           | EN 50121-4<br>EN 50130-4   |
| Environmental      | EN 50130-5, Class II<br>EN IEC 63000<br>RoHS EU, 2011/65/EU and 2015/863/EU<br>WEEE EU, 2012/19/EU |
| Safety             | EN 62368-1<br>IEC 62368-1<br>UL 62368-1  |
| Image performance  | IEC 62676-5  |
| Impact protection  | EN 62262 (IK10): 2002  |
| Ingress protection | EN 60529 (IP54)  |
| ONVIF conformance  | EN 50132-5-2, EN 62676-2   |
| Marks              | CE, FCC, UL, WEEE, RCM, VCCI, UKCA, China RoHS, BIS  |
| Compliance         | NDA compliant  |

| Region        | Regulatory compliance/quality marks |  |
|---------------|-------------------------------------|--|
| Europe        | CE                                  |  |
| USA           | UL 2900-2-3 CAP                     | 4791462681-003 Cybersecurity Assurance Program |
| Global        | IEC 62443-4-1                       | Industrial Cyber Security Capability           |
| Great Britain | UKCA                                |  |

### Regulatory information

| Type     | Standard           |
|----------|--------------------|
| Emission | EN 55032 (Class B) |

## Installation/configuration notes



Dimensions in mm (inch)

## Parts included

| Quantity | Component                                      |
|----------|--|
| 1        | FLEXIDOME indoor 5100i - 5 MP camera           |
| 1        | T-20 security Torx Allen key                   |
| 1        | 4-pin terminal block                           |
| 1        | Adapter plate for cable conduit (Ø 3/4" / M25) |
| 1        | Adapter plate for cable conduit (Ø 1/2" / M20) |
| 1        | RJ45 guider                                    |
| 1        | Mount plate                                    |
| 1        | Safety information                             |
| 1        | Quick installation guide                       |

## Technical specifications

## Electrical

|   |  |
|---|--|
| Input voltage (DC)                            | 48 VDC nominal                             |
| Power consumption PoE (W) (typical – maximum) | 5.20 W – 6.2 W                             |
| PoE input                                     | PoE IEEE 802.3af / 802.3at Type 1, Class 3 |

## Platform

|                         |                            |
|-------------------------|----------------------------|
| Common Product Platform | CPP14                      |
| Memory (MB)             | 2048 MB RAM, 8192 MB Flash |

## Sensor

|                          |                 |
|--------------------------|-----------------|
| Total sensor pixels      | 5 MP approx.    |
| Sensor type              | 1/2.7 inch CMOS |
| Effective pixels (H x V) | 2,688 x 1,944   |

## Sensitivity

|  |           |
|--|-----------|
| Color (lx) (sensitivity measured according to IEC 62676 Part 5)      | 0.0440 lx |
| Monochrome (lx) (sensitivity measured according to IEC 62676 Part 5) | 0.01 lx   |

## Dynamic range

|   |        |
|---|--------|
| Wide Dynamic Range (WDR) (dB)               | 120 dB |
| Measured according to IEC 62676 Part 5 (dB) | 105 dB |

## Video streaming

|                                  |   |
|----------------------------------|---|
| Video compression                | H.264 (ISO/IEC 14496-10); M-JPEG; H.265/HEVC  |
| Streaming                        | Multiple configurable streams in H.265; H.264 and M-JPEG; Configurable framerate and bandwidth; Bosch Intelligent Streaming |
| Camera processing latency        | <120 ms (at 5MP30) (Camera-internal latency only, achievable with settings excluding all image enhancements)                |
| GOP structure                    | IP; IBP; IBBP   |
| Frame rate (fps)                 | 1 fps – 30 fps  |
| Video signal-to-noise ratio (dB) | >55 dB  |

## Video resolution

|            |             |
|------------|-------------|
| 5 MP (4:3) | 2592 × 1944 |
|------------|-------------|

|                     |             |
|---------------------|-------------|
| Upright mode 5 MP   | 1944 × 2592 |
| 4 MP (4:3)          | 2304 × 1728 |
| Upright mode 4 MP   | 1728 × 2304 |
| 2.8 MP (4:3)        | 1920 × 1440 |
| Upright mode 2.8 MP | 1440 × 1920 |
| 1.2 MP (4:3)        | 1280 × 960  |
| Upright mode 1.2 MP | 960 × 1280  |
| 480p SD             | 640 × 480   |
| 3.8 MP (16:9)       | 2592 × 1456 |
| Upright mode 3.8MP  | 1456 × 2592 |
| 1080p HD            | 1920 × 1080 |
| Upright mode 1080p  | 1080 × 1920 |
| 1.3MP (16:9)        | 1536 × 864  |
| Upright mode 1.3MP  | 864 × 1536  |
| 720p                | 1280 × 720  |

### Video functions

|                         |   |
|-------------------------|---|
| Day/night modes         | Auto (adjustable switch points); Color; Monochrome  |
| Camera functionality    | Mirror image; Rotation 90°; Rotation 180°; Rotation 270° including upright mode; Backlight compensation (BLC); Sharpness enhancement; Intelligent defog; Pixel counter; Saturation; Brightness; Video watermarking; Display stamping; Location; Electronic image stabilization (gyro-based) |
| White balance (K)       | 2,500 K – 10,000 K  |
| White balance modes     | Basic; Standard; Sodium vapor; Manual mode; Hold mode; 3 automatic modes  |
| Shutter modes           | Automatic Electronic Shutter (AES); 1/25 min; 1/15,000 max; Default shutter   |
| Number of privacy masks | 8   |
| Scene modes             | Multiple default modes  |

### Video content analysis

|               |                                    |
|---------------|------------------------------------|
| Analysis type | IVA Pro Buildings; IVA Pro Privacy |
|---------------|------------------------------------|

|                               |  |
|-------------------------------|--|
| Alarm triggers                | Any object; Object in field; Line crossing; Enter / leave field; Loitering; Follow route; Counting; Occupancy; Condition change; Similarity search; Objects stopping or starting to move |
| Object filters                | Duration; Size; Aspect ratio; Direction; Color; Object classes   |
| Object classes                | Available by default: Person, Vehicle<br>Available with optional IVA Pro: Bicycle, Motorcycle, Truck, Bus  |
| Audio detection               | Detection of audio to generate an alarm  |
| Supported analytics (license) | IVA Pro Perimeter; IVA Pro Traffic; IVA Pro Appearance; IVA Pro Personal Protective Equipment; IVA Pro Visual Gun Detection  |

### Optical

|                          |                          |
|--------------------------|--------------------------|
| Lens type                | 3.2 to 10.5 mm           |
| F-stop                   | 1.6                      |
| Iris control             | P-iris                   |
| IR corrected             | Yes                      |
| Day / Night              | Switchable IR-cut filter |
| Zoom/focus control       | Motorized                |
| Horizontal field of view | 96° - 29°                |
| Vertical field of view   | 71° - 22°                |

### Inputs and outputs

|                |                               |
|----------------|-------------------------------|
| Audio line in  | 0.6 Vrms max, 10 kOhm typical |
| Audio line out | 1.0 Vrms at 10 kOhm typical   |
| Ethernet       | Shielded RJ45                 |

### Audio

|                                    |   |
|------------------------------------|---|
| Audio input                        | Line-in; Mic-level input  |
| Audio output                       | Line-out  |
| Compression and sampling rate      | G.711 8 kHz; L16 16 kHz; AAC-LC 80kbps 16 kHz; AAC-LC 48kbps 16 kHz |
| Minimum signal-to-noise ratio (dB) | 50 dB   |
| Audio streaming                    | Full duplex; Half duplex  |

**Storage**

|                           |   |
|---------------------------|---|
| Internal storage          | 5-s-pre-alarm-recording   |
| Memory card slot          | Micro SDHC; Micro SDXC (a memory card of Class 6 or higher is recommended for HD recording)                         |
| Memory card capacity (GB) | 32 GB for Micro SDHC; 2 TB for Micro SDXC   |
| Industrial SD cards       | Extreme lifetime and health monitoring support that provides early service indication (if supported by the SD card) |
| Recording mode            | Continuous (ring); Scheduled; Alarm; Event  |

**Data security**

|                          |                                    |
|--------------------------|------------------------------------|
| Crypto coprocessor (TPM) | AES/CBC 256 bit; RSA 4096 bit      |
| PKI                      | X.509 certificates                 |
| End-to-end encryption    | Full end-to-end with supported VMS |
| Encryption               | TLS 1.2; AES 256; AES 128; TLS 1.3 |
| Local storage encryption | AES-XTS                            |
| Video authentication     | MD5; SHA-1; SHA-256; Checksum      |
| Firmware protection      | Signed firmware, secure boot       |

**Capacity**

|                            |   |
|----------------------------|---|
| Number of RJ45 connections | 1 |
|----------------------------|---|

**Connectivity**

|                     |   |
|---------------------|---|
| Number of USB ports | 1 (USB 2.0 Type C, for use with wireless USB dongle for setup and commissioning, sold separately) |
|---------------------|---|

**Network**

|               |  |
|---------------|--|
| Ethernet type | 10/100BASE-T; Auto-sensing; Full / half duplex |
|---------------|--|

**System integration**

|                       |  |
|-----------------------|--|
| Protocols / standards | IPv4; IPv6; UDP; TCP; HTTP; HT-TPS; RTP/RTCP; IGMP V2/V3; ICMP; ICMPv6; RTSP; FTP; ARP; DHCP; APIPA (Auto-IP, link local address); NTP (SNTP); SNMP (V1, MIBII); SNMP (V3, MIBII); 802.1x, EAP/TLS; DNS; DNSv6; DDNS (DynDNS.org, selfHOST.de, no-ip.com); SMTP; iSCSI; UPnP (SSDP); DiffServ (QoS); LLDP; SOAP; CHAP; Digest authentication |
|-----------------------|--|

|            |   |
|------------|---|
| Conformity | ONVIF Profile S; ONVIF Profile G; ONVIF Profile T; Auto-MDIX; ONVIF Profile M |
|------------|---|

**Mechanical**

|   |  |
|---|--|
| 3-axis adjustment (pan / tilt / rotation) | 355° / 85° / 350°  |
| Dimensions (Ø x H) (mm)                   | 148 mm x 122 mm  |
| Dimensions (Ø x H) (in)                   | 5.83 in x 4.80 in  |
| Weight (g)                                | 920 g  |
| Weight (lb)                               | 2.03 lb  |
| Color                                     | White  |
| Color (RAL)                               | RAL 9003 Signal white  |
| Gyroscope                                 | Yes  |
| Bubble material                           | Clear polycarbonate, clear with anti-scratch coating   |
| Material                                  | Polycarbonate, re-paintable  |
| Mounting type                             | Surface-mounted (mount plate included); 4-inch square junction box, single and double gang box, 1/4-inch 20 UNC screw thread |
| Conduit                                   | 3/4-inch NPT(M25) and 1/2-inch NPT (M20) conduit side entry  |

**Environmental**

|   |   |
|---|---|
| Operating temperature (°C)                      | -20 °C – 50 °C for continuous operation |
| Operating temperature (°F)                      | -4 °F – 122 °F for continuous operation |
| Cold start temperature (°C)                     | -20 °C                                  |
| Cold start temperature (°F)                     | -4 °F                                   |
| Storage temperature (°C)                        | -30 °C – 70 °C                          |
| Storage temperature (°F)                        | -22 °F – 158 °F                         |
| Operating relative humidity, non-condensing (%) | 5% – 93%                                |
| Operating relative humidity, condensing (%)     | 5% – 100%                               |
| Storage relative humidity (%)                   | 0% – 98%                                |
| Impact protection                               | IK10                                    |
| IP rating                                       | IP54                                    |
| Usage   | Indoor                                  |

|                   |          |
|-------------------|----------|
| Sustainability    | PVC-free |
| Country of origin | Thailand |

### Ordering information

#### NDV-5703-A Fixed dome 5MP HDR 3.2-10.5mm

Professional IP fixed dome camera for indoor 30 fps surveillance with H.264/H.265 and IVA Pro Buildings, 5 MP, IP54, IK10  
NDAA compliant  
Order number **NDV-5703-A**

### Accessories

#### NDA-5070-IC In-ceiling mount kit

In-ceiling mount kit for FLEXIDOME indoor 5100i, FLEXIDOME indoor 5100i IR, FLEXIDOME outdoor 5100i, and FLEXIDOME outdoor 5100i IR  
Order number **NDA-5070-IC**

#### NDA-5070-PLEN In-ceiling plenum kit, 148mm

Plenum-rated in-ceiling mount kit for FLEXIDOME indoor 5100i, FLEXIDOME indoor 5100i IR, FLEXIDOME outdoor 5100i, and FLEXIDOME outdoor 5100i IR  
Order number **NDA-5070-PLEN**

#### NDA-5070-LWMT L shape wall mount for FLEXIDOME 5100i

L-shaped wall mount for FLEXIDOME indoor 5100i, FLEXIDOME indoor 5100i IR, FLEXIDOME outdoor 5100i, FLEXIDOME outdoor 5100i IR, and FLEXIDOME IP 3000i IR  
Order number **NDA-5070-LWMT**

#### NDA-5080-PIP Pendant interface plate, 148mm

Pendant interface plate for FLEXIDOME indoor 5100i, FLEXIDOME indoor 5100i IR, and FLEXIDOME panoramic 5100i IR  
Order number **NDA-5080-PIP**

#### NDA-5070-PC Paintable cover, FLEXIDOME 5100i, 4pcs

Paintable cover (4 pieces) for FLEXIDOME 5100i and FLEXIDOME 5100i IR  
Order number **NDA-5070-PC**

#### NDA-5070-CBL Bubble, clear for FLEXIDOME 5100i

Clear replacement bubble for FLEXIDOME indoor 5100i and FLEXIDOME outdoor 5100i  
Order number **NDA-5070-CBL**

#### NDA-5070-TBL Bubble, tinted for FLEXIDOME 5100i

Tinted bubble for FLEXIDOME indoor 5100i and FLEXIDOME outdoor 5100i  
Order number **NDA-5070-TBL**

#### NDA-U-CBB Conduit back box, 148mm

Outdoor conduit back box, 148mm  
Order number **NDA-U-CBB**

#### NDA-U-CMT Corner mount adapter

Universal corner mount, white  
Order number **NDA-U-CMT**

#### NDA-U-PMAS Pole mount adapter small

Pole mount adapter small  
Universal pole mount adapter, white; small.  
Order number **NDA-U-PMAS**

#### NDA-U-PMAL Pole mount adapter large

Universal pole mount adapter, white; large  
Order number **NDA-U-PMAL**

#### NDA-U-PSMB Pendant wall/ceiling mount SMB

Surface mount box (SMB) for wall mount or pipe mount.  
Order number **NDA-U-PSMB**

#### NDA-U-WMT Pendant wall mount

Universal wall mount for dome cameras, white  
Order number **NDA-U-WMT**

#### NDA-U-PMT Pendant pipe mount, 12" (31cm)

Universal pipe mount for dome cameras, 31 cm, white  
Order number **NDA-U-PMT**

#### NDA-U-PMTE Pendant pipe extension, 20" (50cm)

Extension for universal pipe mount, 50 cm, white  
Order number **NDA-U-PMTE**

#### NDA-U-PMTG Pendant pipe mount, gang box

Universal pipe mount, compatible with gang box installation for fixed dome cameras only, white  
Order number **NDA-U-PMTG**

#### NDA-U-PMTS Pendant pipe mount, 4" (11 cm)

Universal pendant pipe mount for dome cameras, 11 cm (4"), white  
Order number **NDA-U-PMTS**

#### NDA-U-WMTG Pendant wall mount, gang box

Universal wall mount, compatible with gang box installation for fixed dome cameras only, white  
Order number **NDA-U-WMTG**

#### NPD-3001-WAP Portable installation tool

Bosch camera portable and wireless installation tool  
Order number **NPD-3001-WAP**

#### NPD-5001-POE Midspan, 15W, single port, AC in

Power-over-Ethernet midspan injector for use with PoE enabled cameras; 15.4 W, 1-port  
Weight: 200 g (0.44 lb)  
Order number **NPD-5001-POE**

#### NPD-5004-POE Midspan, 4 port x 15W, AC in

Power-over-Ethernet midspan injector for use with PoE enabled cameras; 15.4 W, 4-ports  
Weight: 620 g (1.4 lb)  
Order number **NPD-5004-POE**

#### MSD-064G IP SECURITY MICROSD CARD 64GB

64 GB industrial microSD card with health status monitoring  
Order number **MSD-064G**

#### MSD-128G IP SECURITY MICROSD CARD 128GB

128 GB industrial microSD card with health status monitoring  
Order number **MSD-128G**

#### MSD-256G IP SECURITY MICROSD CARD 256GB

256 GB industrial microSD card with health status monitoring  
Order number **MSD-256G**

**MNT-ICP-FDC Drop ceiling support kit for FLEXIDOME**

Suspension ceiling support kit for FLEXIDOME IP  
2000/4000/5000/5100i/7000 (except RD series) and  
panoramic 5000/7000 series cameras  
Order number **MNT-ICP-FDC**

---

**NCA-WLAN-EU Wireless installation dongle EU**

Wireless installation dongle for wireless commissioning  
Order number **NCA-WLAN-EU**

---

**NCA-WLAN-NA Wireless installation dongle NA**

Wireless installation dongle for wireless commissioning for  
North America  
Order number **NCA-WLAN-NA**

---

**Software Options****MVC-IVA-PER IVA Pro Perimeter**

Video analytics software for mission-critical perimeter  
security.  
Order number **MVC-IVA-PER**

---

**MVC-IVA-TRA IVA Pro Traffic**

Video analytics software based on deep neural network  
technology for traffic monitoring and Automatic Incident  
Detection.  
Order number **MVC-IVA-TRA**

---

**MVC-IVA-PPE IVA Pro PPE**

Video analytics software based on deep neural network  
technology for detecting personal protective equipment.  
Order number **MVC-IVA-PPE**

---

**MVC-IVA-APC IVA Pro Appearance**

Video analytics software based on deep neural network  
technology for detailed person appearance attributes  
allowing advanced forensic search.  
Order number **MVC-IVA-APC**

---

**MVC-IVA-VGD IVA Pro Visual Gun Detection**

Video analytics software based on deep neural network  
technology, designed to detect upright persons and  
brandished guns.  
Order number **MVC-IVA-VGD**

---

