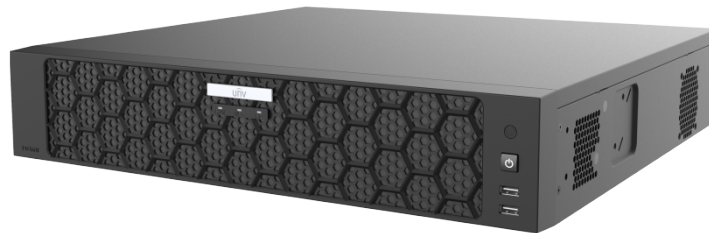


Network Video Recorder

NVR508-E-IQ Series



Features

- Support Ultra 265/H.265/H.264 video formats
- 32/64-channel input
- Support mainstream cameras of ONVIF conformance(Profile S, Profile G, Profile T) and RTSP protocols
- Support 2 HDMI and 2 VGA. VGA1 and HDMI1 simultaneous output, VGA2 and HDMI2 simultaneous output. VGA1/HDMI1 and VGA2/HDMI2 independent output
- Up to 32 Megapixels resolution recording
- Support N+1 Hot spare
- ANR technology to enhance the storage reliability when the network is disconnected
- Support cloud upgrade

Specifications

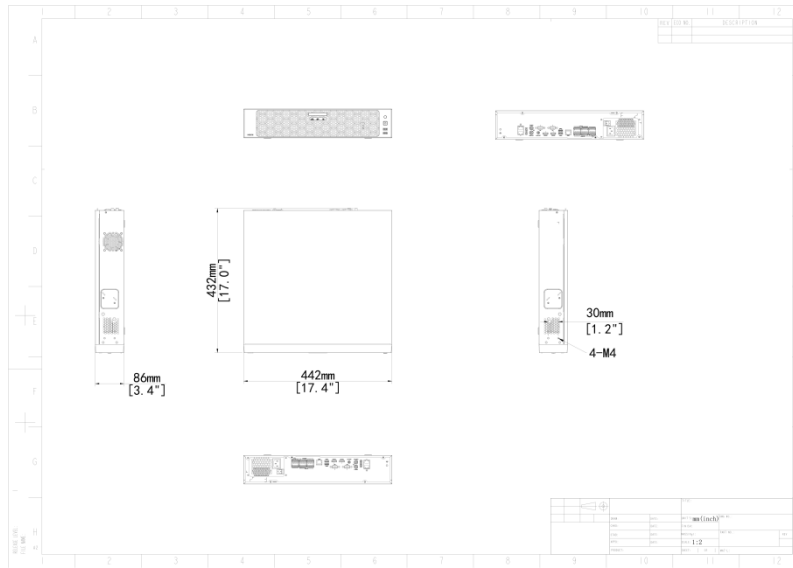
Decoding	Description
Decoding Format	Ultra 265, H.265, H.264
Decoding Capability	<p>NVR508-32E-IQ:Smart Off: 2 x 32MP@30, 4 x 16MP@30, 5 x 12MP@30, 8 x 4K@30, 10 x 6MP@30, 12 x 5MP@30, 16 x 4MP@30, 20 x 3MP@30, 32 x 1080P@30</p> <p>Smart On: 1 x 32MP@30, 3 x 16MP@30, 4 x 12MP@30, 6 x 4K@30, 8 x 6MP@30, 9 x 5MP@30, 12 x 4MP@30, 16 x 3MP@30, 24 x 1080P@30, 32 x 720P@30</p> <p>NVR508-64E-IQ:Smart Off: 2 x 32MP@30, 4 x 16MP@30, 5 x 12MP@30, 8 x 4K@30, 10 x 6MP@30, 12 x 5MP@30, 16 x 4MP@30, 20 x 3MP@30, 32 x 1080P@30, 64 x 720P@30</p>

	Smart On: 1 x 32MP@30, 3 x 16MP@30, 4 x 12MP@30, 6 x 4K@30, 8 x 6MP@30, 9 x 5MP@30, 12 x 4MP@30, 16 x 3MP@30, 24 x 1080P@30, 48 x 720P@30
Decoding Capability Description	*. The resolution of each channel cannot exceed 8192 pixels in length or width.
Audio Compression	G.711A, G.711U
Network	Description
Incoming Bandwidth	Smart Off: 384Mbps Smart On: 200Mbps
Outgoing Bandwidth	Smart Off: 384Mbps Smart On: 200Mbps
Remote Users	128
Protocols	TCP/IP; P2P; NTP; DHCP; PPPoE; HTTP; HTTPS; DNS; DDNS; SNMP; SMTP; NFS; RTSP; 802.1x; IPv6; IPv4
Browser(Plugin)	Windows: IE (IE10/ 11), Firefox (version 52.0 and above), Chrome (version 45 and above), Edge (version 79 and above)
Video/Audio Input	Description
IP Video Input	NVR508-32E-IQ:32-ch NVR508-64E-IQ:64-ch
RCA Audio Input	1-ch
Video/Audio Output	Description
HDMI Output	4K(3840x2160)/60Hz, 4K(3840x2160)/30Hz, 1920x1080/60Hz, 1600x1200/60Hz, 1280x1024/60Hz, 1280x720/60Hz, 1024x768/60Hz
VGA Output	1920x1080/60Hz, 1600x1200/60Hz, 1280x1024/60Hz, 1280x720/60Hz, 1024x768/60Hz
RCA Audio Output	2-ch
Liveview Display	NVR508-32E-IQ:HDMI1 and VGA1: 1/4/6/8/9/16/25/32; HDMI2 and VGA2: 1/4/6/8/9/16 NVR508-64E-IQ:HDMI1 and VGA1: 1/4/6/8/9/16/25/36/64; HDMI2 and VGA2: 1/4/6/8/9/16
Corridor Mode Screen	HDMI1 and VGA1: 3/4/5/7/9/10/12/16/32; HDMI2 and VGA2: 3/4/5/7/9/10/12/16
Two-way Audio	Description
Two-way Audio	1-ch, RCA (Using the audio input and output)
Snapshot	Description
FTP/Schedule/Event Snapshot	16-ch snapshot, up to 4K resolution
Recording	Description
Recording Resolution	32MP/16MP/12MP/8MP/6MP/5MP/4MP/3MP/1080P/960P/720P/D1/2CIF/CIF

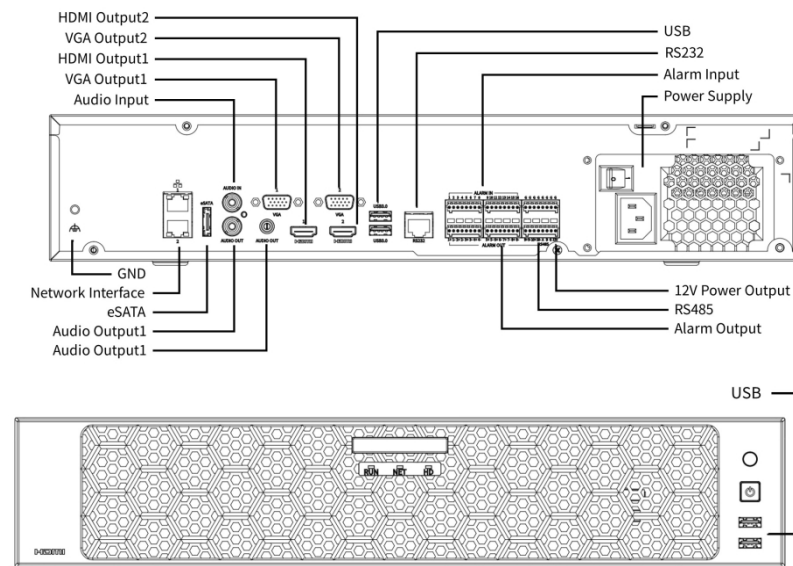
Smart	Description
VCA Detection by IPC	Face Detection; face detection; Vehicle Detection; SIP (Intrusion Detection, Cross Line Detection, Enter Area, Leave Area); Ultra Motion Detection (UMD); Temperature Detection (Fire Detection, Smoking Detection, Temperature Measurement, Smoke and Fire Detection); People Counting (People Flow Counting, Crowd Density Monitoring); Video Metadata; Traffic Monitoring
Smart by NVR	Face Detection; face detection; Smart Intrusion Prevention (SIP); Ultra Motion Detection (UMD)
VCA Search	Motor Vehicle Search; Non-Motor Vehicle Search; Human Body Search; General Search; People Counting Report; Heat Map; SmartSearch+; AcuSearch
Smart by IPC	All channels (up to 16 images/s in total)Face Detection, face detection, Vehicle Detection, Temperature Detection, SIP, UMD, Video Metadata, Traffic Monitoring
Vehicle Picture Library	Up to 5 vehicle picture libraries, with up to 25,000 vehicle pictures in total
SIP by NVR	8-ch
UMD by NVR	16-ch
Capacity of Snapshot Records	3 millions records for face snapshot; 2 millions records for vehicle snapshot; 2 millions records for SIP; 2 millions records for video Metadata
Alarm	Description
General Alarm	Defocus Detection; Scene Change Detection; Object Left Behind; Object Removed; Auto Tracking; Motion Detection; Tampering; Human Body Detection; Video Loss; Alarm Input; Audio Detection
Alert Alarm	IP Conflict; Network Disconnected; Disk Offline; Disk Abnormal; Illegal Access; Hard Disk Space Low; Hard Disk Full; Recording/Snapshot Abnormal; Array Damaged; Array Degraded
GUI Language	Description
GUI Language	38 languages: Simplified Chinese, Traditional Chinese, English, Vietnamese, Thai, Turkish, Spanish (Latin America), Portuguese (Brazil), Spanish, Portuguese, French, German, Italian, Dutch, Polish, Czech, Hungarian, Slovak, Russian, Hebrew, Arabic, Ukrainian, Estonian, Bulgarian, Greek, Romanian, Danish, Swedish, Norwegian, Finnish, Croatian, Slovenia, Serbia, Korean, Japanese, Latvian, Lithuanian, Persian
Hard Disk	Description
SATA	8 SATA Interfaces
Capacity	Up to 16TB for each HDD (The maximum HDD capacity varies with environment temperature)
Disk Group	Support
Redundant Storage	Support

Disk Array Type	RAID 0, 1, 5, 6, 10
External Interface	Description
Network Interface	2 RJ45 10M/100M/1000M self-adaptive Ethernet Interface
USB	Front panel: 2 x USB2.0; Rear panel: 2 x USB3.0
RS485	1
RS232	1
Alarm In	16-ch
Alarm Out	10-ch
eSATA	1
Power Output	12V
Power Supply	AC 100~240V
Working Environment	Description
Working Temperature	-10 °C ~ 50 °C (14 °F ~ 122 °F)
Working Humidity	≤ 90% RH (non-condensing)
Power Consumption (without HDD)	≤ 35W
Dimensions	Description
Weight (without HDD)	≤ 5.5Kg (12.1lb)
Height	2U
Dimensions	442mm × 432mm × 86mm (17.4"×17.0"×3.4")
Certification	Description
Certification	CE; FCC; UL; RoHS; WEEE
CE	EN 55032, EN 61000-3-3, EN IEC 61000-3-2, EN 55035
FCC	Part15 Subpart B

Dimensions



Rear Panel



Zhejiang Uniview Technologies Co., Ltd.

No. 369, Xietong Road, Xixing Sub-district, Binjiang District, Hangzhou City, 310051, Zhejiang Province, China (Zhejiang) Pilot Free Trade Zone, China

Email: overseasbusiness@uniview.com; globalsupport@uniview.com

<http://www.uniview.com>

©2023-2024 Zhejiang Uniview Technologies Co., Ltd. All rights reserved.

*Product specifications and availability are subject to change without notice.

*Despite our best efforts, technical or typographical errors may exist in this document. Uniview cannot be held responsible for any such errors and reserves the right to change the contents of this document without prior notice.