

Roller shutter sensor

Installation guide



code KSI5004000.300

INTRODUCTION

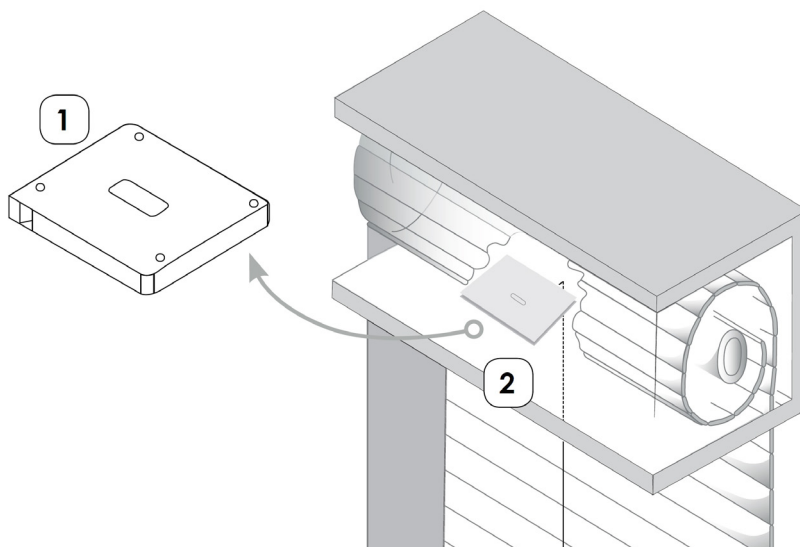
Flush contact for the protection of blinds and rolling shutters. The device is the safest in terms of construction and safety that the market can offer. The actuation of the microswitch occurs through a linkage that closes and opens the microswitch infallibly avoiding the stall condition that normally can occur in the absence of this arrangement. The internal cam is made of polycarbonate, the thread-sliding roller is made of Delrin and slides on a roller in lapped steel. With connection terminals for connection of the two cables.

TECHNICAL DATA

- Detection system: Omron microswitch with gold contacts
- Type of contact: NC (Normally closed)
- Pulse time: 4 ms ÷ 6 ms
- Body Material: ABS
- Cam material: polycarbonate
- Roller material: Derlin on steel
- Cable material: nylon
- Connection: 2 terminals
- Useful length of the lanyard: 2,9 m ÷ 3,1 m
- Operating temperature: - 10°C ~ + 55°C
- Dimensions: 109 x 90 x 14 mm

INSTALLATION

Place the sensor (1) inside the box (2) and fix the end of the cord in the lower part of the roller shutter.



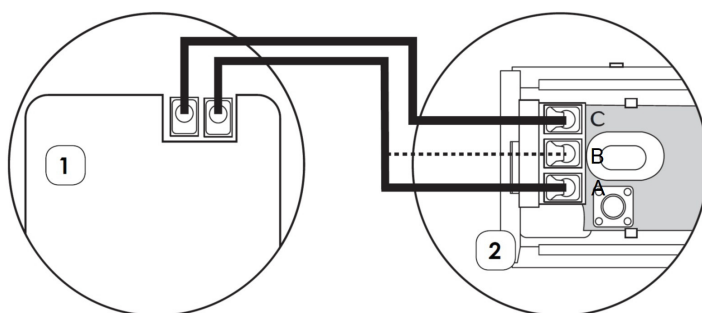
LEGEND

1. Roller shutter sensor
2. Roller shutter box

CONNECTION

Do not connect the device to the control panel mother board or **duo** inputs, only connect the device on inputs that manage the fast zones (**auxi module, auxi-10 module, poli magnetic contact or ergo keypad**).

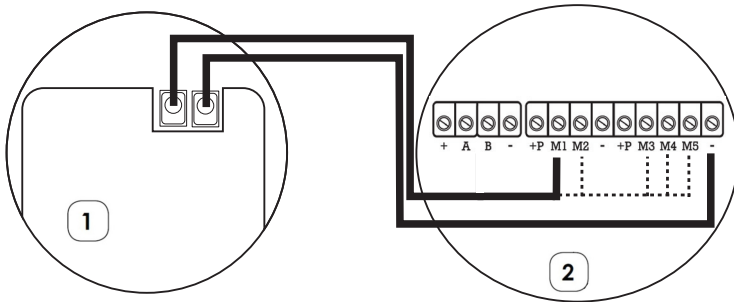
Connection with poli magnetic contact



LEGEND

1. roller shutter sensor
2. poli magnetic contact:
 - A= Auxiliary Input 1
 - B = Auxiliary Input 2
 - C = Common

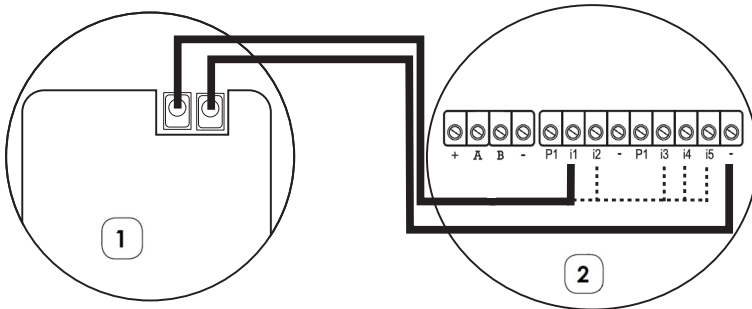
Connection with auxi expansion module



LEGEND

- 1. roller shutter sensor
- 2. auxi module (M1...M5 programmed as inputs)

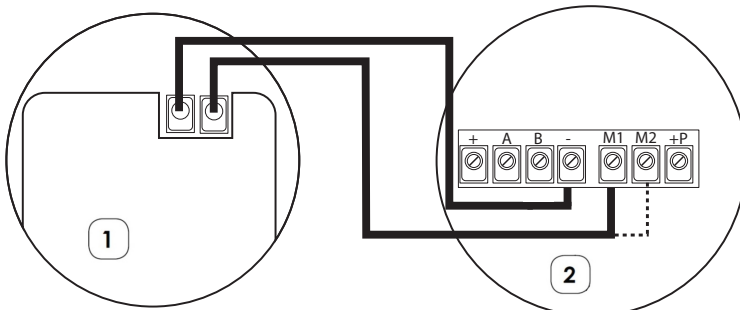
Connection with auxi-10 expansion module



LEGEND

- 1. roller shutter sensor
- 2. auxi-10 module (i1...i5 inputs)

Connection with ergo keypad



LEGEND

- 1. roller shutter sensor
- 2. ergo keypad (M1-M2 programmed as inputs)

Technical data, appearance, functionality and other product characteristics may change without notice.

COMPLIANCE

Europe CE - RoHS



Information for users: Disposal (RAEE Directive)

Warning! Do not use an ordinary dustbin to dispose of this equipment.

Used electrical and electronic equipment must be treated separately, in accordance with the relative legislation which requires the proper treatment, recovery and recycling of used electrical and electronic equipment.

Following the implementation of directives in member states, private households within the EU may return their used electrical and electronic equipment to designated collection facilities free of charge. Local retailers may also accept used products free of charge if a similar product is purchased from them.*

If used electrical or electronic equipment has batteries or accumulators, these must be disposed of separately according to local provisions.

Correct disposal of this product guarantees it undergoes the necessary treatment, recovery and recycling. This prevents any potential negative effects on both the environment and public health which may arise through the inappropriate handling of waste.

** Please contact your local authority for further details.*

Installation of these systems must be carried out strictly in accordance with the instructions described in this manual, and in compliance with the local laws and bylaws in force. ergo series have been designed and made with the highest standards of quality and performance adopted by Ksenia Security. It is recommended that the installed system should be completely tested at least once a month. Test procedures depend on the system configuration. Ask the installer for the procedures to be followed. Ksenia Security srl shall not be responsible for damage arising from improper installation or maintenance by unauthorized personnel. The content of this guide can change without prior notice from KSENIA SECURITY.

