

SIGMA SI

Extinguishant Status Indicators

Features

- ▶ Certified compliant with BS EN12094-1 when used with Sigma XT control equipment
- ▶ High brightness LEDs
- ▶ Detailed indication of the status of the control panel
- ▶ Monitored data connection
- ▶ Countdown timer shows time remaining until release
- ▶ Manual only and Automatic & Manual mode select keyswitch option
- ▶ Four wire connection (data and power)
- ▶ Protected dual action manual release switch option
- ▶ Option for zonal fire and common fault indication with buzzer
- ▶ Robust, high quality enclosure
- ▶ Easy access to terminals
- ▶ Remote Auto/Manual door interlock input (monitored)
- ▶ Remote Hold input (monitored)
- ▶ Internal fault diagnosis indicators
- ▶ Weatherproof IP65 versions available
- ▶ Internal buzzer



Description

The industry leading Sigma XT extinguishant releasing panel, installed extensively in thousands of premises globally, offers outstanding value and performance for all small to medium fixed firefighting installations.

With three detection zones as standard, extinguishant release can be configured to activate from any combination of detection zone inputs.

Sigma XT panels are both robust and easy to install having all the electronics mounted on a single, easily removable, steel plate.



Model No. K91100M8



Model No. K91110M8



Model No. K91111M8



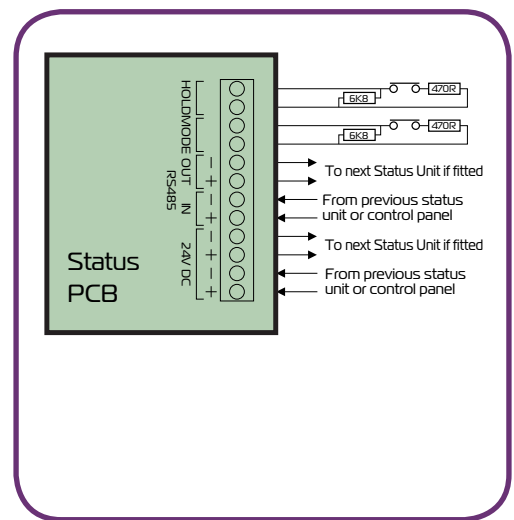
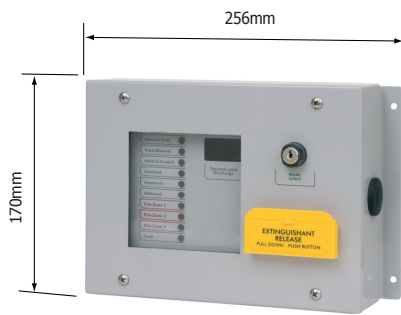
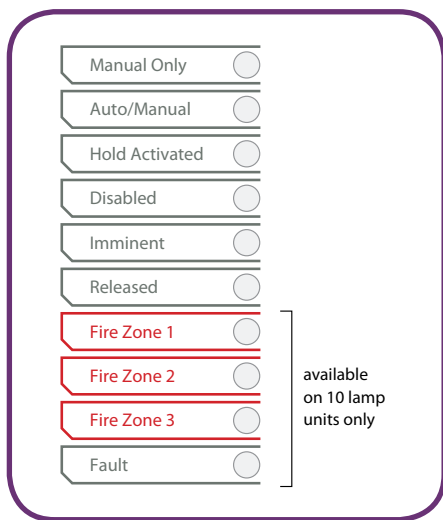
Model No. K91113M8



Model No. K91101M8

Specification

Construction	1.2mm mild sheet steel
IP rating (standard box)	IP30
IP rating (waterproof unit)	IP65
Colour - lid & box	BS 00 A 05 grey - fine texture
Weight	1kg (all units)
Power supply	21 to 30 V DC
Maximum current draw	0.07A
Max. number of status units	7
Quiescent current	0.033A
Cable capacity	2.5mm ² per terminal
Monitored inputs end of line resistor	6K8 0.5W Resistor
Monitored inputs normal threshold	8K ohm to 1K ohm
Monitored inputs trigger threshold	700 ohms to 100 ohms
Monitored inputs	99 ohms to 0 ohms
Short circuit threshold data connection	Two wire RS485 connection (max 1200 metres)



Equipment

Product Code	Description	Size
K911000M8	6 lamp status unit surface	190 x 136 x 50
K911100M8	6 lamp status unit with mode select keyswitch surface	190 x 136 x 50
K911010M8	6 lamp status unit with manual release surface	190 x 136 x 50
K911110M8	6 lamp status unit with mode select keyswitch and manual release surface	190 x 136 x 50
W911113M8*	10 lamp status unit with mode select keyswitch and manual release surface	190 x 136 x 50
W911000W8	IP65 - 6 lamp status unit surface	256 x 170 x 60
W911100W8	IP65 - 6 lamp status unit with mode select keyswitch surface	256 x 170 x 60
W911110W8	IP65 - 6 lamp status unit with mode select keyswitch and manual release surface	256 x 170 x 60
W911113W8*	IP65 - 10 lamp status unit with mode select keyswitch and manual release surface	256 x 170 x 60

*Not suitable for Sigma XT+, Syncro XT+, Sigma XT+ and ECU products

Datasheet DS41/12/17

For further information visit www.kentec.co.uk

Kentec Electronics Ltd. reserves the right to alter the specification of its products from time to time without notice. Although every effort has been made to ensure the accuracy of the information contained in this document it is not warranted or represented by Kentec Electronics Ltd. to be a complete and up-to-date description.